



US00D827505S

(12) **United States Design Patent** (10) **Patent No.:** **US D827,505 S**
Tsukui et al. (45) **Date of Patent:** **** Sep. 4, 2018**

(54) **FRONT COWL FOR A MOTORCYCLE**

(71) Applicant: **HONDA MOTOR CO., LTD.**, Tokyo (JP)

(72) Inventors: **Hiroaki Tsukui**, Wako (JP); **Takashi Watanabe**, Wako (JP)

(73) Assignee: **HONDA MOTOR CO., LTD.**, Tokyo (JP)

(**) Term: **15 Years**

(21) Appl. No.: **29/618,300**

(22) Filed: **Sep. 20, 2017**

(30) **Foreign Application Priority Data**

Mar. 24, 2017 (JP) 2017-006042

(51) **LOC (11) Cl.** **12-11**

(52) **U.S. Cl.**
USPC **D12/126; D12/182**

(58) **Field of Classification Search**
USPC D12/110, 114, 126, 182, 184, 186
CPC ... B62J 17/00; B62J 17/02; B62J 17/04; B62J 23/00; B62K 11/00; B62K 11/02; B62K 11/04

See application file for complete search history.

(56) **References Cited**

U.S. PATENT DOCUMENTS

- D283,021 S * 3/1986 Abe D12/182
- D314,740 S * 2/1991 Abe D12/182
- D496,613 S * 9/2004 Everitt D12/182
- D499,993 S * 12/2004 Otsubo D12/182
- D515,485 S * 2/2006 Sawabe D12/182
- D522,415 S * 6/2006 Tanaka D12/126
- D533,490 S * 12/2006 Tsukasaki D12/182
- D538,213 S * 3/2007 Fukuyama D12/182

- D545,738 S * 7/2007 Tako D12/182
- D575,209 S * 8/2008 Sawabe D12/182
- D596,094 S * 7/2009 Fukuyama D12/182
- 8,006,791 B2 * 8/2011 Nakagome B62J 17/02
180/219
- 8,123,273 B2 * 2/2012 Tsuda B62J 17/04
296/180.1
- D689,411 S * 9/2013 Tsukui D12/126
- D690,626 S * 10/2013 Katagiri D12/126
- D690,627 S * 10/2013 Tsukui D12/126
- D694,157 S * 11/2013 Katagiri D12/126
- 8,631,888 B2 * 1/2014 Iida B62K 11/04
180/68.1
- D702,166 S * 4/2014 Deluy D12/186
- D733,011 S * 6/2015 Nishimoto D12/126
- D744,908 S * 12/2015 Shibuta D12/114

(Continued)

Primary Examiner — Darlington Ly

(74) *Attorney, Agent, or Firm* — Birch, Stewart, Kolasch & Birch, LLP

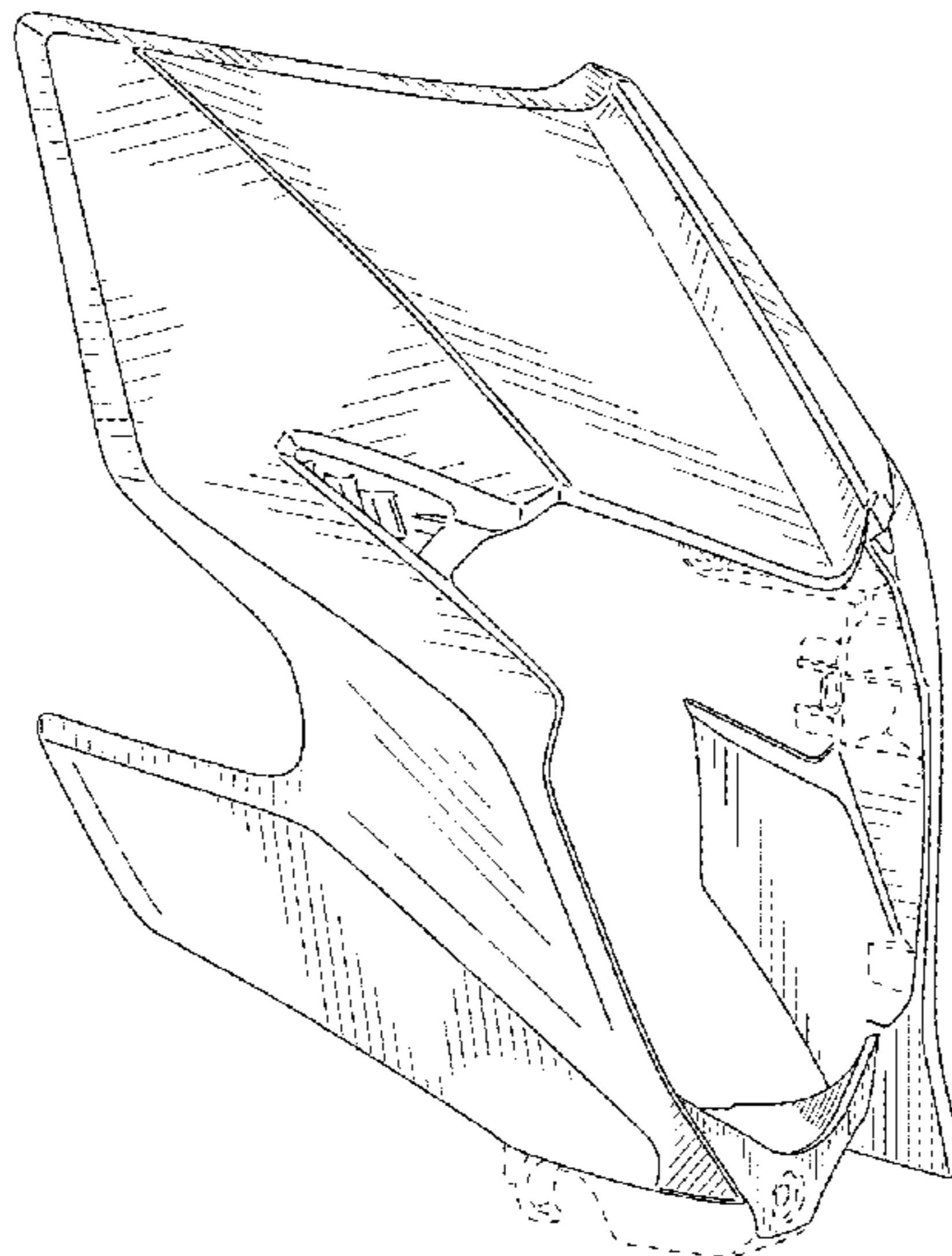
(57) **CLAIM**

The ornamental design for a front cowl for a motorcycle, as shown and described.

DESCRIPTION

FIG. 1 is a front and right side perspective view of a front cowl for a motorcycle showing our new design;
 FIG. 2 is a front elevation view thereof;
 FIG. 3 is a top plan view thereof;
 FIG. 4 is a right side elevation view thereof;
 FIG. 5 is a left side elevation view thereof;
 FIG. 6 is a bottom plan view thereof;
 FIG. 7 is a front and left side perspective view thereof; and,
 FIG. 8 is a front and right side perspective view thereof when installed on the front of an exemplary motorcycle.
 The broken lines illustrate portions of the front cowl and environmental structure of a motorcycle that form no part of the claimed design.

1 Claim, 8 Drawing Sheets



(56)

References Cited

U.S. PATENT DOCUMENTS

D746,741 S *	1/2016	Futamata	D12/182
D776,017 S *	1/2017	Takigawa	D12/114
D777,611 S *	1/2017	Griffin	D12/114
D781,755 S *	3/2017	Watanabe	D12/114
D786,141 S *	5/2017	Tachibana	D12/114
D795,750 S *	8/2017	Futamata	D12/114
D803,106 S *	11/2017	Tsuji	D12/126
D803,107 S *	11/2017	Petersson	D12/126

* cited by examiner

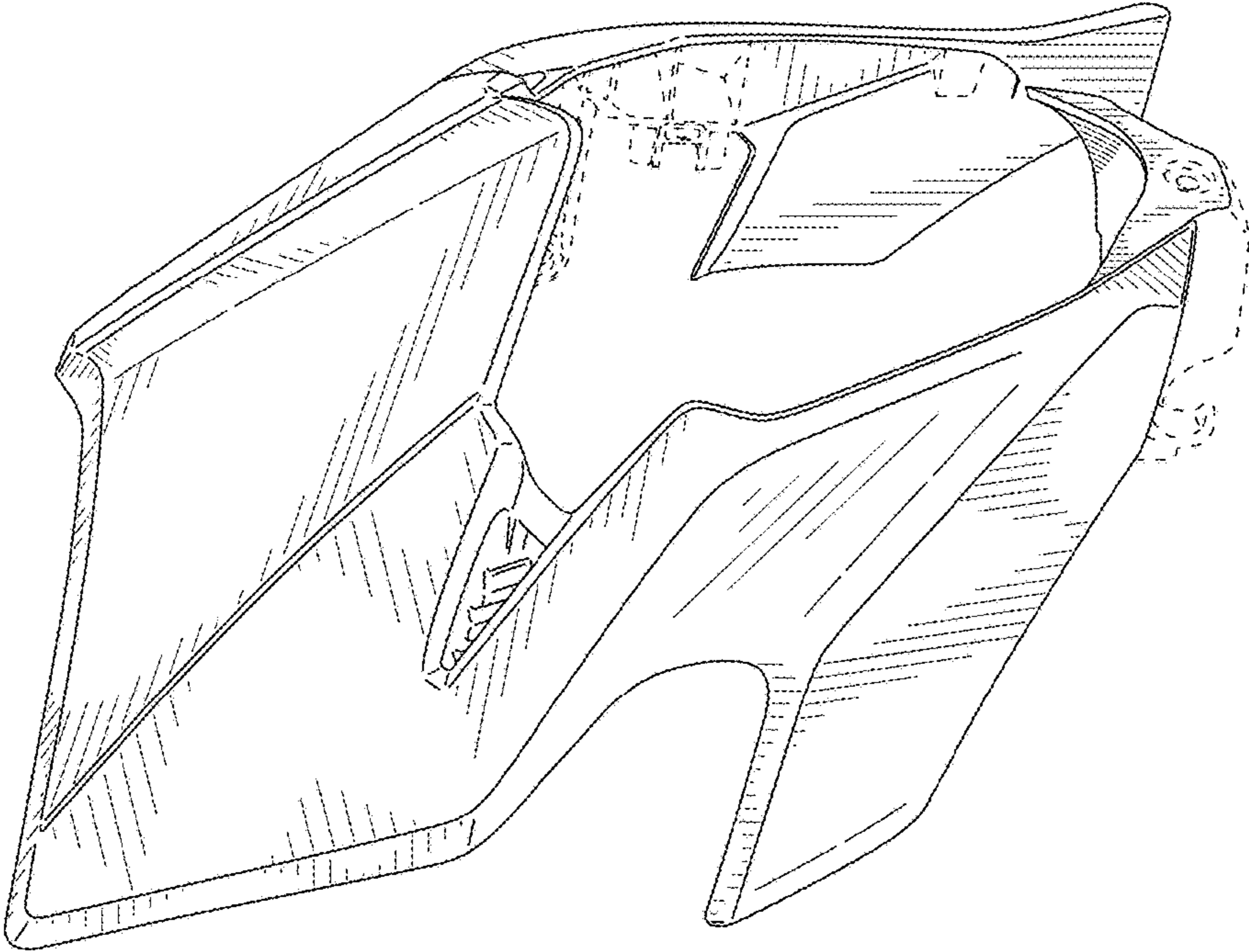


FIG. 1

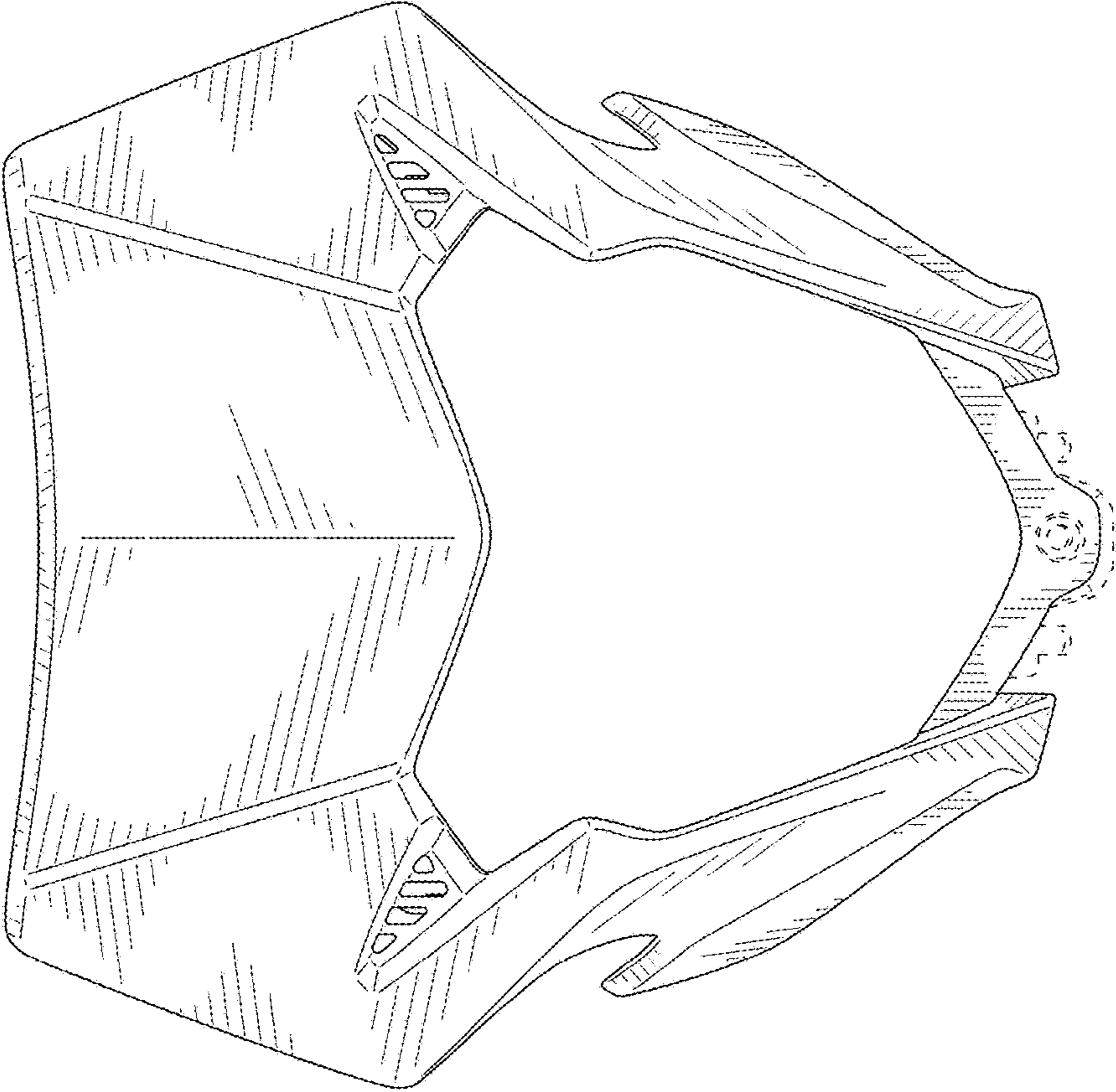


FIG. 2

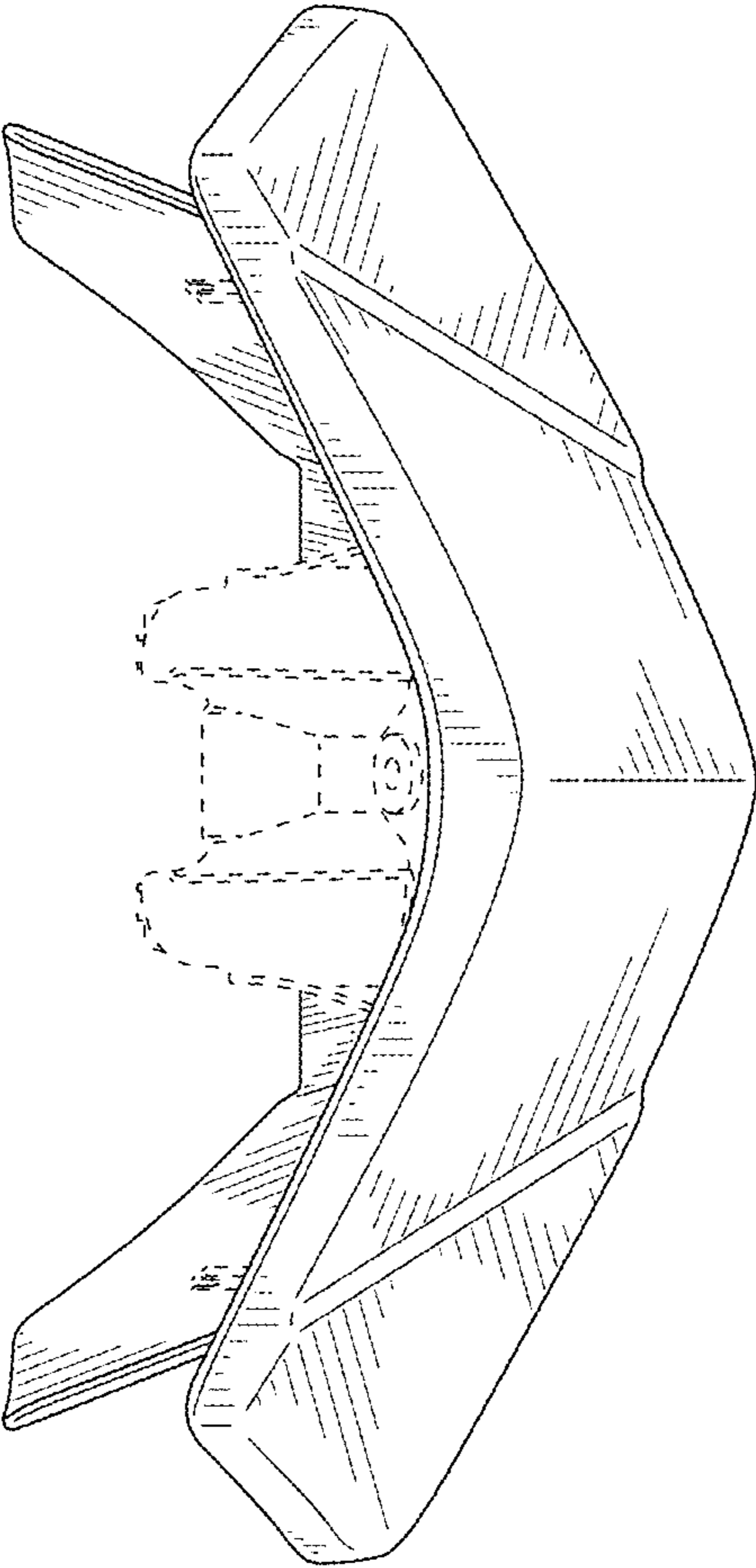


FIG. 3

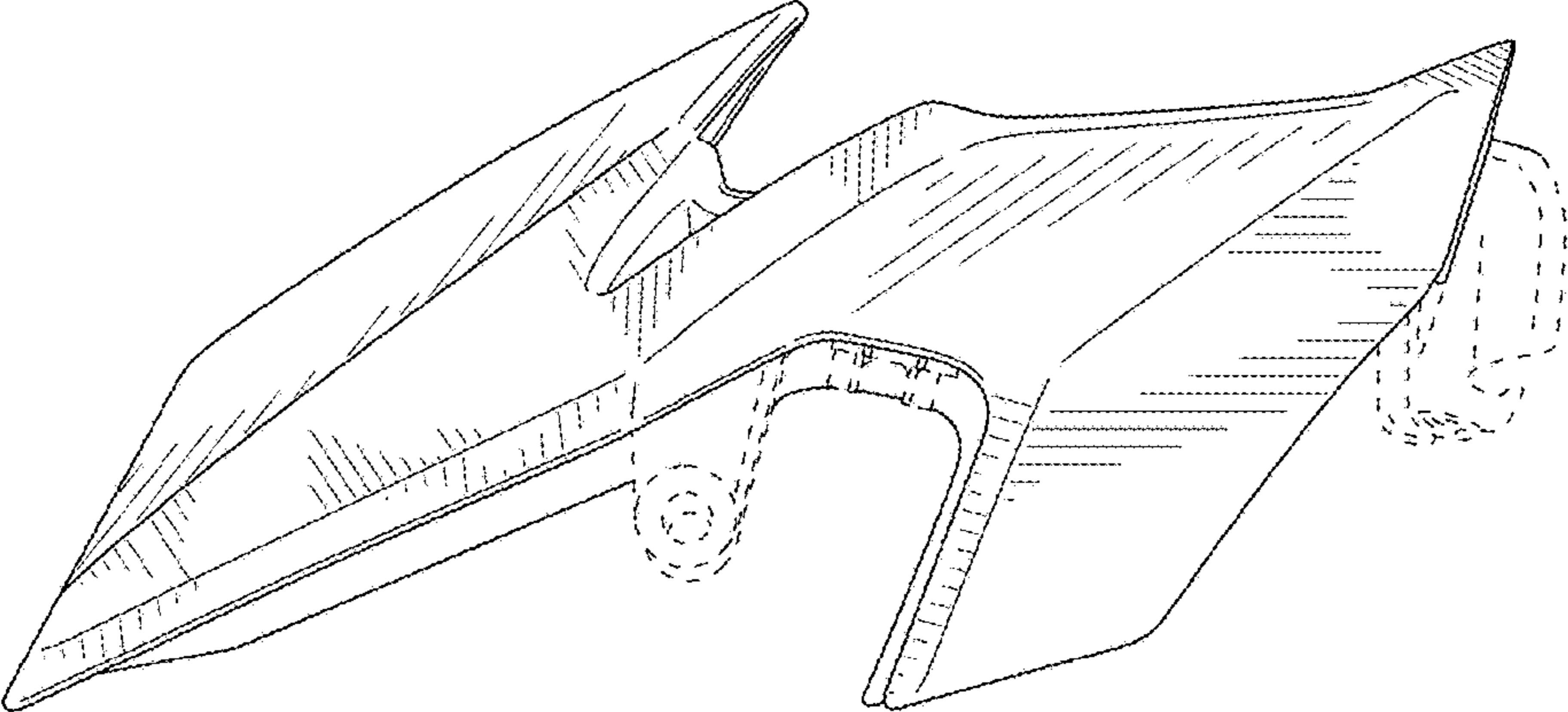


FIG. 4

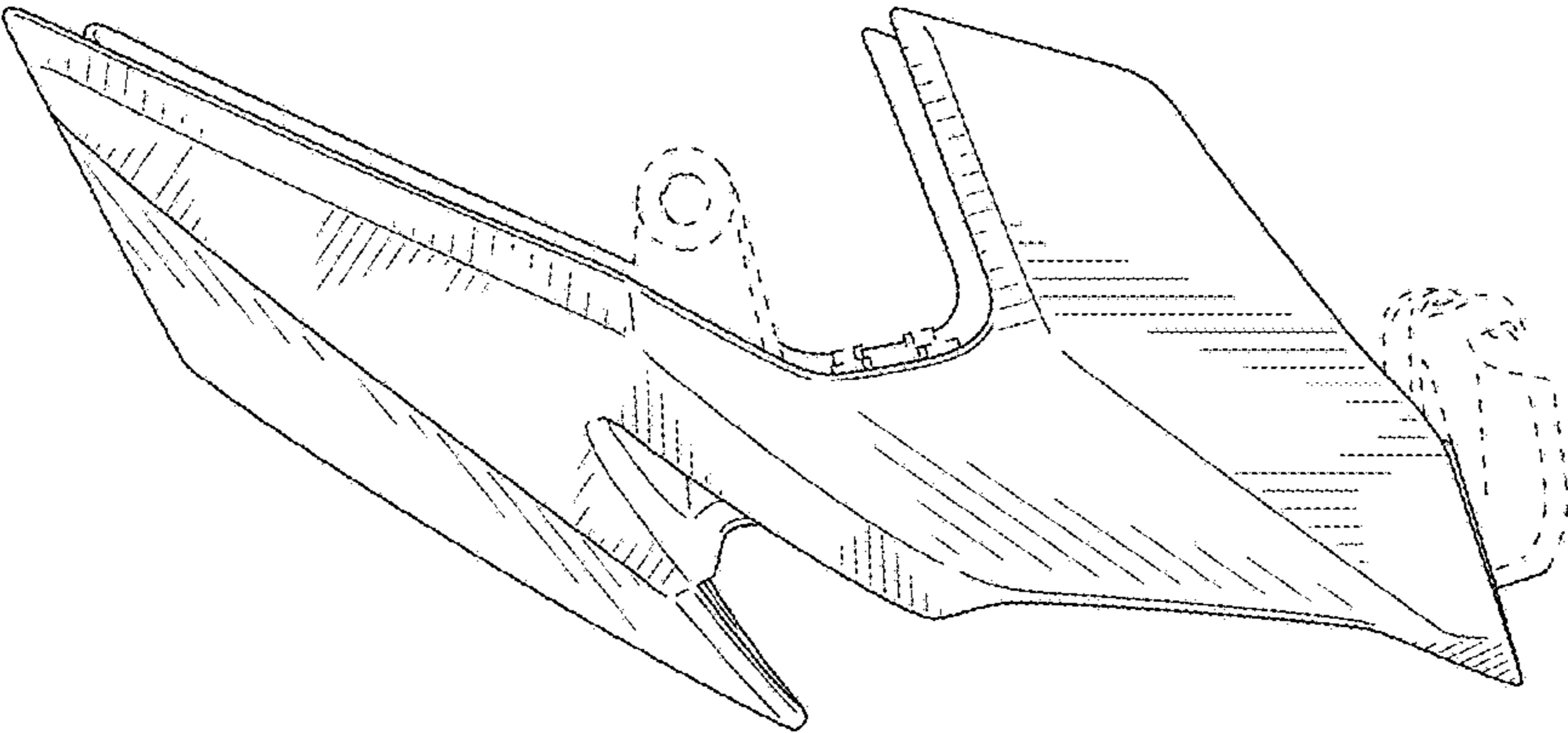


FIG. 5

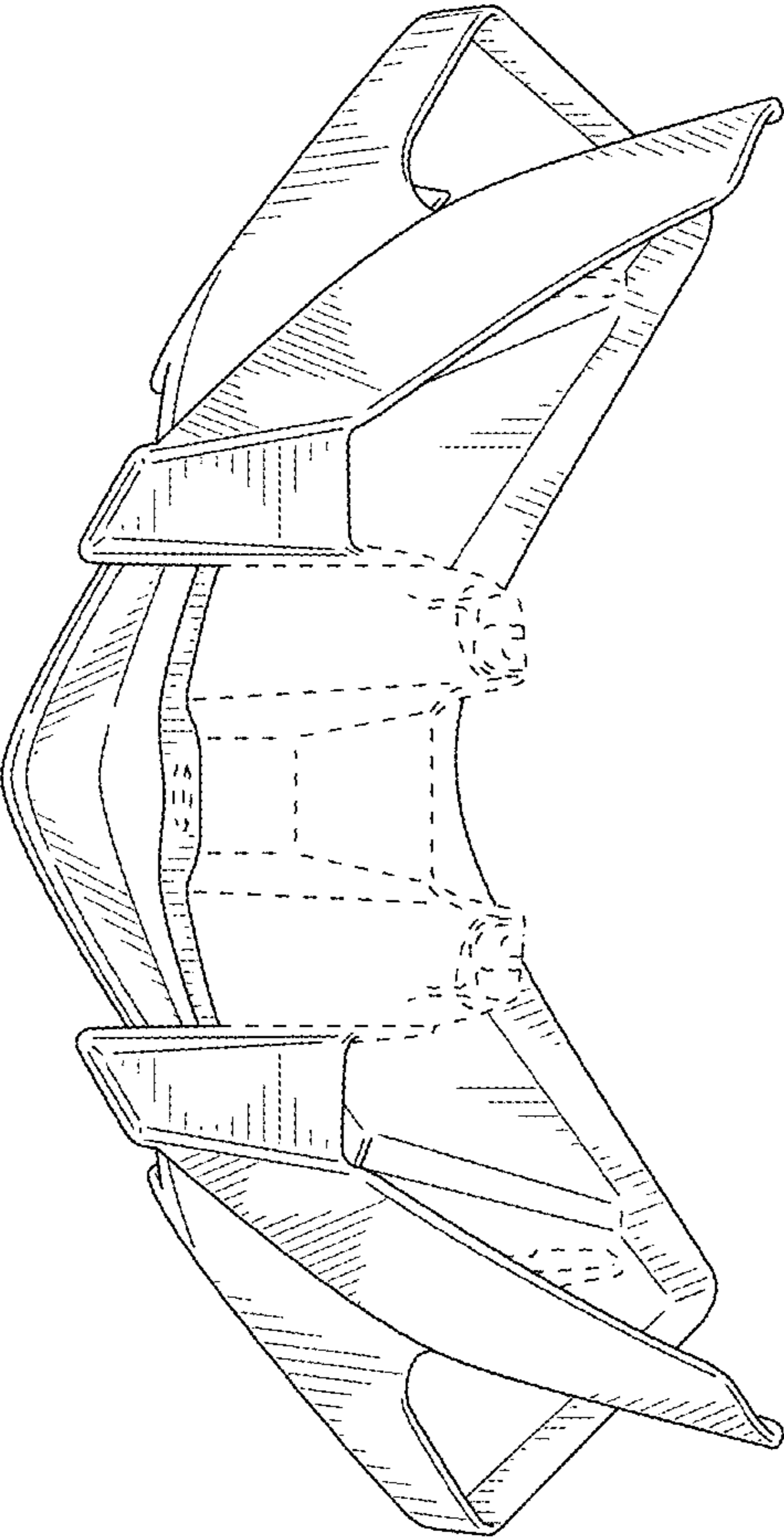


FIG. 6

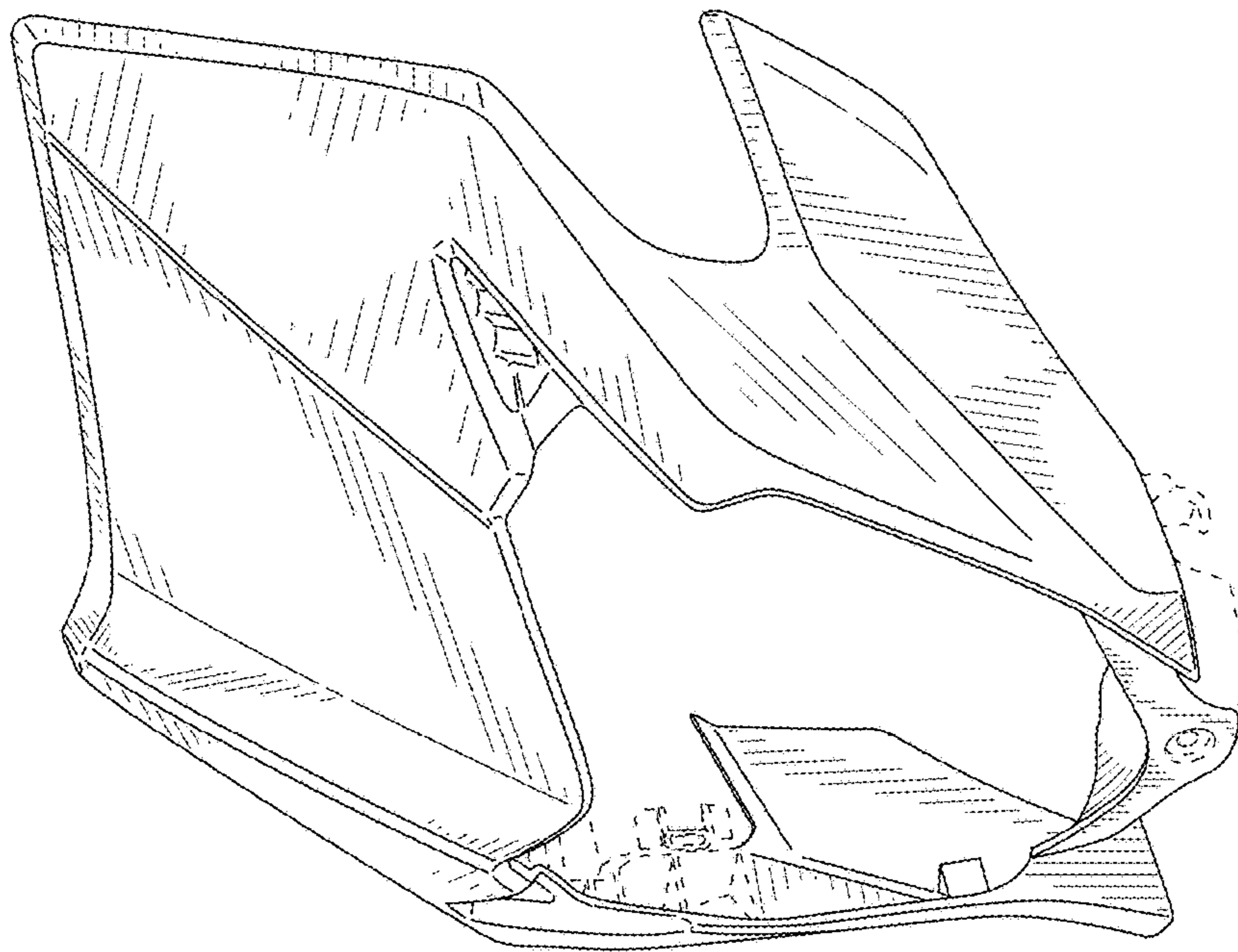


FIG. 7

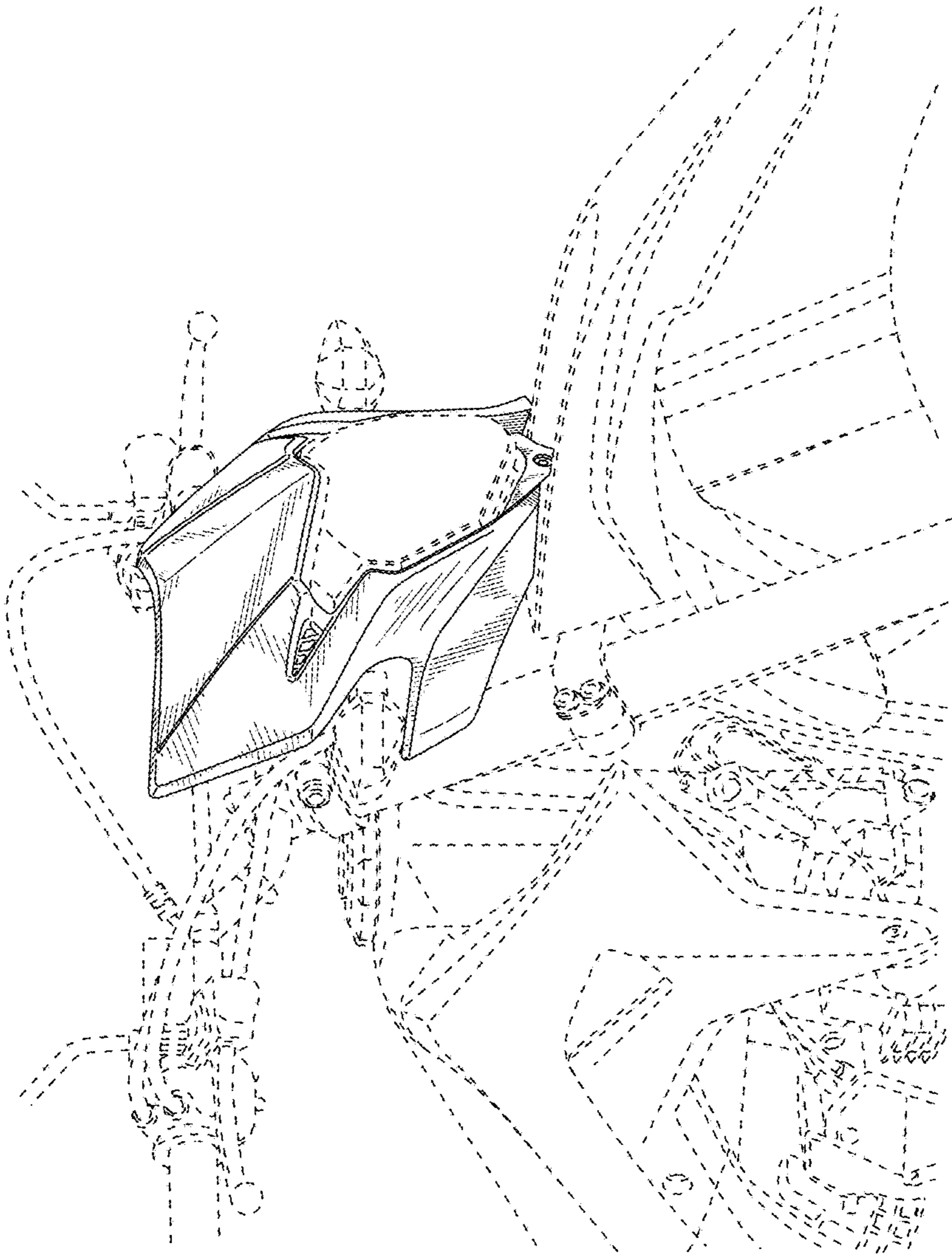


FIG. 8