



US00D827504S

(12) **United States Design Patent** (10) **Patent No.:** **US D827,504 S**
Calendrille, Jr. (45) **Date of Patent:** **** Sep. 4, 2018**

(54) **REAR DERAILLEUR**
 (71) Applicant: **The Cycle Group**, Anaheim, CA (US)
 (72) Inventor: **John Calendrille, Jr.**, Port Jefferson, NY (US)
 (73) Assignee: **The Cycle Group**, Anaheim, CA (US)
 (**) Term: **15 Years**
 (21) Appl. No.: **29/599,072**
 (22) Filed: **Mar. 30, 2017**
 (51) **LOC (11) Cl.** **12-11**
 (52) **U.S. Cl.**
 USPC **D12/124**
 (58) **Field of Classification Search**
 USPC D12/111, 124
 See application file for complete search history.

6,416,434 B1 1/2002 Calendrille
 D533,482 S * 12/2006 Hanamura D12/124
 D534,102 S 12/2006 Arakawa
 D534,103 S * 12/2006 Arakawa D12/124
 D536,282 S * 2/2007 Masui D12/124
 D550,128 S * 9/2007 Tokumoto D12/124
 D551,131 S * 9/2007 Arakawa D12/124
 D555,547 S 11/2007 Takumoto
 D575,202 S * 8/2008 Hanamura D12/124
 D580,304 S * 11/2008 Okada D12/124
 D581,321 S * 11/2008 Pang D12/124
 D617,690 S * 6/2010 Tokumoto D12/124
 D675,963 S * 2/2013 Noborio D12/124
 2007/0021247 A1 * 1/2007 Bohm B62M 9/1242
 474/82
 2011/0160013 A1 * 6/2011 Wehage B62M 9/1244
 474/80

(Continued)

Primary Examiner — Patricia A Palasik
 (74) *Attorney, Agent, or Firm* — Matthew J. Spark; Stefan J. Kirchanski; Zuber Lawler & Del Duca LLP

(57) **CLAIM**

The ornamental design for a rear derailleur, as shown and described.

DESCRIPTION

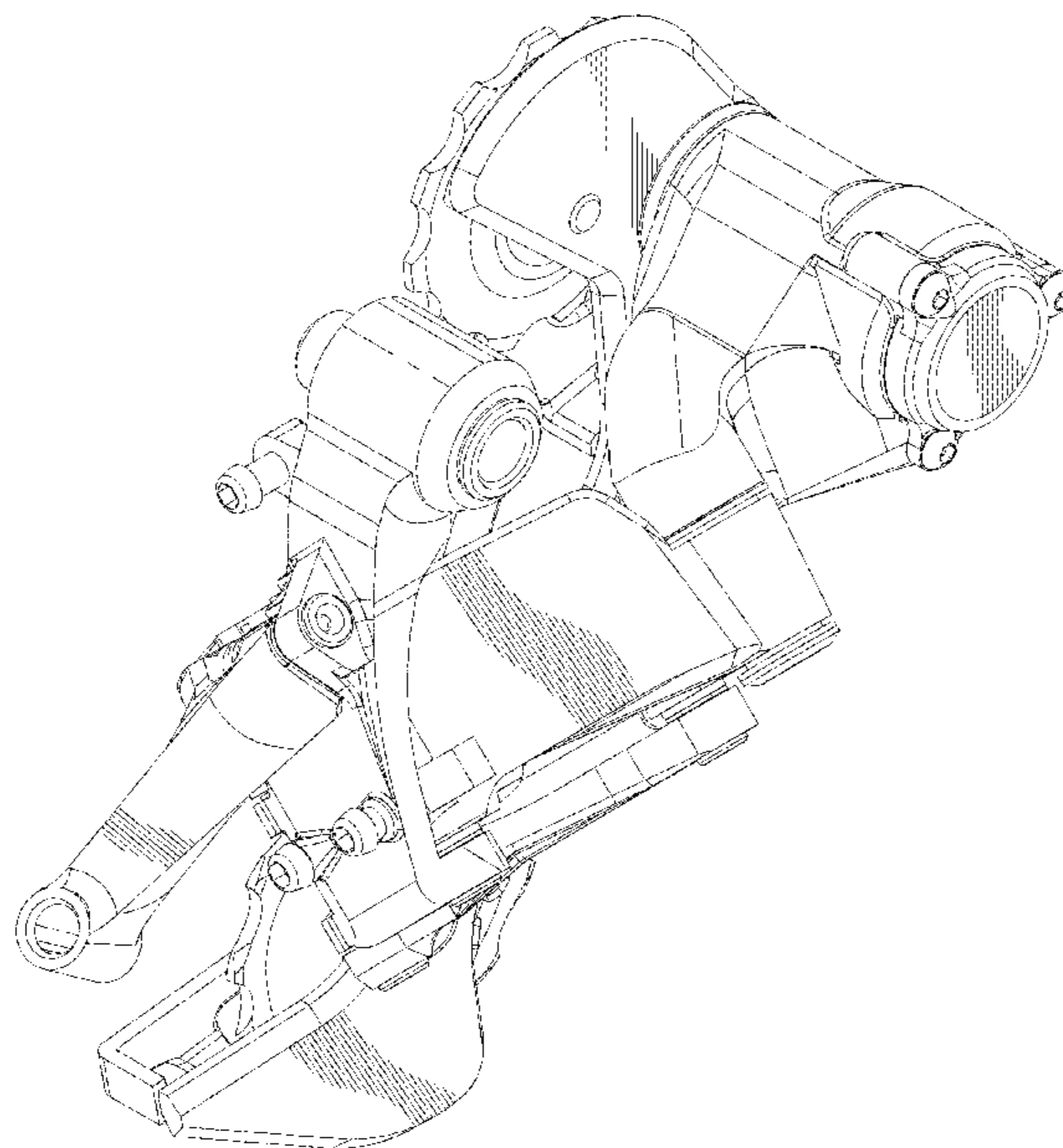
FIG. 1 is a top, rear, right perspective view of a rear derailleur embodying the invention;
 FIG. 2 is a bottom, front, left perspective view of the rear derailleur of FIG. 1;
 FIG. 3 is right side view of the rear derailleur of FIG. 1;
 FIG. 4 is a left side view of the rear derailleur of FIG. 1;
 FIG. 5 is a rear side view of the rear derailleur of FIG. 1;
 FIG. 6 is front side view of the rear derailleur of FIG. 1;
 FIG. 7 is a top side view of the rear derailleur of FIG. 1; and,
 FIG. 8 is a bottom side view of the rear derailleur of FIG. 1.

1 Claim, 6 Drawing Sheets

(56) **References Cited**

U.S. PATENT DOCUMENTS

D283,415 S * 4/1986 Ishikawa D12/124
 4,637,809 A * 1/1987 Nagano B62M 9/126
 474/80
 4,692,131 A * 9/1987 Nagano B62M 9/1248
 474/80
 D292,503 S * 10/1987 Juy D12/124
 4,842,568 A * 6/1989 Marchigiano B62M 9/1248
 474/80
 D339,770 S * 9/1993 Noami D12/124
 5,624,335 A * 4/1997 Ando B62M 9/1242
 474/80
 D396,205 S * 7/1998 Kojima D12/124
 D432,056 S * 10/2000 Hanamura D12/124
 6,287,228 B1 * 9/2001 Ichida B62M 9/1248
 474/80
 D452,664 S 1/2002 Terasawa



(56)

References Cited

U.S. PATENT DOCUMENTS

2013/0130853 A1* 5/2013 Bohm B62M 9/124
474/80
2013/0281237 A1* 10/2013 Lin B62M 9/124
474/80
2014/0087901 A1* 3/2014 Shipman B62M 9/132
474/82
2015/0111675 A1* 4/2015 Shipman B62M 9/122
474/82
2016/0046352 A1* 2/2016 Shipman B62M 9/126
474/80
2016/0176478 A1* 6/2016 Chang B62M 9/121
474/69
2017/0113759 A1* 4/2017 Watarai B62M 9/122
2017/0113760 A1* 4/2017 Lin B62M 9/125
2017/0174289 A1* 6/2017 Wu B62M 9/1242
2017/0253296 A1* 9/2017 Shipman B62M 9/122
2018/0065708 A1* 3/2018 Shipman B62M 9/132

* cited by examiner

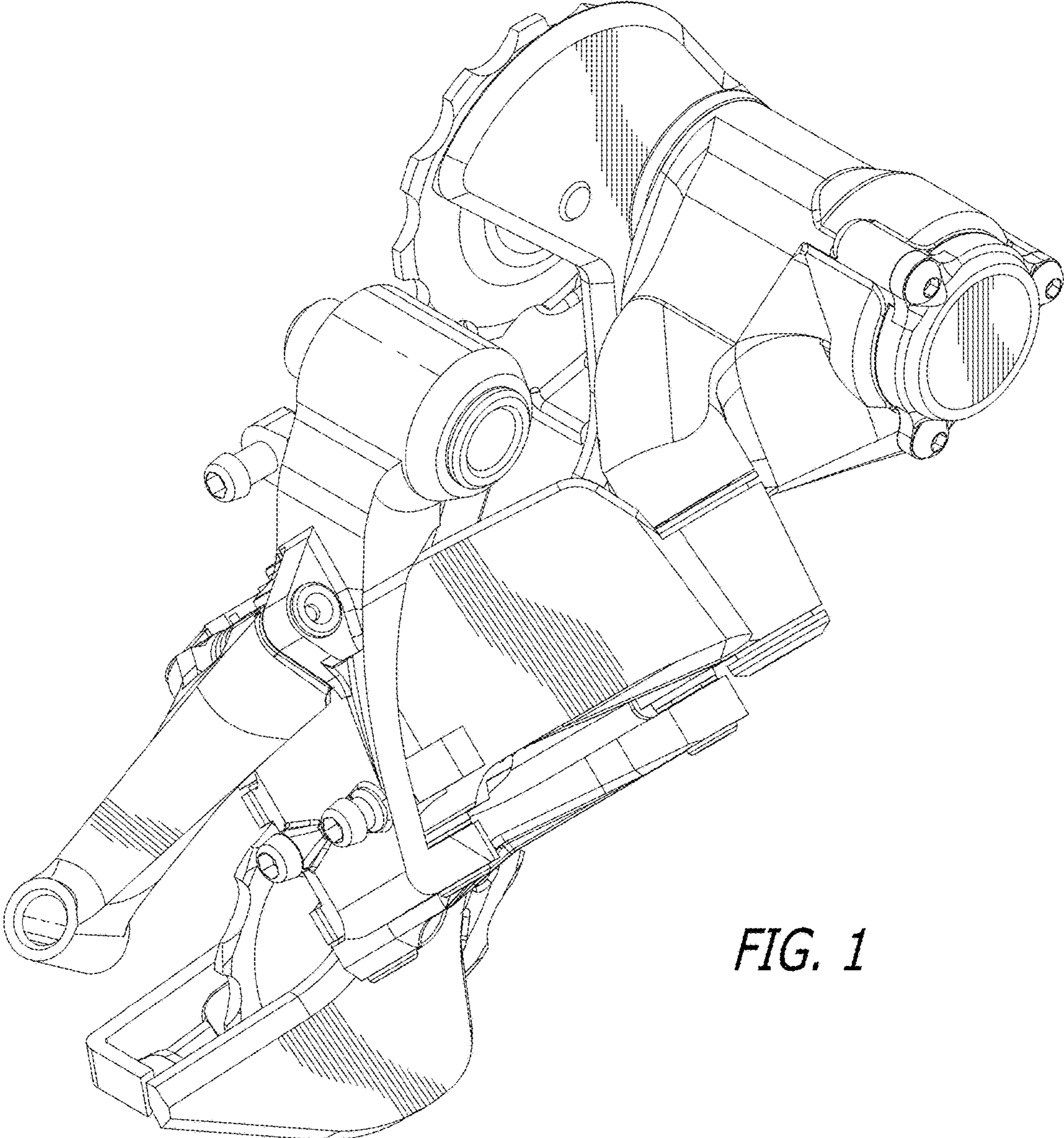


FIG. 1

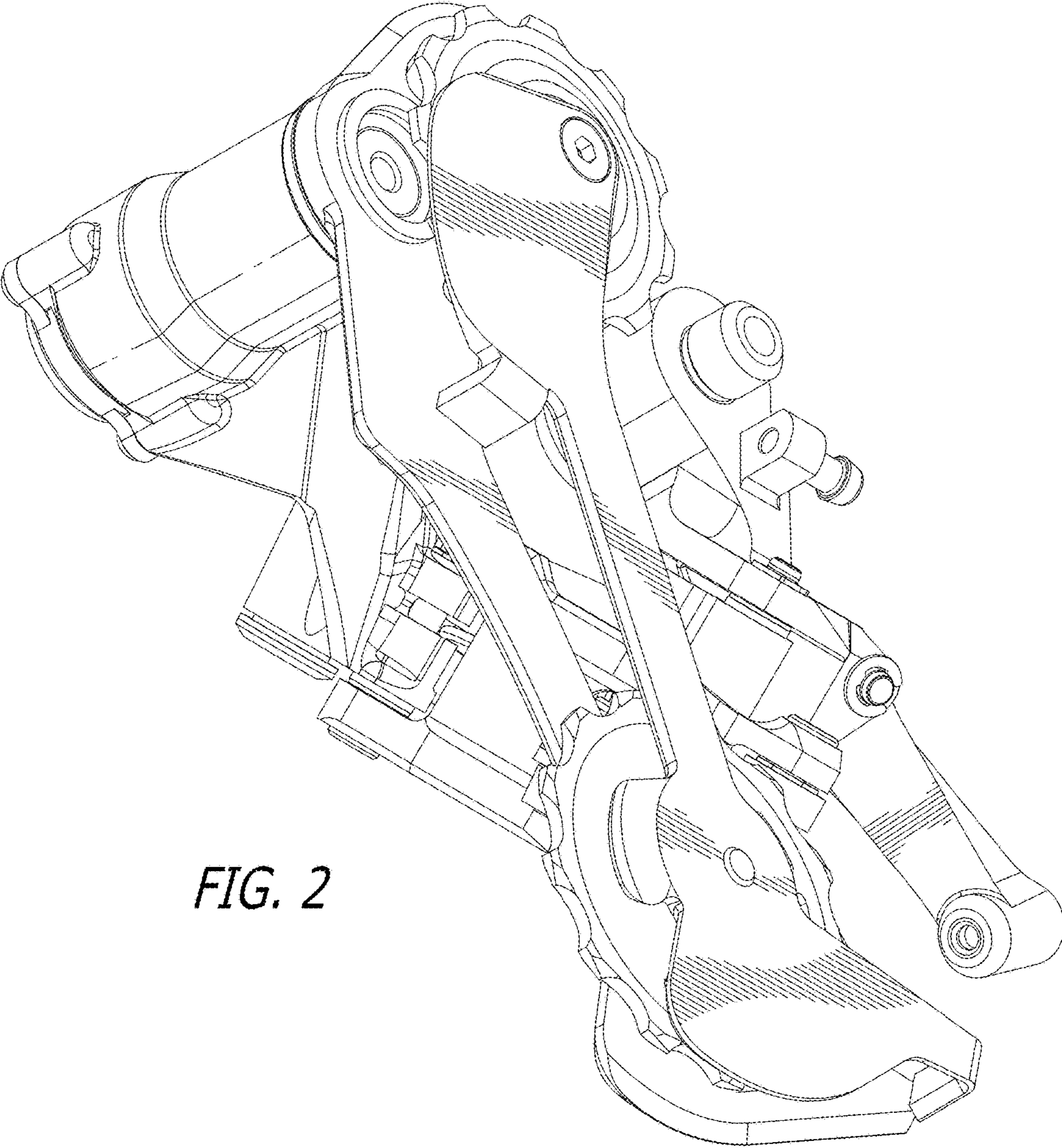
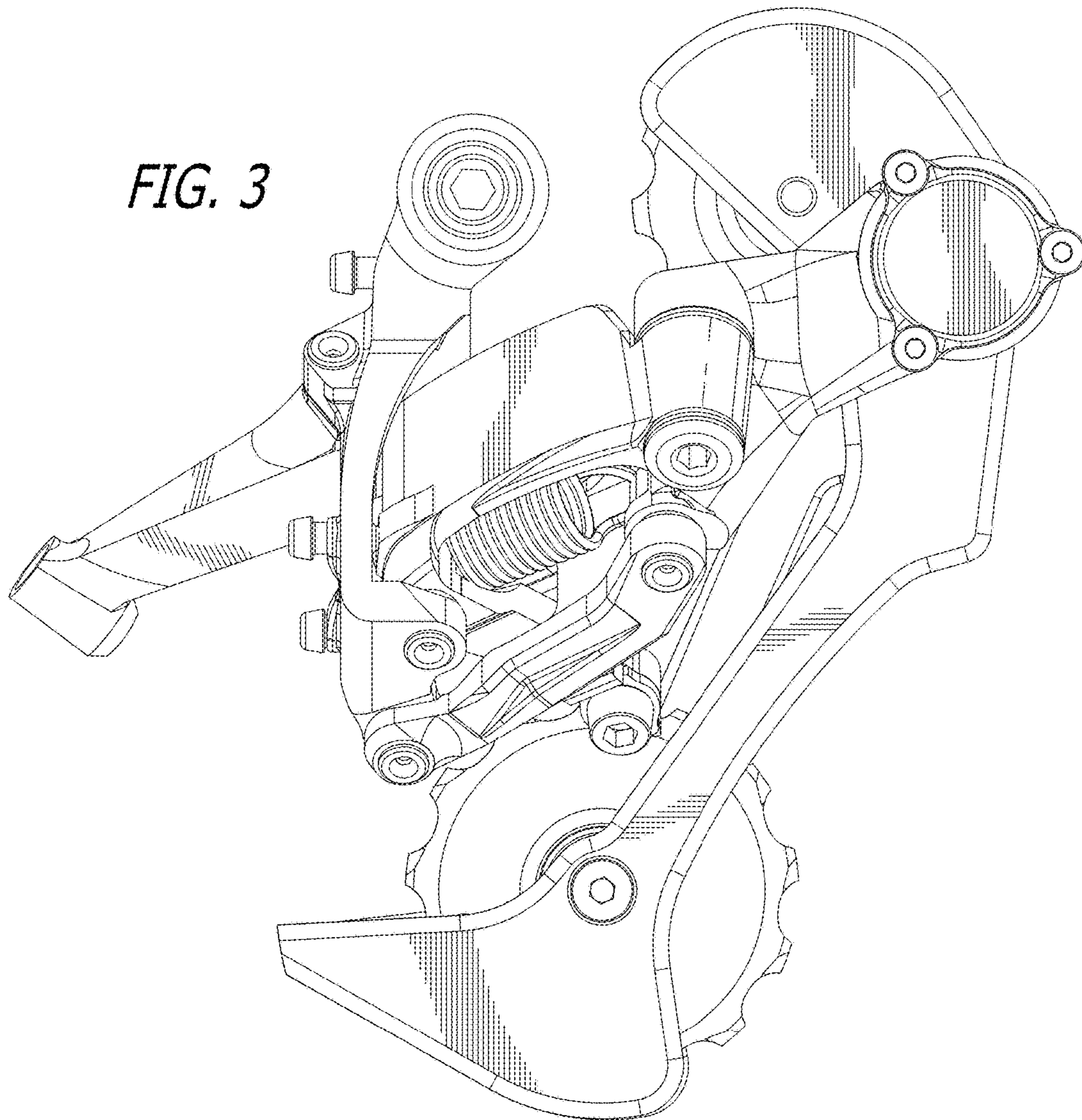


FIG. 2

FIG. 3



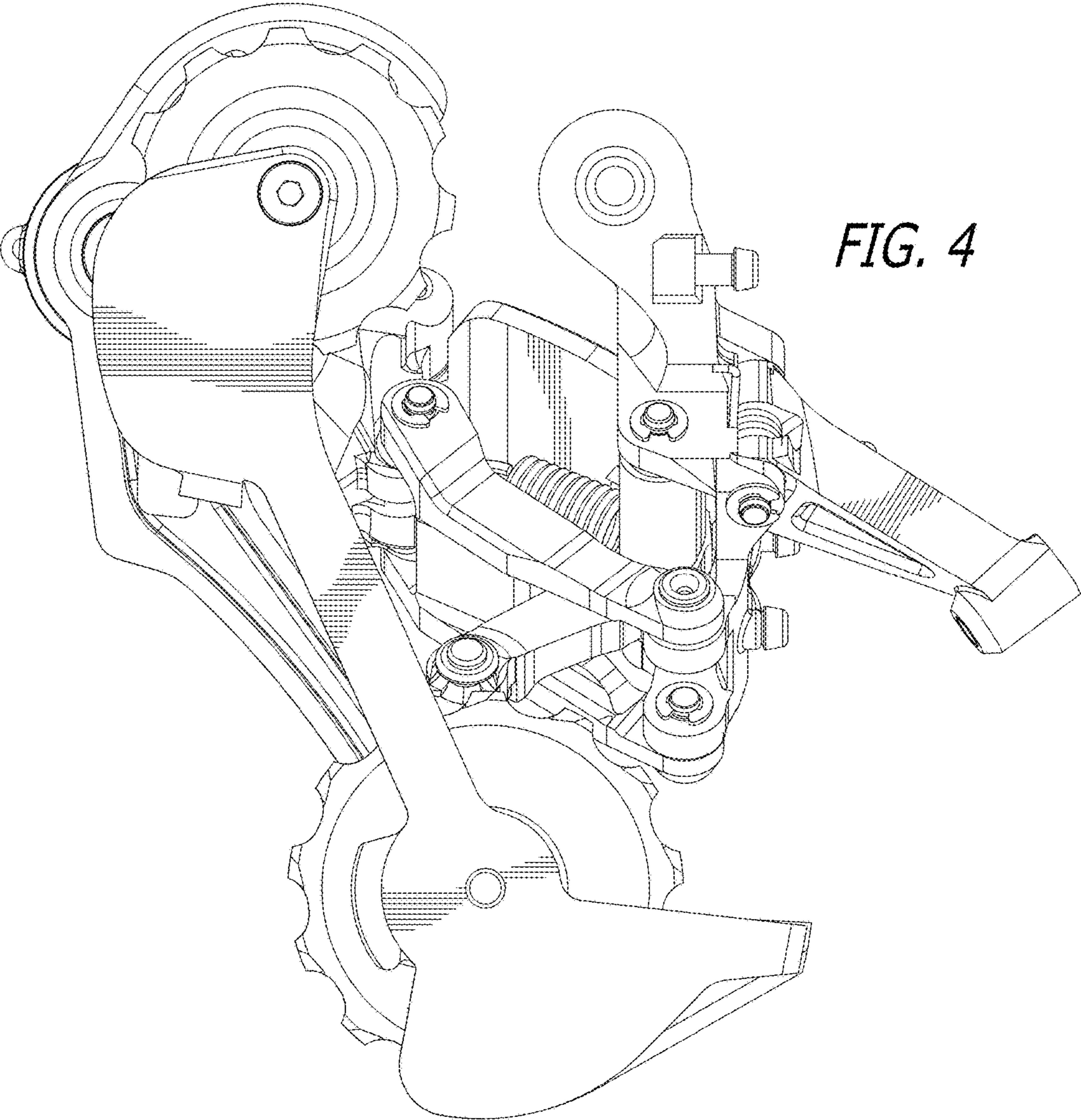


FIG. 4

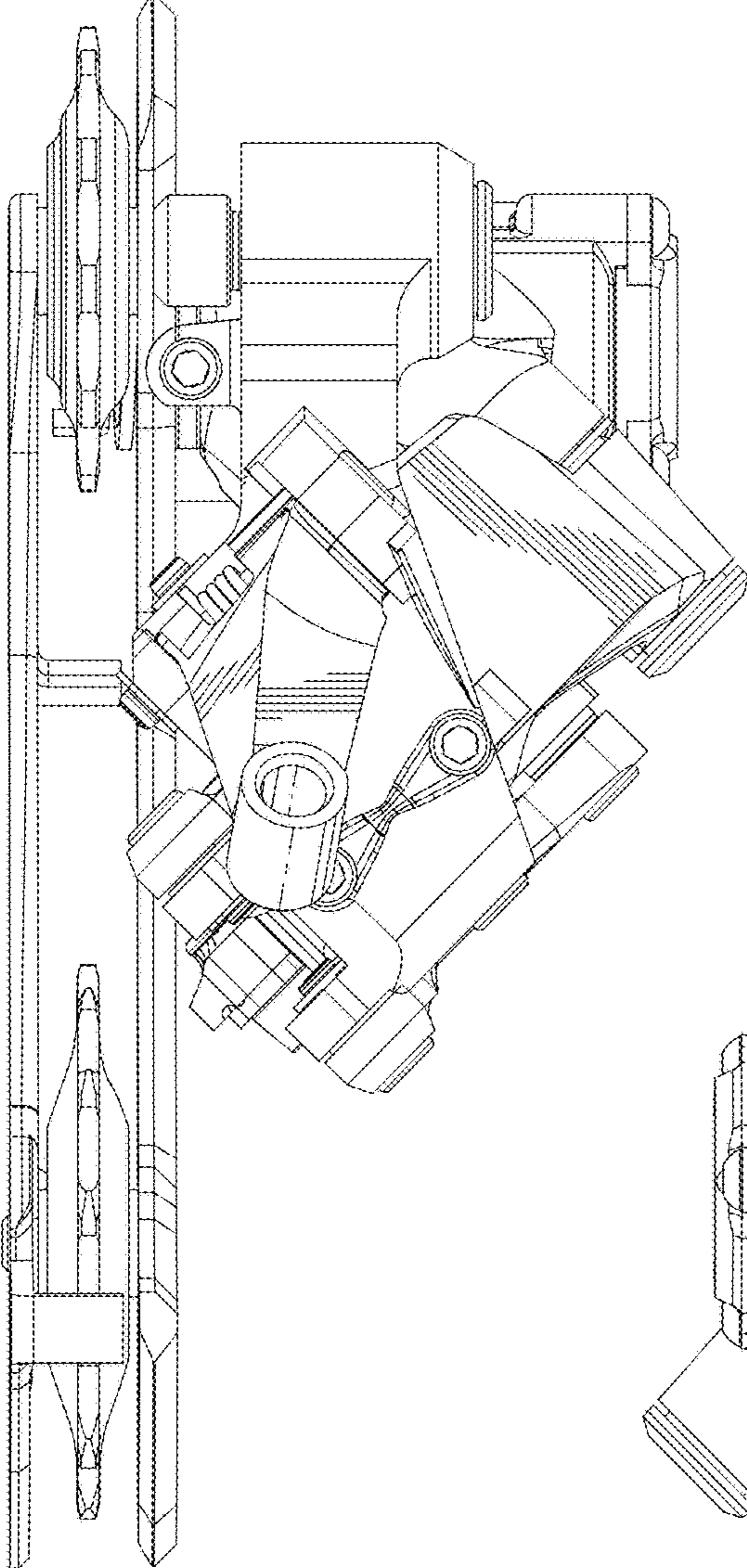


FIG. 5

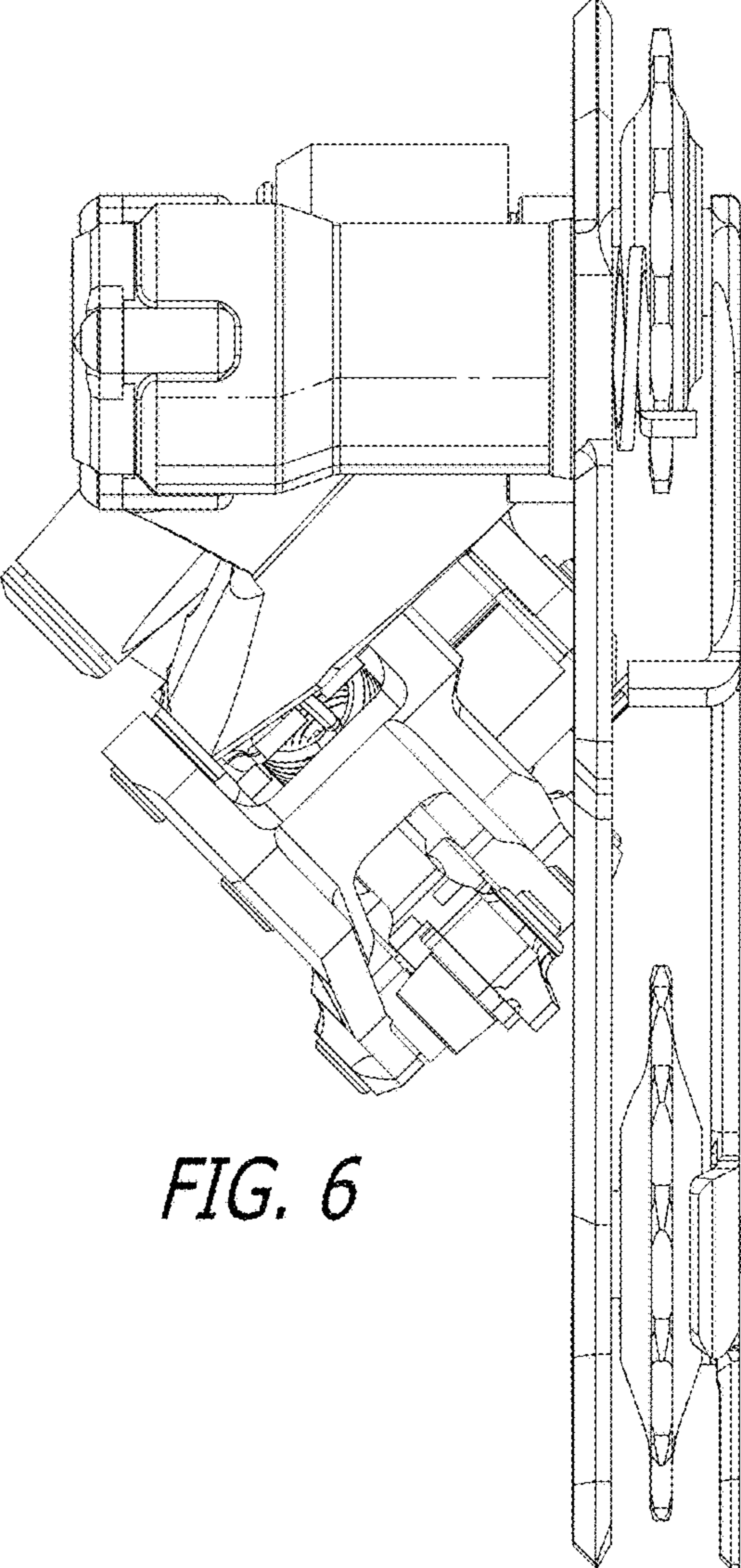


FIG. 6

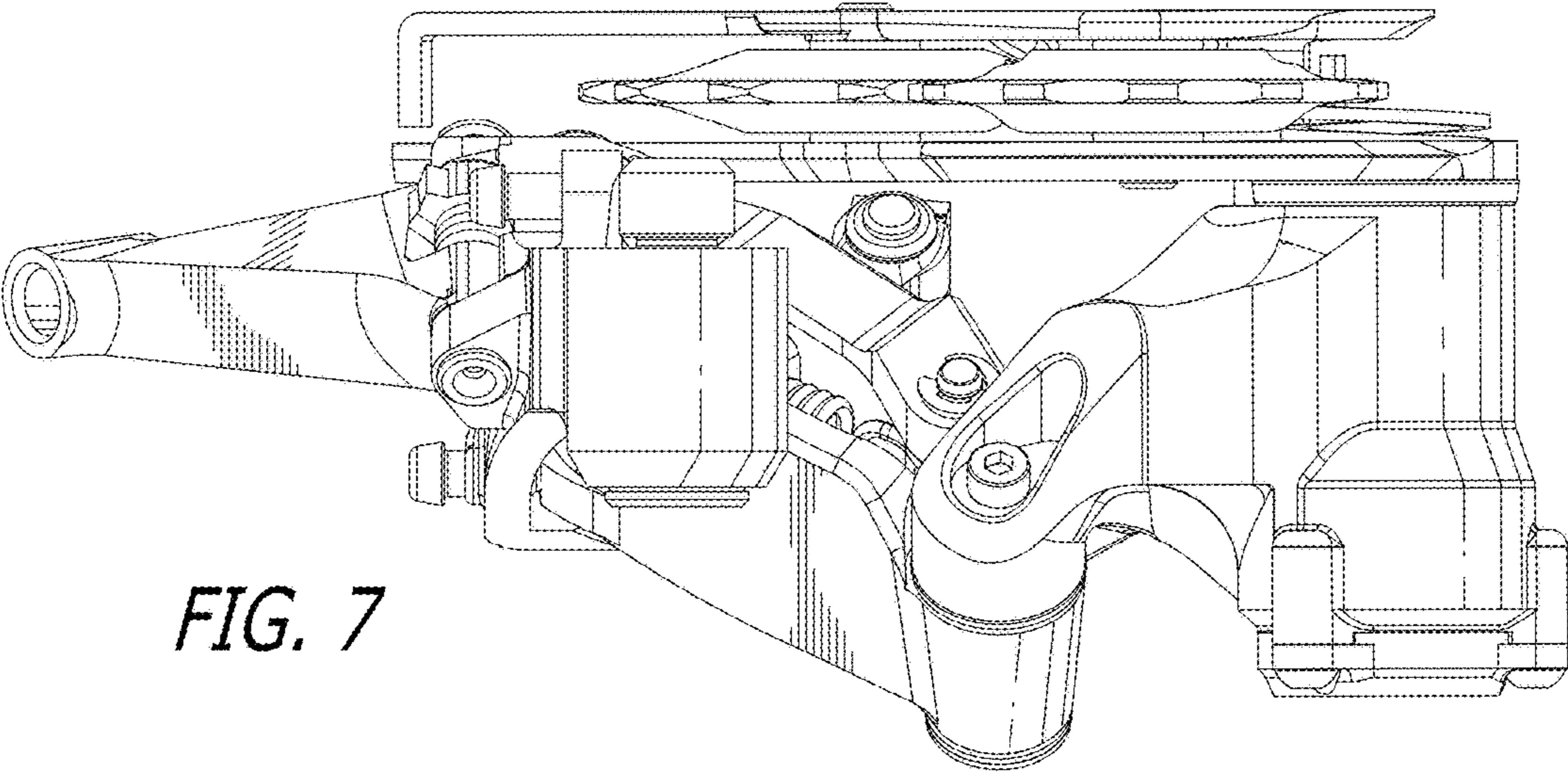


FIG. 7

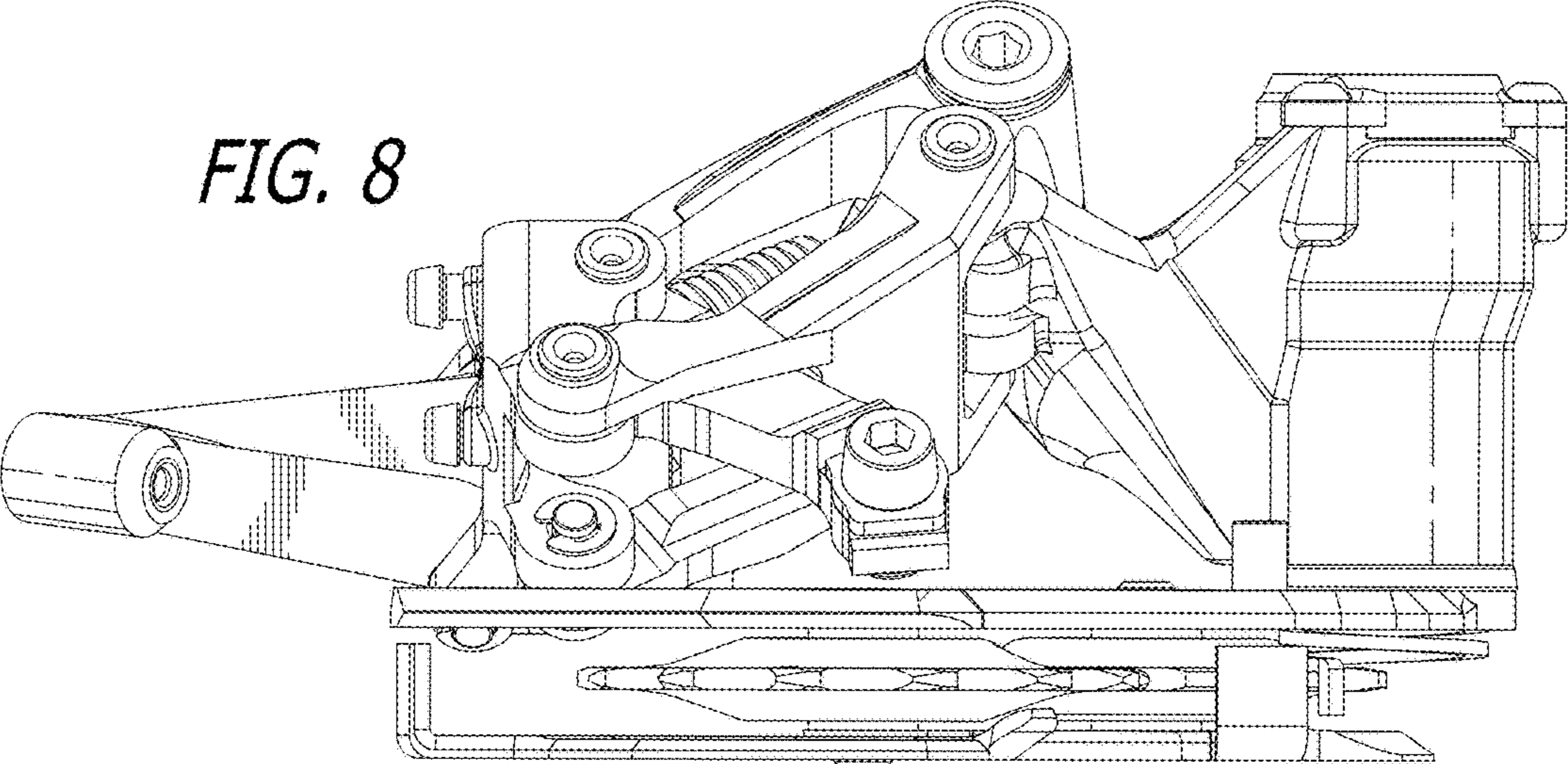


FIG. 8