



US00D827503S

(12) **United States Design Patent** (10) **Patent No.:** **US D827,503 S**
Talios et al. (45) **Date of Patent:** **** Sep. 4, 2018**

(54) **ELECTRIC DRIFTER FENDER** 4,657,270 A 4/1987 Allen et al.
D291,190 S 8/1987 Davis
(71) Applicant: **DYNACRAFT BSC, INC.**, American 4,732,049 A 3/1988 Beny et al.
Canyon, CA (US) D325,367 S * 4/1992 Cottel D12/186
D341,560 S 11/1993 Fabris et al.
(72) Inventors: **Bill Talios**, Petaluma, CA (US); **John** 5,273,478 A 12/1993 Yamasaki
Bisges, Buford, GA (US); **David** 5,497,844 A 3/1996 Fritzing
Castrucci, Napa, CA (US) 5,699,869 A 12/1997 Fritzing et al.
5,714,815 A 2/1998 Fritzing et al.
5,762,533 A 6/1998 Tilbor et al.
(73) Assignee: **Dynacraft BSC, Inc.**, American 5,791,964 A 8/1998 Pohlman
Canyon, CA (US) D409,539 S * 5/1999 Hanlon D12/186
D409,964 S * 5/1999 Hanlon D12/186
D436,560 S 1/2001 Golenz
(**) Term: **15 Years** (Continued)

(21) Appl. No.: **29/599,974**
(22) Filed: **Apr. 7, 2017**
(51) **LOC (11) Cl.** **12-11**
(52) **U.S. Cl.**
USPC **D12/114**
(58) **Field of Classification Search**
USPC D12/114, 186, 117, 126, 113, 112, 1;
D21/426, 433, 435
CPC .. B62J 15/00; B62J 17/02; B62K 5/06; B62K
13/04; B62K 9/02; B62K 21/02
See application file for complete search history.

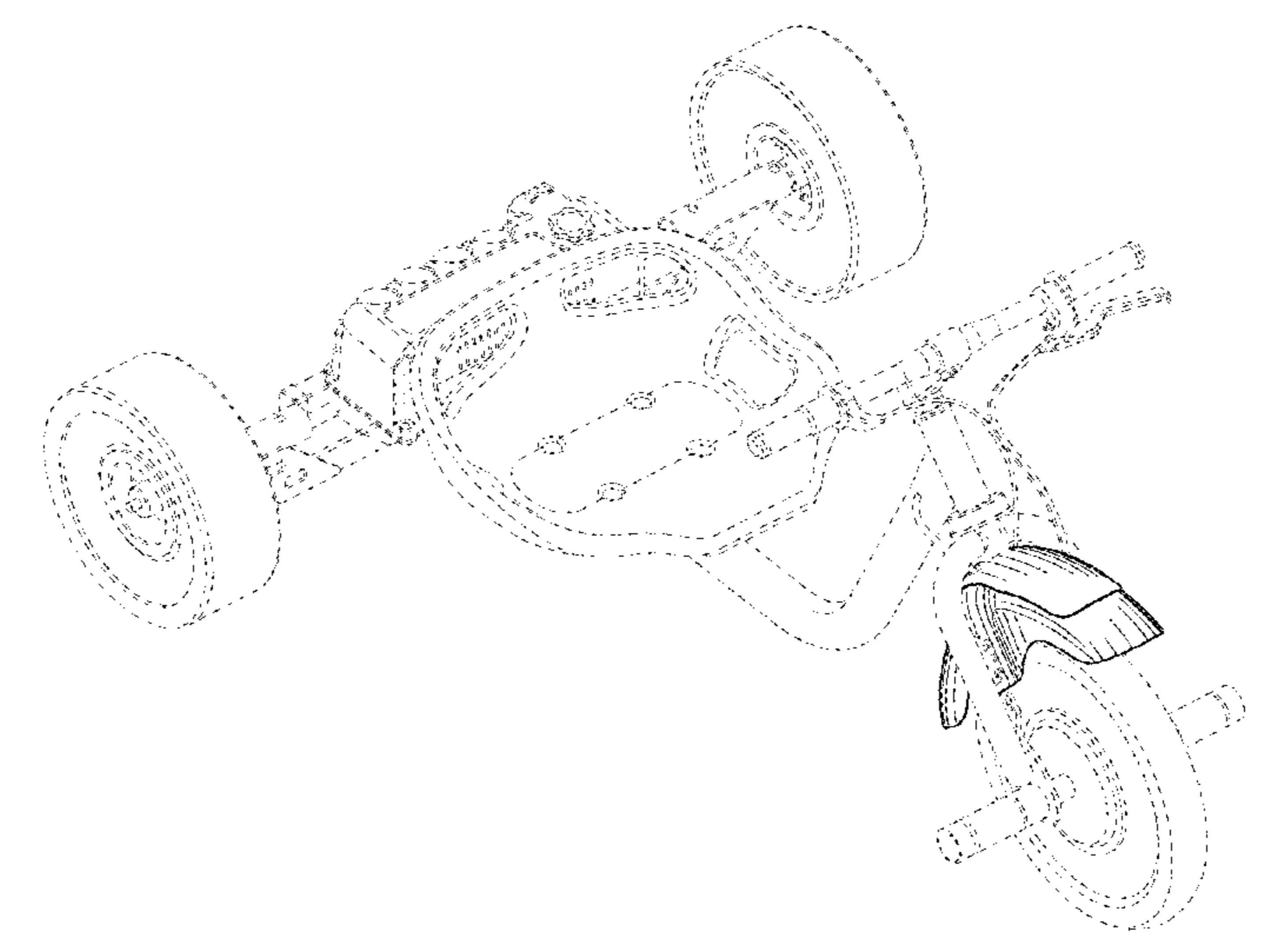
(56) **References Cited**
U.S. PATENT DOCUMENTS
D250,105 S 10/1978 Michelau
4,135,328 A 1/1979 Yamasaki
4,141,256 A 2/1979 Wilson et al.
D251,264 S 3/1979 Cook et al.
4,154,121 A 5/1979 Yamasaki
4,497,502 A 2/1985 Forbes et al.
4,498,887 A 2/1985 Cook
D277,947 S 3/1985 Blumenthal
4,509,931 A 4/1985 Lambert et al.
D280,309 S 8/1985 Forbes et al.
4,546,991 A 10/1985 Allen et al.
4,565,539 A 1/1986 Cook
D289,277 S 4/1987 Horberg et al.

OTHER PUBLICATIONS
United States Patent Office Action for U.S. Appl. No. 29/599,972 dated Jun. 6, 2018 (10 pages).
Primary Examiner — George D. Kirschbaum
Assistant Examiner — Clese Moore, Jr.
(74) *Attorney, Agent, or Firm* — Michael Best & Friedrich LLP

(57) **CLAIM**
The ornamental design for an electric drifter fender, as shown and described.

DESCRIPTION
FIG. 1 is a top perspective view of an electric drifter fender, showing our new design;
FIG. 2 is a right side view of FIG. 1;
FIG. 3 is a left side view of FIG. 1;
FIG. 4 is a front view of FIG. 1;
FIG. 5 is a rear view of FIG. 1;
FIG. 6 is a top view of FIG. 1; and,
FIG. 7 is a bottom view of FIG. 1.
The broken lines shown illustrate portions of the electric drifter fender that form no part of the claimed design.

1 Claim, 6 Drawing Sheets



(56)

References Cited

U.S. PATENT DOCUMENTS

6,321,863 B1 11/2001 Vanjani
 6,390,216 B1 5/2002 Sueshige et al.
 D461,150 S * 8/2002 Myers D12/186
 6,439,949 B1 8/2002 Lucas et al.
 6,551,169 B2 4/2003 Jaffe
 D478,535 S 8/2003 Chen
 D480,024 S 9/2003 Gunter et al.
 D480,336 S 10/2003 Yang
 D480,665 S 10/2003 Gunter et al.
 D482,304 S * 11/2003 Song D12/186
 D484,073 S 12/2003 Heinemann et al.
 D489,300 S * 5/2004 Chang D12/1
 D493,391 S 7/2004 Gunter
 6,771,034 B2 8/2004 Reile et al.
 D496,614 S * 9/2004 Everitt D12/186
 D498,709 S 11/2004 Sramek
 D499,994 S * 12/2004 Sugimoto D12/186
 D500,272 S * 12/2004 James D12/186
 6,889,784 B2 5/2005 Troll
 D512,354 S * 12/2005 Grove D12/186
 D512,669 S * 12/2005 Manchester D12/186
 D514,487 S * 2/2006 Asao D12/186
 D524,193 S 7/2006 Hong
 D545,246 S 6/2007 Kroeker
 D551,142 S * 9/2007 Simpson D12/186
 7,281,725 B1 10/2007 Gunter et al.
 D567,719 S 4/2008 Grossman
 D569,448 S 5/2008 Sramek et al.
 D575,352 S 8/2008 Sramek et al.
 D581,845 S * 12/2008 Longpre D12/107
 D593,910 S 6/2009 Calvin et al.
 7,658,252 B2 2/2010 Shapiro
 D612,781 S * 3/2010 Harrell, Jr. D12/186
 D617,703 S * 6/2010 Ilmberger D12/186
 7,749,046 B2 7/2010 Miva et al.
 D620,847 S 8/2010 Andrews et al.
 D622,194 S * 8/2010 Serbinski D12/186
 D625,932 S 10/2010 Jessie, Jr.

D627,266 S * 11/2010 Lockart D12/113
 D627,283 S * 11/2010 Ilmberger D12/186
 7,823,675 B2 11/2010 Kermani
 D630,158 S 1/2011 Jessie, Jr.
 D634,249 S * 3/2011 Dallaire D12/186
 7,946,373 B2 5/2011 Gibson
 7,967,095 B2 6/2011 Kosco et al.
 8,066,089 B2 11/2011 Murad
 8,167,074 B1 5/2012 Tsiyoni
 8,262,114 B2 9/2012 Jessie, Jr.
 8,356,686 B2 1/2013 Kermani
 D682,746 S 5/2013 Doherty et al.
 8,517,406 B2 8/2013 Diekman et al.
 8,534,689 B2 9/2013 Jessie, Jr.
 D690,776 S 10/2013 Doherty et al.
 8,567,547 B2 10/2013 Kulatunga
 D693,415 S 11/2013 Doherty et al.
 D694,686 S * 12/2013 Deluy D12/186
 8,631,892 B2 1/2014 Constin
 8,746,723 B2 6/2014 Chen et al.
 8,820,460 B2 9/2014 Chen et al.
 8,820,461 B2 9/2014 Shinde et al.
 D714,878 S 10/2014 Bean et al.
 8,875,831 B2 11/2014 Kermani
 8,926,396 B2 1/2015 Lennon
 D731,936 S * 6/2015 Darwin D12/186
 D770,347 S * 11/2016 Lindsey D12/186
 D782,942 S 4/2017 Trifaro et al.
 D786,139 S 5/2017 Yaffe
 2004/0178011 A1 9/2004 Lenkman
 2011/0168465 A1 7/2011 Starr
 2011/0168466 A1 7/2011 Starr
 2011/0259658 A1 10/2011 Huang et al.
 2012/0012413 A1 1/2012 Tsai et al.
 2012/0292880 A1 11/2012 Bapst
 2014/0090910 A1 4/2014 Treadway et al.
 2014/0097594 A1 4/2014 Barchek et al.
 2014/0265233 A1 9/2014 Jessie, Jr. et al.
 2014/0311815 A1 10/2014 Reck
 2015/0041231 A1 2/2015 Chen et al.

* cited by examiner

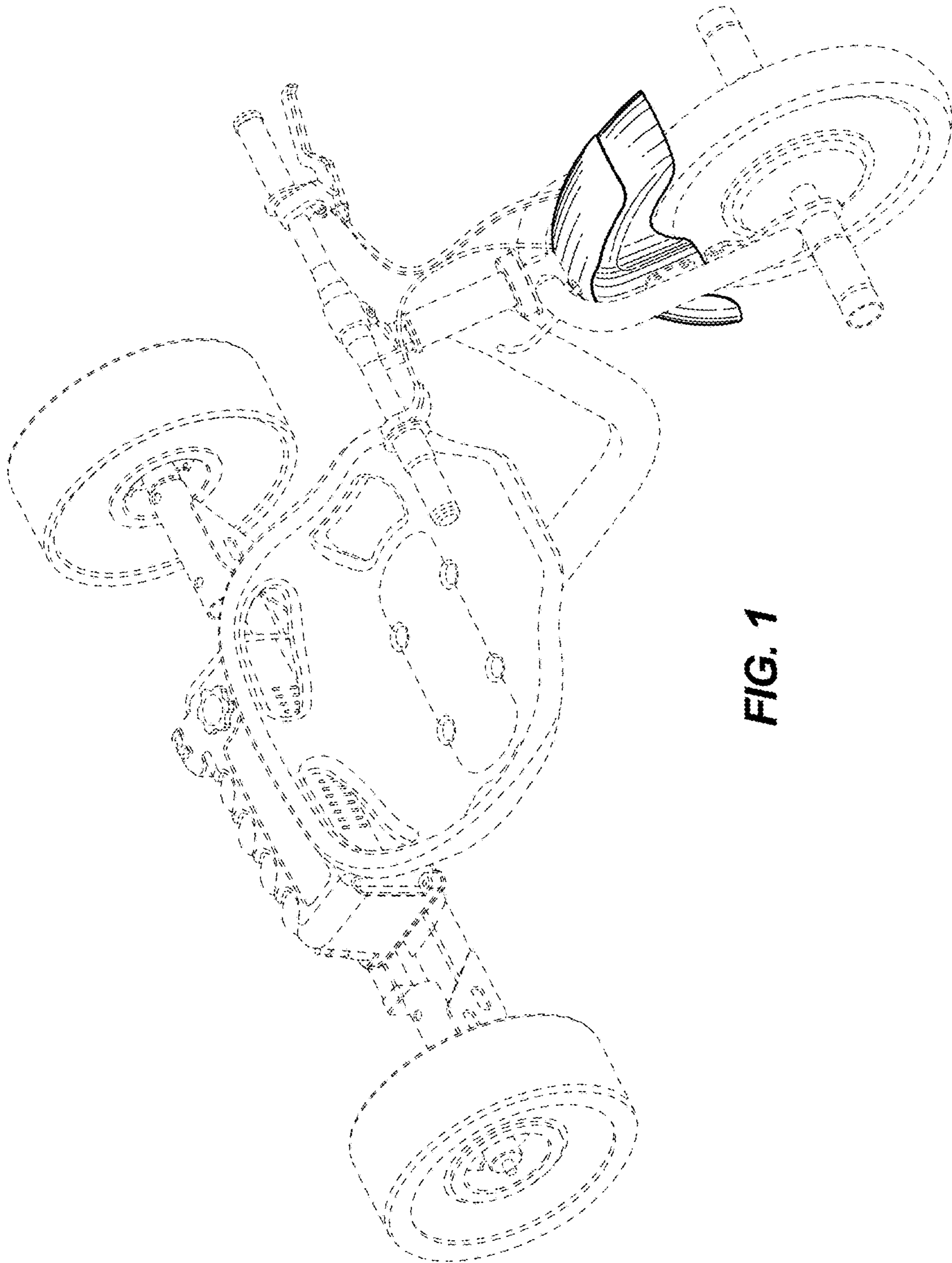


FIG. 1

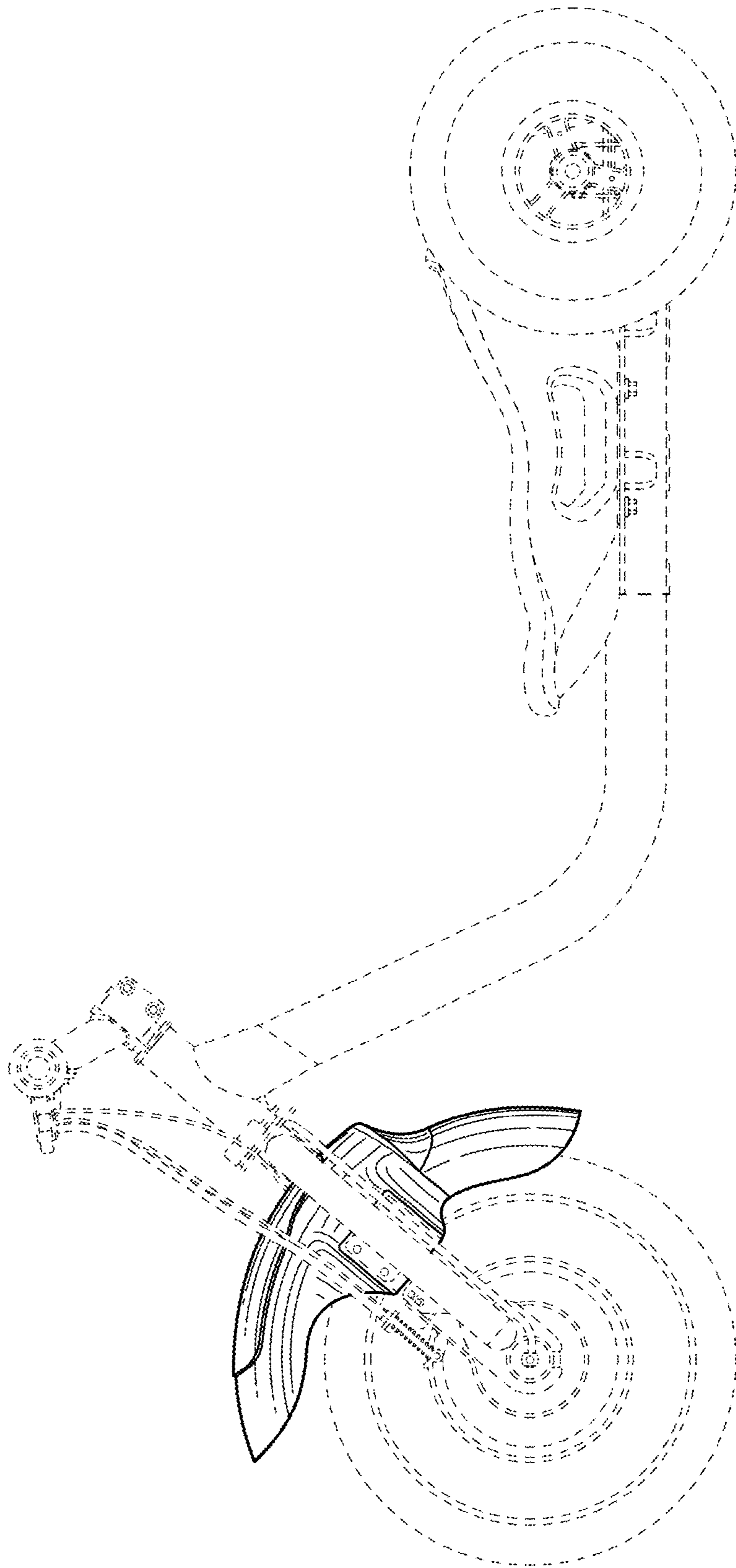


FIG. 2

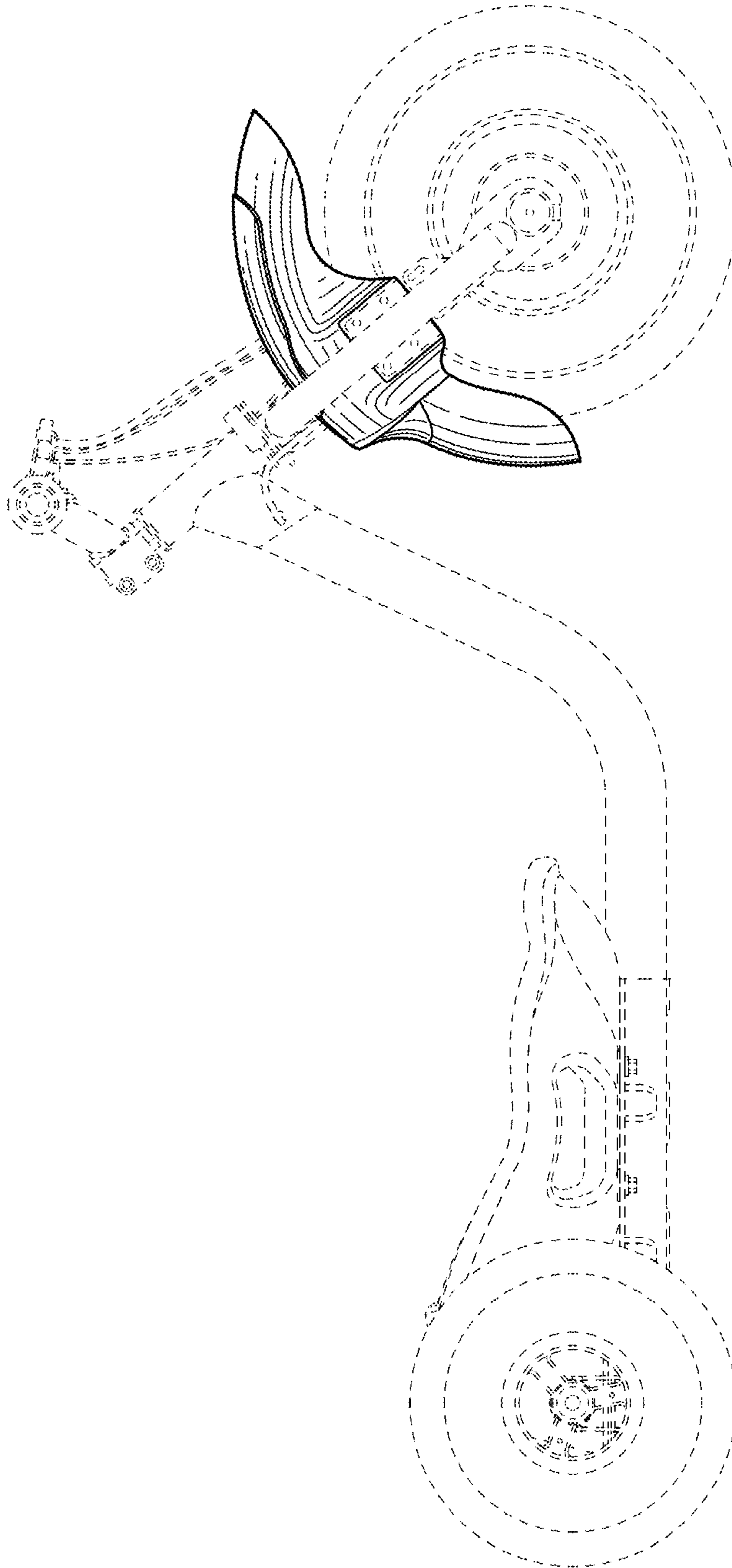


FIG. 3

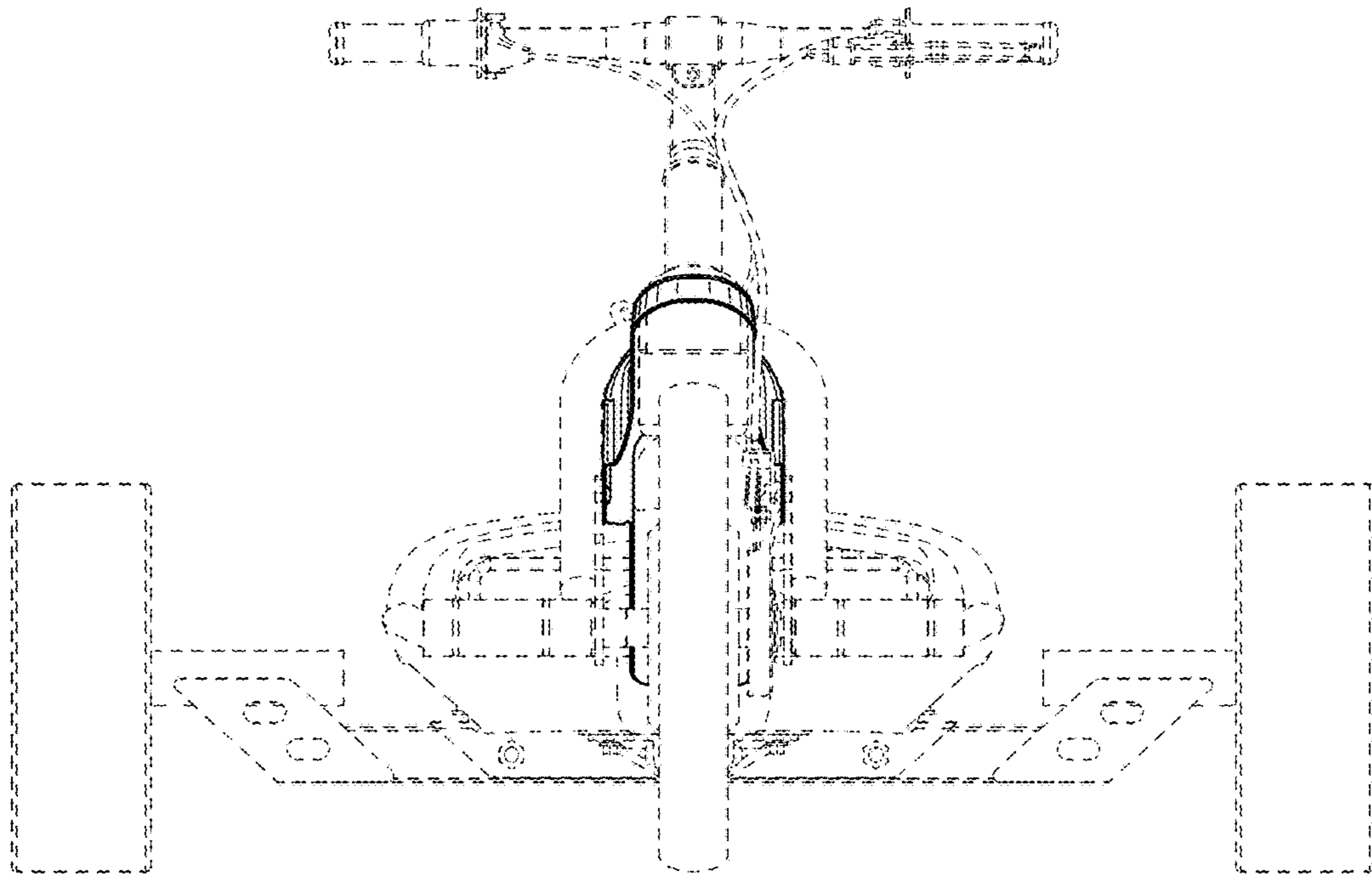


FIG. 4

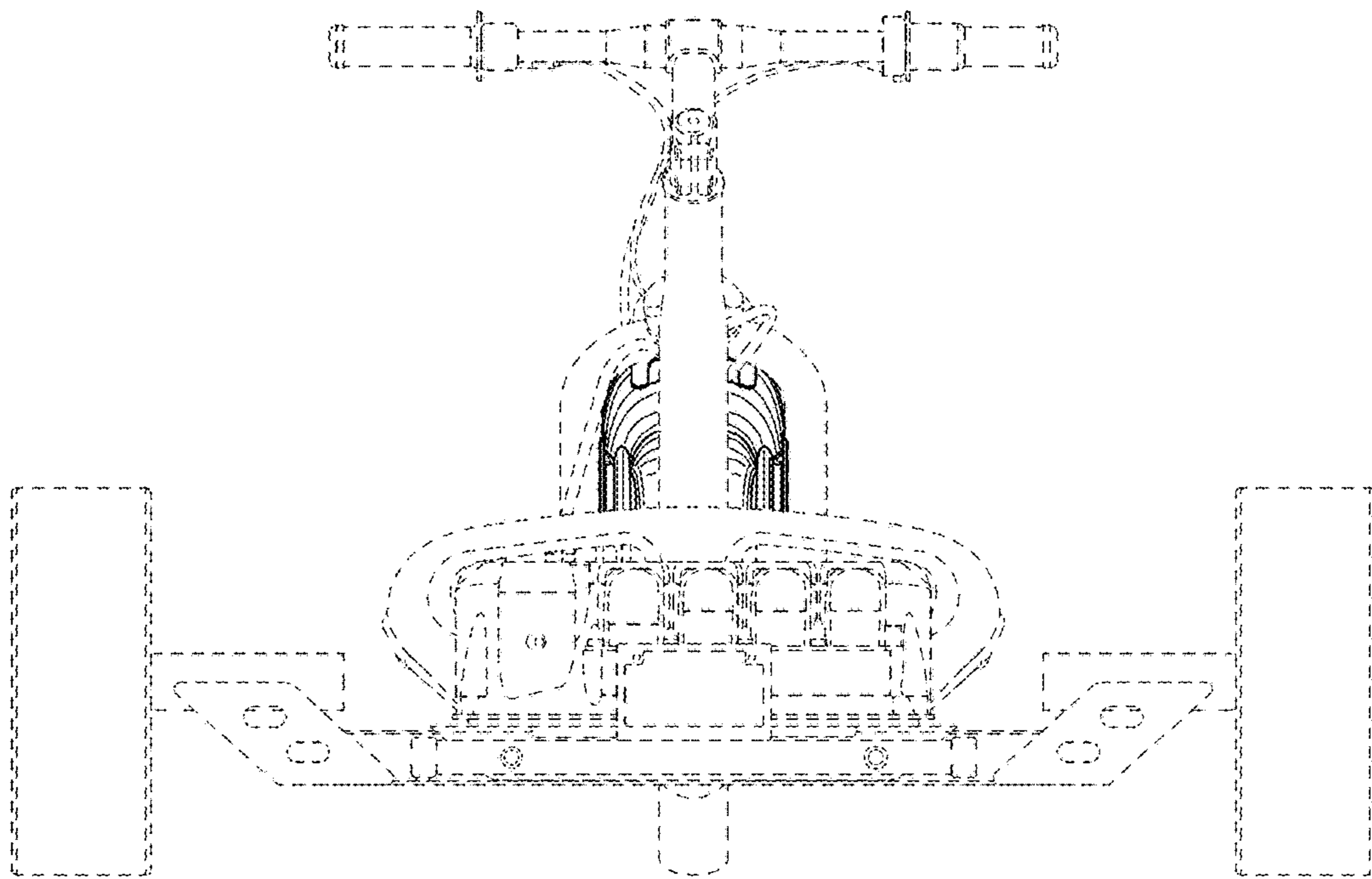


FIG. 5

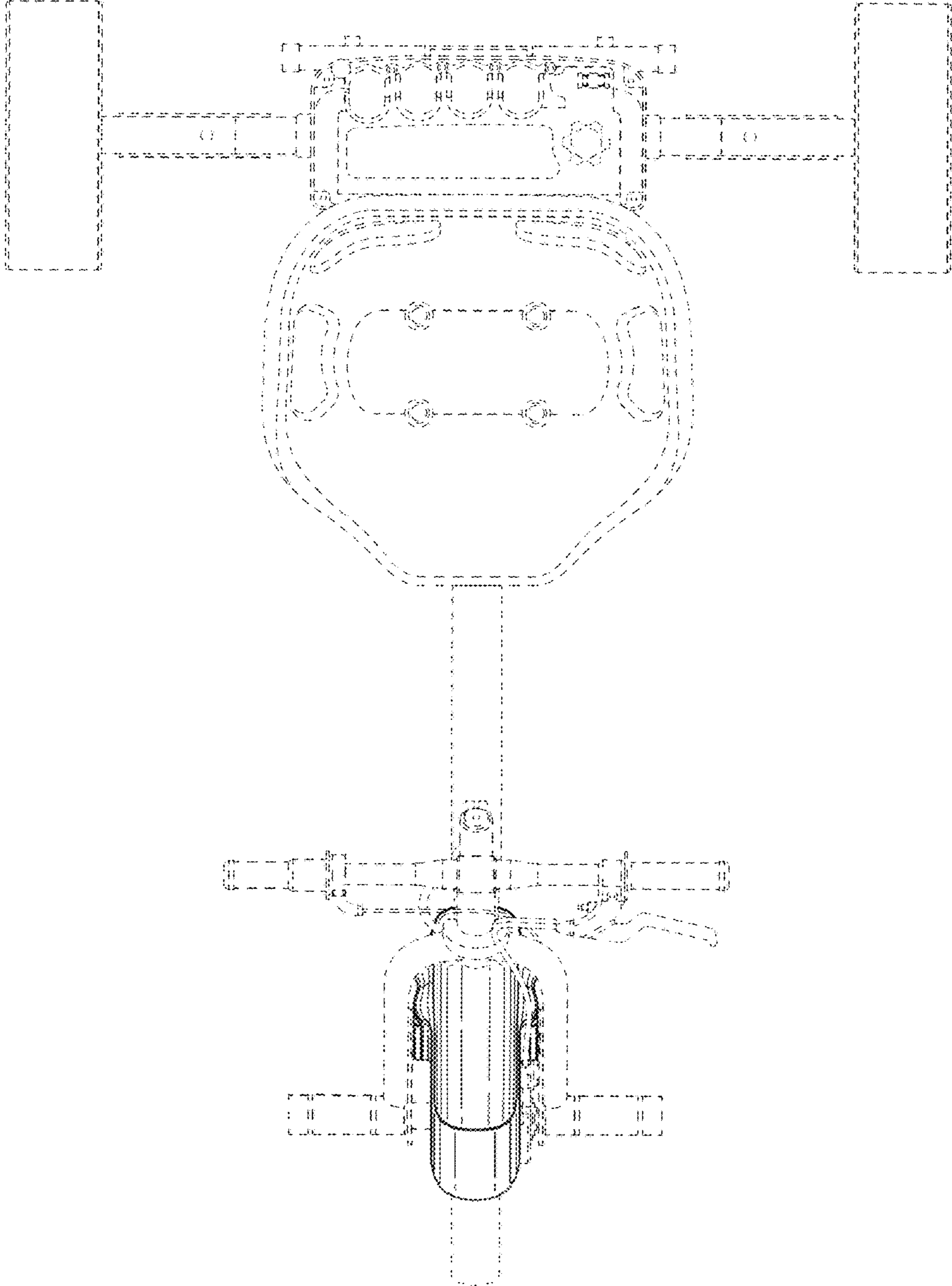


FIG. 6

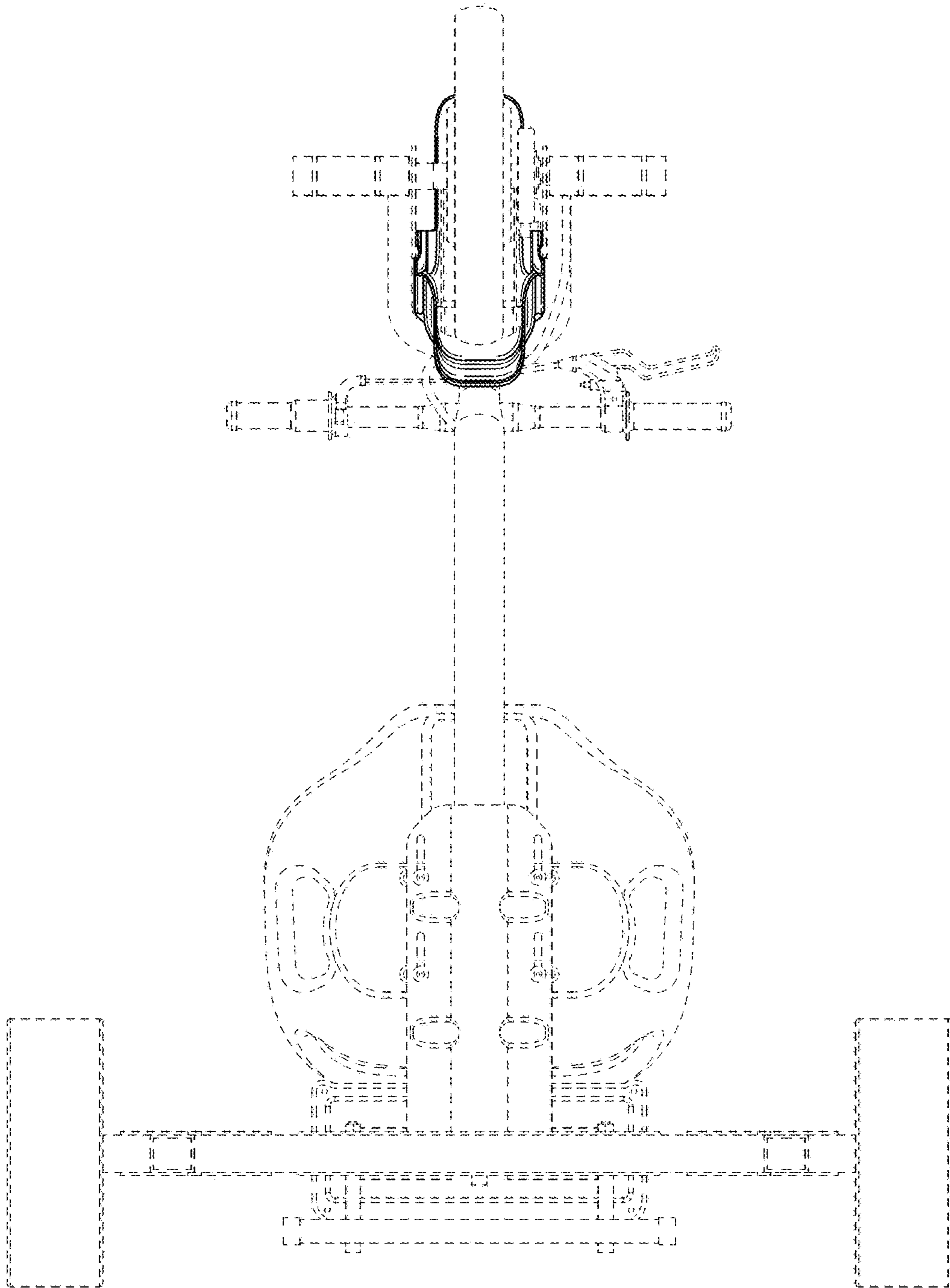


FIG. 7