



US00D827502S

(12) **United States Design Patent** (10) **Patent No.:** **US D827,502 S**
Williams (45) **Date of Patent:** **** Sep. 4, 2018**

(54) **ATV LOGGING ACCESSORY**

(71) Applicant: **James Williams**, North Adams, MA (US)

(72) Inventor: **James Williams**, North Adams, MA (US)

(**) Term: **15 Years**

(21) Appl. No.: **29/563,785**

(22) Filed: **May 8, 2016**

(51) **LOC (11) Cl.** **12-11**

(52) **U.S. Cl.**
USPC **D12/114**

(58) **Field of Classification Search**
USPC D12/114, 408, 407, 406, 102, 162;
D22/199; D34/33, 34
CPC .. B60R 9/06; B60R 9/10; B60R 9/045; B60R 9/048; B66F 2700/12; B66C 23/44
See application file for complete search history.

(56) **References Cited**

U.S. PATENT DOCUMENTS

D337,087 S * 7/1993 Peterman D12/408
5,303,857 A * 4/1994 Hewson B60R 9/06
224/282
5,469,997 A * 11/1995 Carlson B60R 9/06
224/506
D374,208 S * 10/1996 Eva, Jr. D12/408
D395,275 S * 6/1998 Brungardt D12/408
D410,891 S * 6/1999 Adams D12/408
D415,097 S * 10/1999 Adams D12/408
6,062,451 A * 5/2000 Lassanske B60R 9/06
224/502
D429,051 S * 8/2000 Porter D34/33
D440,934 S * 4/2001 Cataldo D12/408

D467,220 S * 12/2002 Walstrom D12/408
6,578,722 B2 * 6/2003 Perkins B66C 23/44
212/180
D577,875 S * 9/2008 Dorsett D34/31
D625,247 S * 10/2010 Flaherty D12/408
D625,386 S * 10/2010 Missildine D22/199
D632,634 S * 2/2011 Clausen D12/406
D635,087 S * 3/2011 Flaherty D12/408
D687,763 S * 8/2013 Hany D12/408
D718,410 S * 11/2014 Woller D22/199
D750,865 S * 3/2016 Icton D34/33
D773,603 S * 12/2016 Woller D22/199
2006/0280584 A1 * 12/2006 Spuzak B66C 23/44
414/462
2015/0210202 A1 * 7/2015 Williams B60P 3/41
254/323

* cited by examiner

Primary Examiner — George D Kirschbaum
Assistant Examiner — Clese Moore, Jr.
(74) *Attorney, Agent, or Firm* — Gulf Coast Intellectual Property Group

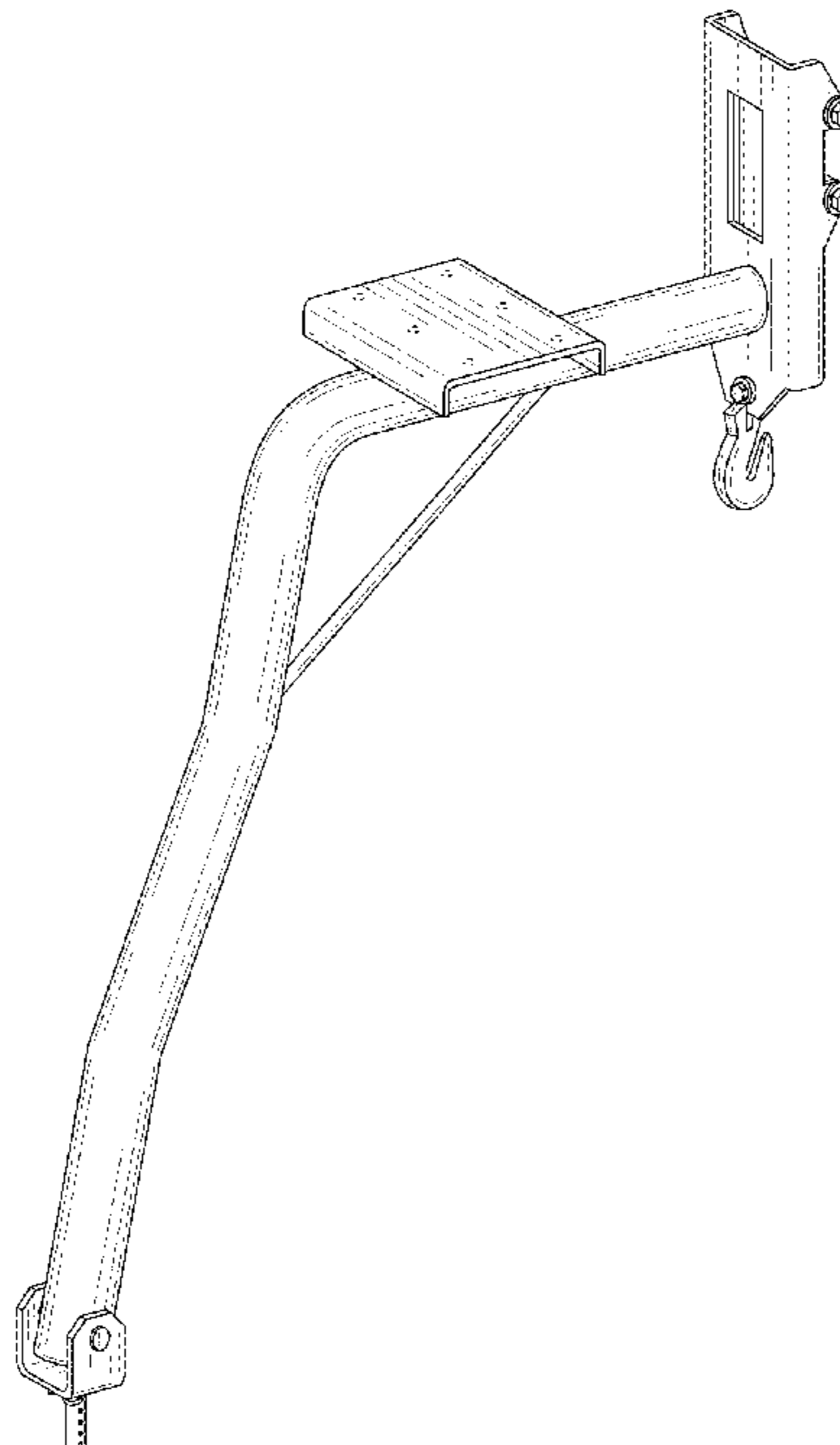
(57) **CLAIM**

The ornamental design for the ATV logging accessory, as shown and described.

DESCRIPTION

FIG. 1 is perspective view of the ATV logging accessory showing my new design; and
FIG. 2 is a rear view of the present invention; and
FIG. 3 is a front view of the present invention; and
FIG. 4 is a left side view of the present invention; and,
FIG. 5 is a right side view of the present invention.
The broken lines shown illustrate portions of the ATV logging accessory that form no part of the claimed design.

1 Claim, 4 Drawing Sheets



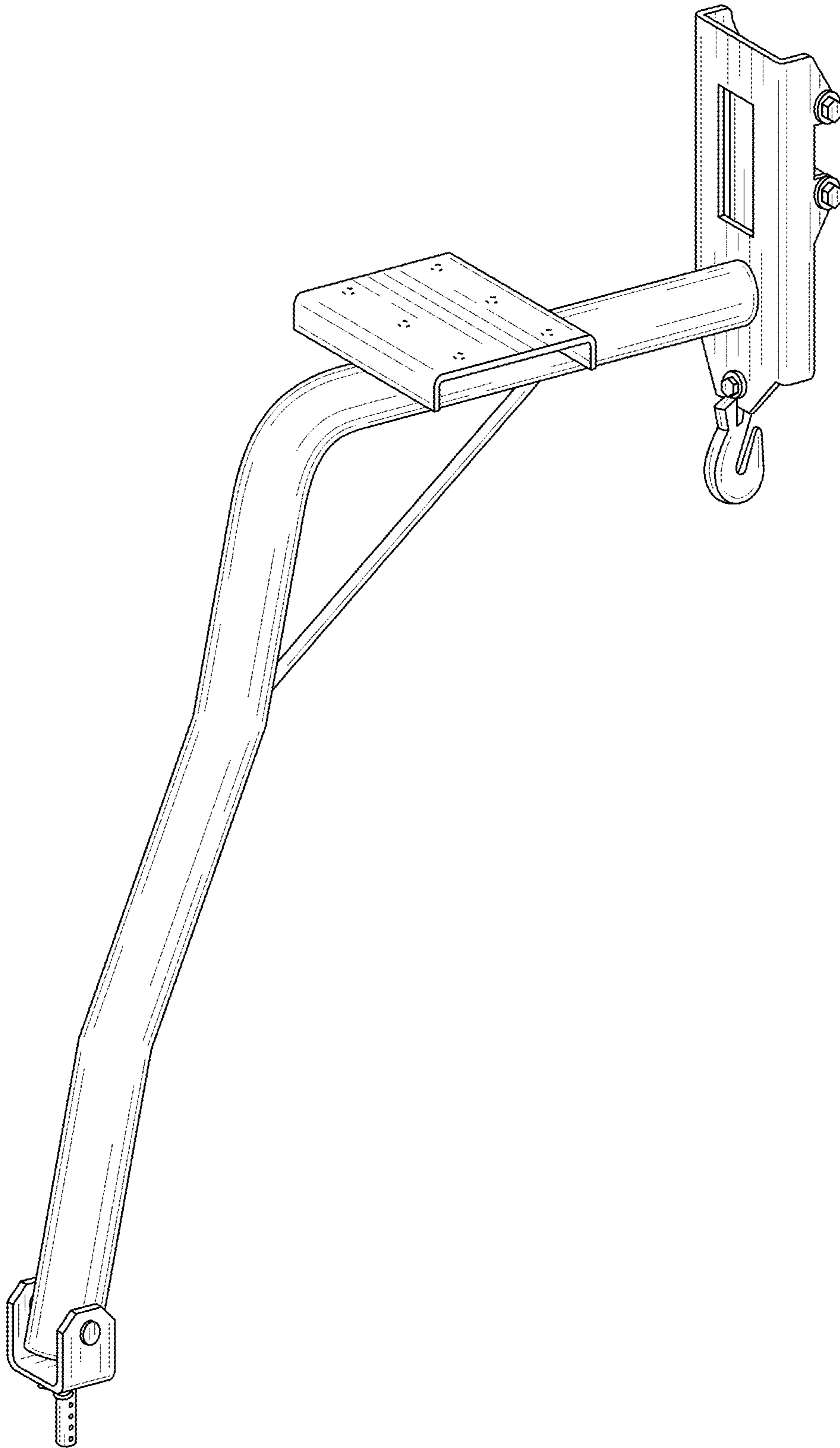


FIG. 1

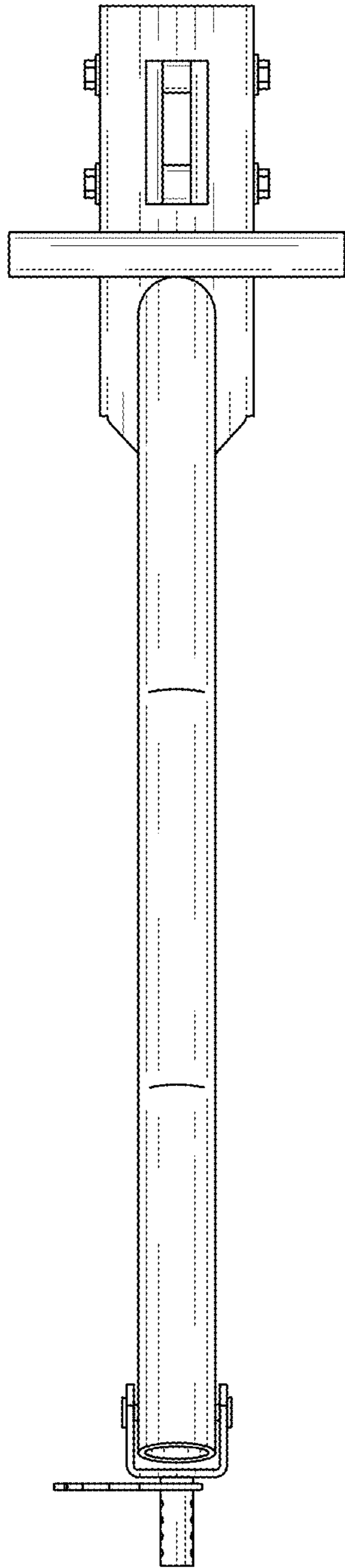


FIG. 2

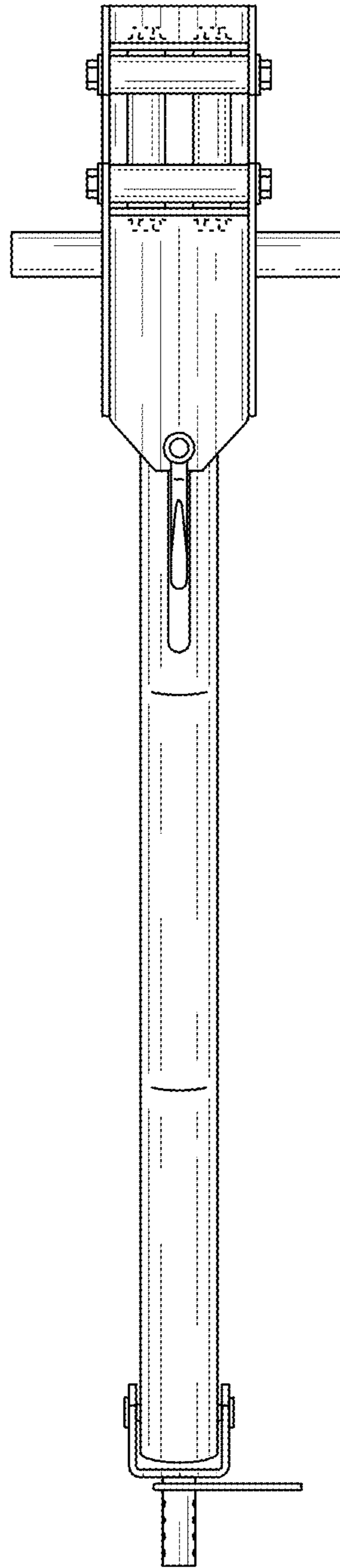


FIG. 3

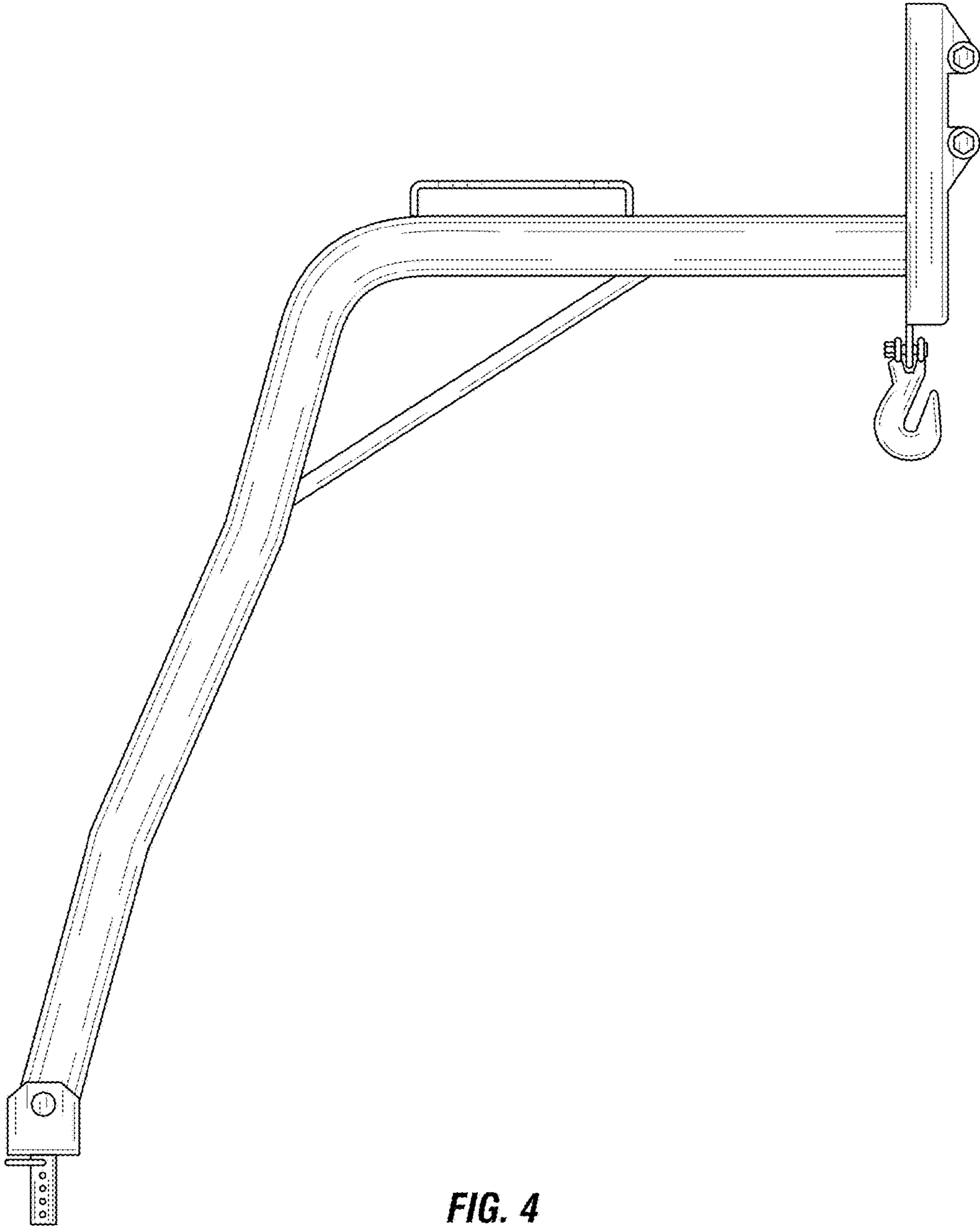


FIG. 4

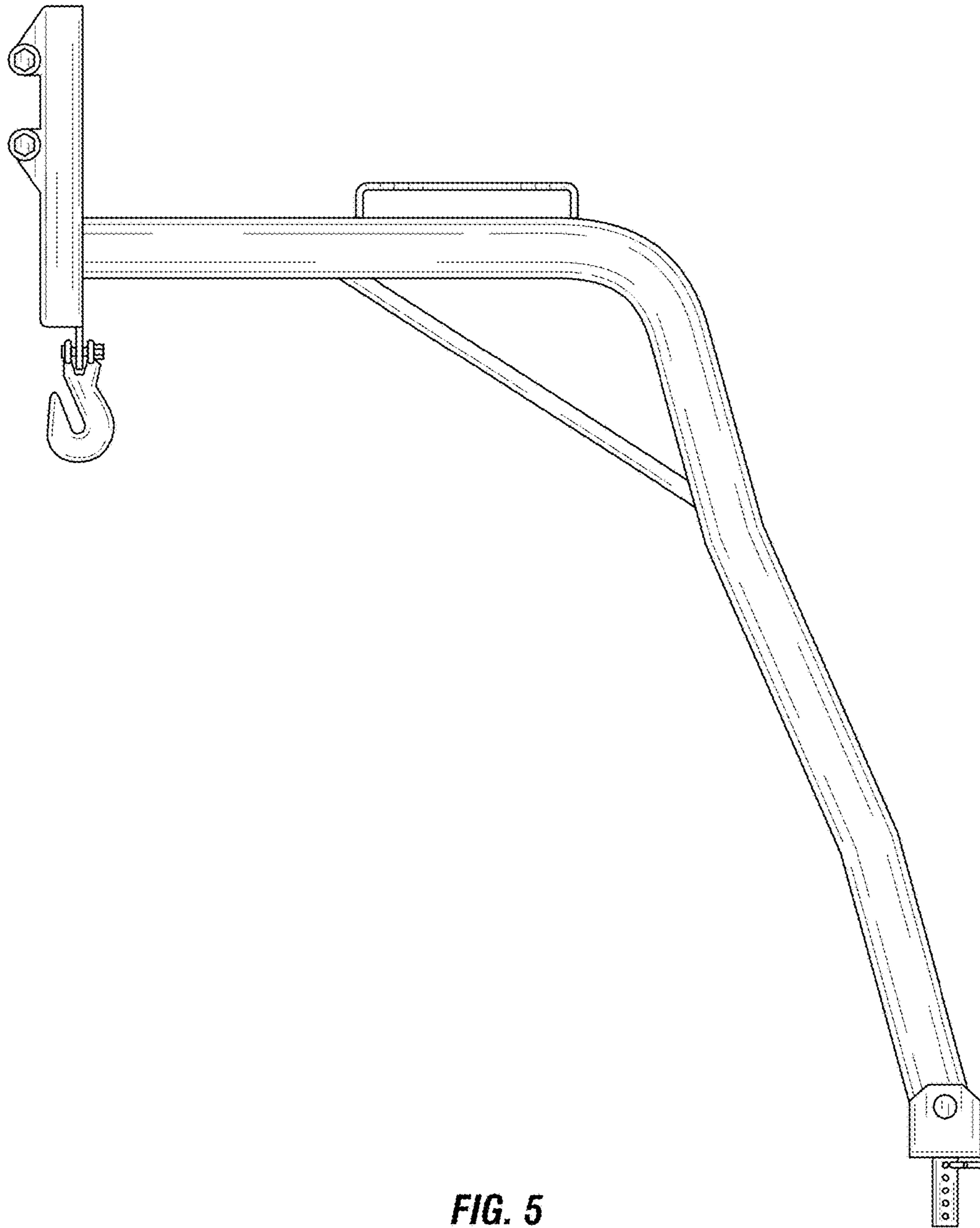


FIG. 5