



US00D827501S

(12) **United States Design Patent**
Baker et al.

(10) **Patent No.:** **US D827,501 S**
(45) **Date of Patent:** **** Sep. 4, 2018**

(54) **TRICYCLE**

(71) Applicant: **YVOLVE SPORTS LTD.**, Dublin (IE)

(72) Inventors: **Lee Baker**, Preston (AU); **Michelle Rosevear**, Moonee Ponds (AU)

(**) Term: **15 Years**

(21) Appl. No.: **29/559,908**

(22) Filed: **Mar. 31, 2016**

(30) **Foreign Application Priority Data**

Oct. 1, 2015 (CA) 164537

(51) **LOC (11) Cl.** **12-11**

(52) **U.S. Cl.**
USPC **D12/112; D12/113**

(58) **Field of Classification Search**
USPC D12/112, 113; D21/432, 435, 538
CPC B62K 9/02; B62K 15/00; B62K 15/008;
B62K 21/00; B62J 17/08
See application file for complete search history.

(56) **References Cited**

U.S. PATENT DOCUMENTS

D229,079 S *	11/1973	Boyle	D21/435
D257,374 S *	10/1980	Nottingham	D21/435
D279,176 S *	6/1985	Kassai	D12/112
D346,412 S *	4/1994	Chou	D21/424
5,499,834 A *	3/1996	Pasin	B60B 37/00 280/259
D372,690 S *	8/1996	Nakai	D12/113
D392,343 S *	3/1998	Sloss	D12/112
D402,596 S *	12/1998	Liu	D12/113
6,152,473 A *	11/2000	Shih	B62K 9/02 280/278
D436,896 S *	1/2001	Chiappepta	D12/113
D436,897 S *	1/2001	Chiappepta	D12/113
D461,145 S *	8/2002	Chiappetta	D12/113
D470,081 S *	2/2003	Wu	D12/112
D470,082 S *	2/2003	Wu	D12/112

D470,083 S *	2/2003	Wu	D12/112
6,575,486 B2 *	6/2003	Ma	B62K 15/006 280/282
D480,024 S *	9/2003	Gunter	D12/112
D480,665 S *	10/2003	Gunter	D12/112
D484,073 S *	12/2003	Heinemann	D12/112
D488,103 S *	4/2004	Chauderge	D12/112

(Continued)

FOREIGN PATENT DOCUMENTS

WO	2013181872 A1	12/2013
WO	2014080166 A1	5/2014

OTHER PUBLICATIONS

PCT/EP2015/073177, International Search Report & Written Opinion, dated Dec. 10, 2015.

Primary Examiner — Darlington Ly

(74) *Attorney, Agent, or Firm* — Millman IP Inc.

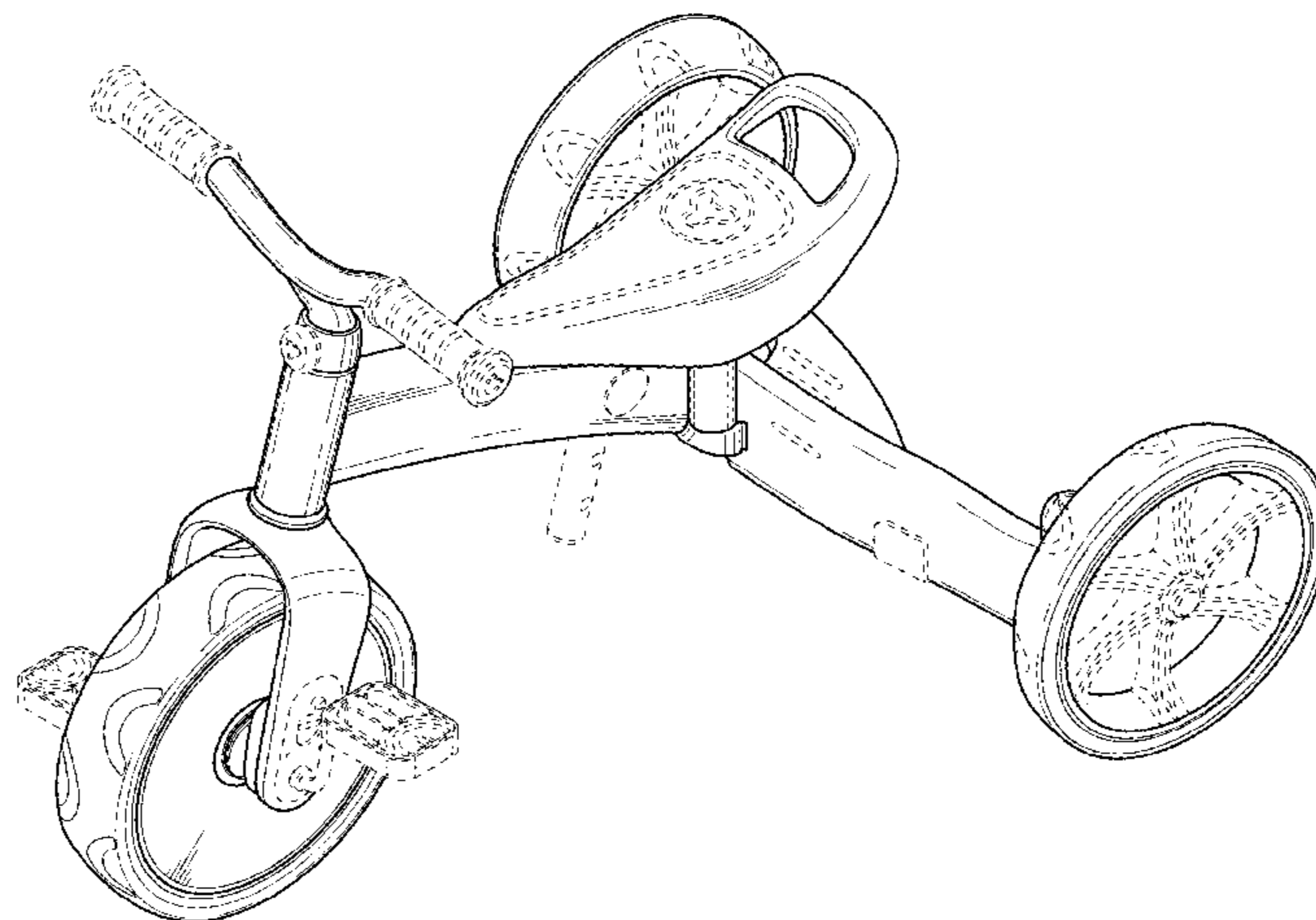
(57) **CLAIM**

The ornamental design for a tricycle, as shown and described.

DESCRIPTION

FIG. 1 is a top, front, and left side perspective view of a tricycle showing our new design;
FIG. 2 is a top, rear, and right side perspective view thereof;
FIG. 3 is a bottom, front, and left side perspective view thereof;
FIG. 4 is a right side elevation view thereof
FIG. 5 is a left side elevation view thereof;
FIG. 6 is a front elevation view thereof;
FIG. 7 is a rear elevation view thereof;
FIG. 8 is a top plan view thereof; and,
FIG. 9 is a bottom plan view thereof.
The broken lines in the drawings illustrate portions of the tricycle that form no part of the claimed design.

1 Claim, 9 Drawing Sheets



(56)

References Cited

U.S. PATENT DOCUMENTS

D495,757	S *	9/2004	Juteau	D21/423
D496,609	S *	9/2004	Auberger	D12/112
D514,476	S *	2/2006	Glenn, II	D12/112
D535,918	S *	1/2007	On	D12/112
D540,717	S *	4/2007	On	D12/112
D582,489	S *	12/2008	Badanjo	D21/435
D593,910	S *	6/2009	Calvin	D12/112
D622,639	S *	8/2010	Brockmeyer	D12/113
D630,158	S *	1/2011	Jessie, Jr.	D12/423
D645,381	S *	9/2011	Bricker	D12/112
D680,175	S *	4/2013	Nielsen	D21/435
8,517,406	B2 *	8/2013	Diekman	B62K 9/02 280/278
8,596,649	B2 *	12/2013	Bricker	B62K 9/02 280/282
D777,609	S *	1/2017	Loc	D12/112
D782,942	S *	4/2017	Trifaro	D12/112
D787,378	S *	5/2017	Ostergaard	D12/112
2004/0075230	A1	4/2004	Lin	
2012/0104722	A1 *	5/2012	Gunderson	B62K 5/02 280/210
2013/0075996	A1 *	3/2013	Armbruster	B62K 9/02 280/259
2013/0140787	A1	6/2013	Ko	
2014/0265233	A1	9/2014	Jessie, Jr. et al.	

* cited by examiner

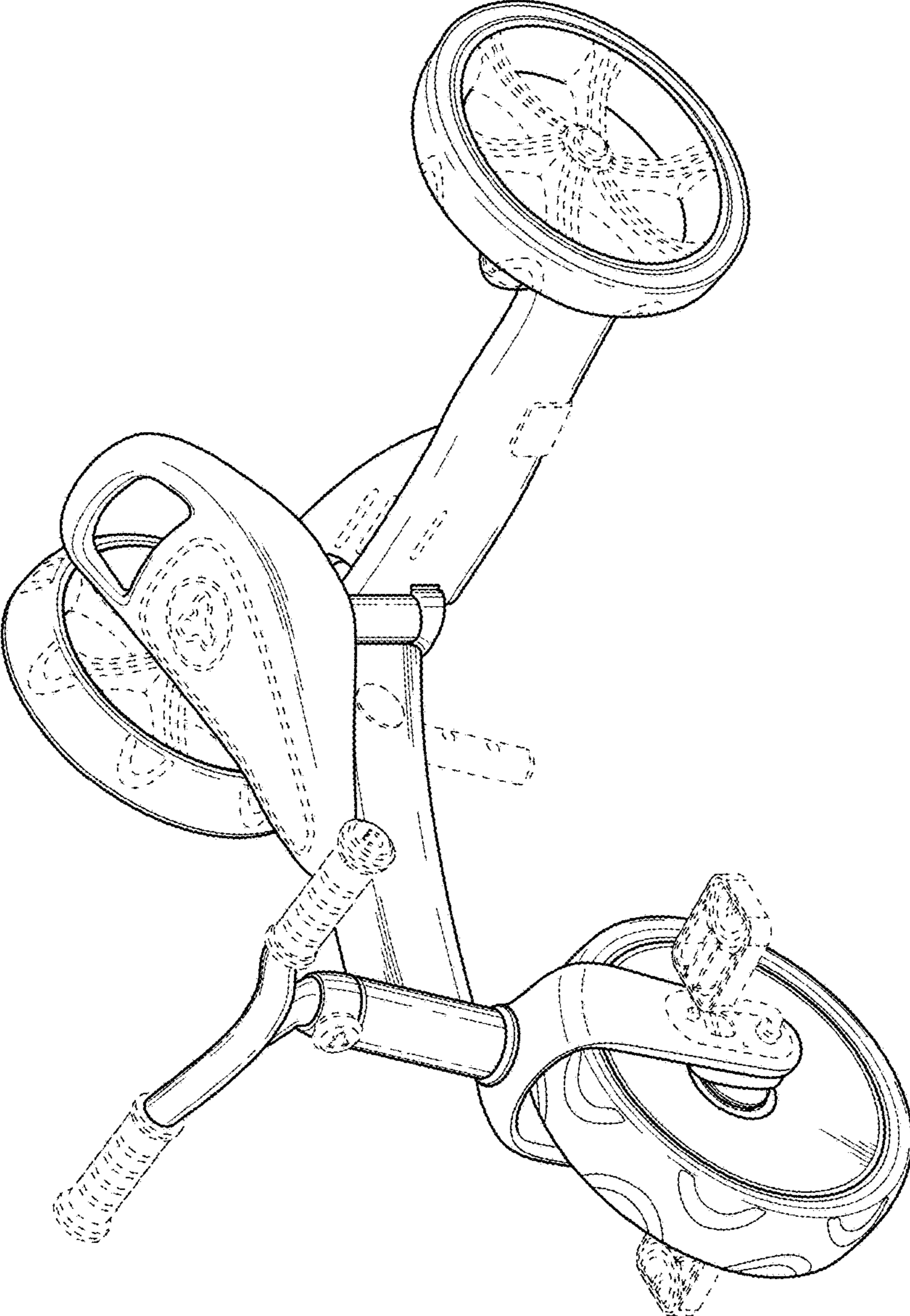


FIG. 1

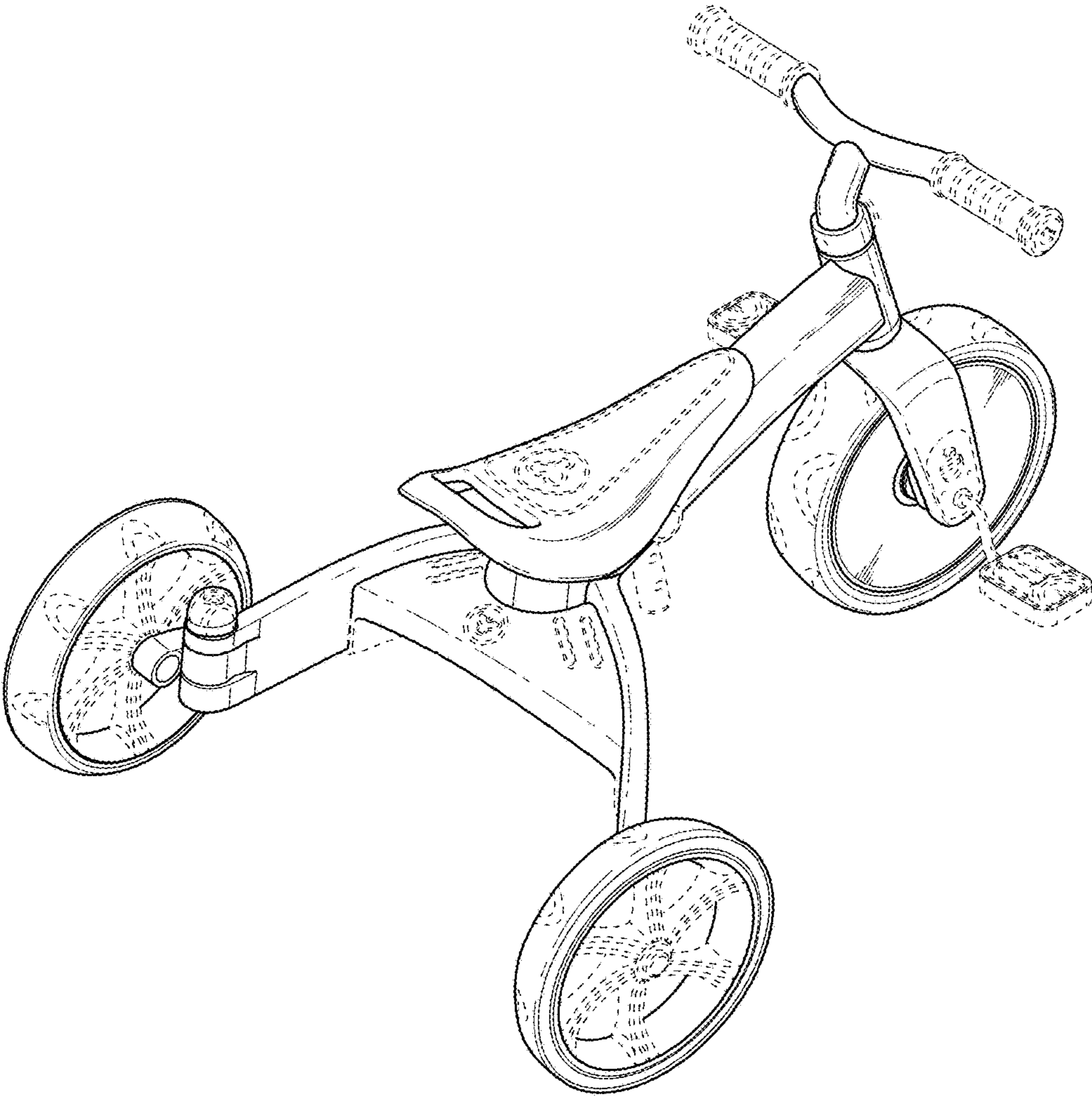


FIG. 2

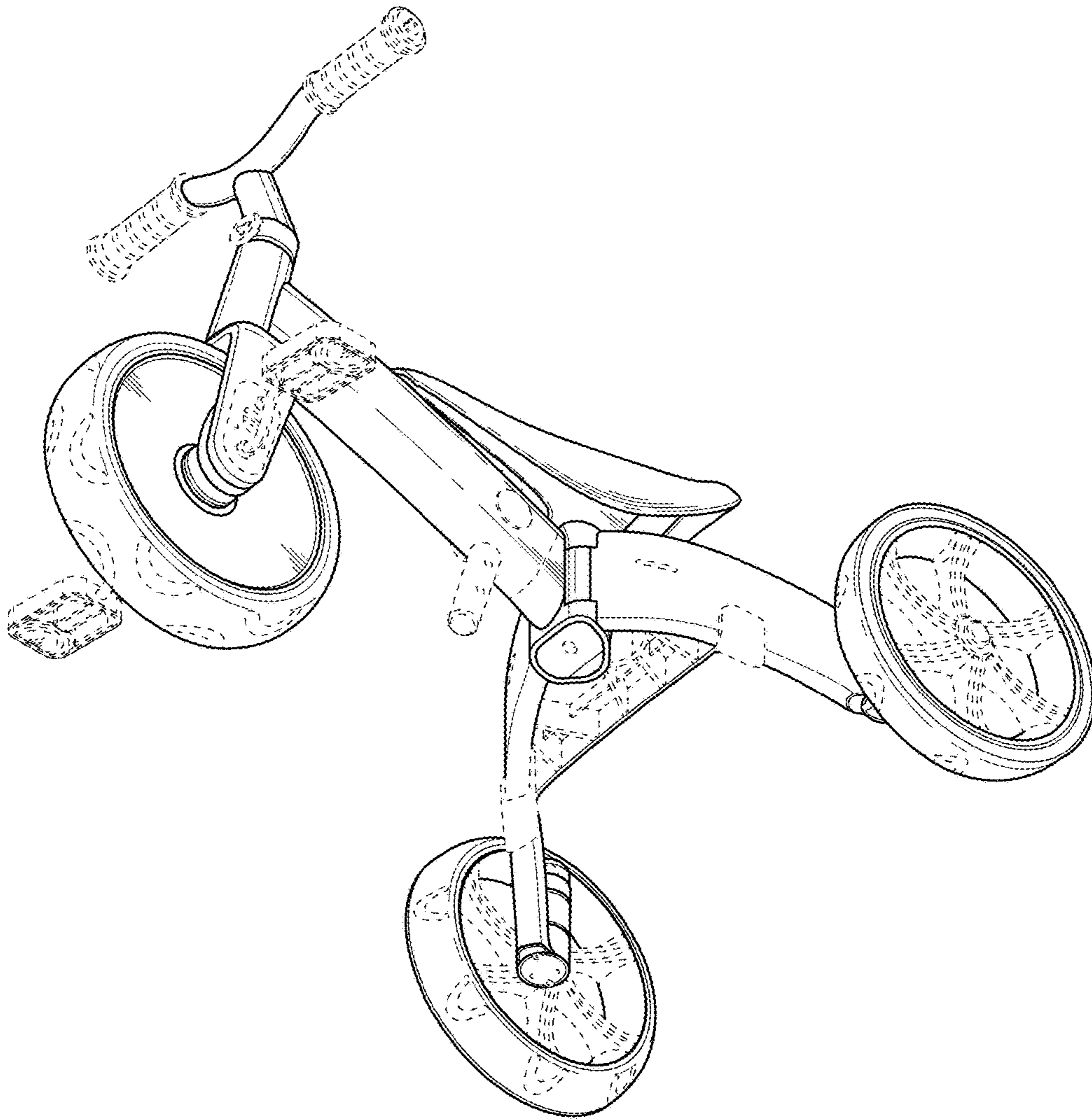
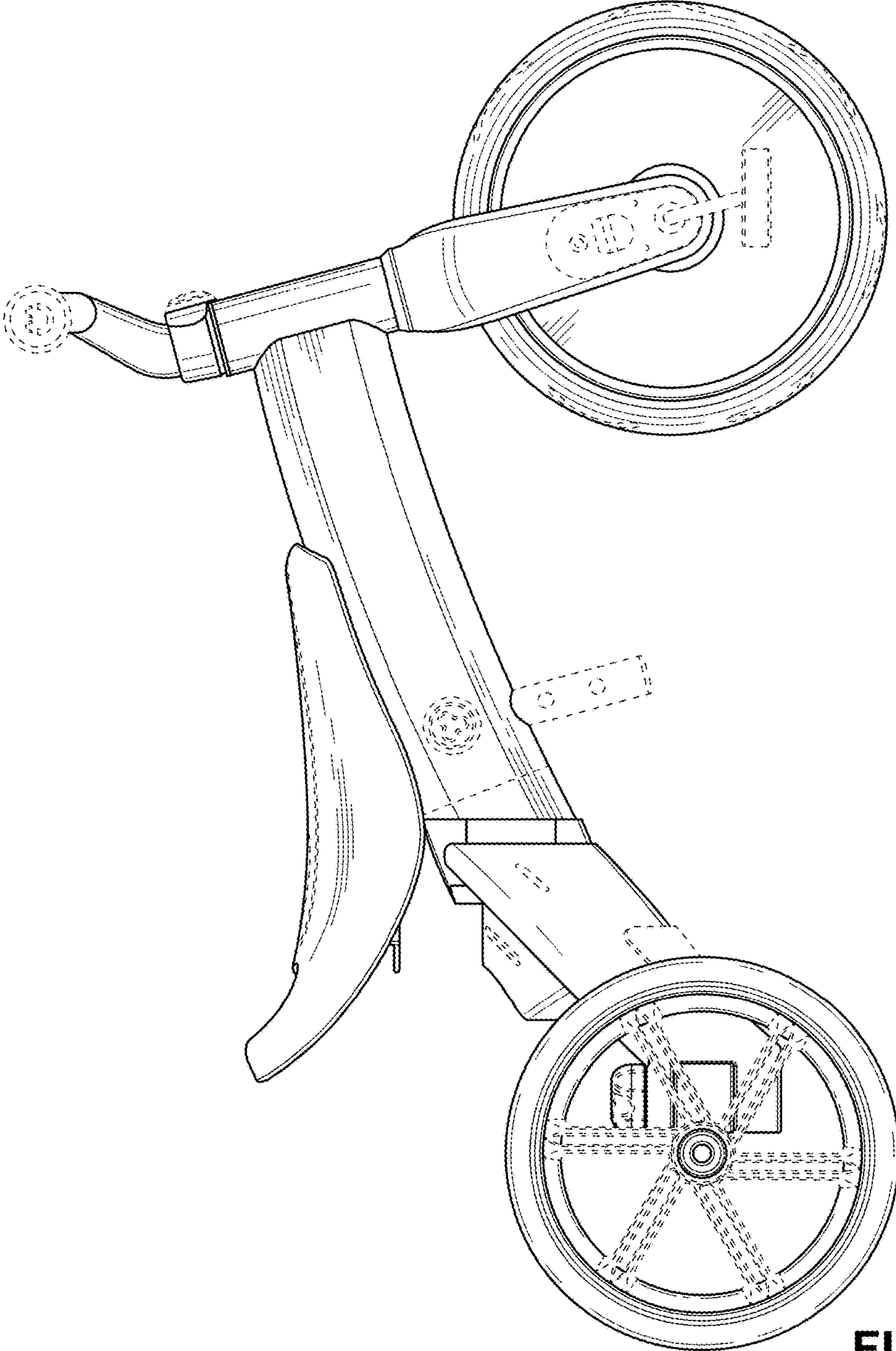


FIG. 3



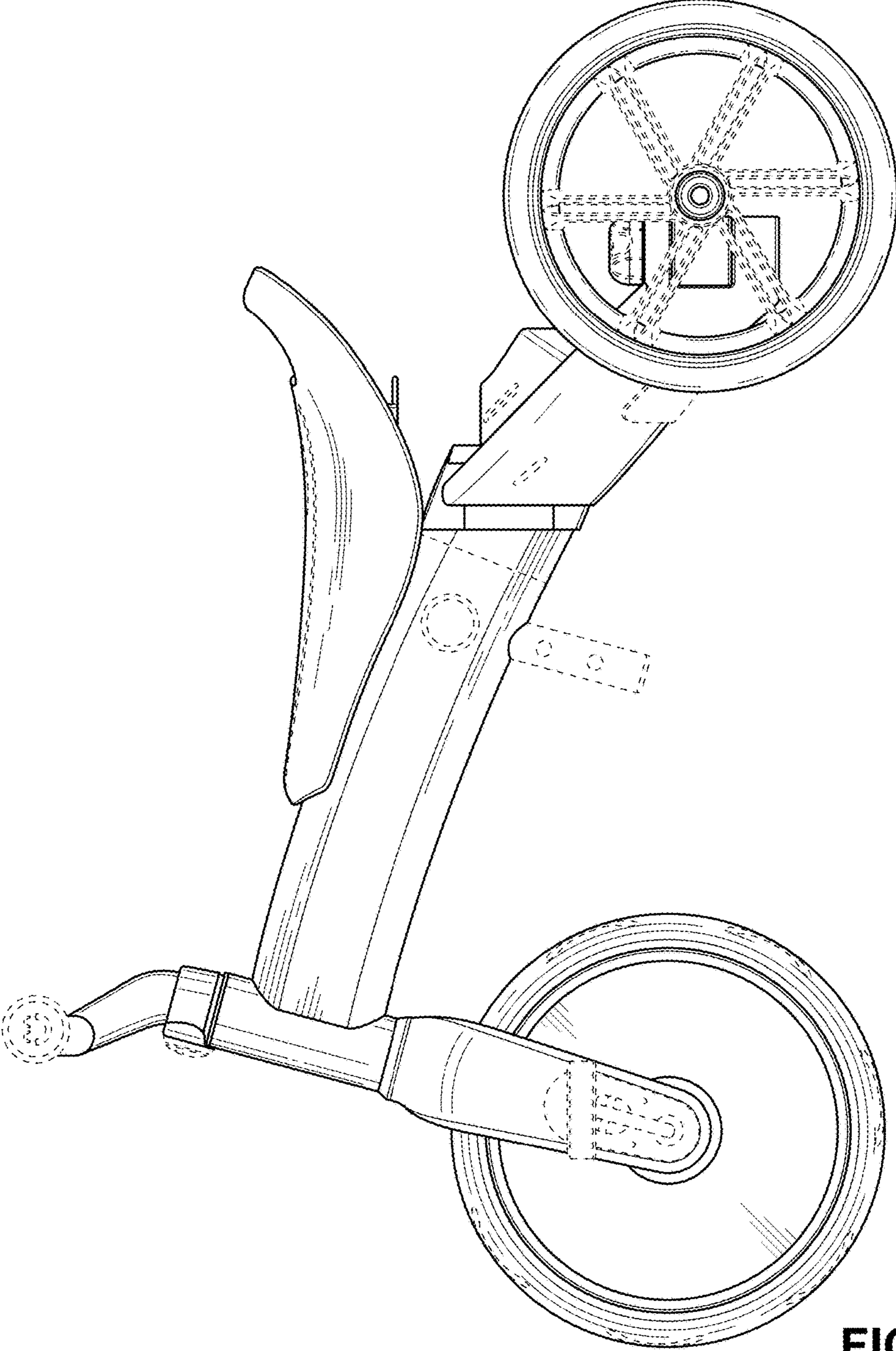


FIG. 5

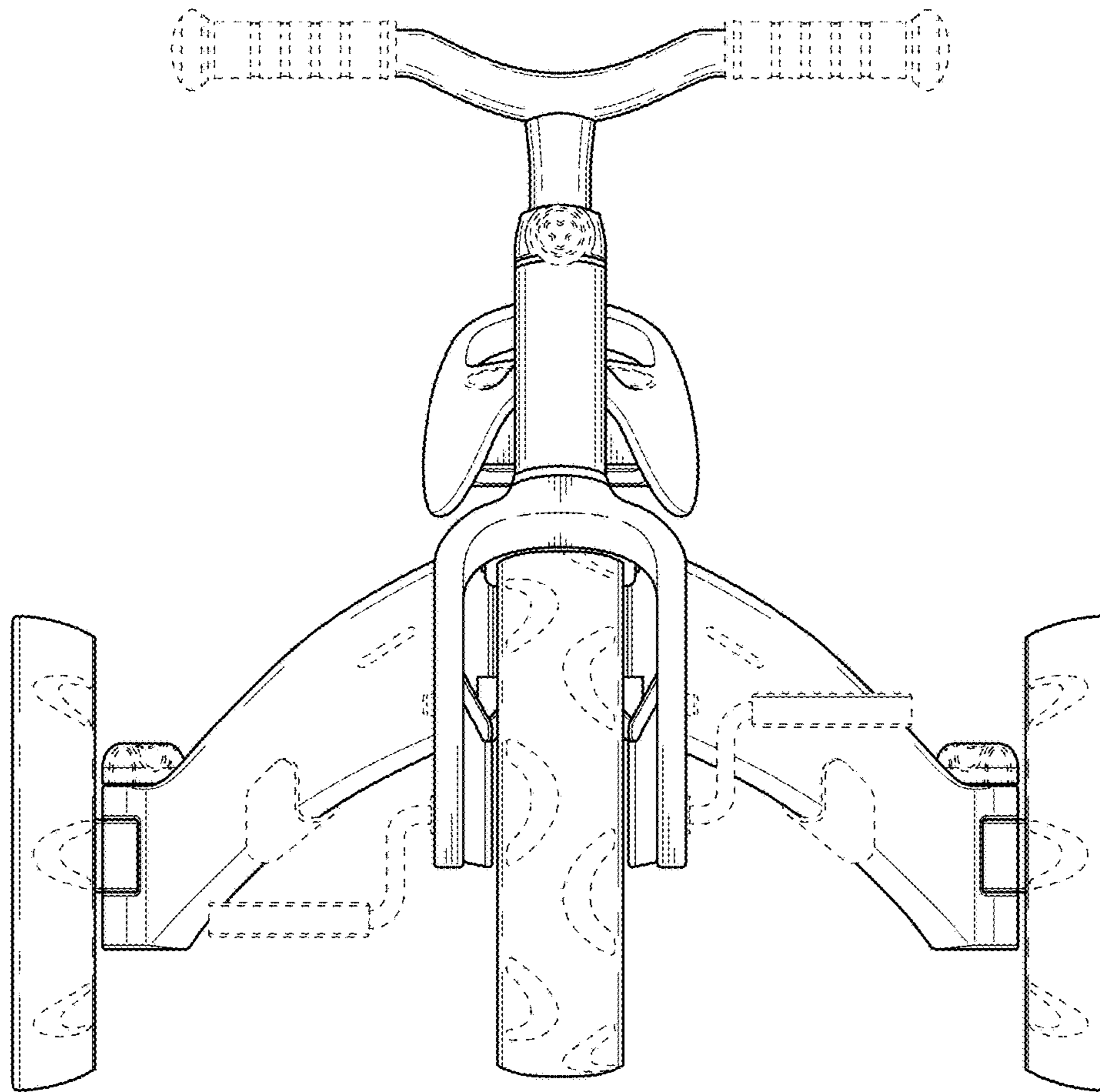


FIG. 6

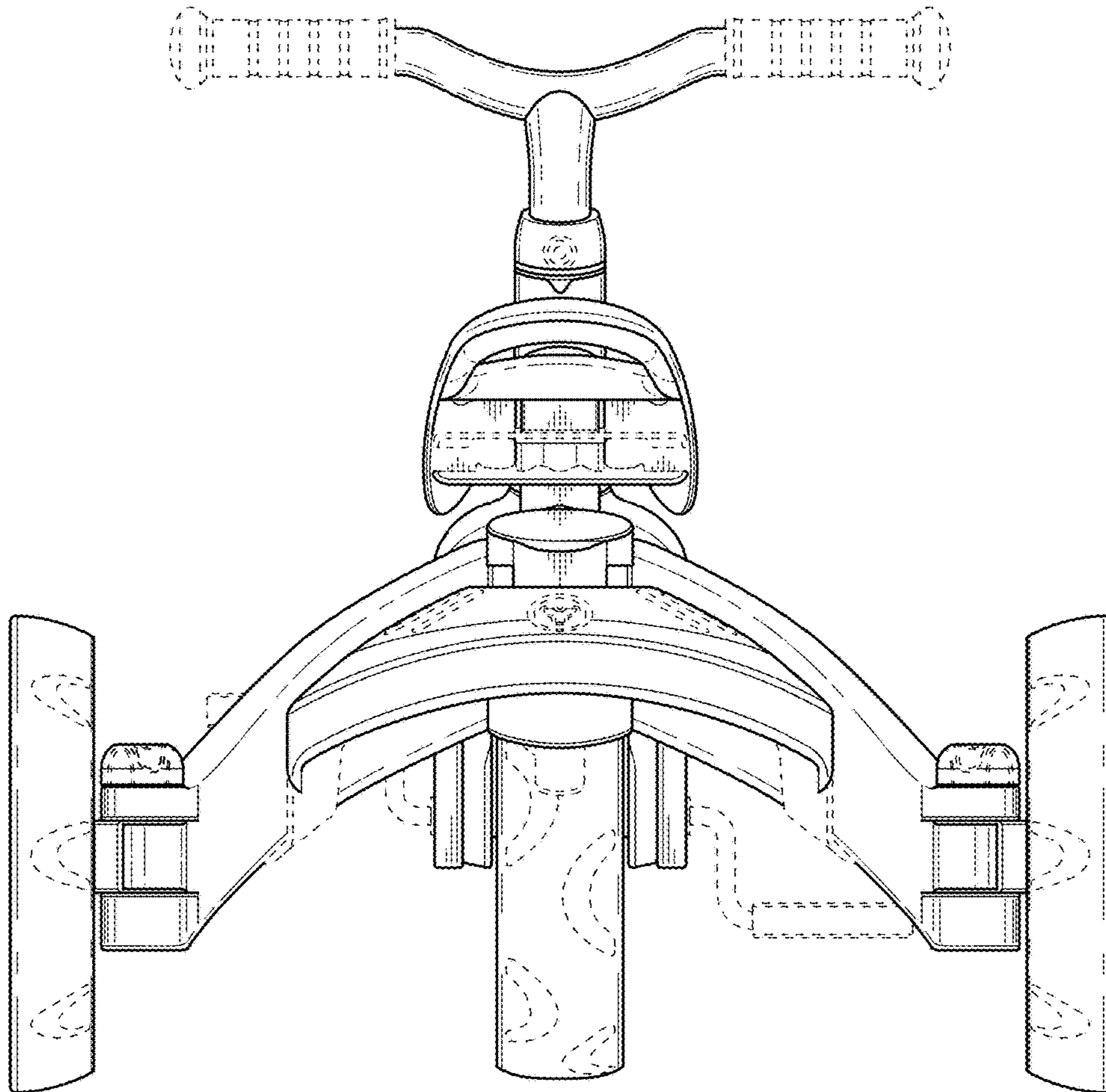


FIG. 7

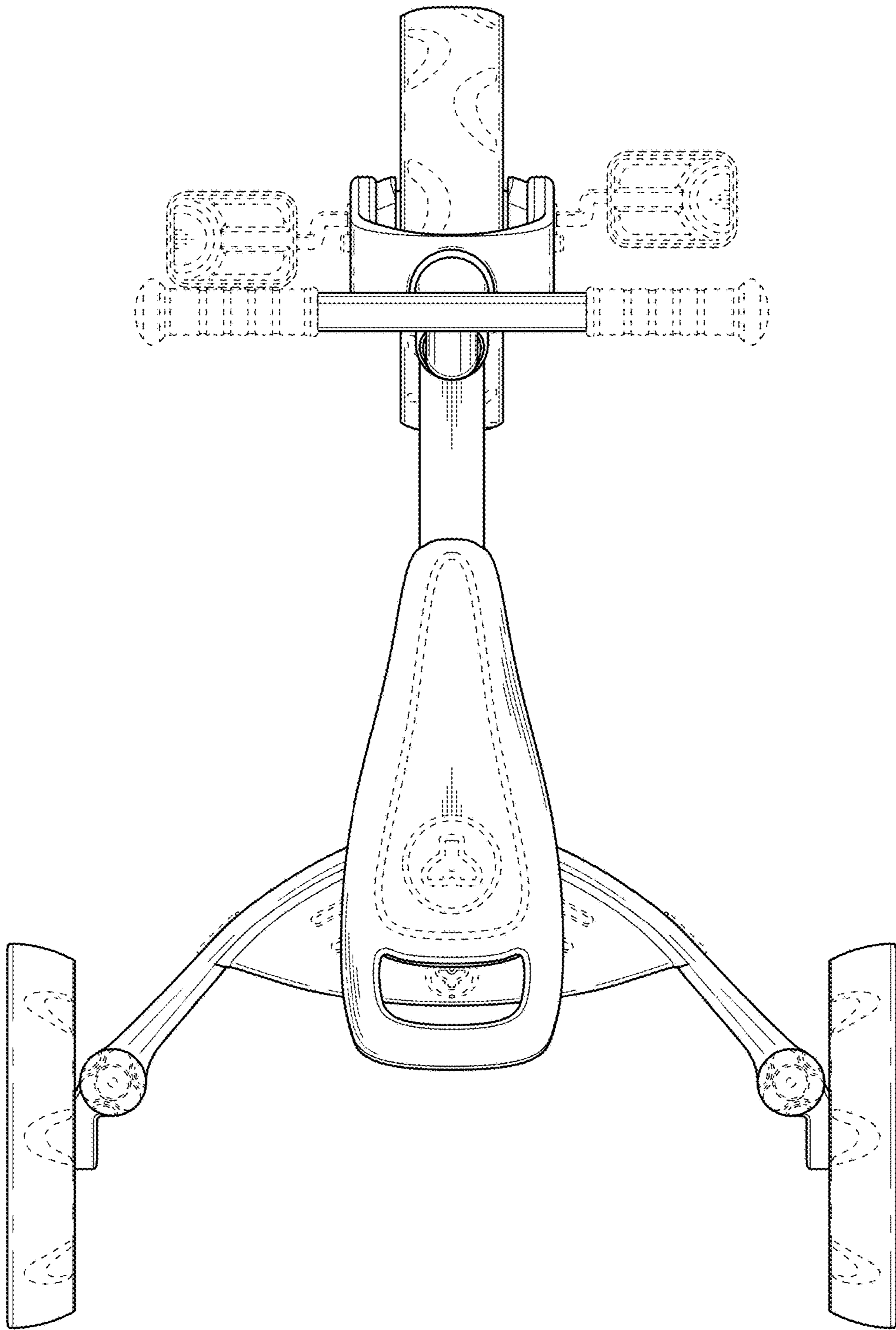


FIG. 8

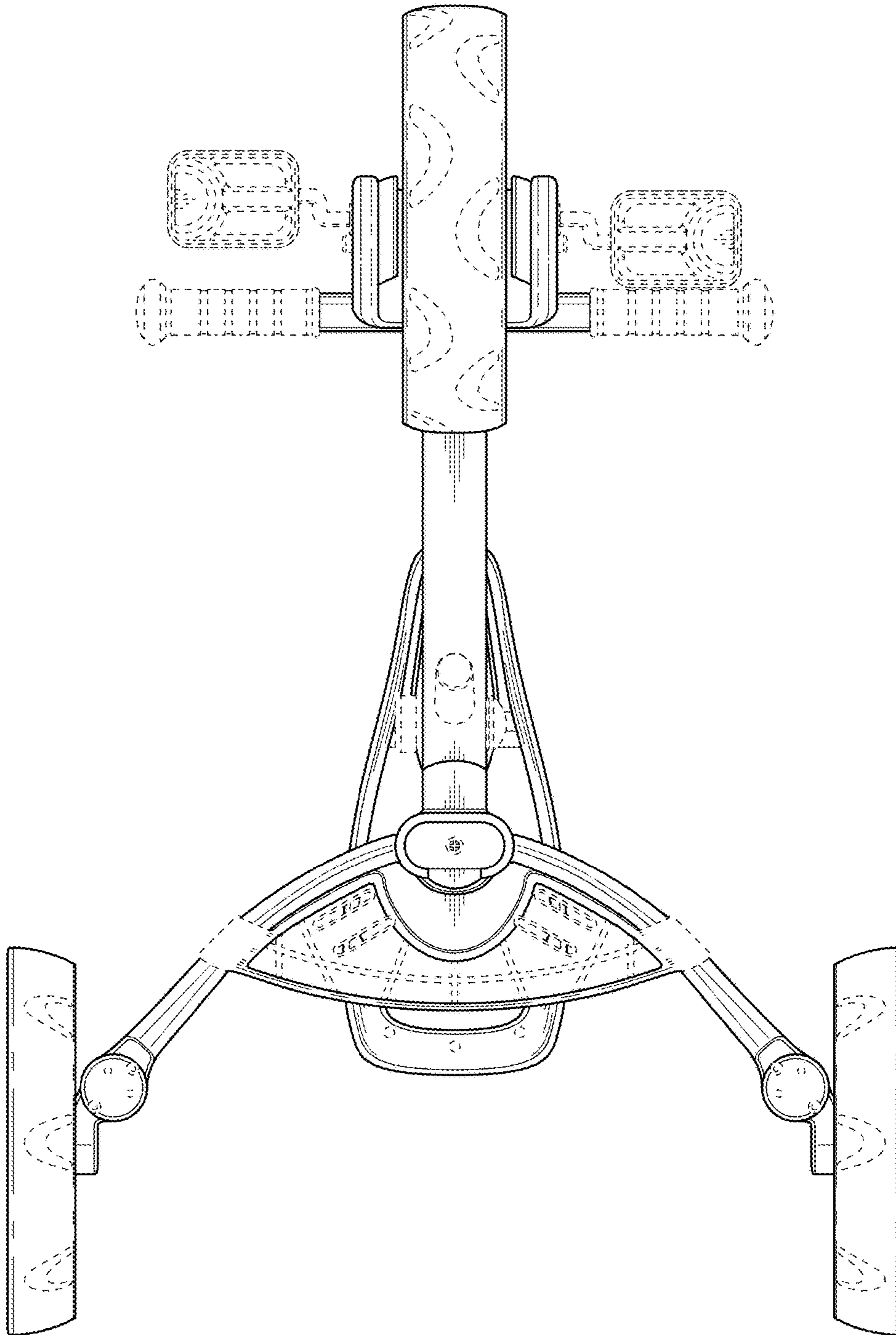


FIG. 9