



US00D827499S

(12) **United States Design Patent**  
**Janssen et al.**

(10) **Patent No.:** **US D827,499 S**

(45) **Date of Patent:** **\*\* Sep. 4, 2018**

(54) **VEHICLE TRUCK CAB, TOY, AND/OR REPLICAS THEREOF**

(71) Applicant: **Daimler AG**, Stuttgart (DE)

(72) Inventors: **Bertrand Janssen**, Boeblingen (DE); **Kai Sieber**, Stuttgart (DE); **Gorden Wagener**, Gaeufelden (DE)

(73) Assignee: **Daimler AG**, Stuttgart (DE)

(\*\*) Term: **15 Years**

(21) Appl. No.: **29/617,439**

(22) Filed: **Sep. 14, 2017**

(30) **Foreign Application Priority Data**

Mar. 15, 2017 (WO) ..... DM/095305

(51) **LOC (11) Cl.** ..... **12-16**

(52) **U.S. Cl.**  
USPC ..... **D12/96; D12/91**

(58) **Field of Classification Search**  
USPC ..... D12/173, 196, 86, 90-92, 181, 96, 93;  
180/69.21, 69.2, 69.22; 296/190.1-190.5,  
296/190.8, 193.11, 37.6  
CPC ..... B62D 25/10; B62D 25/06; B62D 65/02;  
B62D 25/12; B60Q 1/00  
See application file for complete search history.

(56) **References Cited**

**U.S. PATENT DOCUMENTS**

D323,134 S *	1/1992	Lechner	.....	D12/96
D367,443 S *	2/1996	Sacco	.....	D12/96
D423,412 S *	4/2000	Sacco	.....	D12/96
D442,519 S *	5/2001	Sacco	.....	D12/93
D444,101 S *	6/2001	Pfeiffer	.....	D12/91

D472,186 S *	3/2003	Pfeiffer	.....	D12/91
D514,026 S *	1/2006	Pfeiffer	.....	D12/91
D549,616 S *	8/2007	Pfeiffer	.....	D12/96
D550,122 S	9/2007	Pfeiffer	.....	
D550,127 S *	9/2007	Pfeiffer	.....	D12/96
D722,287 S	2/2015	Janssen et al.	.....	
D731,362 S *	6/2015	Gorsten Schuenemann ..		D12/91

\* cited by examiner

*Primary Examiner* — Melody N Brown

(74) *Attorney, Agent, or Firm* — Crowell & Moring LLP

(57) **CLAIM**

The ornamental design for a vehicle, toy, and/or replicas thereof, as shown and described.

**DESCRIPTION**

This application contains subject matter related to the following co-pending U.S. design patent applications:

Application Ser. No. 29/617,440, filed herewith and entitled “Vehicle, Toy, and/or Replicas Thereof”;

Application Ser. No. 29/617,441, filed herewith and entitled “Front Portion of a Vehicle, Toy, and/or Replicas Thereof”; and

Application Ser. No. 29/617,443, filed herewith and entitled “Front Portion of a Vehicle, Toy, and/or Replicas Thereof”.

FIG. 1 is a left, front perspective view of a vehicle, toy, and/or replicas thereof according to the design;

FIG. 2 is a front view thereof;

FIG. 3 is a rear view thereof;

FIG. 4 is a left side view thereof;

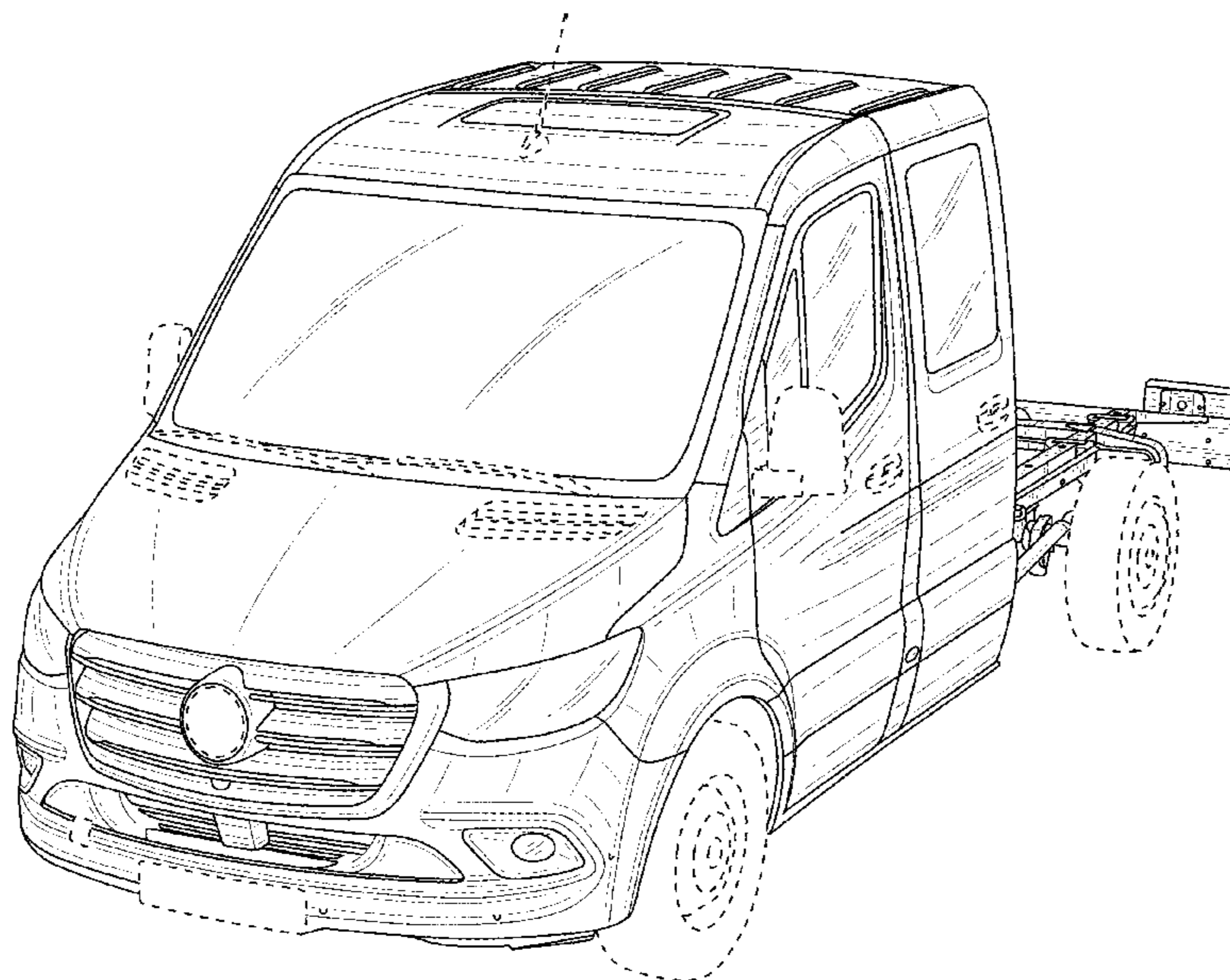
FIG. 5 is a right side view thereof; and,

FIG. 6 is a top view thereof.

The broken lines in the drawings illustrate environmental subject matter only and form no part of the claimed design.

Also enclosed is a set of photographs of an embodiment of the design.

**1 Claim, 6 Drawing Sheets**



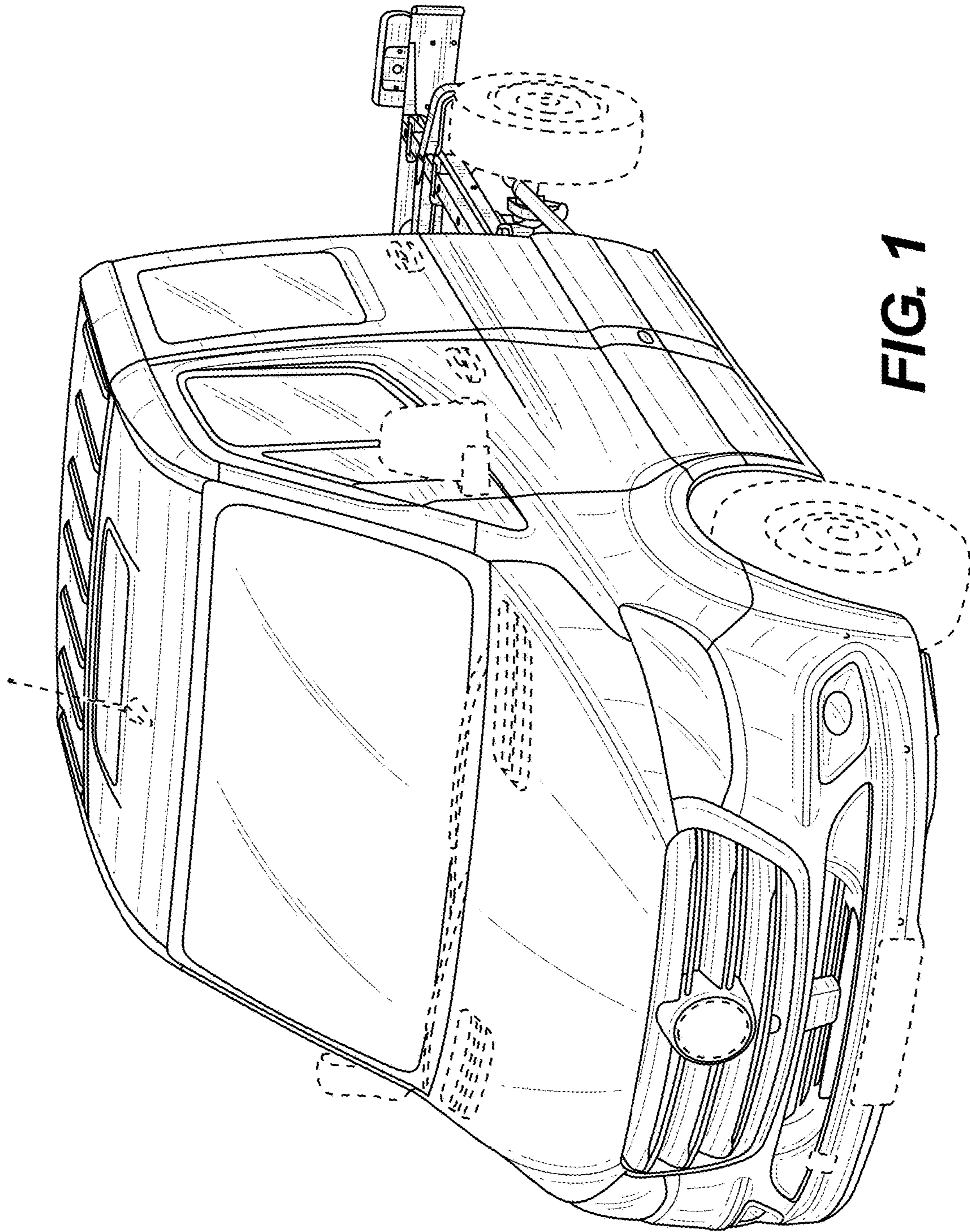
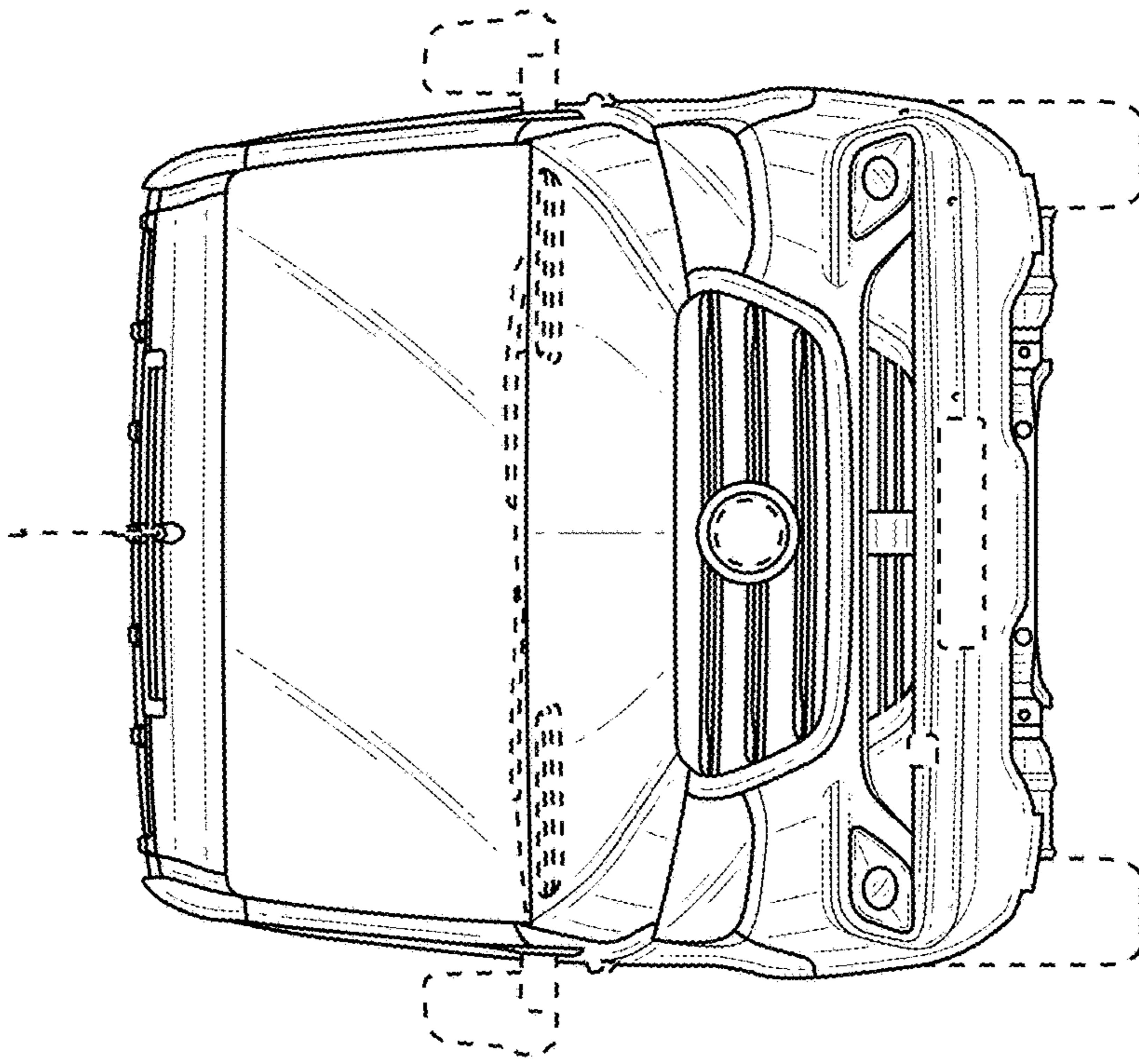
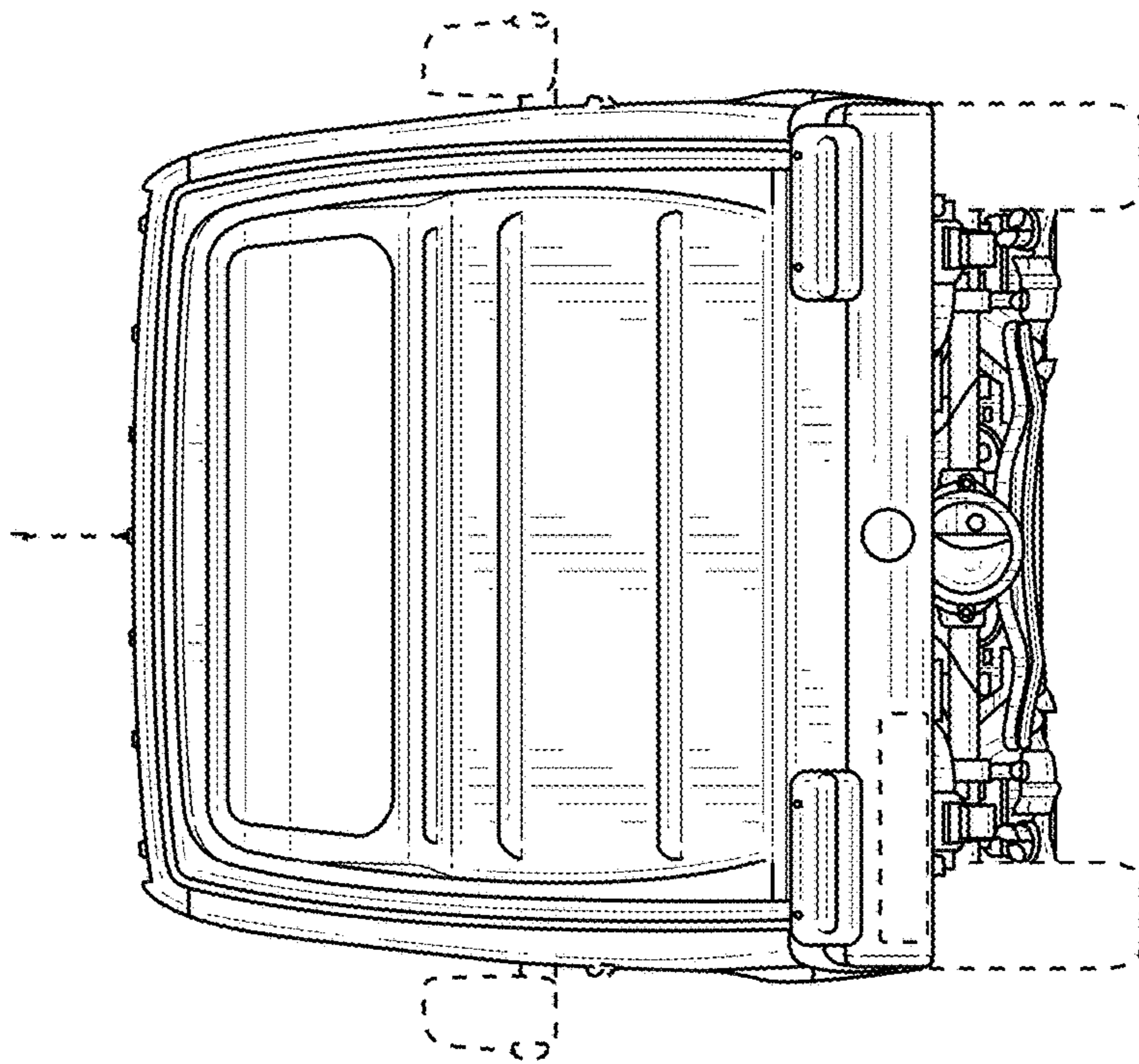


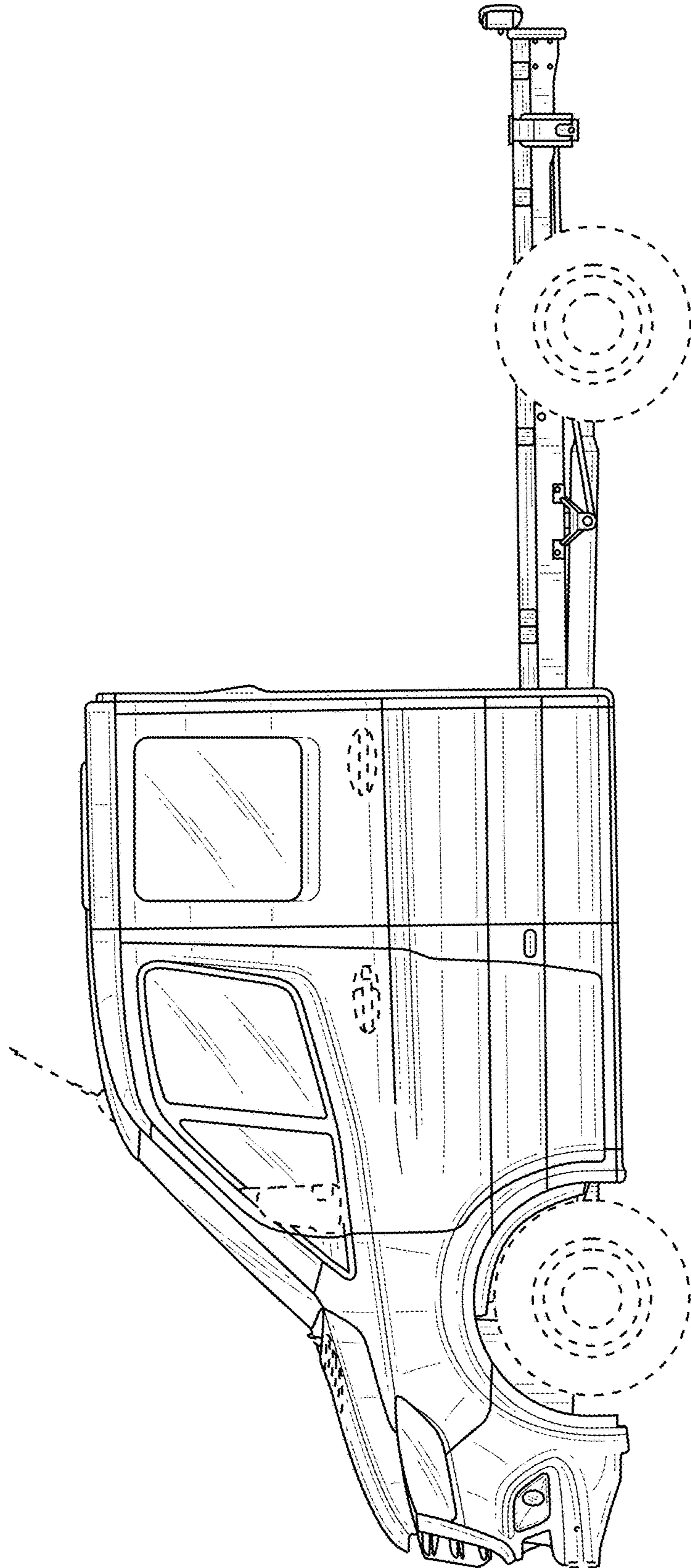
FIG. 1



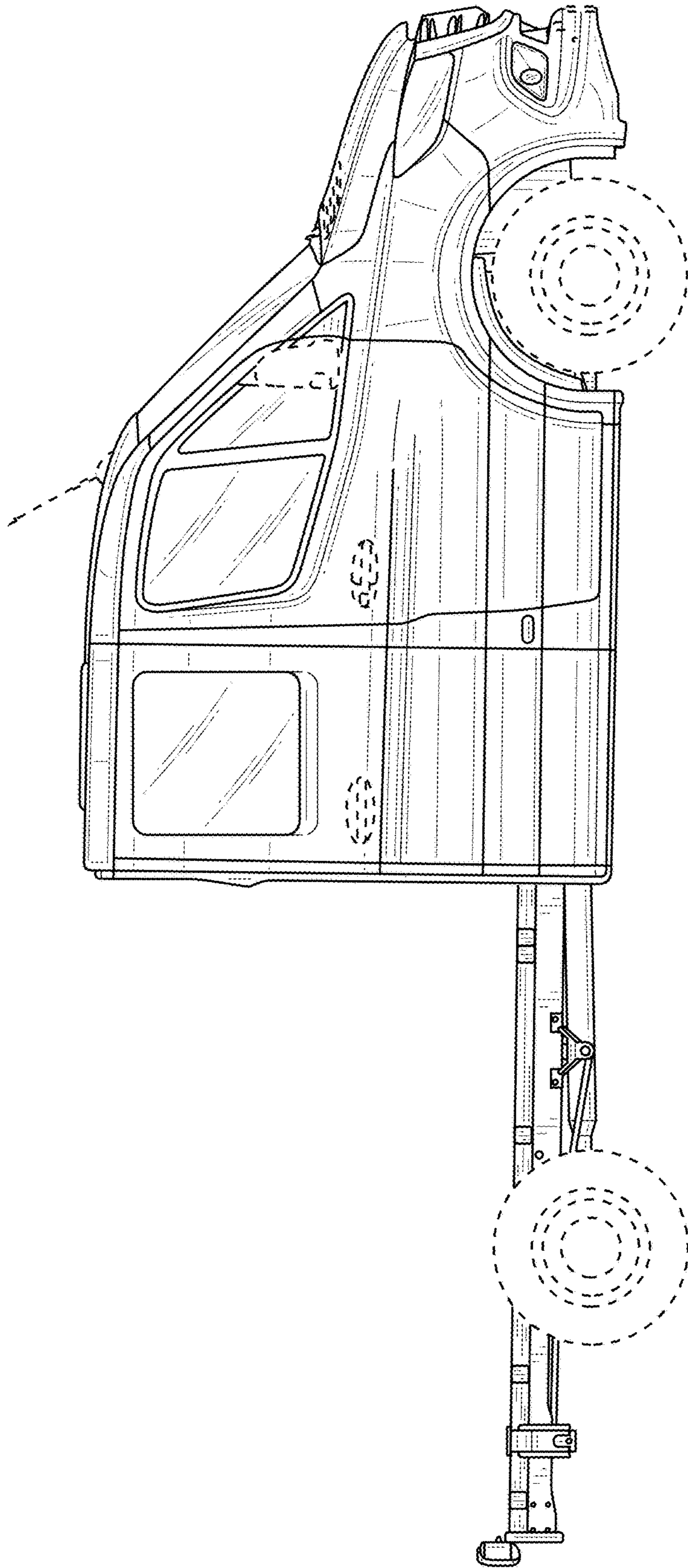
**FIG. 2**



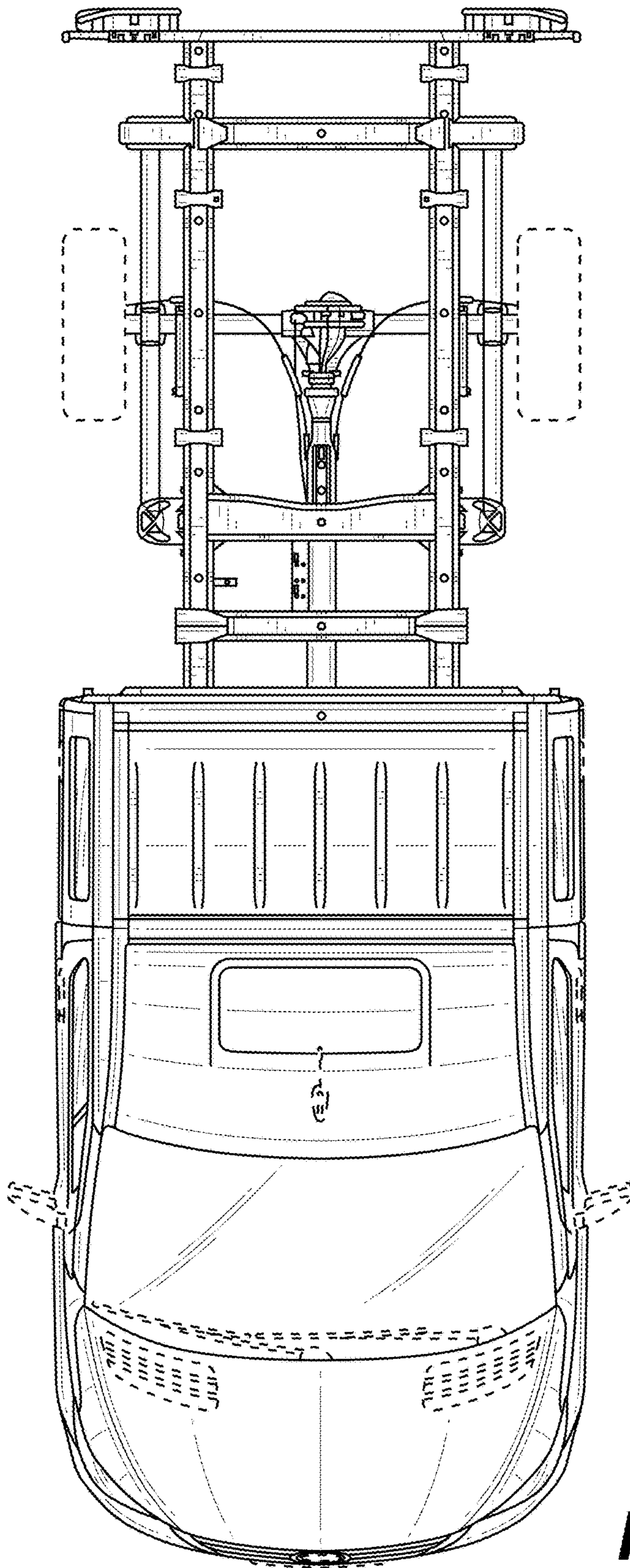
**FIG. 3**



**FIG. 4**



**FIG. 5**



**FIG. 6**