



US00D827496S

(12) **United States Design Patent** (10) **Patent No.:** **US D827,496 S**  
**Badstuebner et al.** (45) **Date of Patent:** **\*\* Sep. 4, 2018**

(54) **VEHICLE, TOY, AND/OR REPLICAS THEREOF**  
(71) Applicant: **Daimler AG**, Stuttgart (DE)  
(72) Inventors: **Achim-Dietrich Badstuebner**, Munich (DE); **Hans-Peter Bildhaeuser**, Boeblingen (DE); **Robert Lesnik**, Leonberg (DE); **Thomas Saelzle**, Kornwestheim (DE)

(73) Assignee: **Daimler AG**, Stuttgart (DE)  
(\*\*) Term: **15 Years**

(21) Appl. No.: **29/610,663**  
(22) Filed: **Jul. 14, 2017**

(30) **Foreign Application Priority Data**  
Jan. 19, 2017 (EM) ..... 003659846-0002  
(51) **LOC (11) Cl.** ..... **12-08**  
(52) **U.S. Cl.**  
USPC ..... **D12/91**  
(58) **Field of Classification Search**  
USPC ..... D12/86, 90-92, 88; D21/421, 433, 434;  
296/181.1, 181.5  
CPC ..... B62D 35/00; B62D 25/00; B62D 25/06;  
B62D 33/00  
See application file for complete search history.

(56) **References Cited**  
**U.S. PATENT DOCUMENTS**  
D513,716 S \* 1/2006 Acampora ..... D12/91  
D534,459 S \* 1/2007 Kim ..... D12/91  
D540,714 S \* 4/2007 Mueller-Stolz ..... D12/91

D575,677 S \* 8/2008 Hildebrand ..... D12/91  
D591,647 S \* 5/2009 Wang ..... D12/91  
D592,103 S \* 5/2009 Lo ..... D12/91  
D624,851 S \* 10/2010 Feng ..... D12/91  
D631,397 S \* 1/2011 Clottu ..... D12/91  
D643,339 S \* 8/2011 Burki ..... D12/91  
D684,093 S \* 6/2013 Woolley ..... D12/91  
D684,094 S \* 6/2013 Le Grice ..... D12/91  
D710,255 S \* 8/2014 Koehl et al.  
D713,362 S \* 9/2014 Sinai ..... D13/180

\* cited by examiner

*Primary Examiner* — Melody N Brown  
(74) *Attorney, Agent, or Firm* — Crowell & Moring LLP

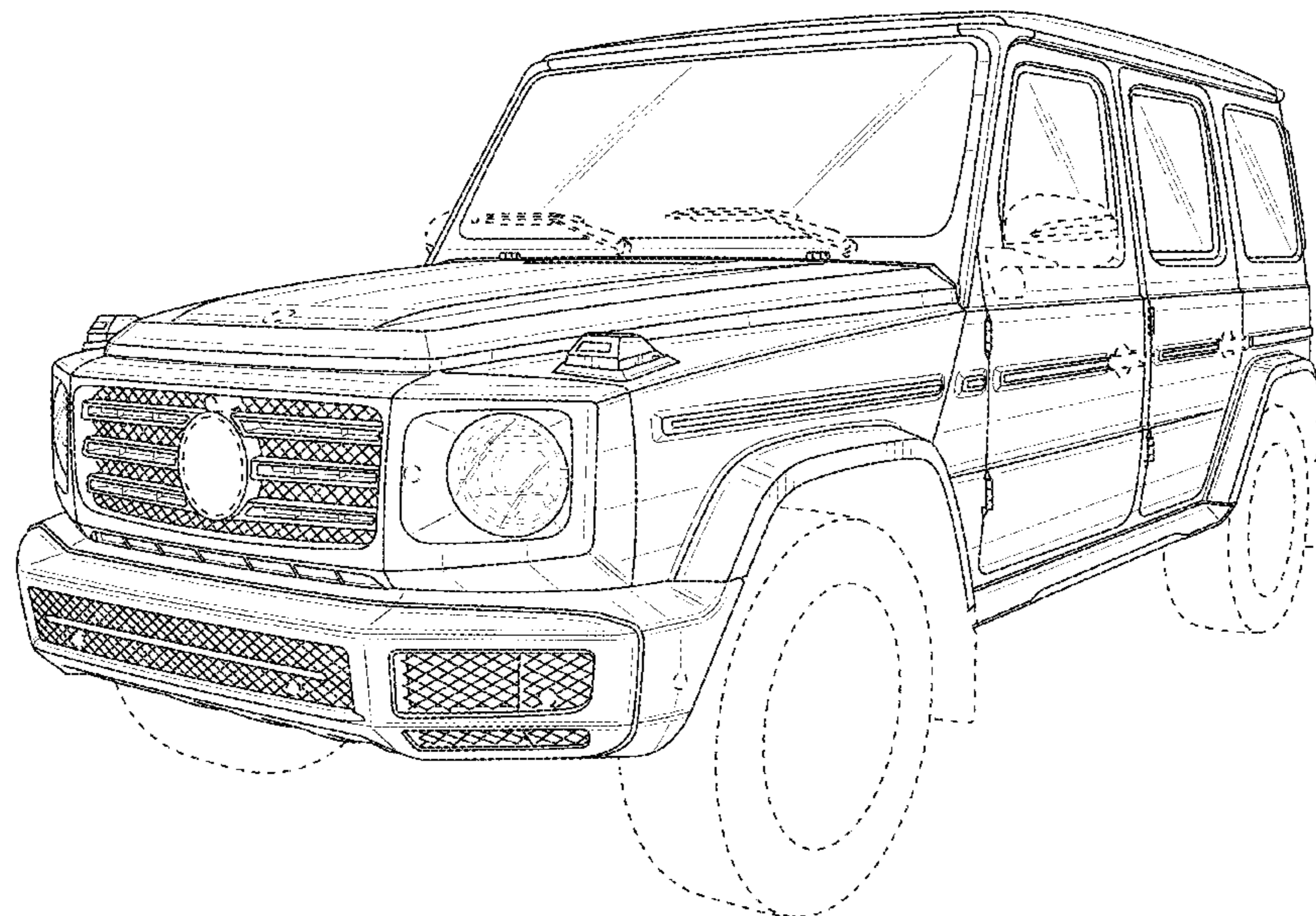
(57) **CLAIM**

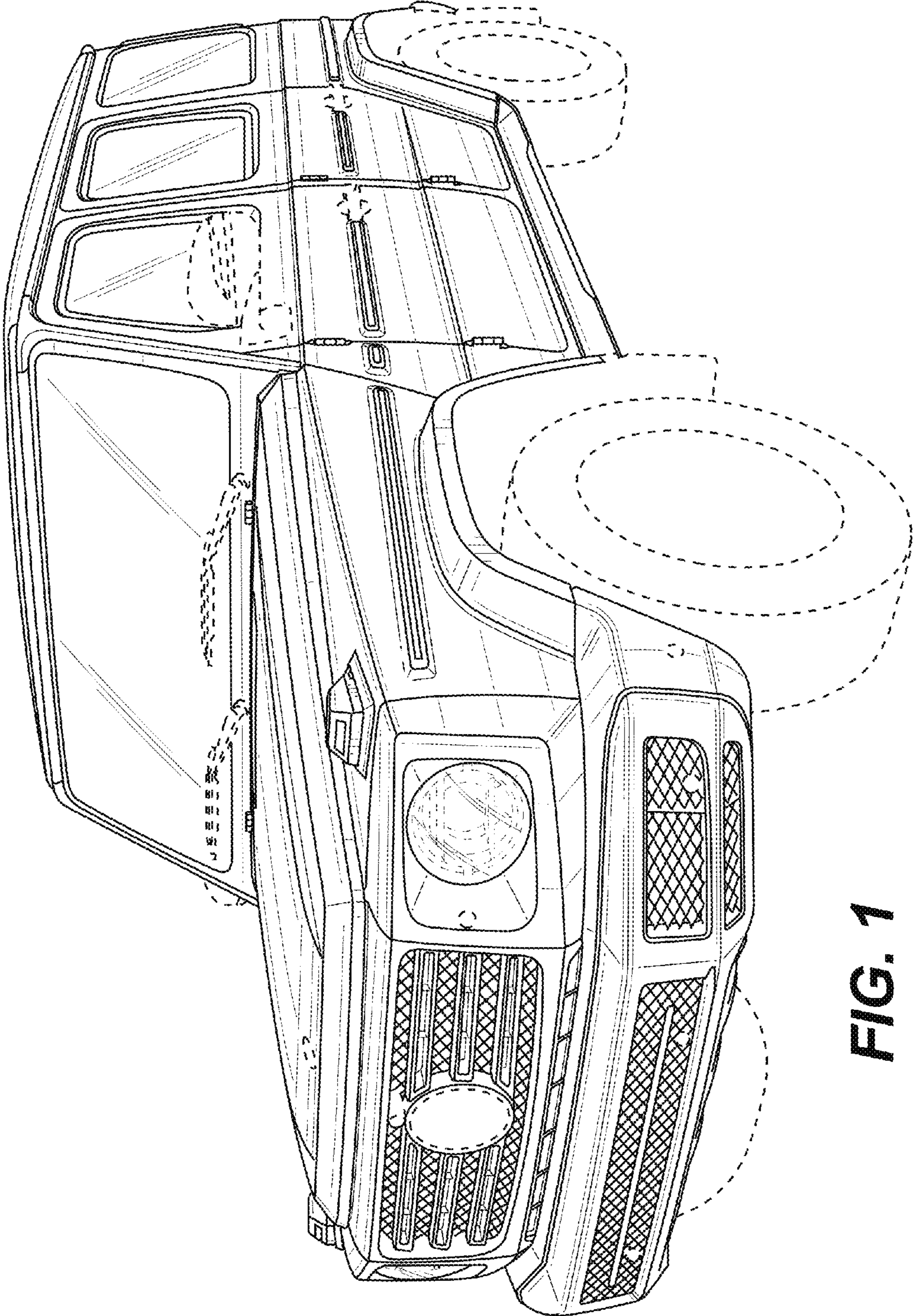
The ornamental design for a vehicle, toy, and/or replicas thereof, as shown and described.

**DESCRIPTION**

This application contains subject matter related to the following co-pending U.S. design patent applications: Application Ser. No. 29/621,270, filed Oct. 6, 2017 and entitled "Headlight for a Vehicle;" and Application Ser. No. 29/621,271, filed Oct. 6, 2017 and entitled "Taillight for a Vehicle."  
FIG. 1 is a left, front perspective view of a vehicle, toy, and/or replicas thereof according to the design;  
FIG. 2 is a left, rear perspective view thereof;  
FIG. 3 is a front view thereof;  
FIG. 4 is a rear view thereof;  
FIG. 5 is a right side view thereof;  
FIG. 6 is a left side view thereof; and,  
FIG. 7 is a top view thereof.  
The broken lines in the drawings illustrate environmental subject matter only and form no part of the claimed design.

**1 Claim, 7 Drawing Sheets**





**FIG. 1**

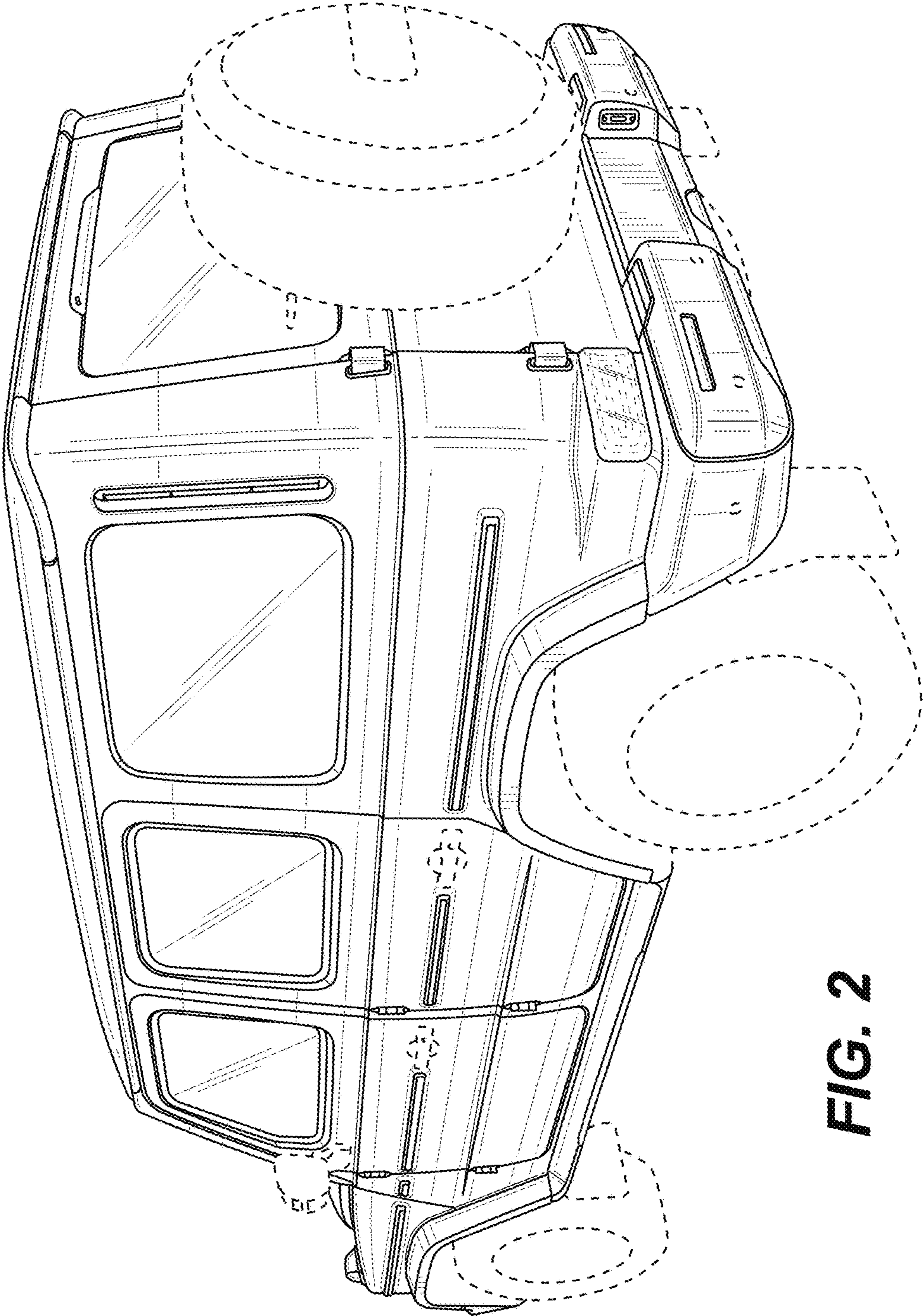
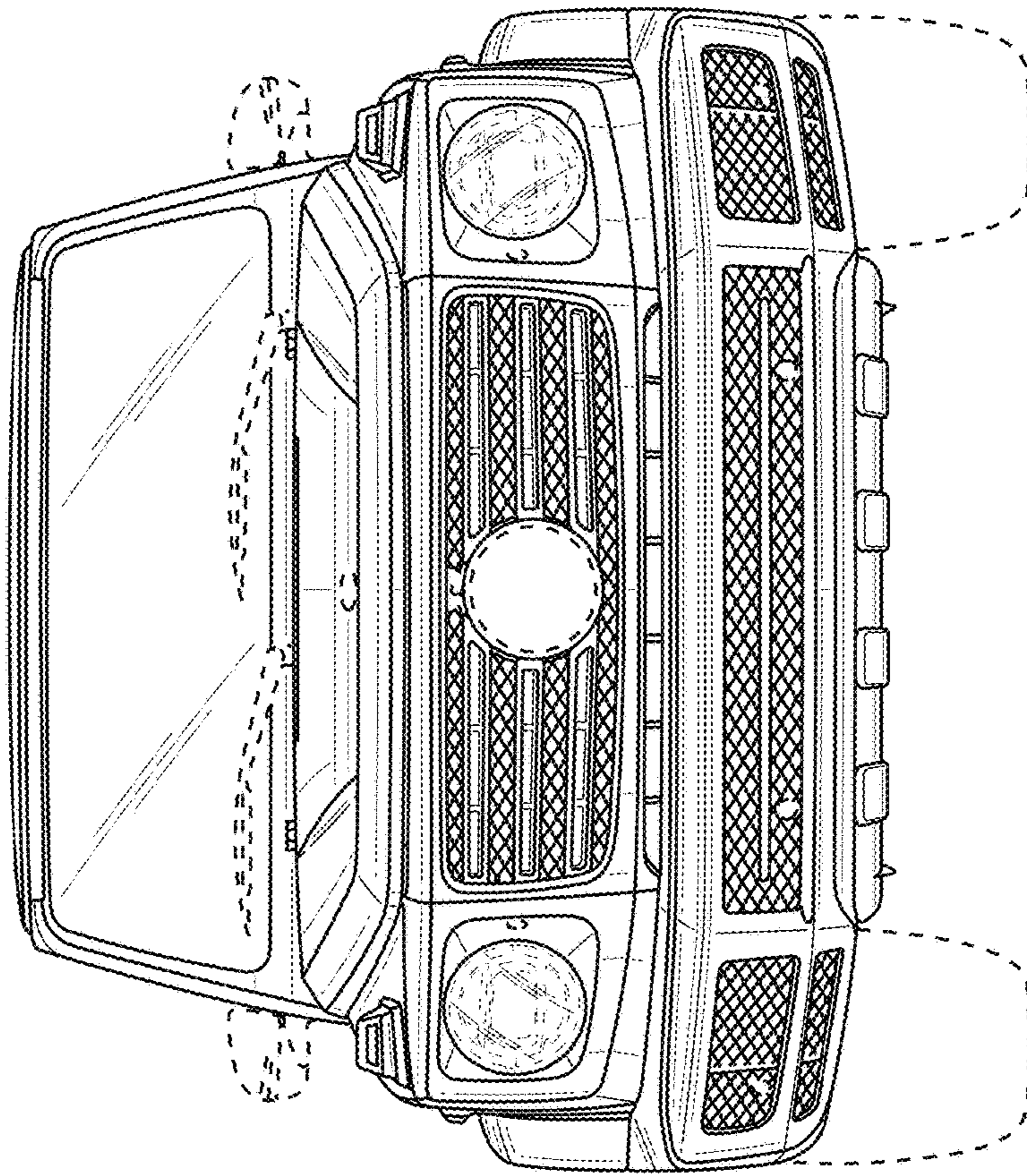
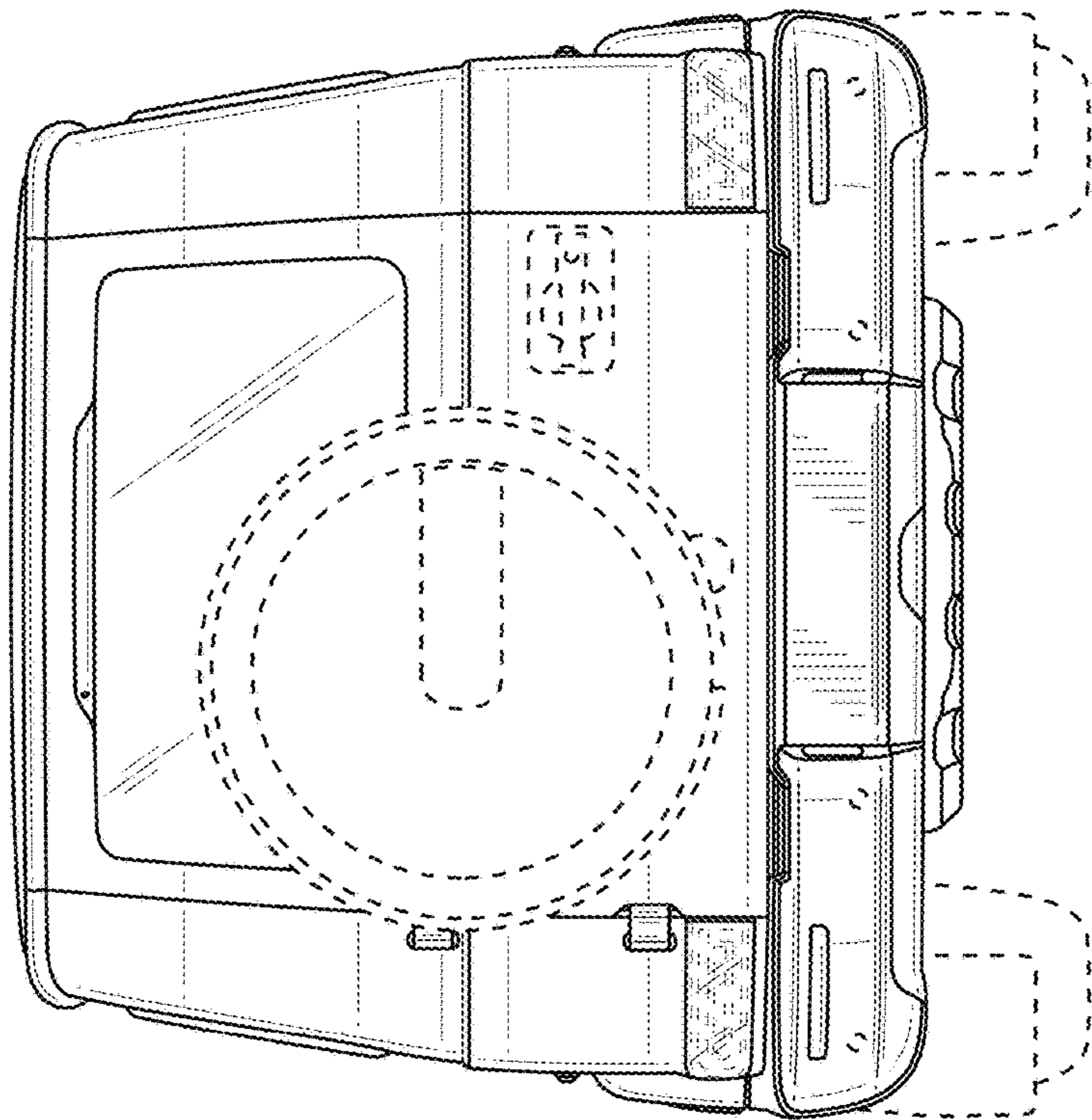


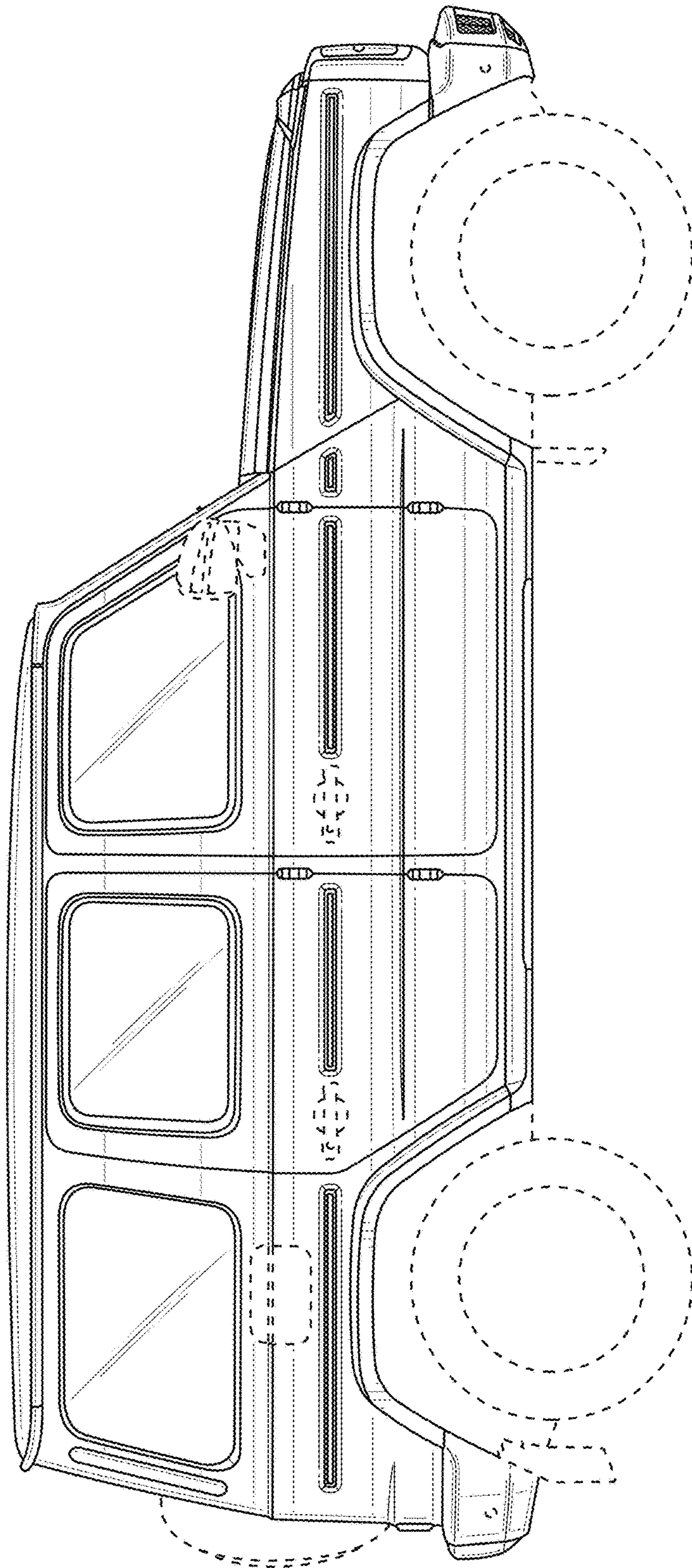
FIG. 2



**FIG. 3**



**FIG. 4**



**FIG. 5**

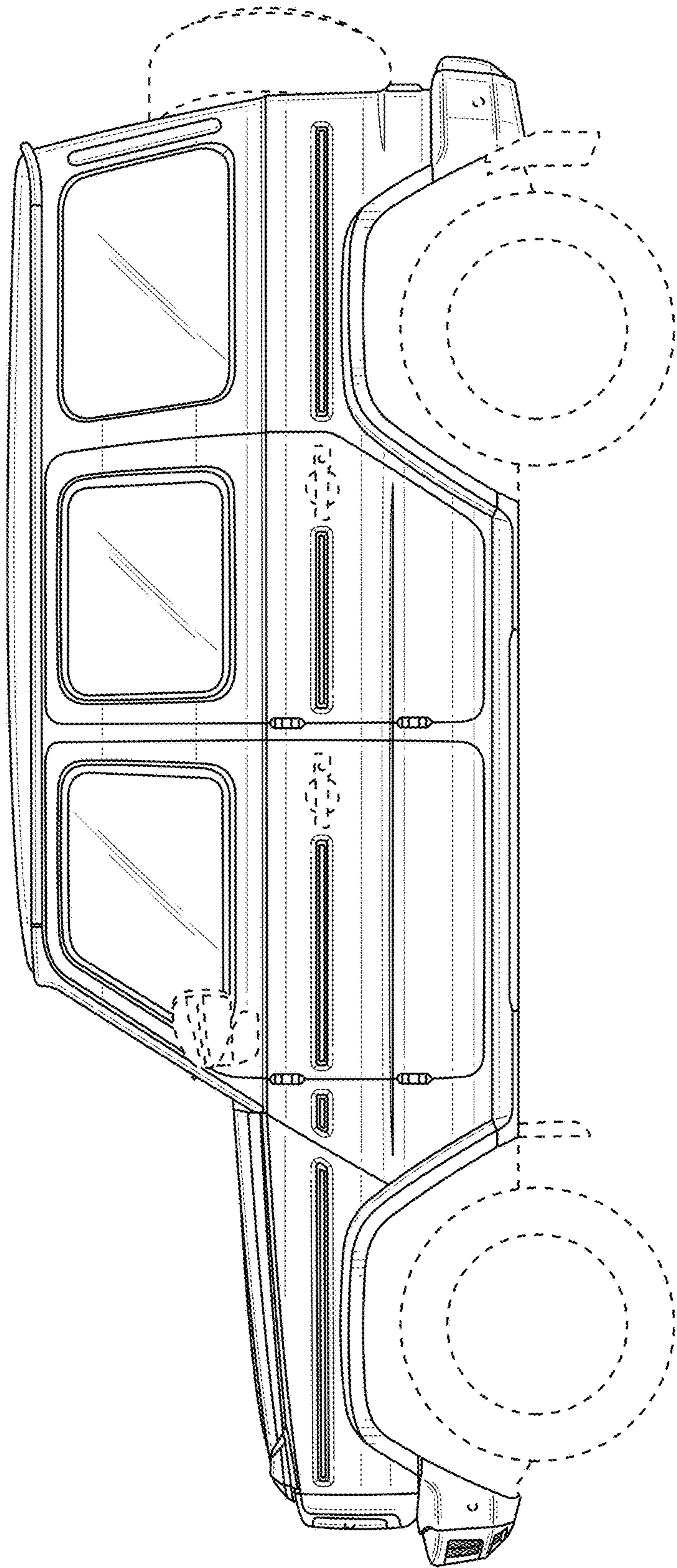


FIG. 6

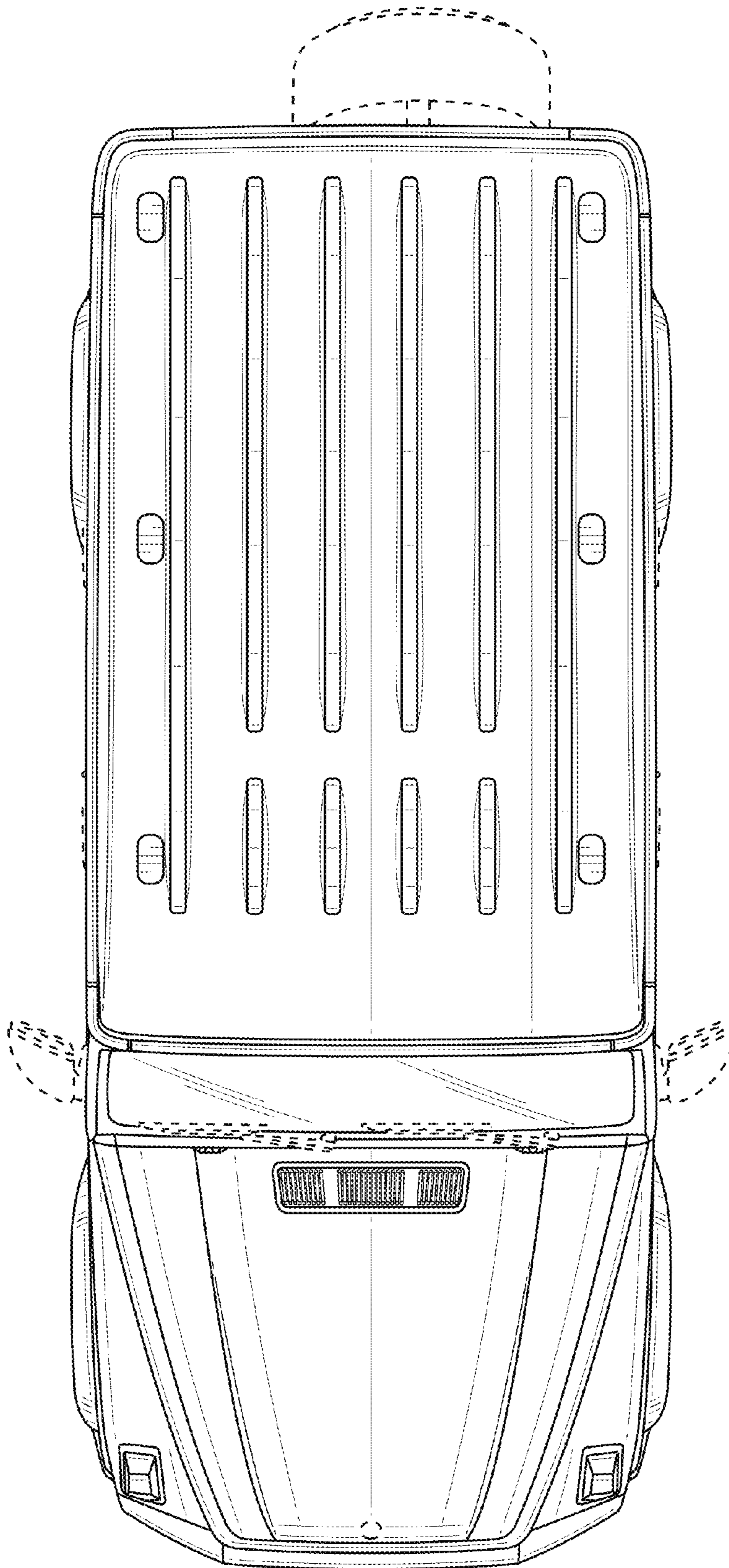


FIG. 7