



US00D827495S

(12) **United States Design Patent**
Piscitelli

(10) **Patent No.:** **US D827,495 S**
(45) **Date of Patent:** **** Sep. 4, 2018**

- (54) **AUTOMOBILE EXTERIOR**
- (71) Applicant: **Chris Piscitelli**, West Bloomfield, MI (US)
- (72) Inventor: **Chris Piscitelli**, West Bloomfield, MI (US)
- (73) Assignee: **FCA US LLC**, Auburn Hills, MI (US)

D507,766 S	7/2005	McMahan et al.	
D534,836 S	1/2007	Moushegian et al.	
D535,585 S *	1/2007	Moushegian	D12/91
D554,563 S *	11/2007	Moushegian	D12/91
D565,466 S *	4/2008	Moushegian	D12/91
D568,792 S *	5/2008	Moushegian	D12/91
D573,507 S *	7/2008	Moushegian	D12/91
D624,851 S *	10/2010	Feng	D12/91
D801,860 S *	11/2017	Piscitelli	D12/91
D810,626 S *	2/2018	Macey	D12/91
D811,270 S *	2/2018	Zhang	D12/91

(**) Term: **15 Years**

* cited by examiner

(21) Appl. No.: **29/609,857**

Primary Examiner — Melody N Brown

(22) Filed: **Jul. 6, 2017**

(74) *Attorney, Agent, or Firm* — Ralph E. Smith

(51) **LOC (11) Cl.** **12-08**

(52) **U.S. Cl.**
USPC **D12/91**

(58) **Field of Classification Search**
USPC D12/86, 90–92, 88; D21/421, 433, 434;
296/181.1, 181.5
CPC B62D 35/00; B62D 25/00; B62D 25/06;
B62D 33/00
See application file for complete search history.

(57) **CLAIM**

The ornamental design for an automobile exterior, as shown and described.

DESCRIPTION

FIG. 1 is a front perspective view of an automobile exterior showing our new design;
FIG. 2 is a rear perspective view thereof;
FIG. 3 is a side view thereof;
FIG. 4 is a front view thereof;
FIG. 5 is a rear view thereof; and,
FIG. 6 is a top view.

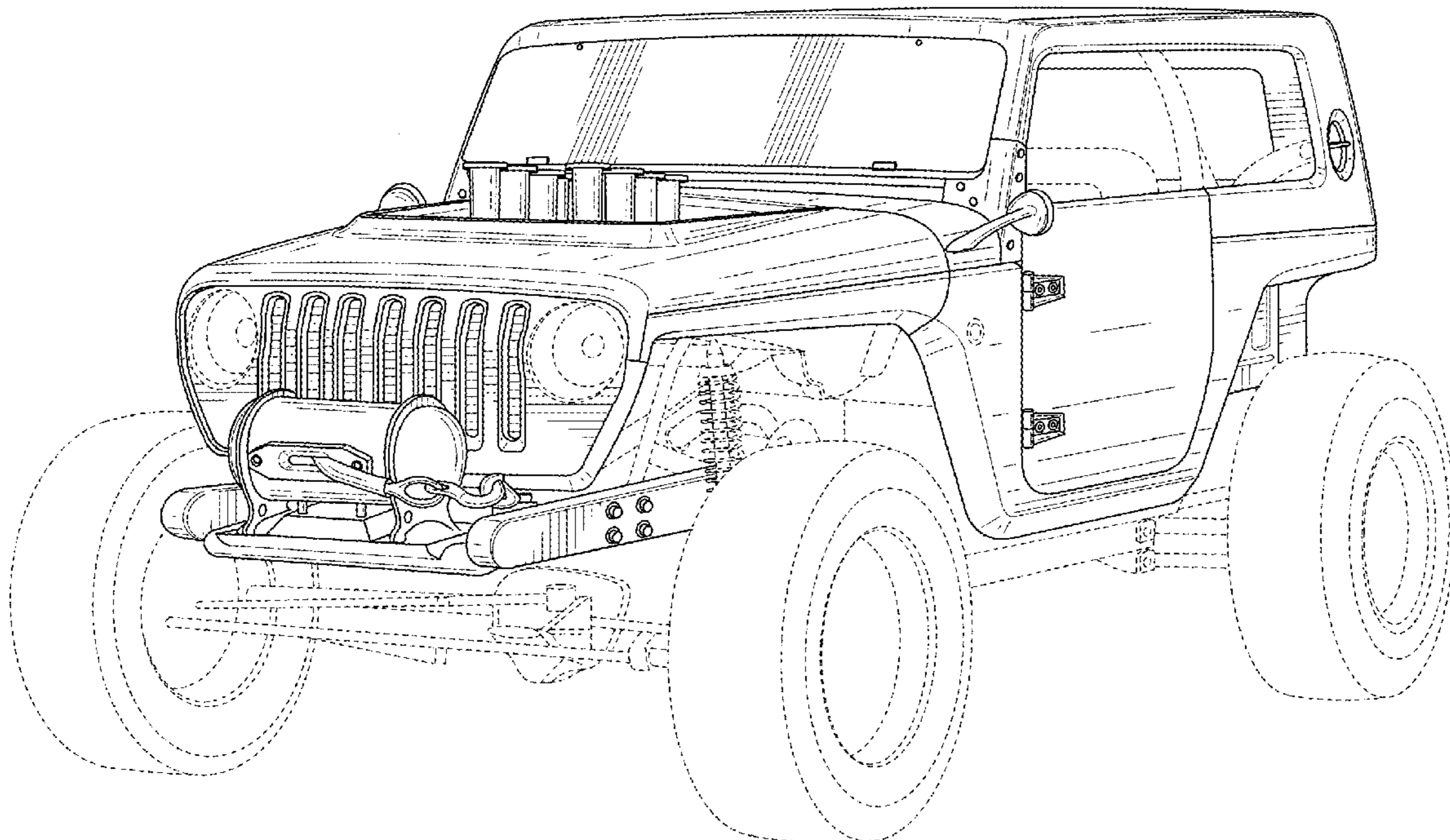
It will be understood that the broken lines shown in the drawings illustrate portions of the automobile exterior that form no part of claimed design.

(56) **References Cited**

U.S. PATENT DOCUMENTS

D383,710 S	9/1997	Guichard et al.	
D391,520 S	3/1998	Laster	
D466,444 S	12/2002	Meadows	
D497,572 S *	10/2004	Widmann	D12/91

1 Claim, 6 Drawing Sheets



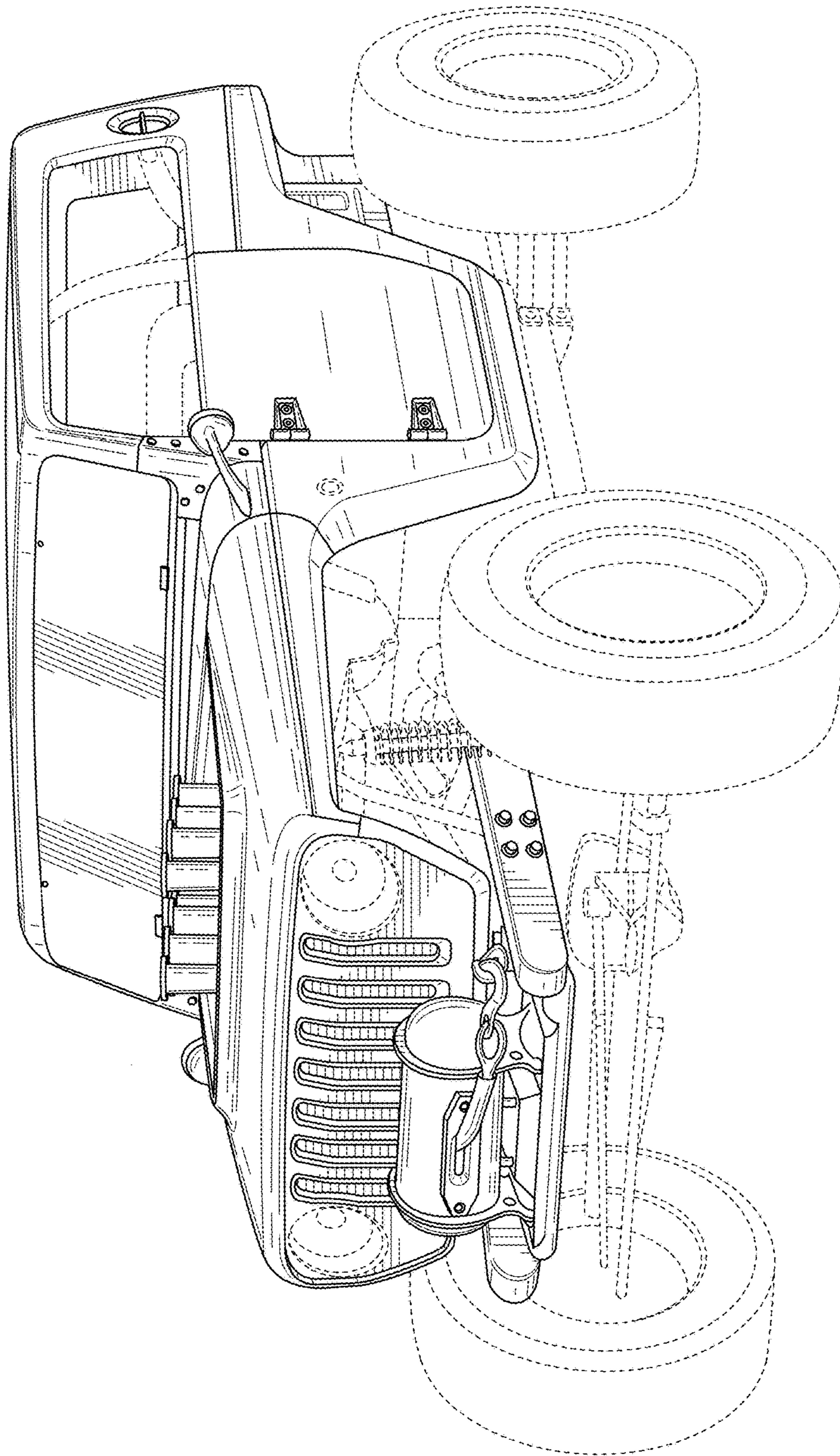


FIG. 1

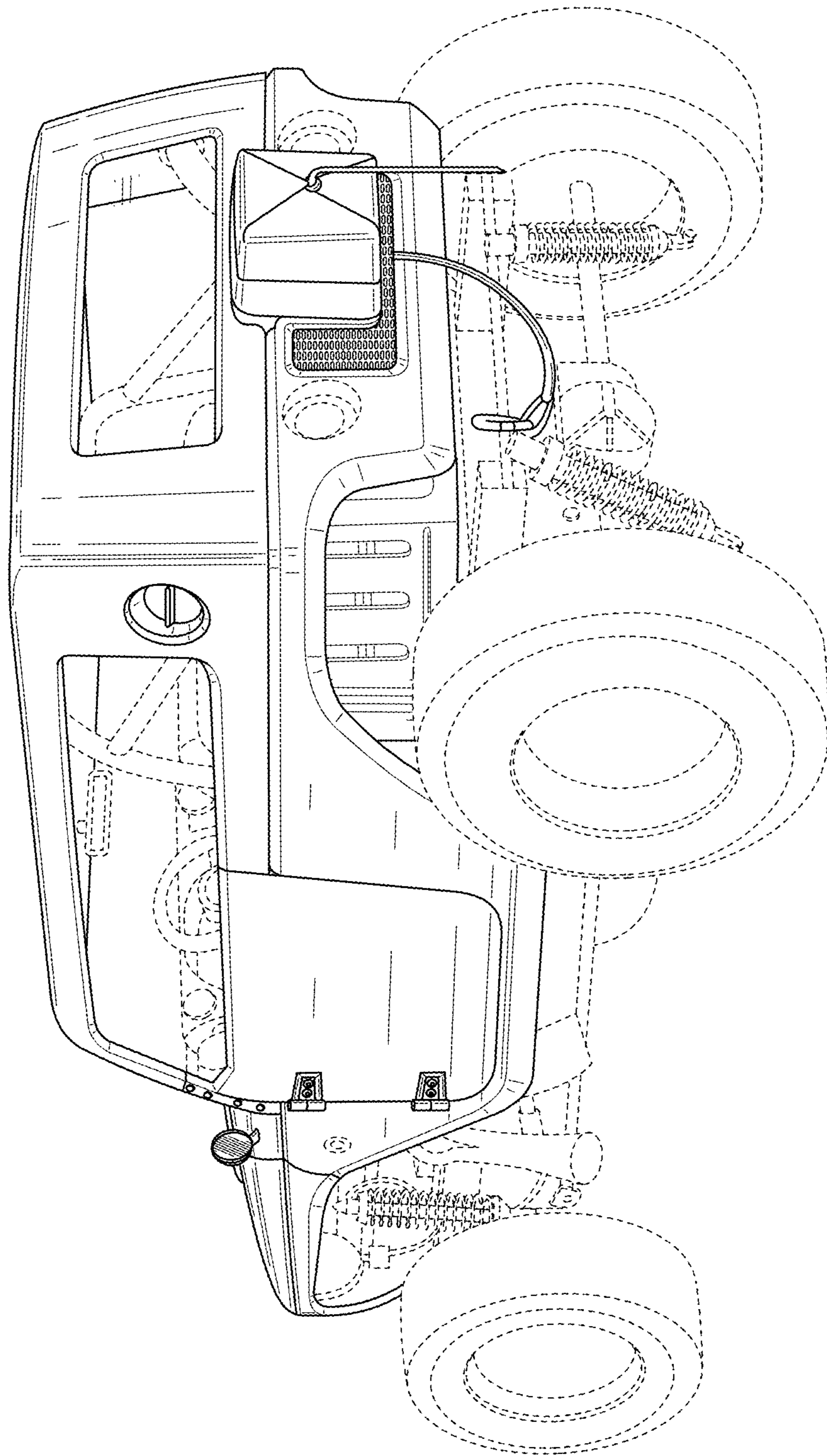


FIG. 2

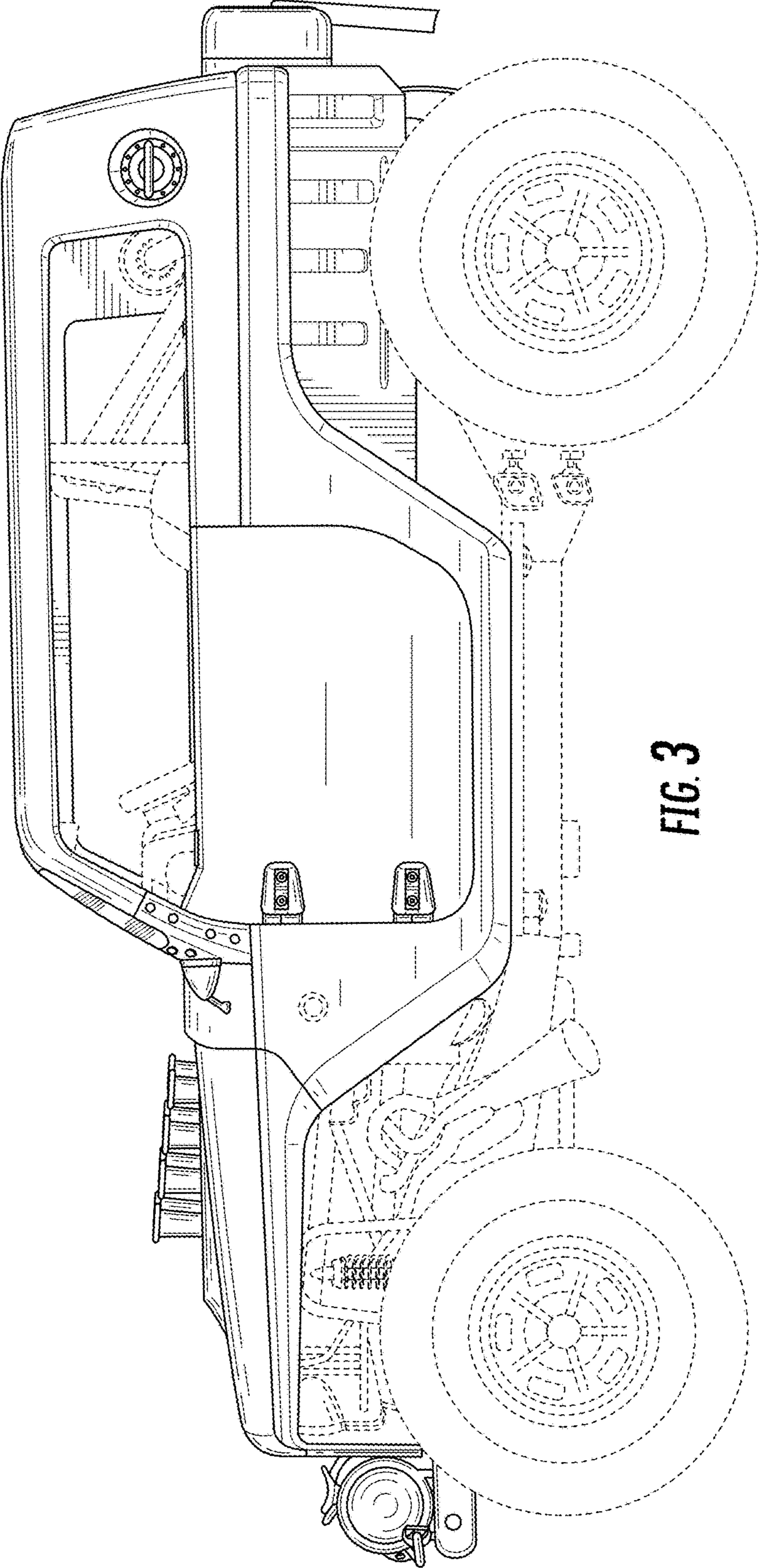


FIG. 3

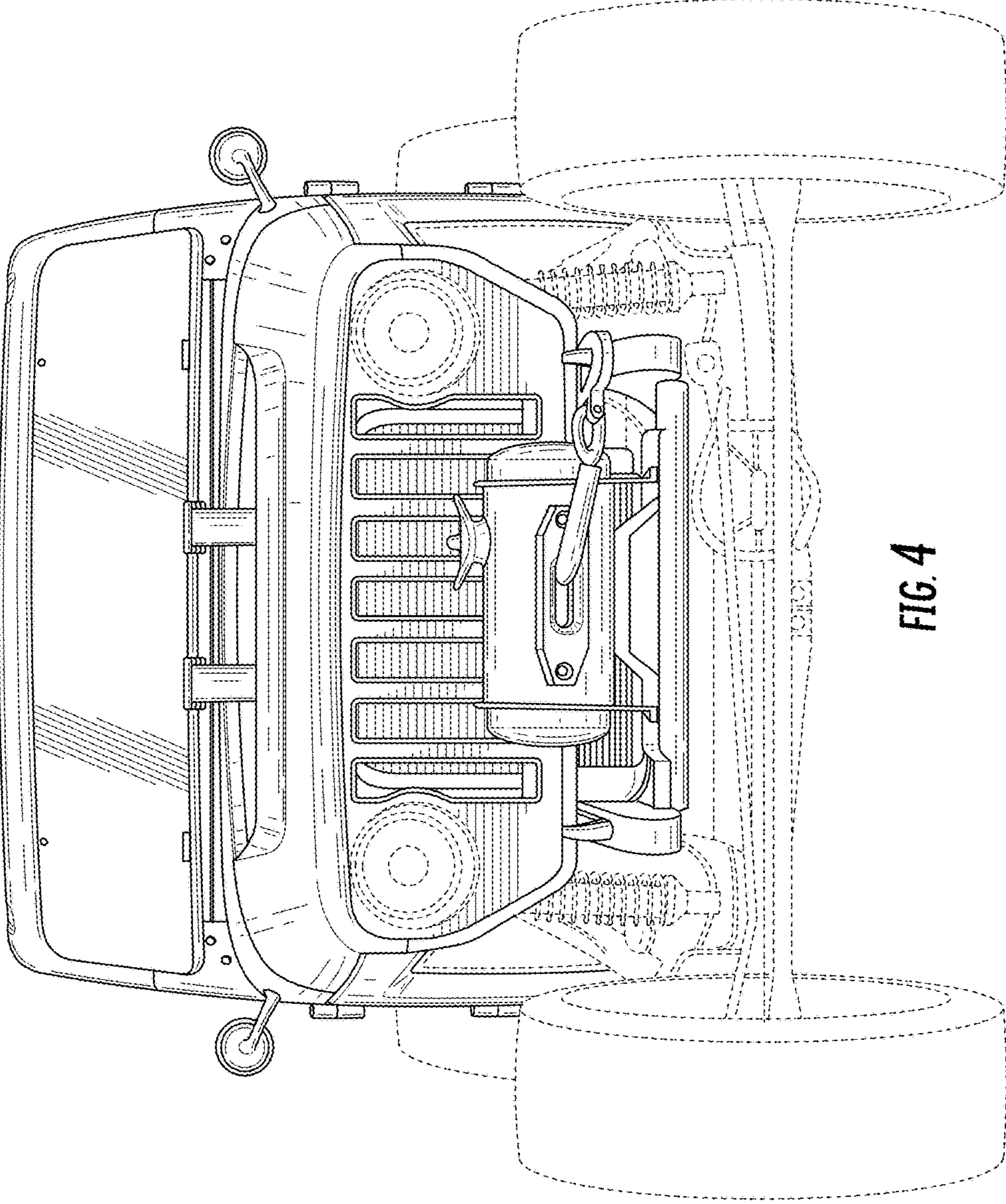


FIG. 4

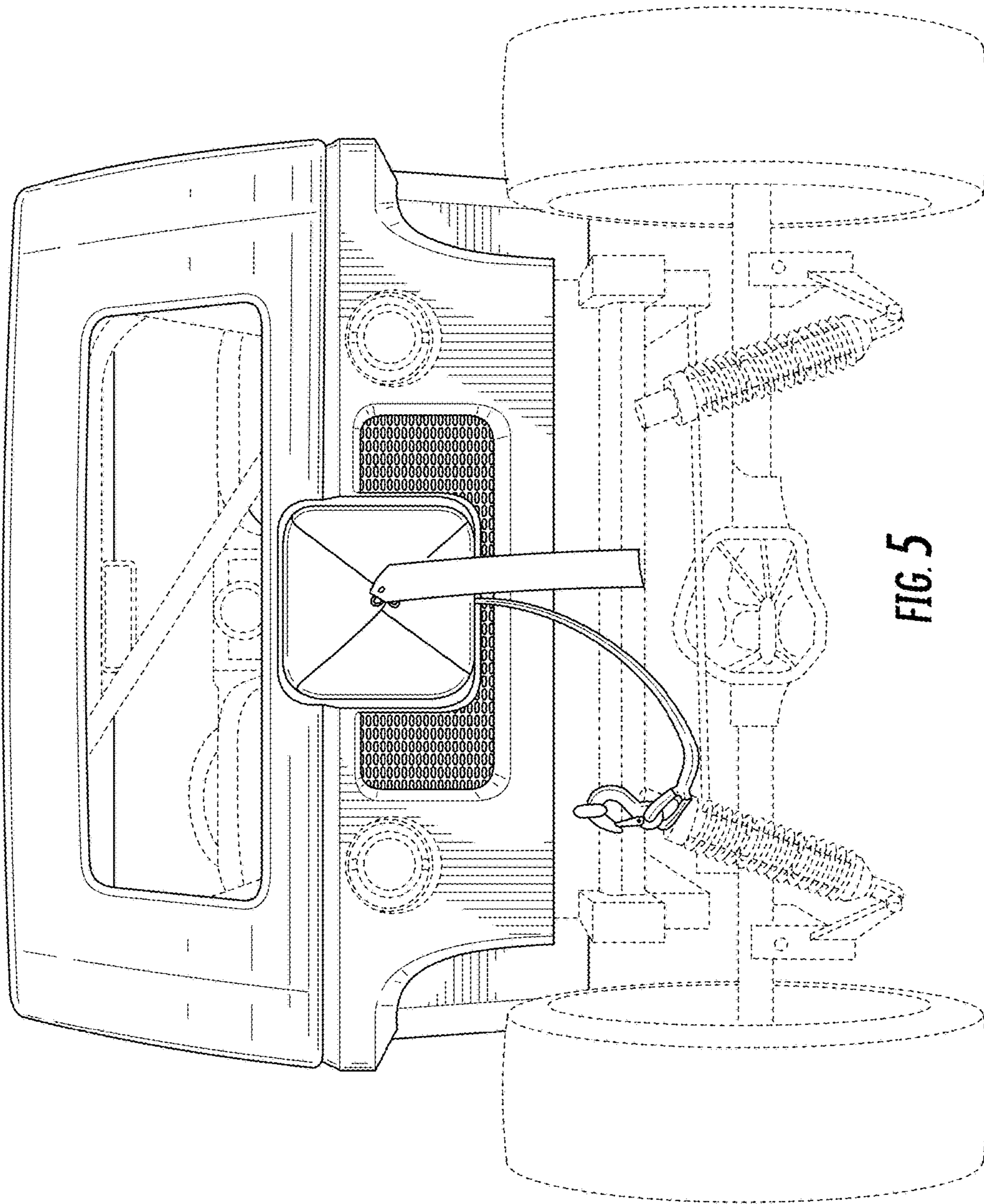


FIG. 5

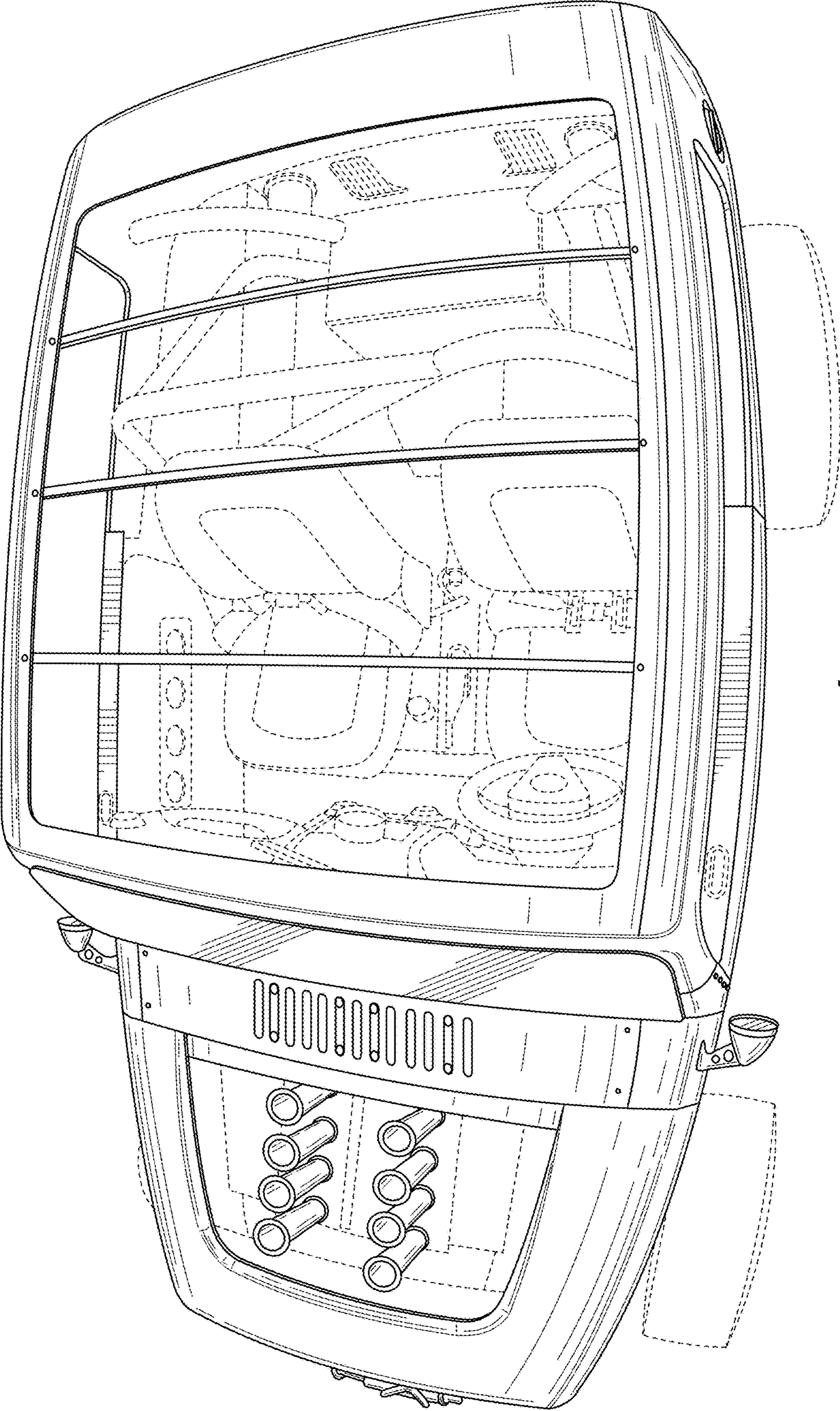


FIG. 6