



US00D827491S

(12) **United States Design Patent**  
**Halpern**

(10) **Patent No.:** **US D827,491 S**

(45) **Date of Patent:** **\*\* Sep. 4, 2018**

(54) **CUFF LINK STRAP**

(71) Applicant: **Eric Halpern**, Elkins Park, PA (US)

(72) Inventor: **Eric Halpern**, Elkins Park, PA (US)

(\*\*) Term: **15 Years**

(21) Appl. No.: **29/541,713**

(22) Filed: **Oct. 7, 2015**

(51) **LOC (11) Cl.** ..... **02-07**

(52) **U.S. Cl.**

USPC ..... **D11/222**

(58) **Field of Classification Search**

USPC .... D11/200–217, 222–230, 30, 3, 4, 26, 27,  
D11/40; D2/891; D3/327; D8/3, 394,  
D8/396; D9/434; D20/22; 63/3.1, 20,  
63/29.1, 40; 24/16 PB, 102 E, 102 FC,  
24/102 P, 102 PL, 102 R, 102 SL,  
24/109–110, 114.44, 90.5, 97;  
215/395–396

CPC ..... A41F 17/00; A44B 1/00; A44B 1/123;  
A44B 1/14; A44B 3/02; A44B 3/04;  
A44B 5/00; A44B 5/002; A44B 5/02;  
A44B 5/005; A44B 6/00; A44C 13/00;  
A44C 1/00; A44C 25/00; A44C 25/005;  
A44C 25/007; A44C 3/00; A44C 3/002;  
A44C 3/004; A44C 3/005; A44C 3/008;  
A45F 5/10; B65D 63/10; B65D 63/1027;  
G09F 3/04; G09F 3/14; A43B 1/0036

See application file for complete search history.

(56) **References Cited**

**U.S. PATENT DOCUMENTS**

2,961,785 A \* 11/1960 Toepfer ..... G09F 3/04  
24/16 PB  
3,116,947 A \* 1/1964 Brownrigg ..... A45F 5/10  
215/396  
3,255,501 A \* 6/1966 Laguerre ..... B65D 63/10  
24/16 PB

(Continued)

*Primary Examiner* — Brandon M Rosati

(74) *Attorney, Agent, or Firm* — Baker & Hostetler LLP

(57) **CLAIM**

The ornamental design for a cuff link strap, as shown and described.

**DESCRIPTION**

FIG. 1 is a top view of a cuff link strap of the first embodiment of my new design with the strap having holes in a longitudinal direction;

FIG. 2 is a bottom view thereof;

FIG. 3 is a left side view thereof;

FIG. 4 is a right side view thereof;

FIG. 5 is a front view thereof;

FIG. 6 is a rear view thereof;

FIG. 7 is a top, right perspective view thereof;

FIG. 8 is a top view of a cuff link strap of the second embodiment of my new design with the strap having holes in a lateral direction;

FIG. 9 is a bottom view thereof;

FIG. 10 is a left side view thereof;

FIG. 11 is a right side view thereof;

FIG. 12 is a front view thereof;

FIG. 13 is a rear view thereof;

FIG. 14 is a top, right perspective view thereof;

FIG. 15 is a top view of a cuff link strap of the third embodiment of my new design with the strap having holes in a lateral direction;

FIG. 16 is a bottom view thereof;

FIG. 17 is a left side view thereof;

FIG. 18 is a right side view thereof;

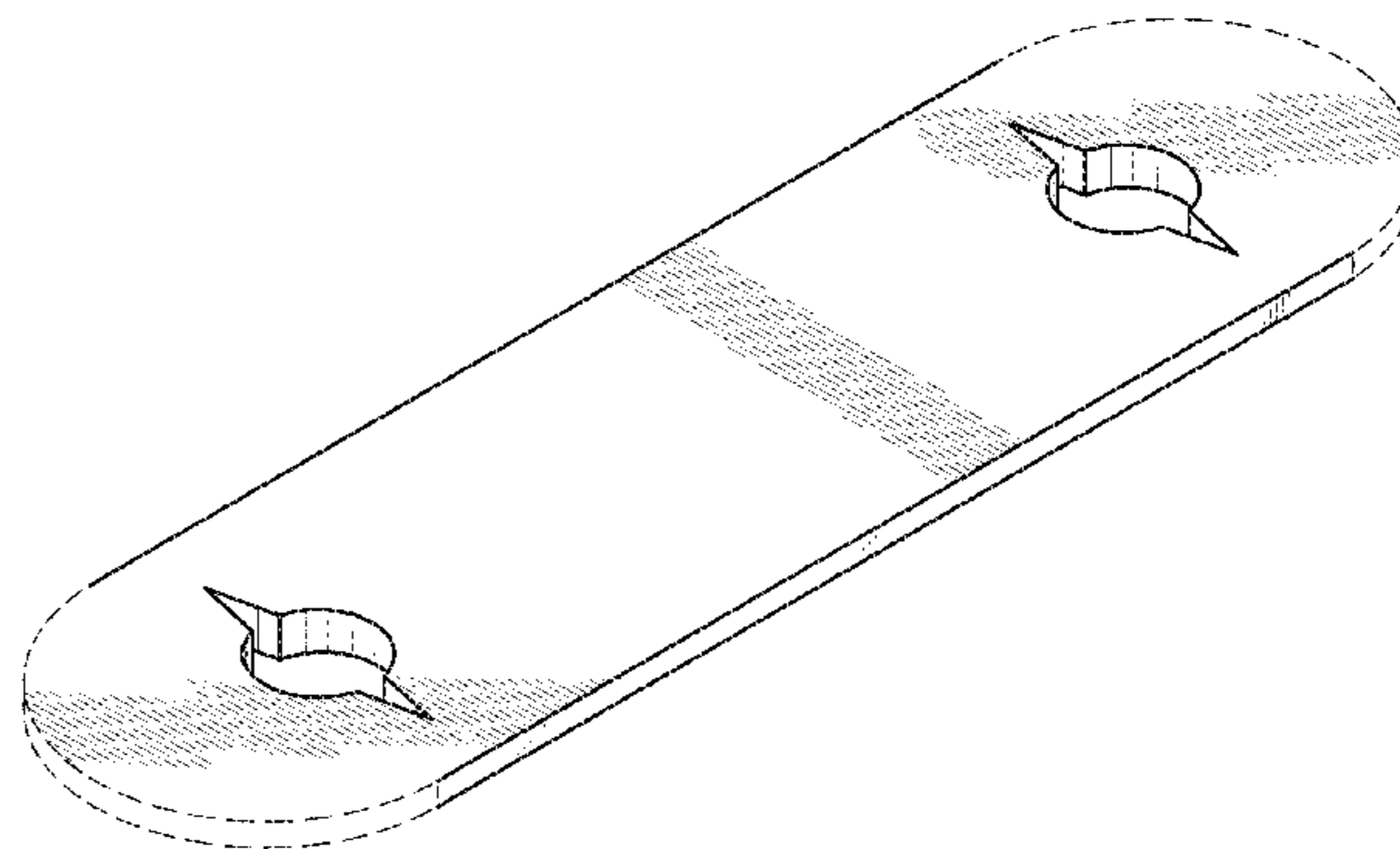
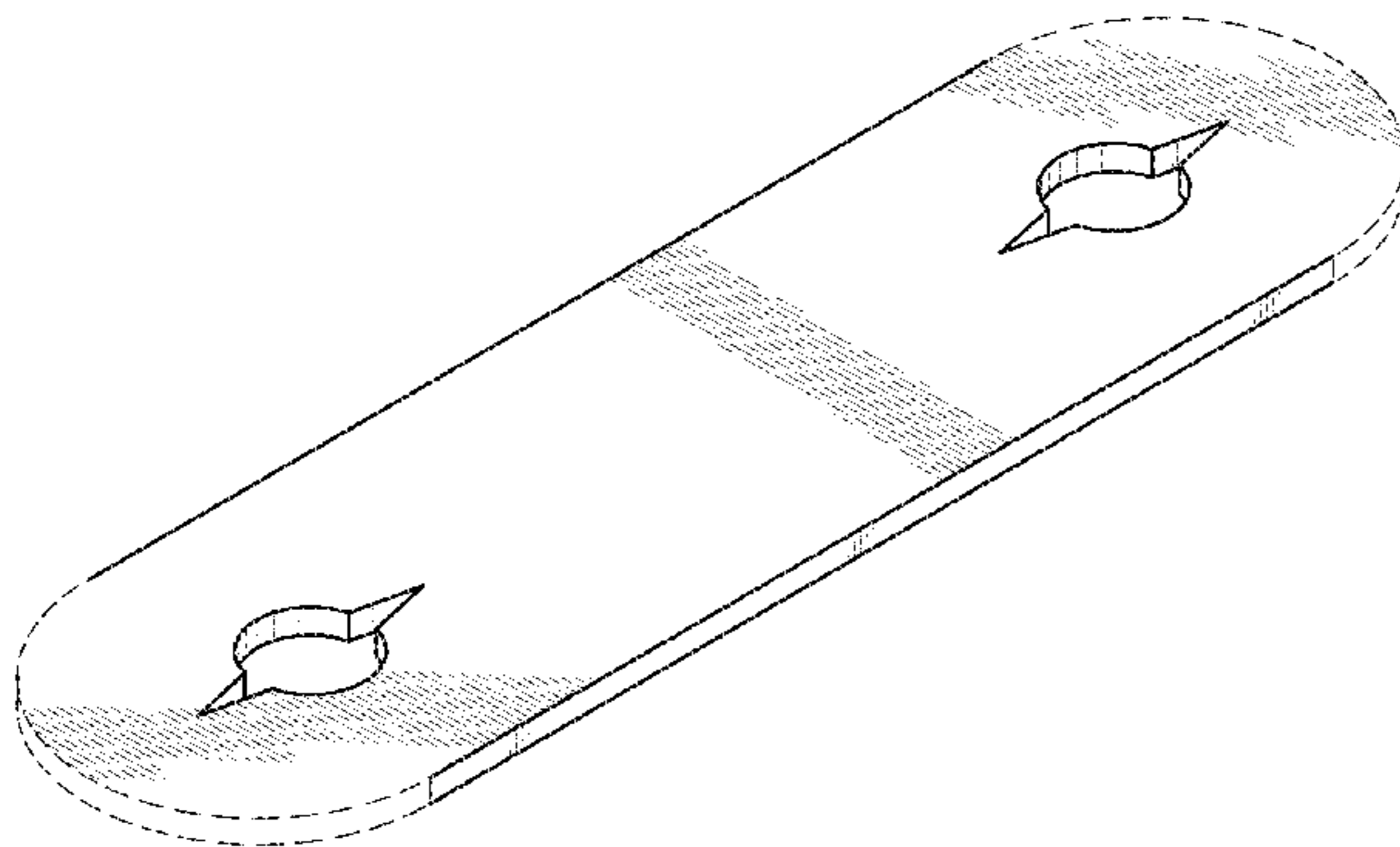
FIG. 19 is a front view thereof;

FIG. 20 is a rear view thereof; and,

FIG. 21 is a top, right perspective view thereof.

The broken lines immediately adjacent to the shaded areas represent the boundaries of the claimed design. None of the broken lines form part of the claimed design.

**1 Claim, 6 Drawing Sheets**



(56)

## References Cited

## U.S. PATENT DOCUMENTS

3,634,911 A \* 1/1972 Mobell ..... A44B 5/002  
24/90.5  
D236,441 S \* 8/1975 Lloyd ..... D8/394  
D257,426 S \* 10/1980 D'Alo ..... D3/327  
D265,175 S \* 6/1982 Lloyd ..... D8/394  
4,477,950 A \* 10/1984 Cisek ..... B65D 63/1027  
24/16 PB  
D277,554 S \* 2/1985 Chabot ..... D9/434  
4,942,644 A \* 7/1990 Rowley ..... B65D 63/10  
24/16 PB  
D313,547 S \* 1/1991 Buckles ..... D8/373  
D355,067 S \* 2/1995 Pytlewski ..... D3/327  
D363,877 S \* 11/1995 Dee ..... D8/373  
D375,041 S \* 10/1996 Chavez ..... D8/394  
5,878,520 A \* 3/1999 Milbrandt ..... G09F 3/14  
24/16 PB  
D432,946 S \* 10/2000 Gorelick ..... D11/200  
D436,136 S \* 1/2001 Young ..... D20/22  
D451,372 S \* 12/2001 Cedarberg, III ..... D8/394  
D510,856 S \* 10/2005 Cheung ..... D8/394  
D513,974 S \* 1/2006 Cheung ..... D8/394  
D515,408 S \* 2/2006 Cheung ..... D8/396  
D546,730 S \* 7/2007 Nichanian ..... D11/226  
D579,764 S \* 11/2008 Kuhlmann ..... D8/394  
D587,569 S \* 3/2009 Eveleth ..... D9/434  
D596,759 S \* 7/2009 Burke ..... D24/230  
9,282,789 B1 \* 3/2016 Lavoie ..... A44B 5/002  
D771,914 S \* 11/2016 Cho ..... D2/891

\* cited by examiner

FIG. 6

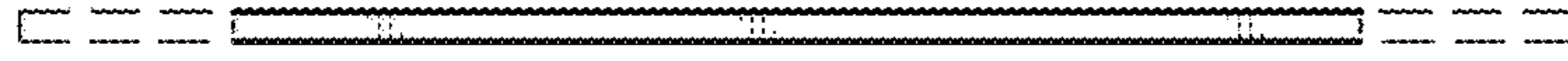
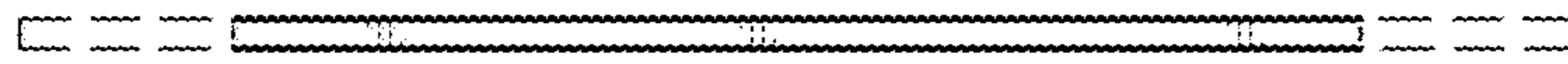
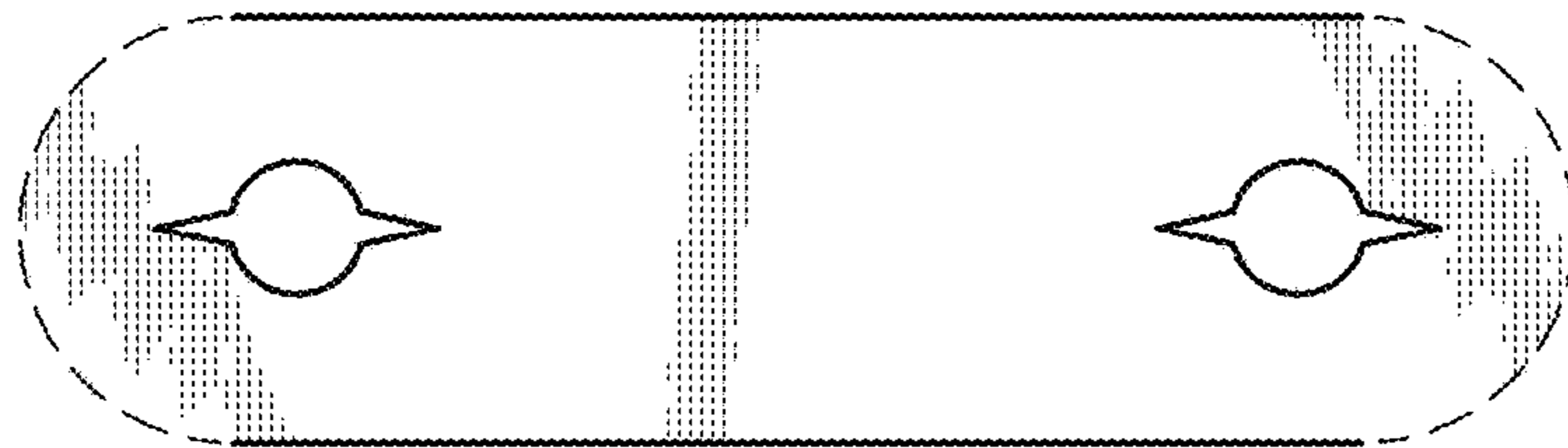
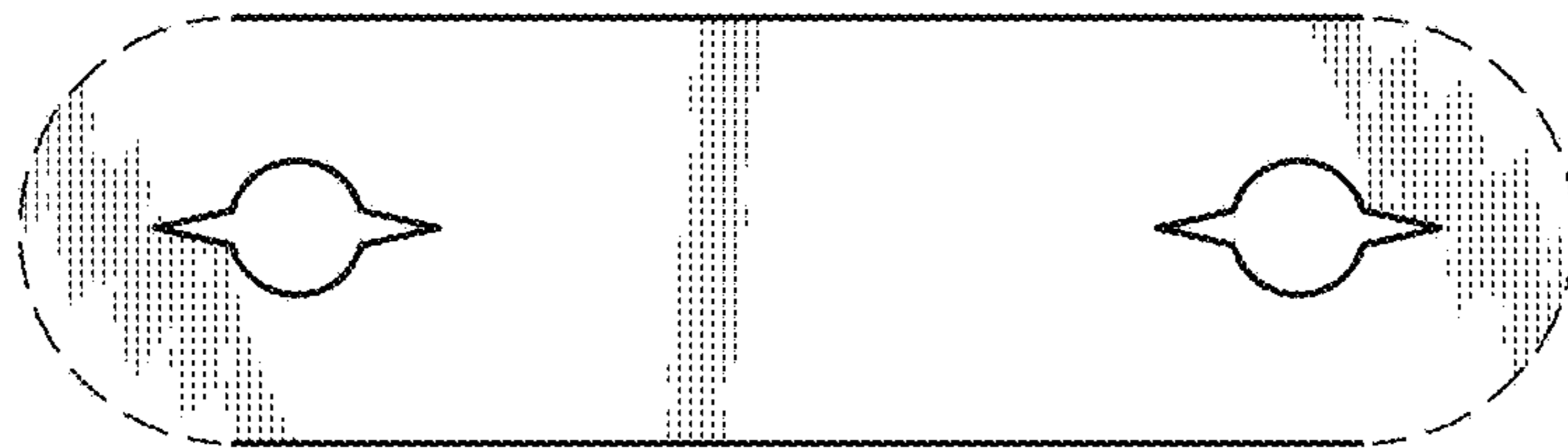


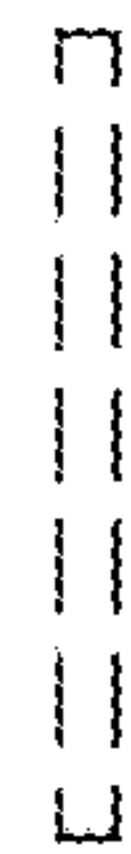
FIG. 1

FIG. 2

FIG. 3

FIG. 4

FIG. 5



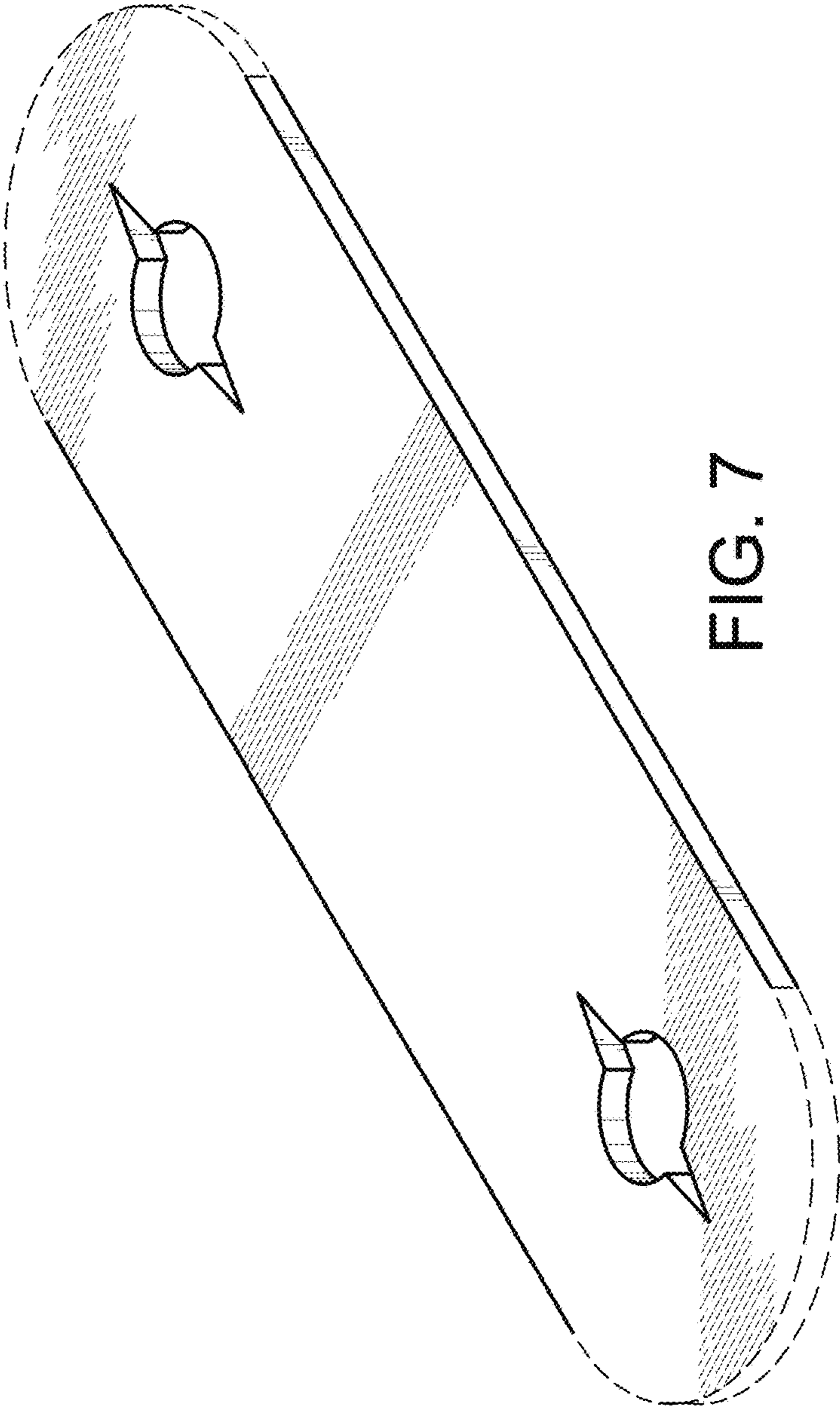


FIG. 13

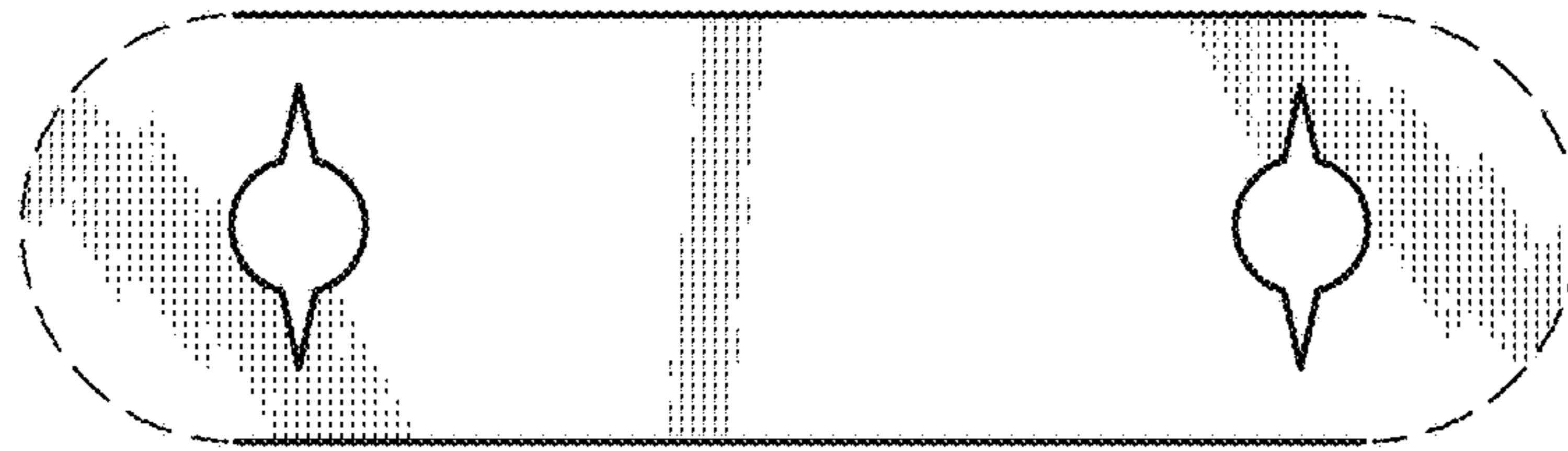


FIG. 8

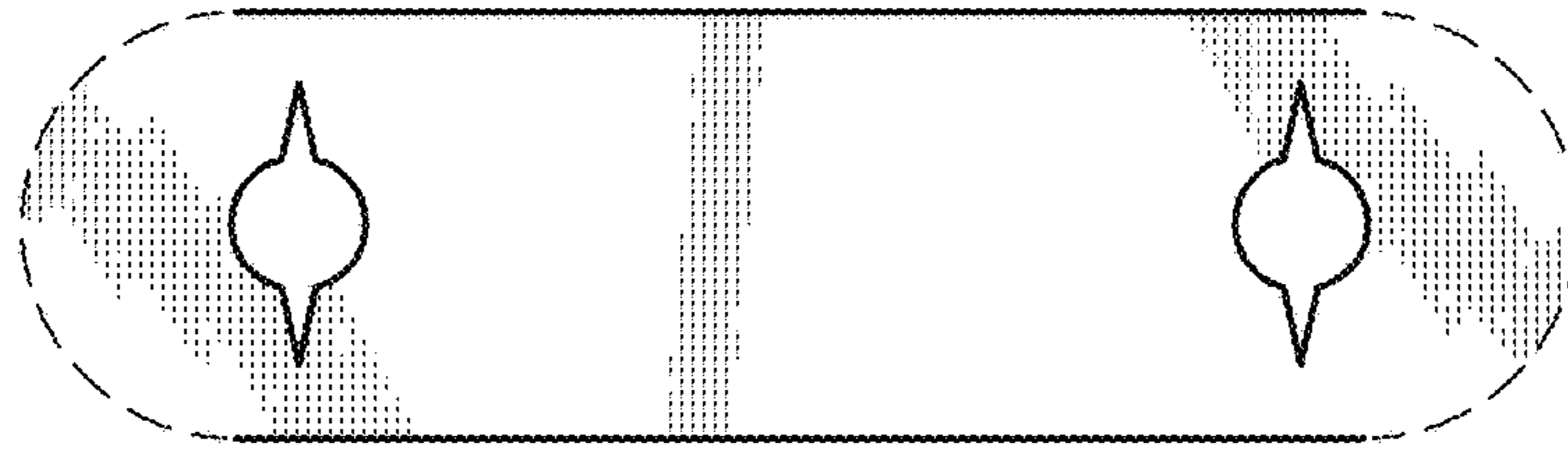


FIG. 9

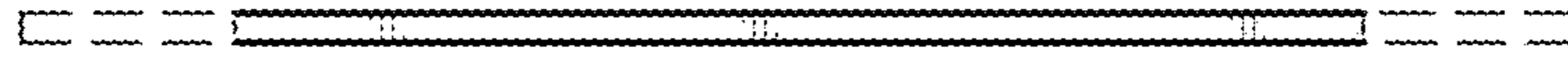


FIG. 10

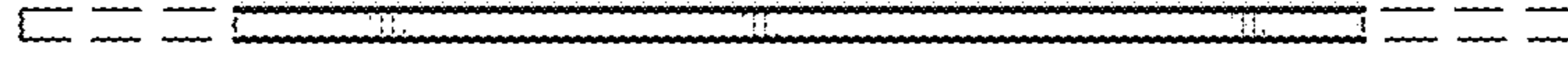


FIG. 11



FIG. 12

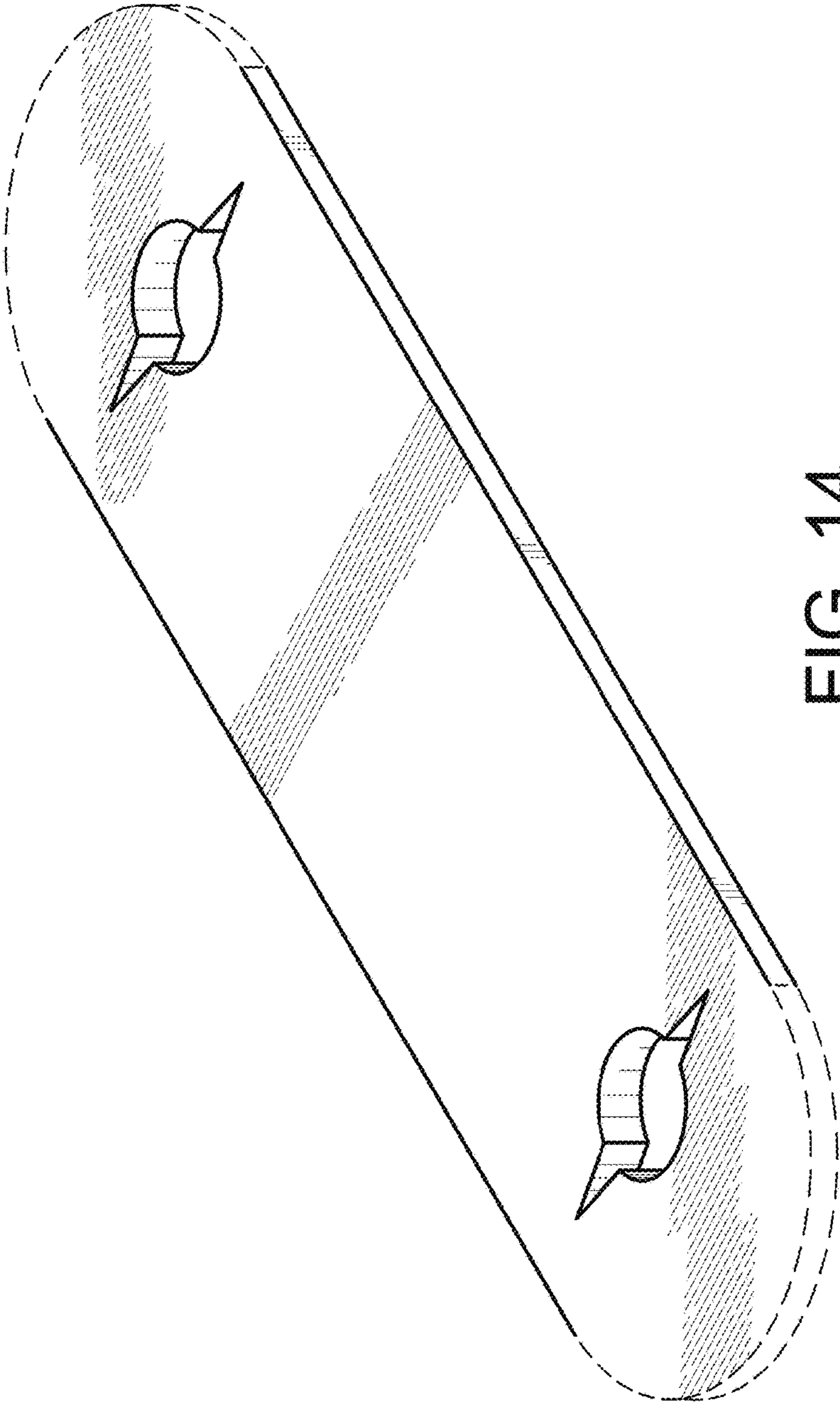


FIG. 14

FIG. 20

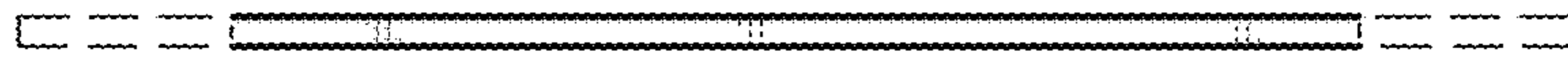
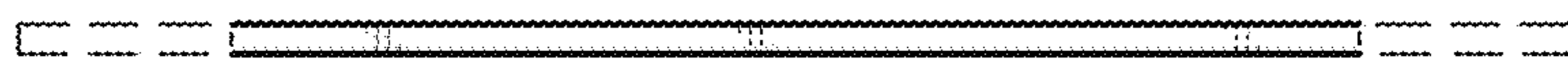
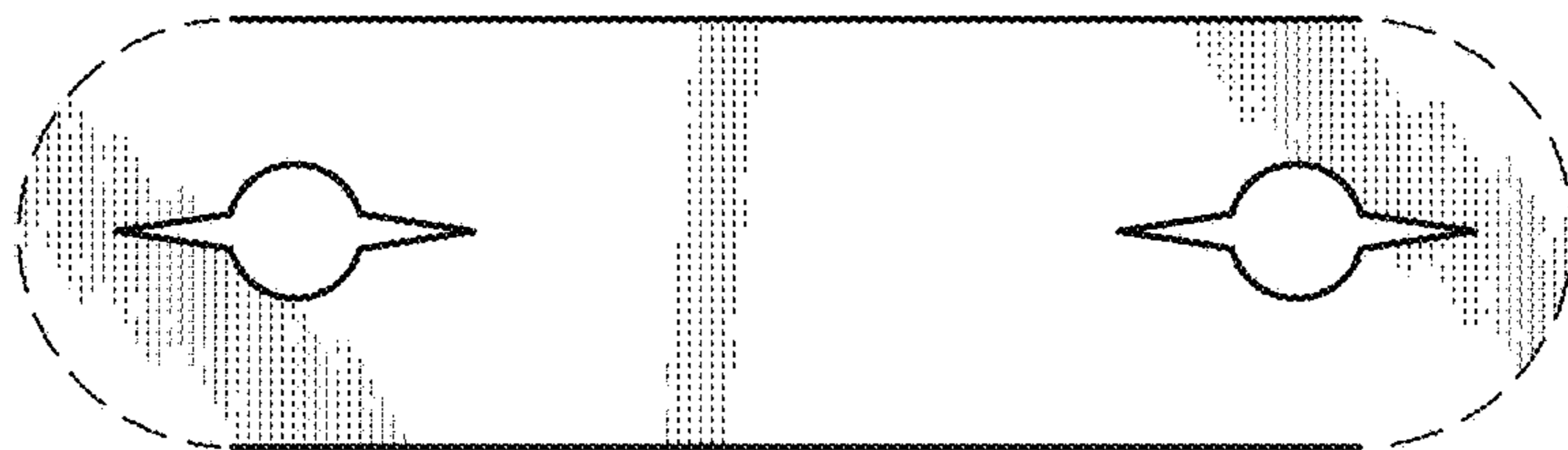
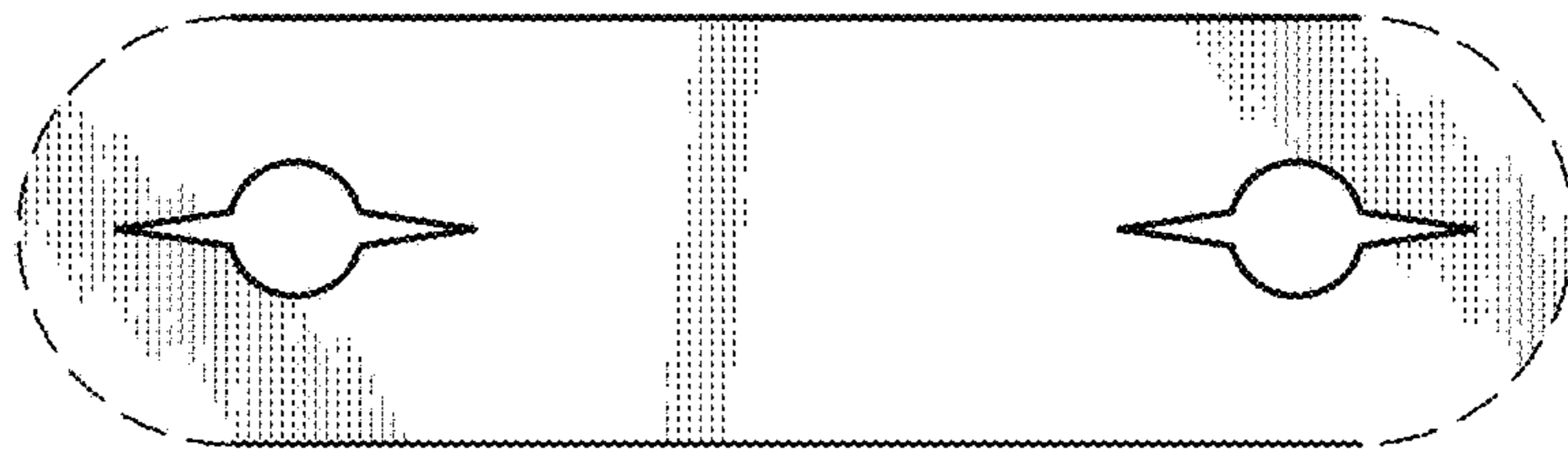


FIG. 15

FIG. 16

FIG. 17

FIG. 18

FIG. 19

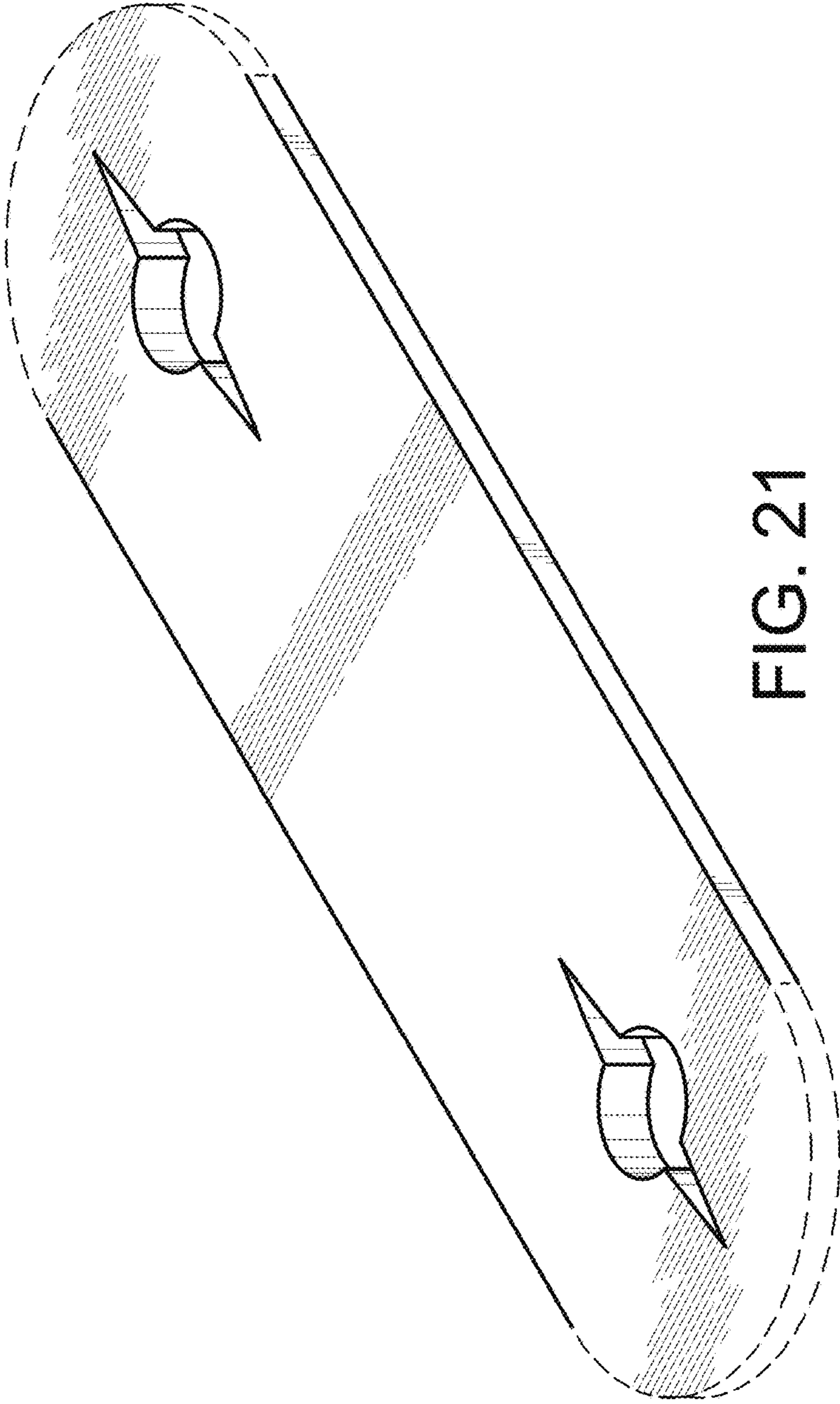


FIG. 21