



US00D827488S

(12) **United States Design Patent** (10) **Patent No.:** **US D827,488 S**
Borocz (45) **Date of Patent:** **** Sep. 4, 2018**

(54) **GLASS VASE**
(71) Applicant: **Stacy Borocz**, Roswell, GA (US)
(72) Inventor: **Stacy Borocz**, Roswell, GA (US)
(**) Term: **15 Years**
(21) Appl. No.: **29/604,405**
(22) Filed: **May 17, 2017**
(51) **LOC (11) Cl.** **11-02**
(52) **U.S. Cl.**
USPC **D11/152**
(58) **Field of Classification Search**
USPC D6/403–405, 556–558, 675;
D11/143–156, 164; D9/428, 500, 519,
D9/549; D3/306; D7/522, 524, 537
CPC A01G 9/02; A01G 9/021; A01G 9/028;
A01G 9/029; A01G 9/04; A01G 9/042;
A01G 9/045; A47G 7/00; A47G 7/006;
A47G 7/02; A47G 7/025; A47G 7/04;
A47G 7/044; A47G 7/06
See application file for complete search history.

3,903,642 A * 9/1975 Yellin A01K 63/003
248/159
4,250,833 A * 2/1981 Waldon A01K 67/033
119/421
D280,445 S * 9/1985 Boss D26/110
D280,937 S * 10/1985 Sher D26/110
D302,323 S * 7/1989 Daniels D11/145
D369,520 S * 5/1996 Harrison D7/524
D402,392 S * 12/1998 Huang D26/112
D445,064 S * 7/2001 Han D11/152
D457,745 S * 5/2002 Han D6/405
D574,627 S * 8/2008 Broel D6/405
D611,766 S * 3/2010 Reeser D7/524
D670,424 S * 11/2012 Lee D26/93
D695,068 S * 12/2013 Strobel D7/510
D772,473 S * 11/2016 Feit D26/110

* cited by examiner

Primary Examiner — Elizabeth A. Albert
(74) *Attorney, Agent, or Firm* — Miller & Martin PLLC

(57) **CLAIM**

The ornamental design for a glass vase, as shown and described.

DESCRIPTION

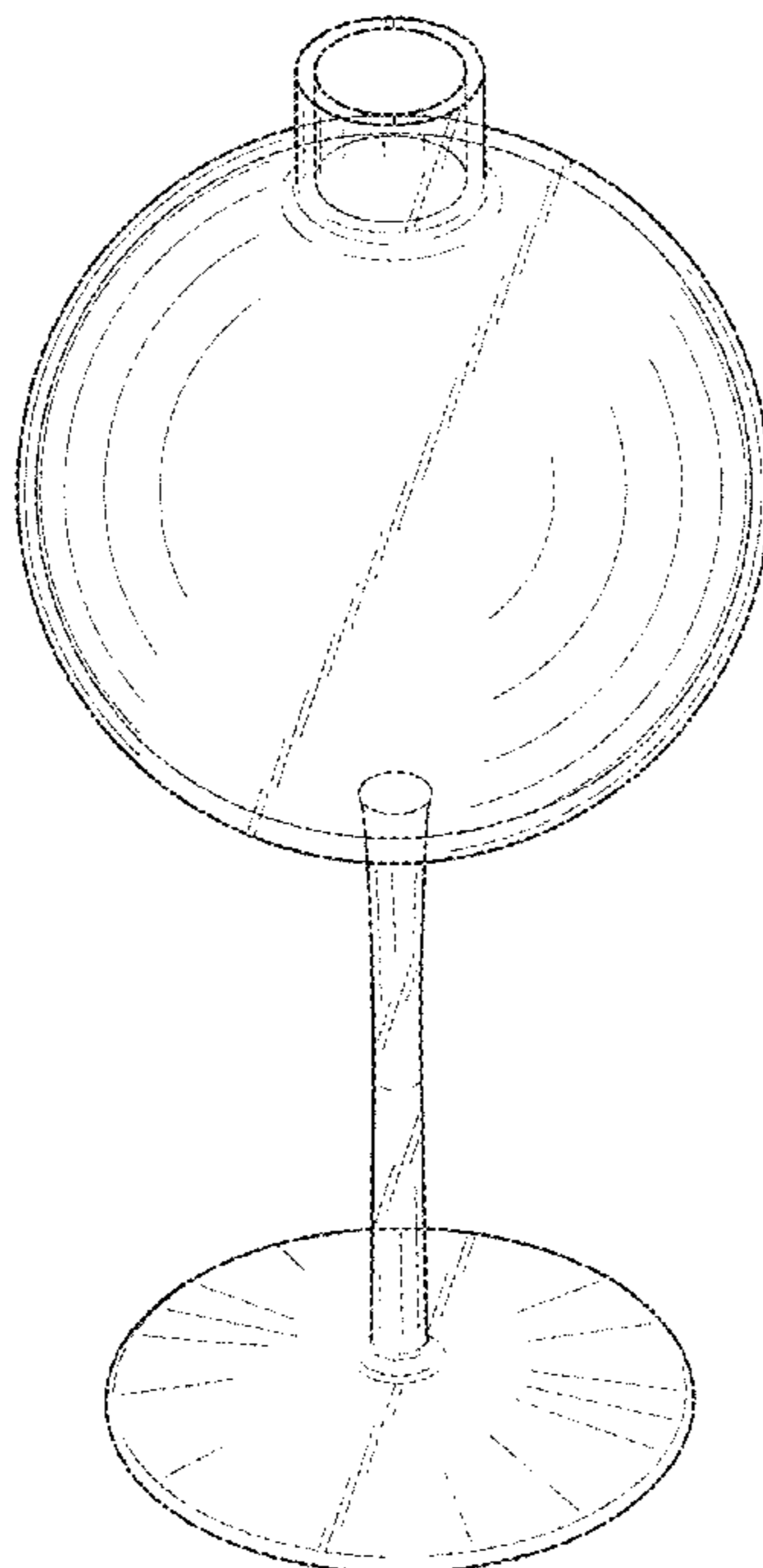
FIG. 1 is an isometric view of the glass vase design;
FIG. 2 is a front view thereof;
FIG. 3 is a rear view thereof;
FIG. 4 is a top view thereof;
FIG. 5 is a bottom view thereof;
FIG. 6 is a right-side view thereof; and,
FIG. 7 is a left-side view thereof.

1 Claim, 6 Drawing Sheets

(56) **References Cited**

U.S. PATENT DOCUMENTS

D44,204 S * 6/1913 Hunter D7/524
D81,094 S * 5/1930 Ham D11/147
D158,821 S * 5/1950 Walter D26/104
D199,141 S * 9/1964 Curry D26/104
3,748,783 A * 7/1973 Sokolies A01G 9/02
206/423
3,790,332 A * 2/1974 Woollard F21S 13/12
431/126



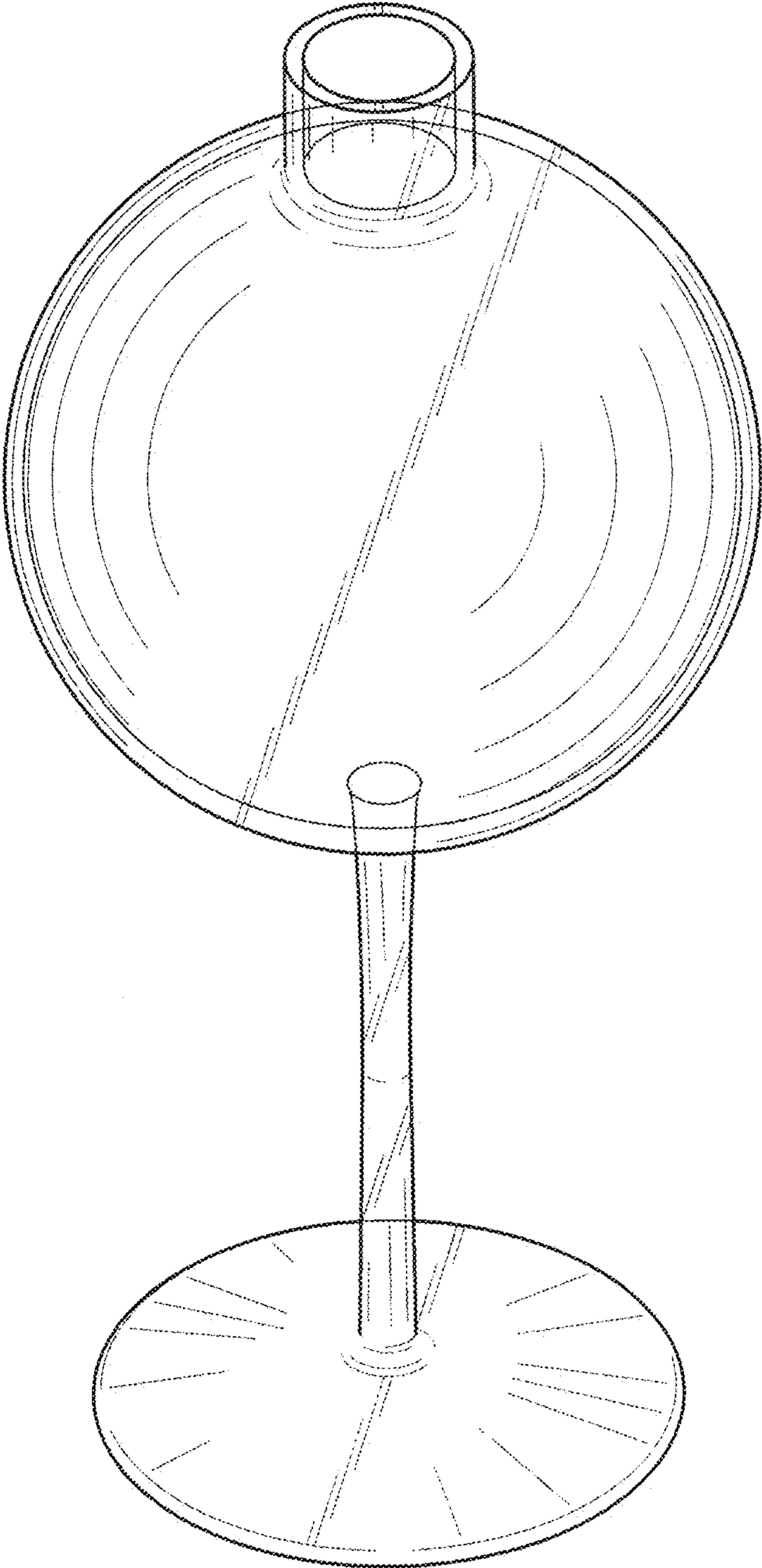


FIG. 1

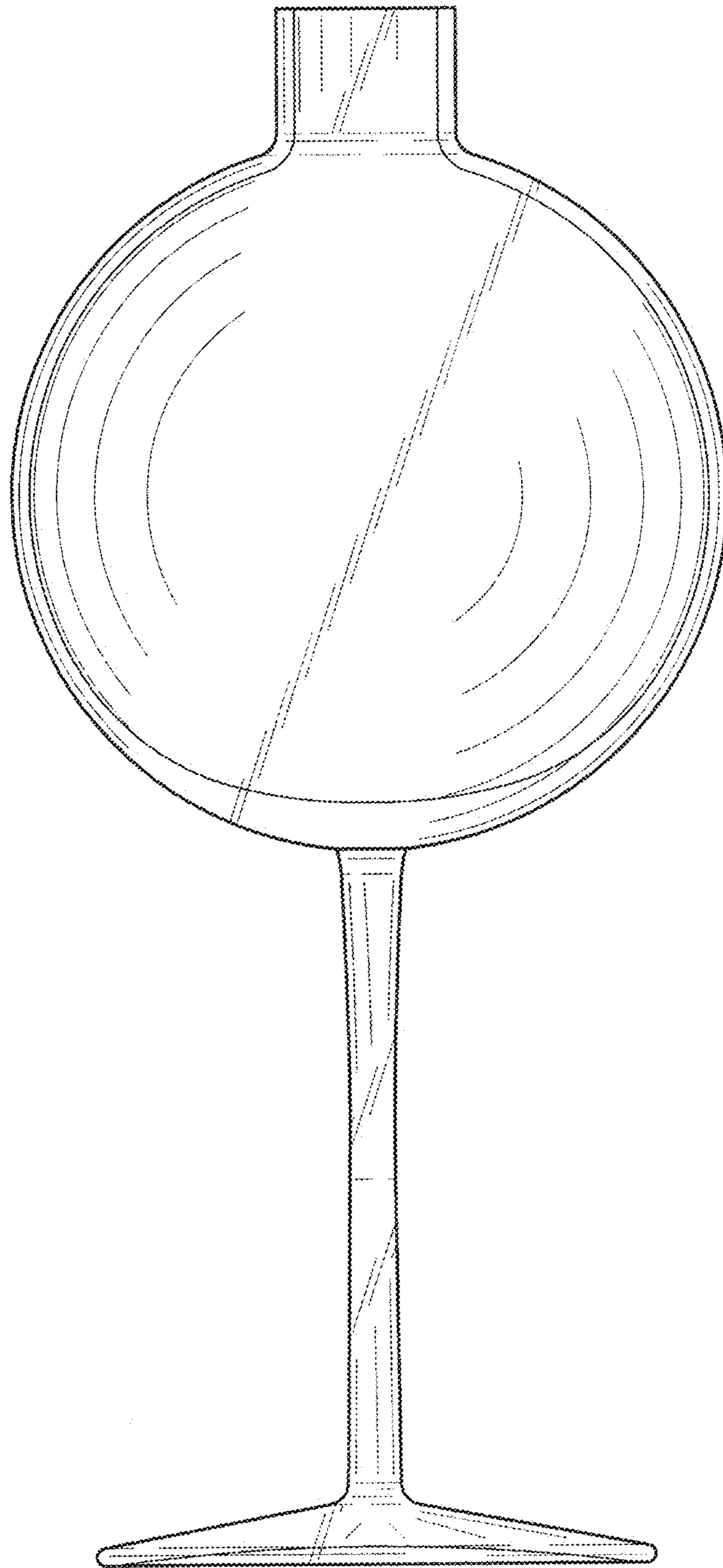


FIG. 2

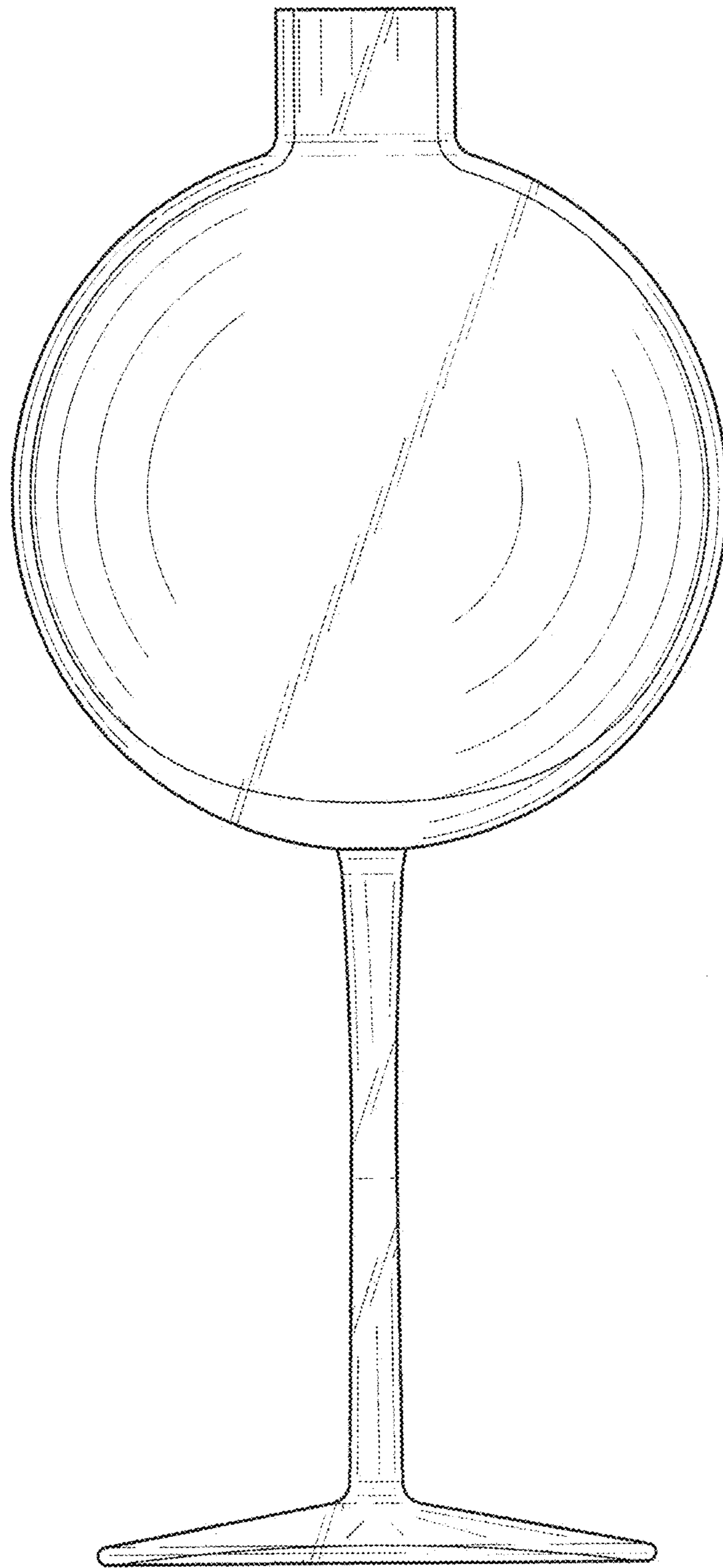


FIG. 3

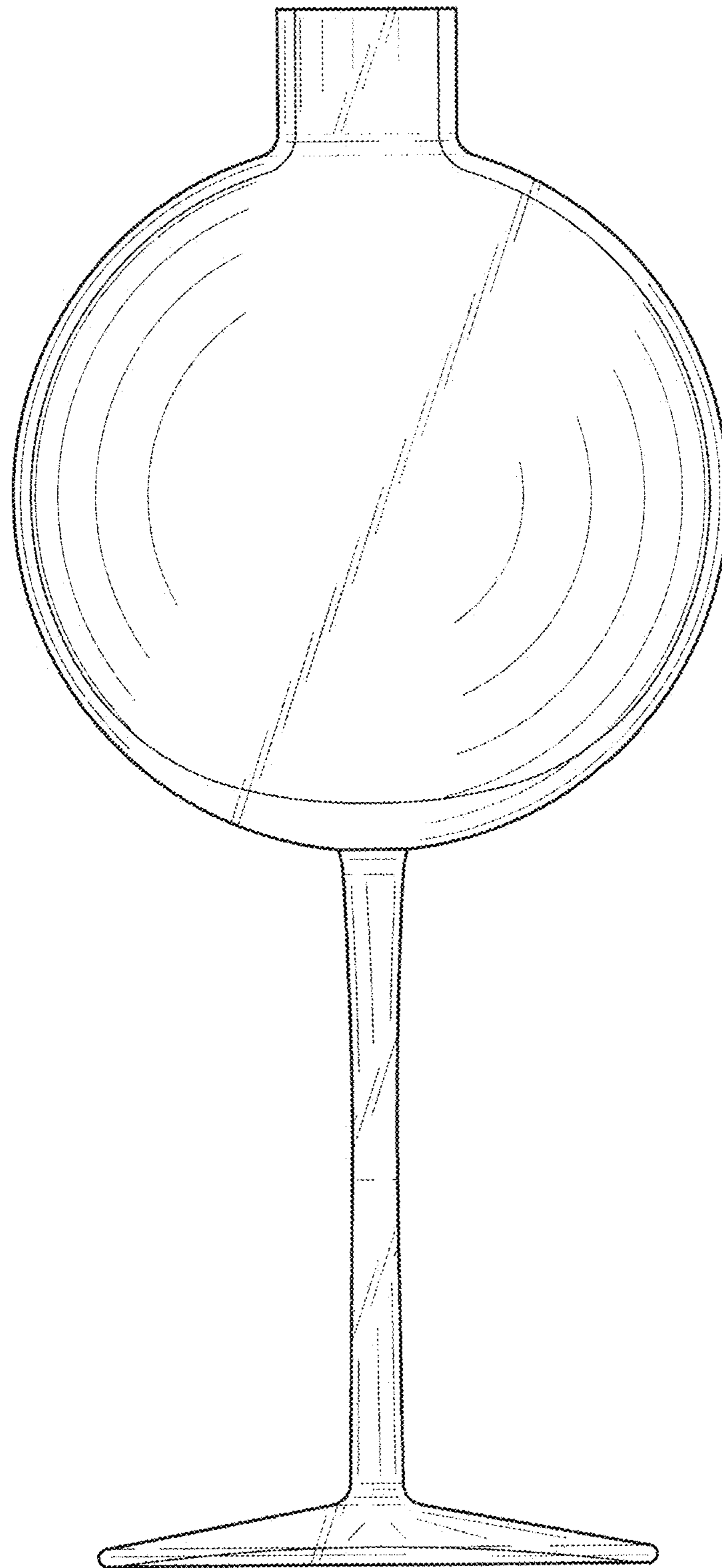


FIG. 4

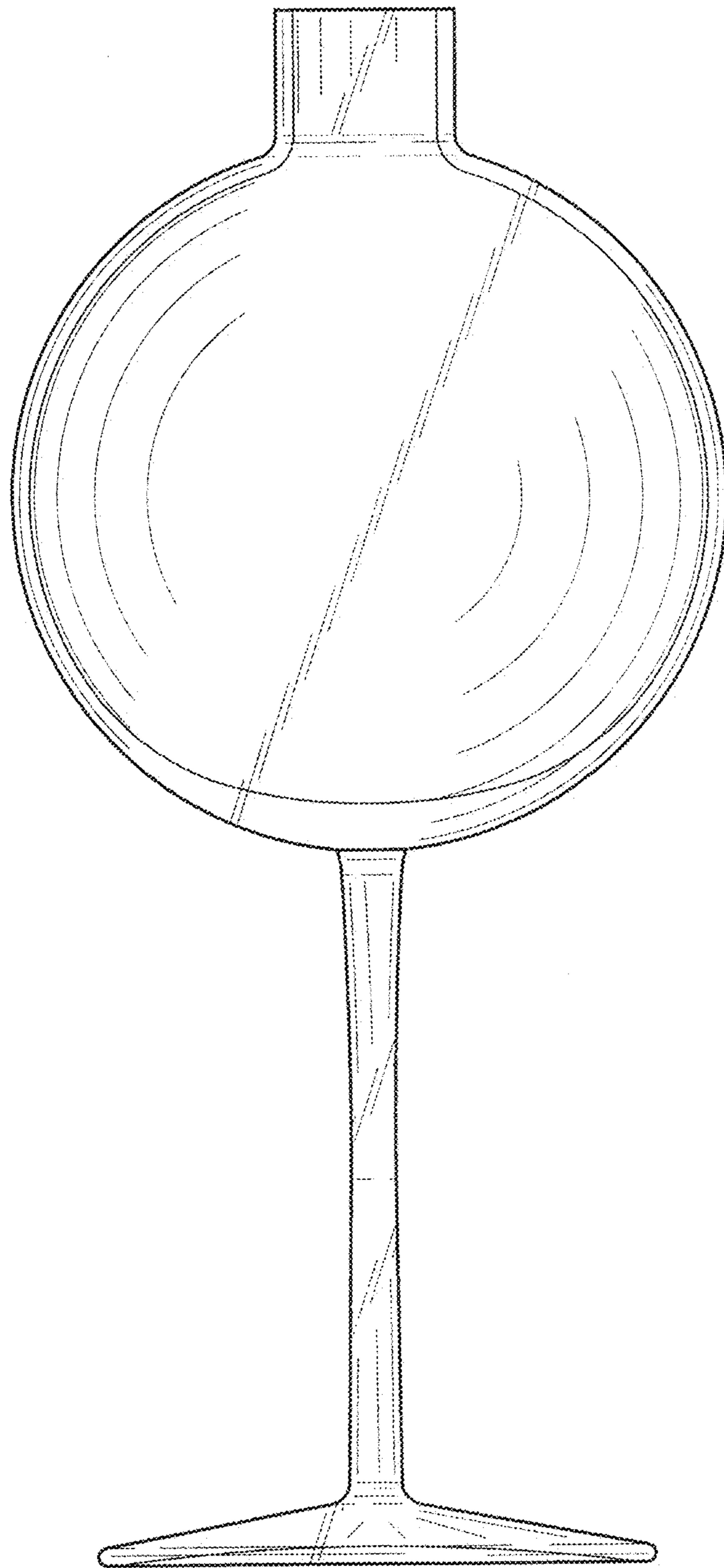


FIG. 5

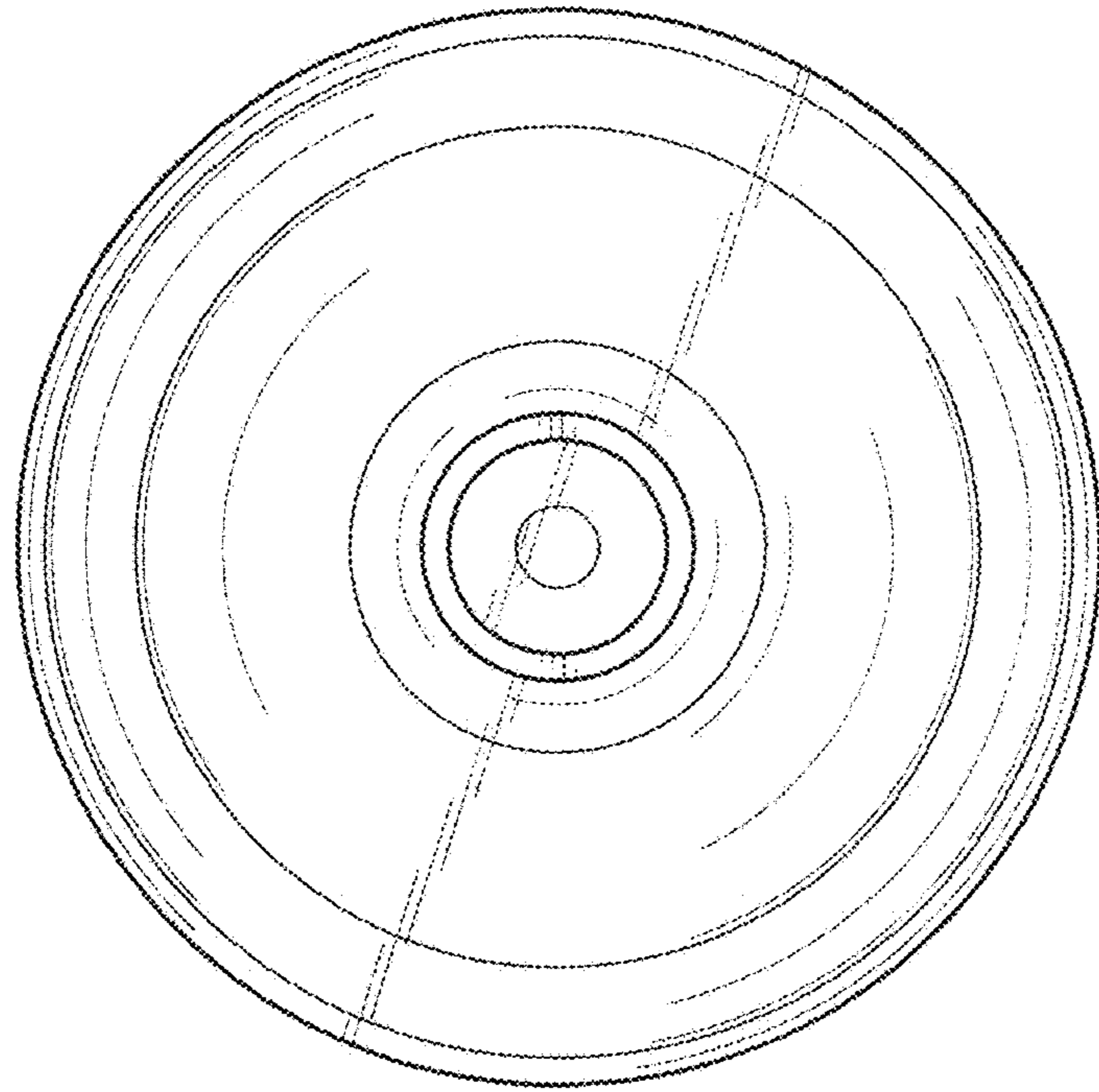


FIG. 6

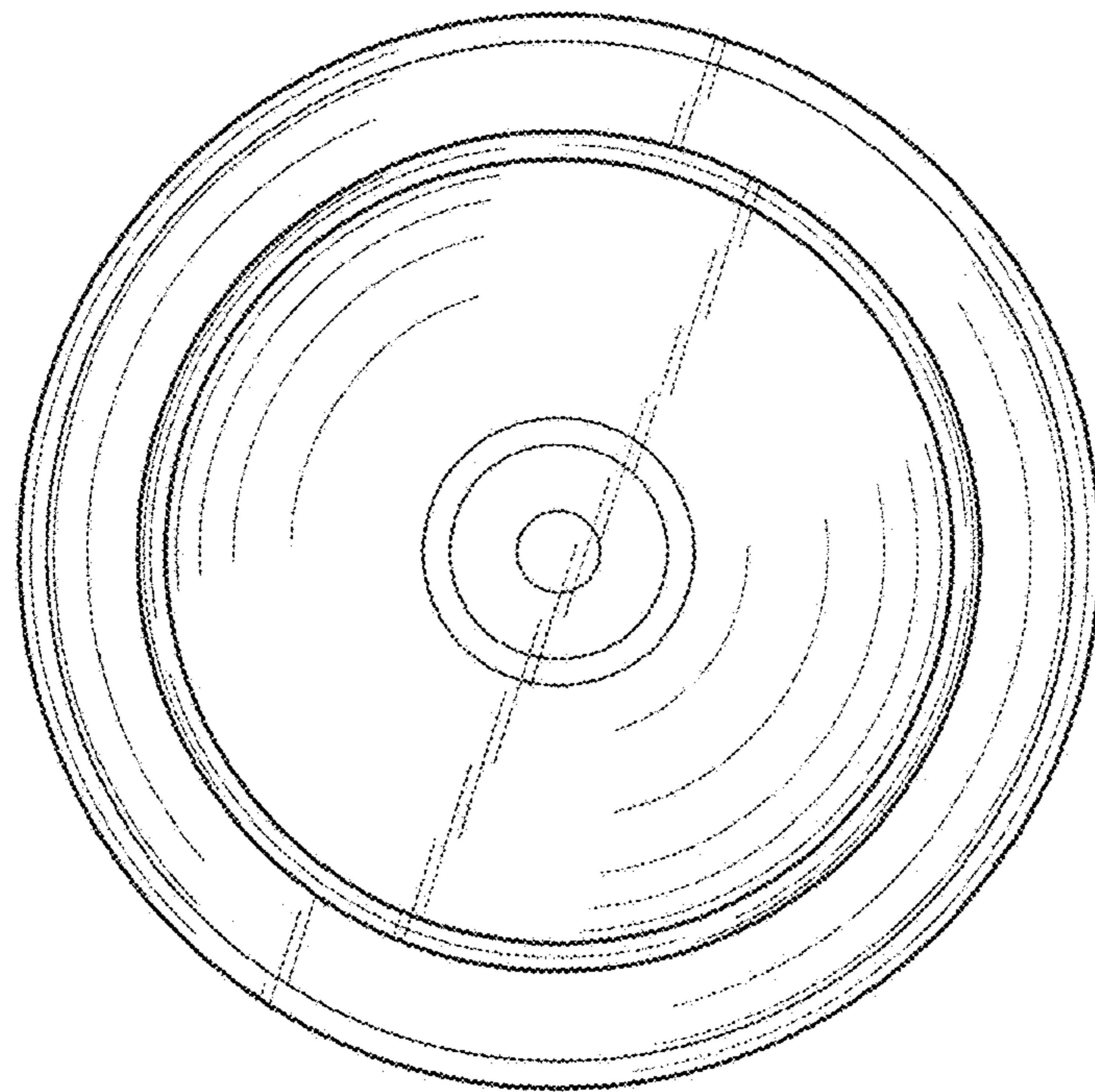


FIG. 7