



US00D827486S

(12) **United States Design Patent**
Quinlan

(10) **Patent No.:** **US D827,486 S**

(45) **Date of Patent:** **** Sep. 4, 2018**

(54) **TAG SLOT**

Primary Examiner — Sheryl Lane

(71) Applicant: **THE HC COMPANIES, INC.**,
Twinsburg, OH (US)

(74) *Attorney, Agent, or Firm* — Tucker Ellis LLP

(72) Inventor: **Robert Quinlan**, Stow, OH (US)

(57) **CLAIM**

(73) Assignee: **THE HC COMPANIES, INC.**,
Twinsburg, OH (US)

The ornamental design for a tag slot, as shown and described.

(**) Term: **15 Years**

(21) Appl. No.: **29/570,601**

DESCRIPTION

(22) Filed: **Jul. 10, 2016**

(51) **LOC (11) Cl.** **11-02**

(52) **U.S. Cl.**
USPC **D11/143**

(58) **Field of Classification Search**
USPC D11/143, 152, 153, 154
CPC A01G 9/021; A01G 9/02; B29C 51/04;
A47G 33/06; A47G 33/126
See application file for complete search history.

FIG. 1 is perspective view a horticultural container that includes a tag slot showing my new design;
FIG. 2 is a front view thereof;
FIG. 3 is a rear view thereof;
FIG. 4 is a left side view thereof;
FIG. 5 is a right side view thereof;
FIG. 6 is a top view thereof;
FIG. 7 is a bottom view thereof;
FIG. 8 is an enlarged portion of the perspective view of FIG. 1 showing the area of the horticultural container having the tag slot;
FIG. 9 is an enlarged portion of the front view of FIG. 2 showing the area of the horticultural container having the tag slot;
FIG. 10 is an enlarged portion of the left side view of FIG. 4 showing the area of the of the horticultural container having the tag slot, a right side view of the enlarged portion of the left side view being a mirror image thereof; and,
FIG. 11 is an enlarged portion of the top view of FIG. 6 showing the area of the horticultural container having the tag slot.
The broken lines shown herein are purpose of illustrating portions of the horticultural container and form no part of the claimed design.
The dash-dot broken lines represent an unclaimed boundary and form no part of the claimed design.

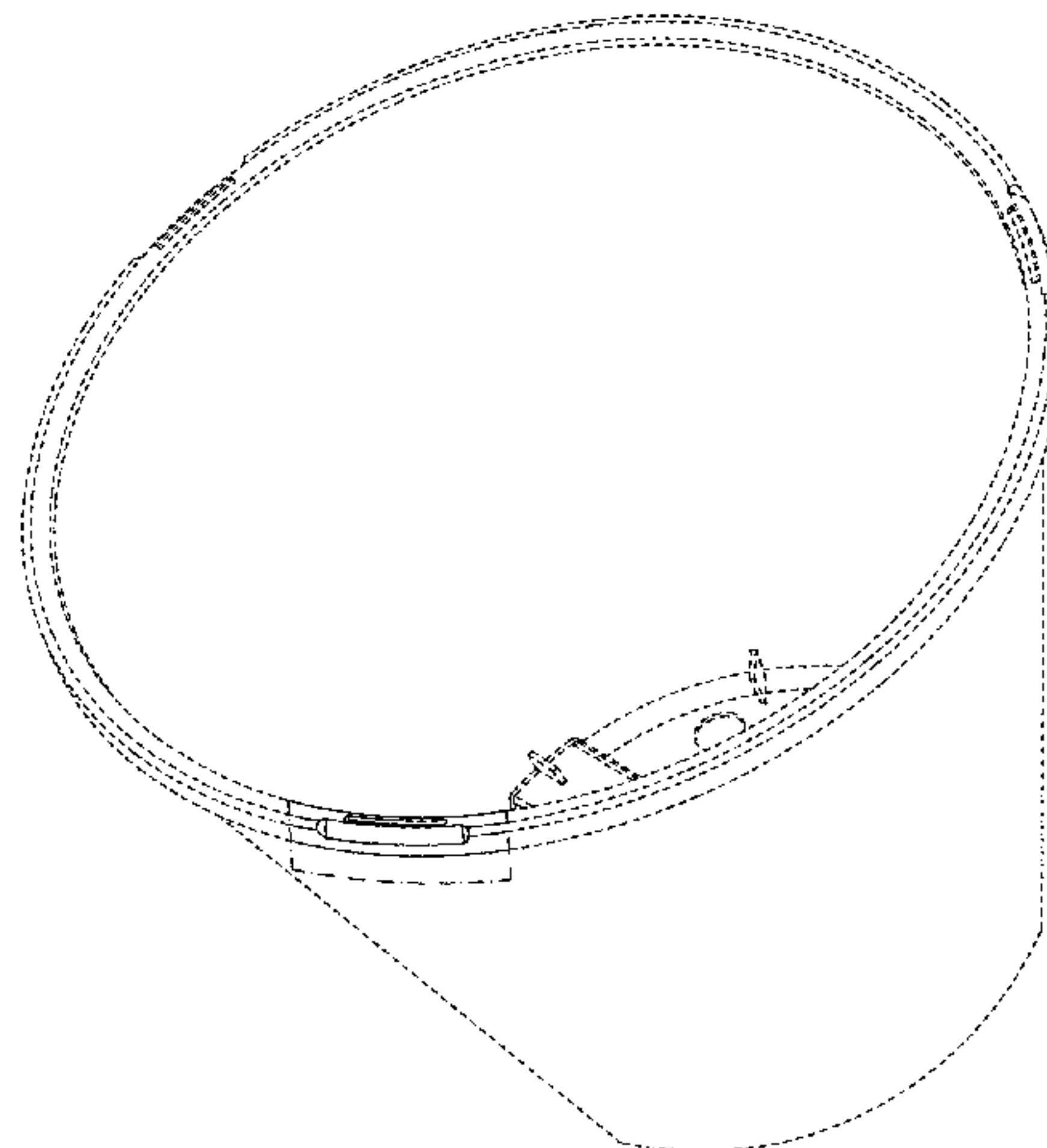
(56) **References Cited**

U.S. PATENT DOCUMENTS

6,134,832	A *	10/2000	Bokmiller	A01G 9/021 206/509
D800,014	S *	10/2017	Beesley	D11/152
2007/0227067	A1 *	10/2007	Sieverding	A01G 9/021 47/65.5
2007/0256358	A1 *	11/2007	Schromm	A01G 9/02 47/66.6
2008/0263942	A1 *	10/2008	Hansen	A01G 9/021 47/65.5
2008/0276528	A1 *	11/2008	Smith	A01G 9/02 47/66.7
2012/0061873	A1 *	3/2012	Bosch	A01G 9/021 264/163
2013/0098916	A1 *	4/2013	Charles	B65D 25/00 220/507
2017/0181385	A1 *	6/2017	Daniel	A01G 9/122

* cited by examiner

1 Claim, 9 Drawing Sheets



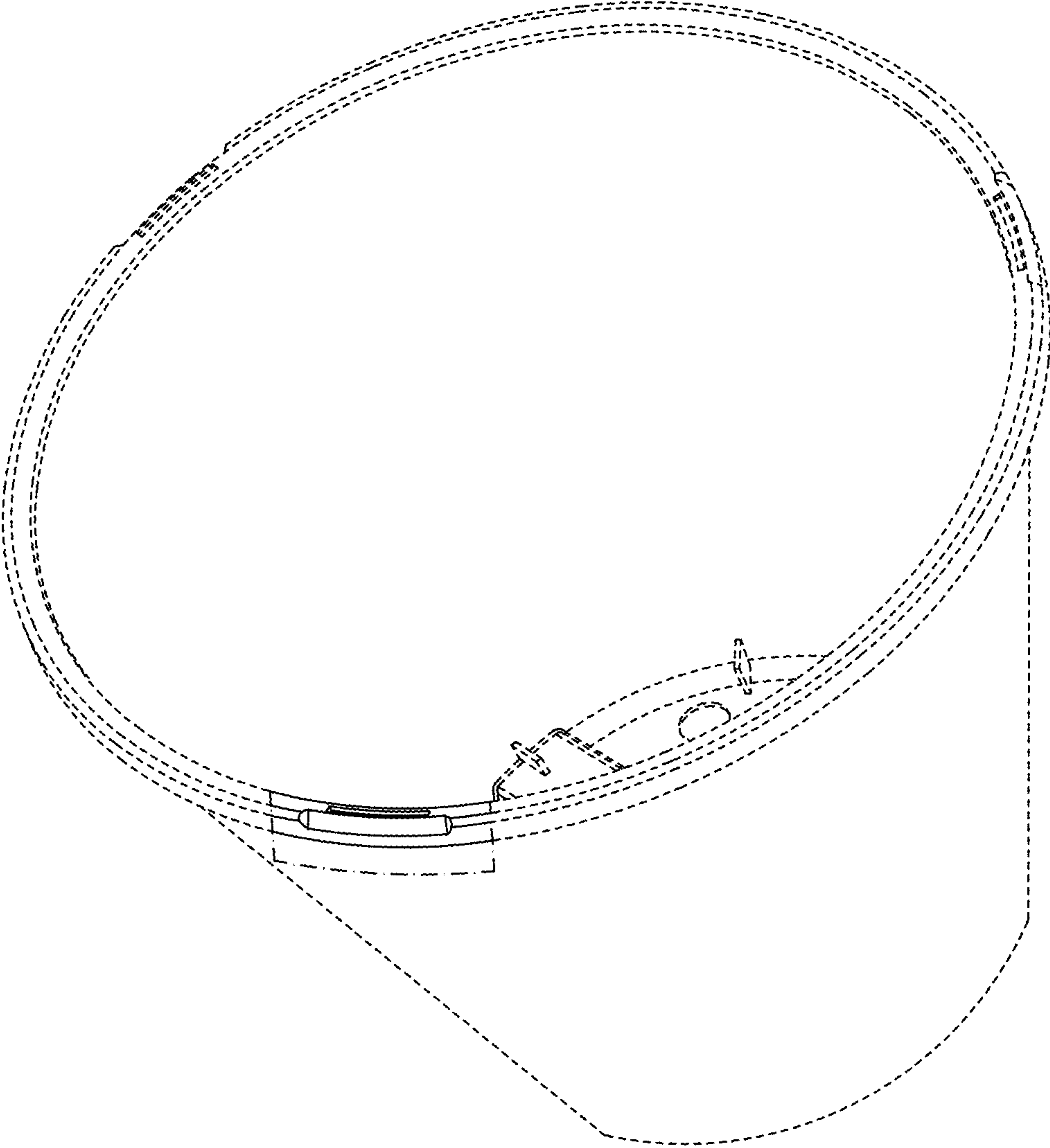


FIG. 1

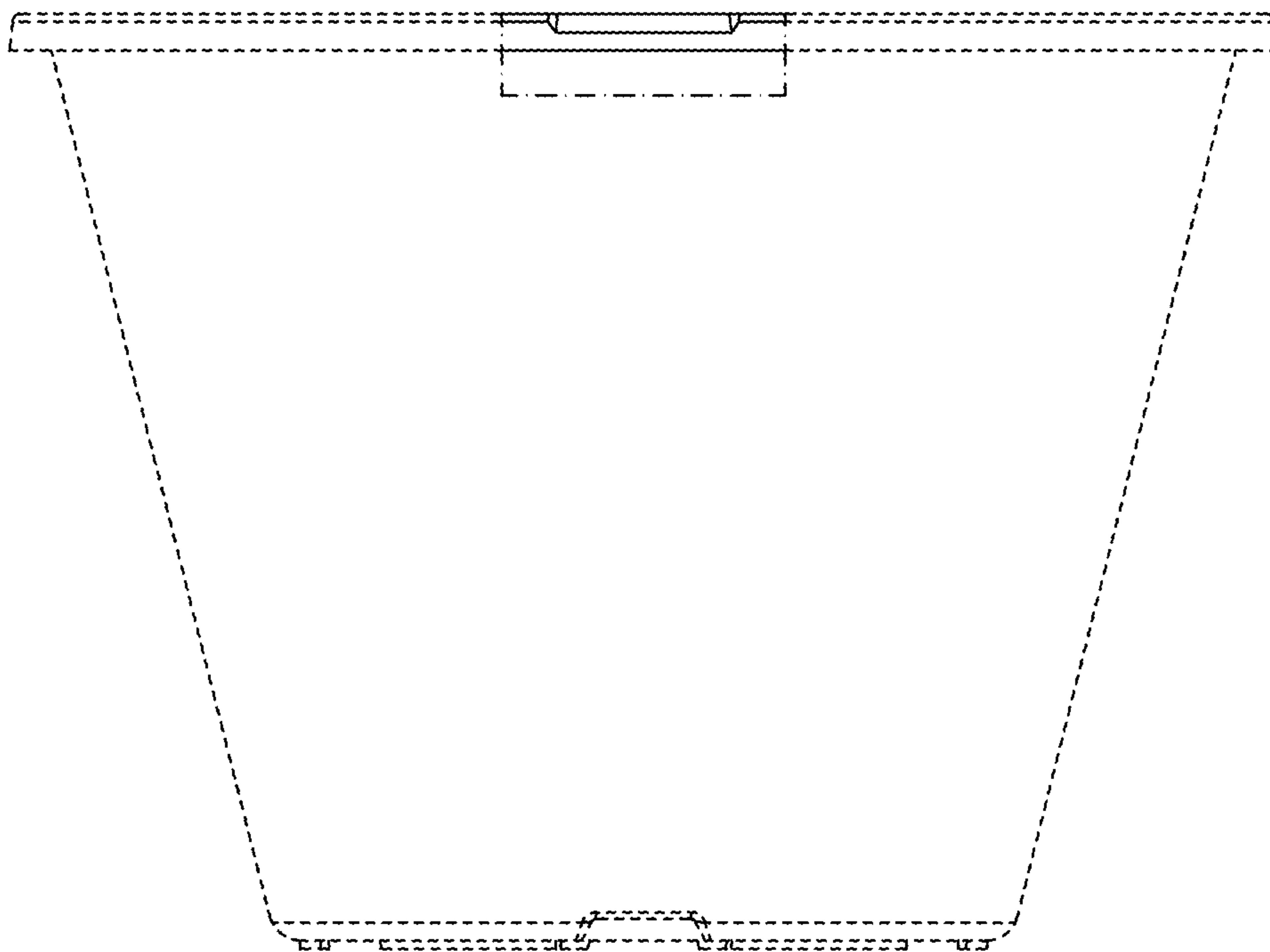


FIG. 2

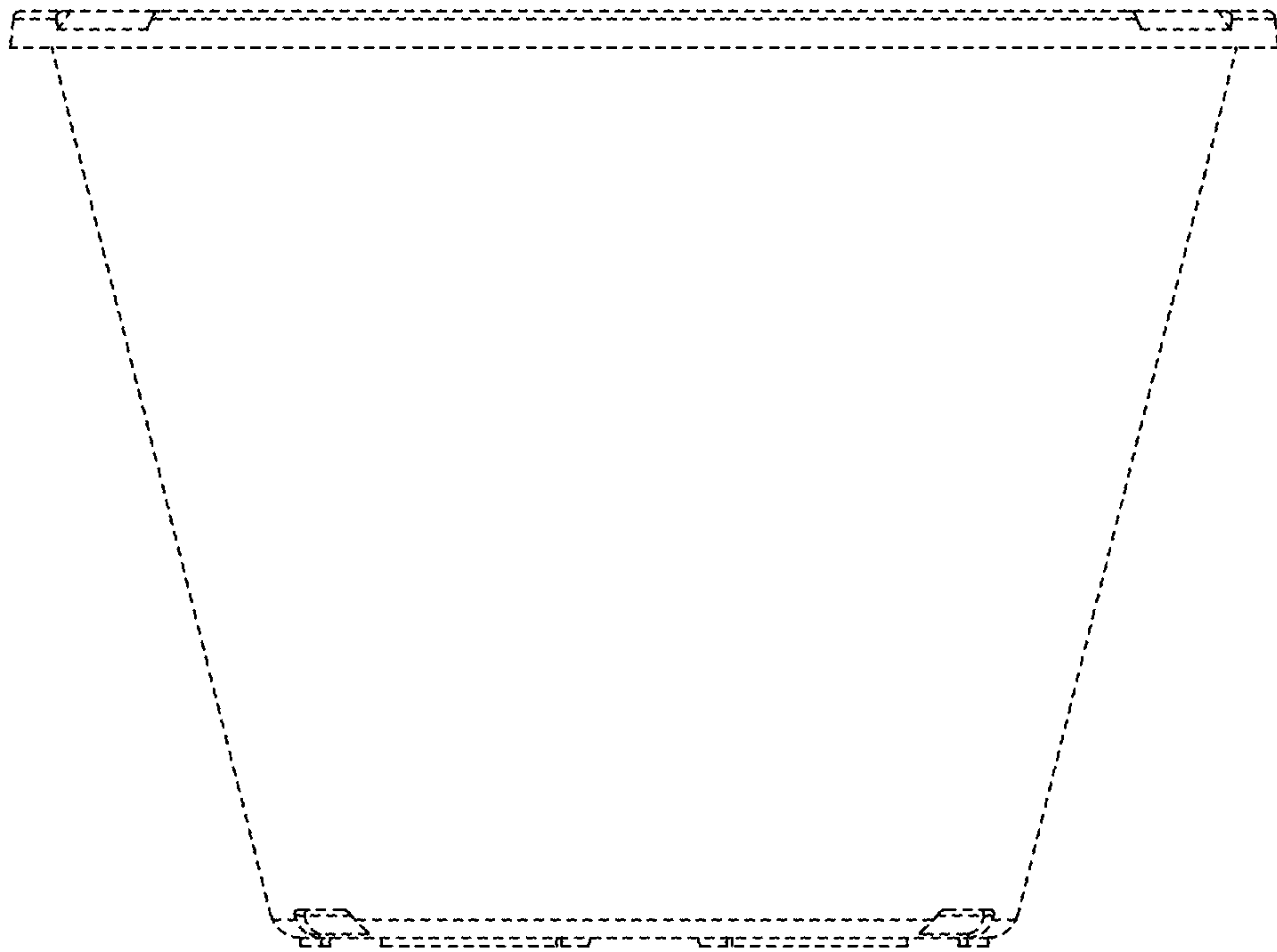


FIG. 3

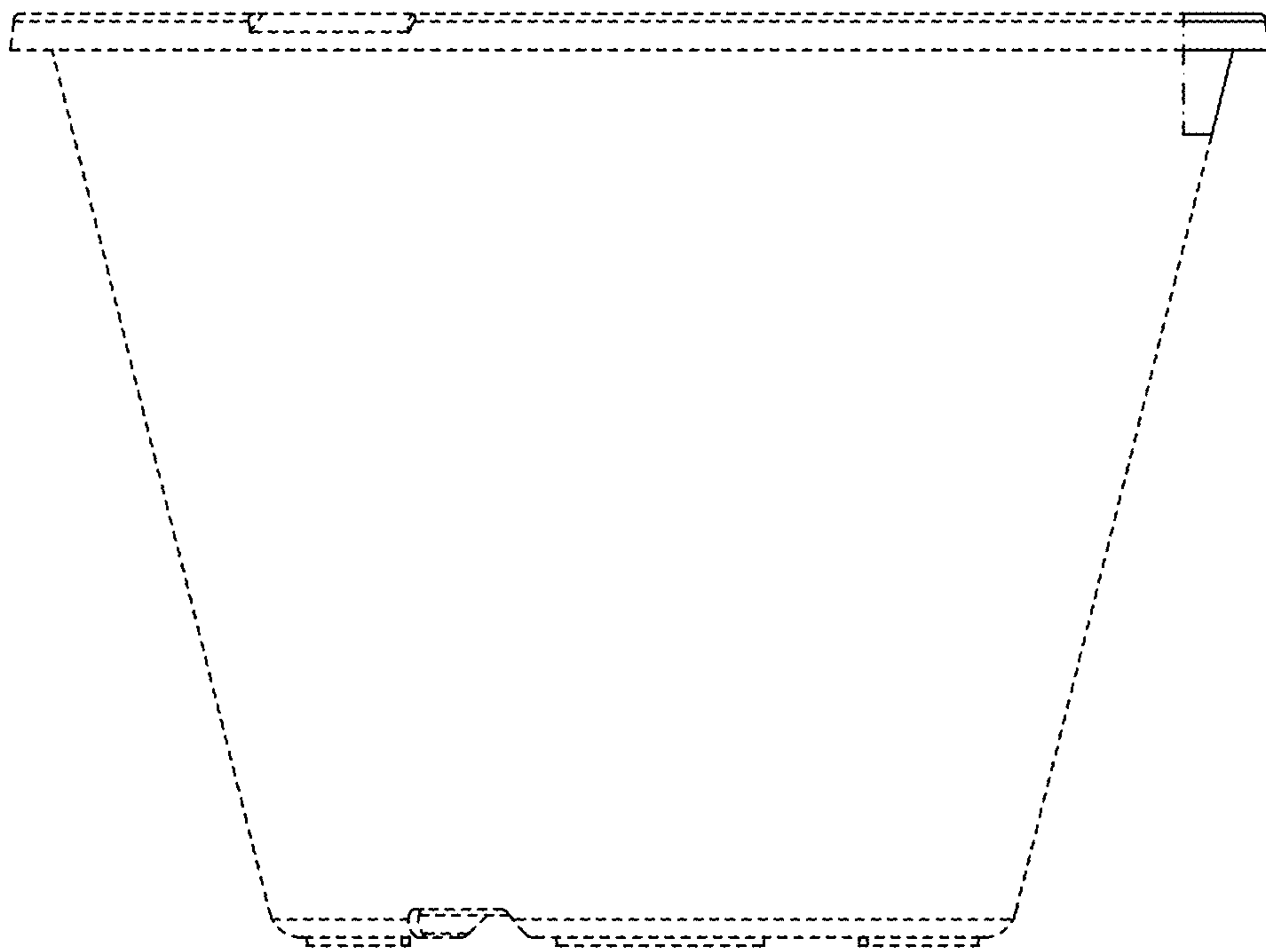


FIG. 4

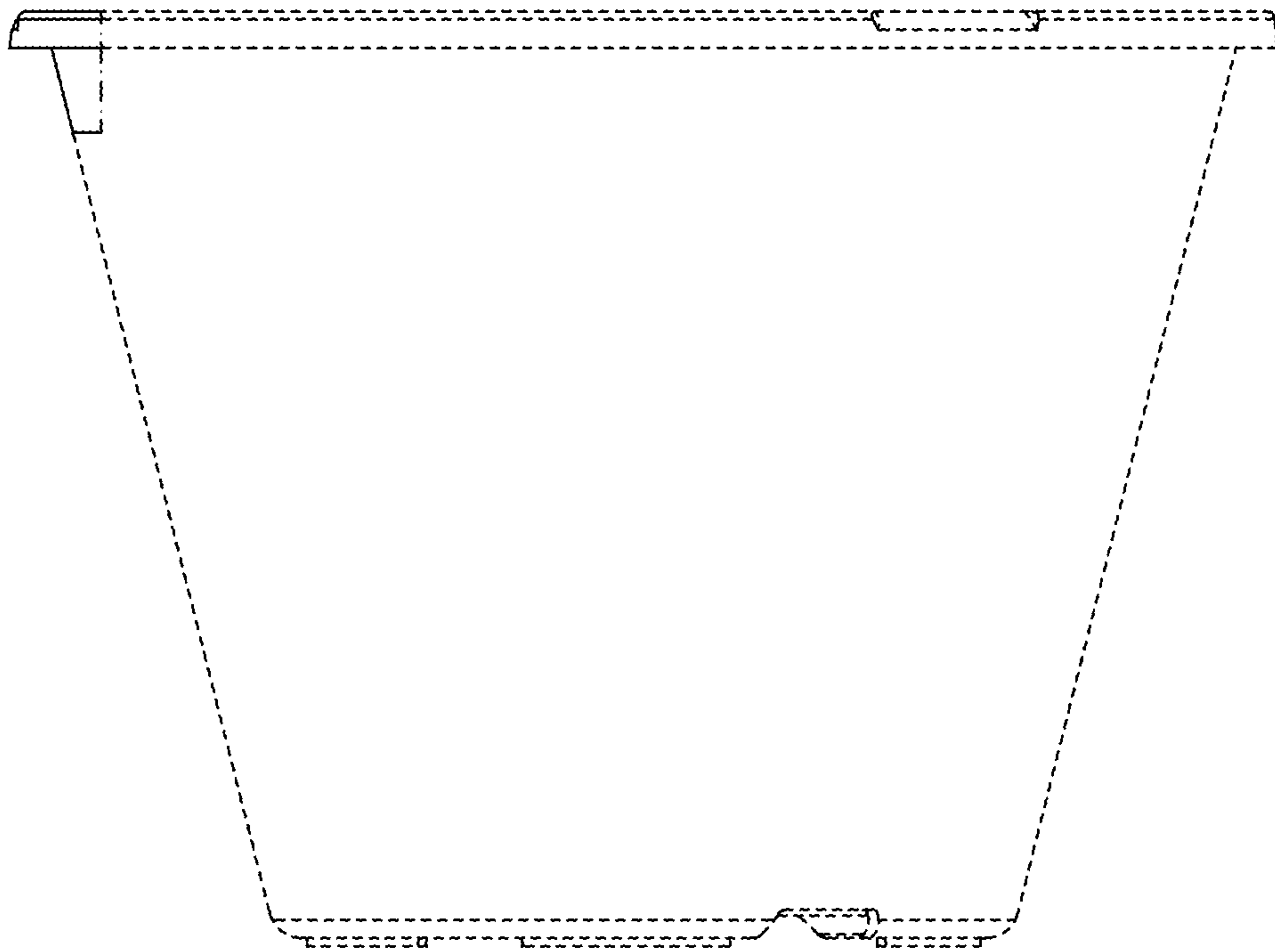


FIG. 5

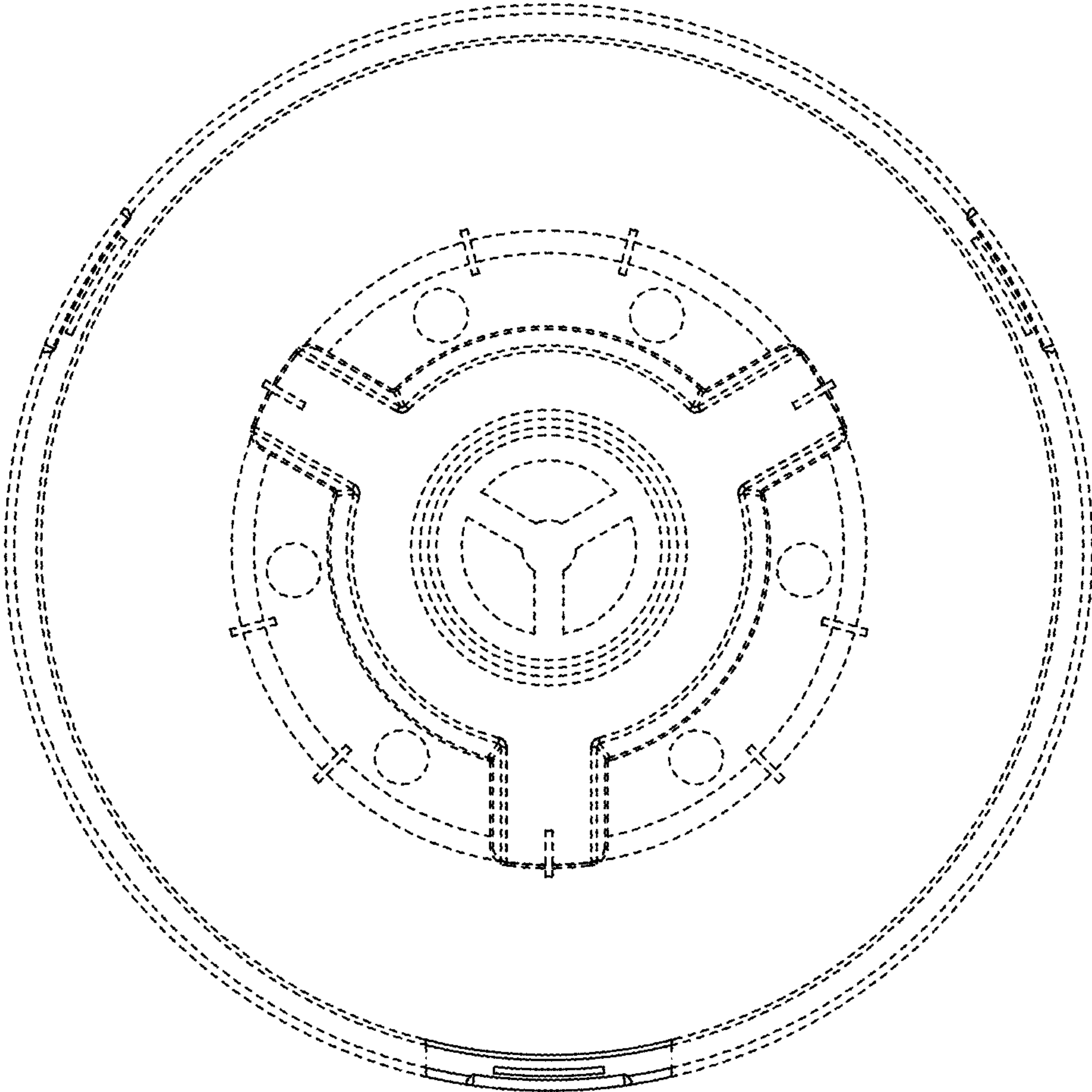


FIG. 6

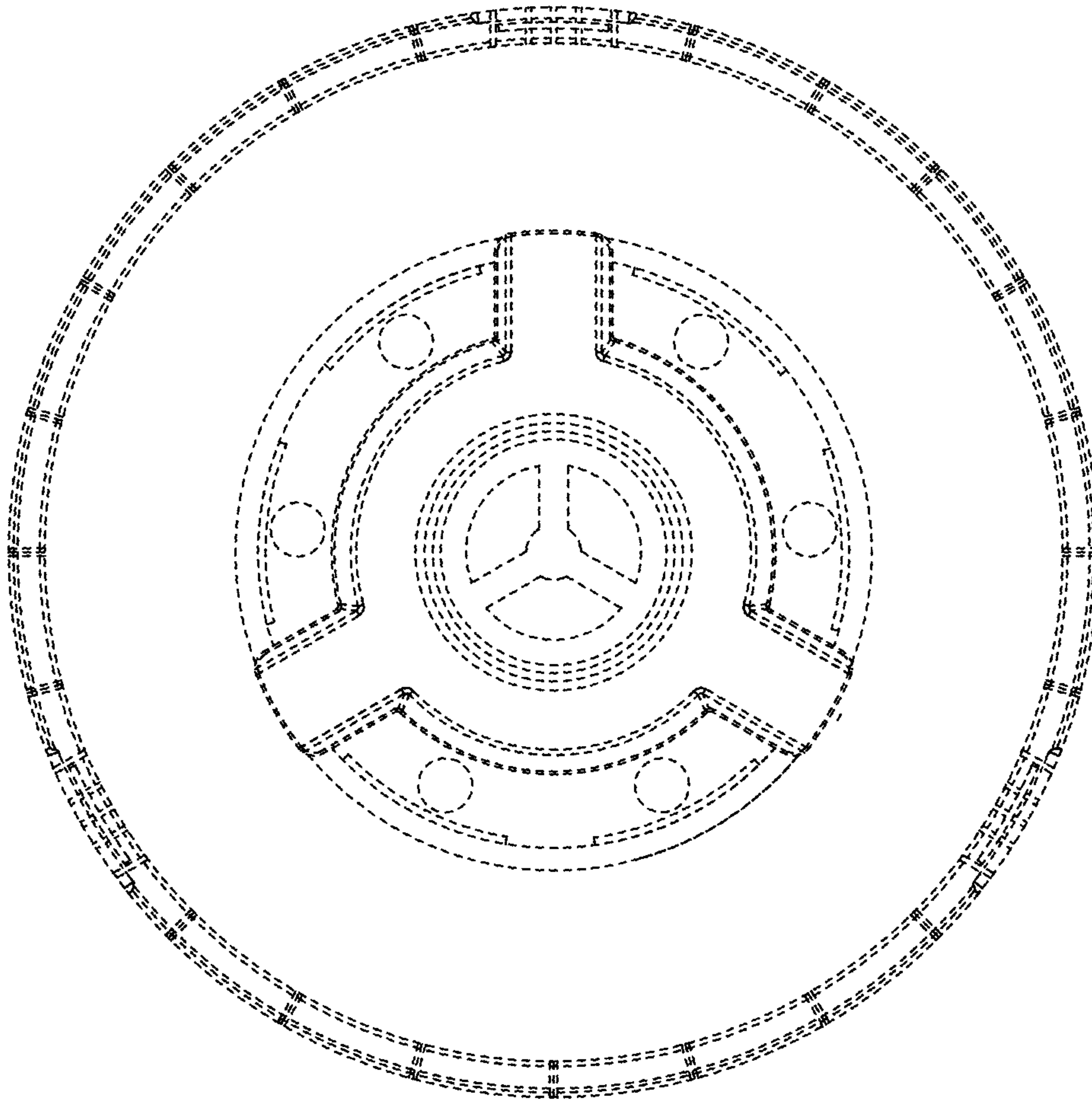


FIG. 7

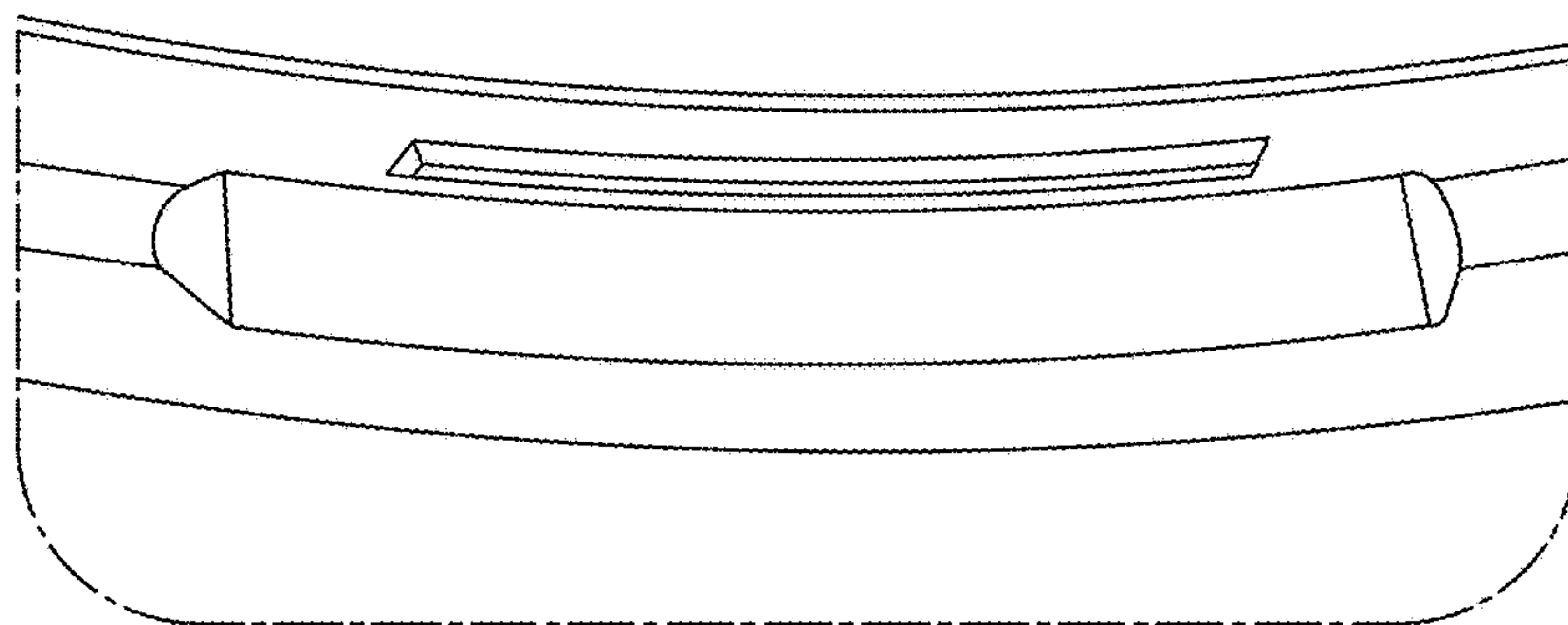


FIG. 8

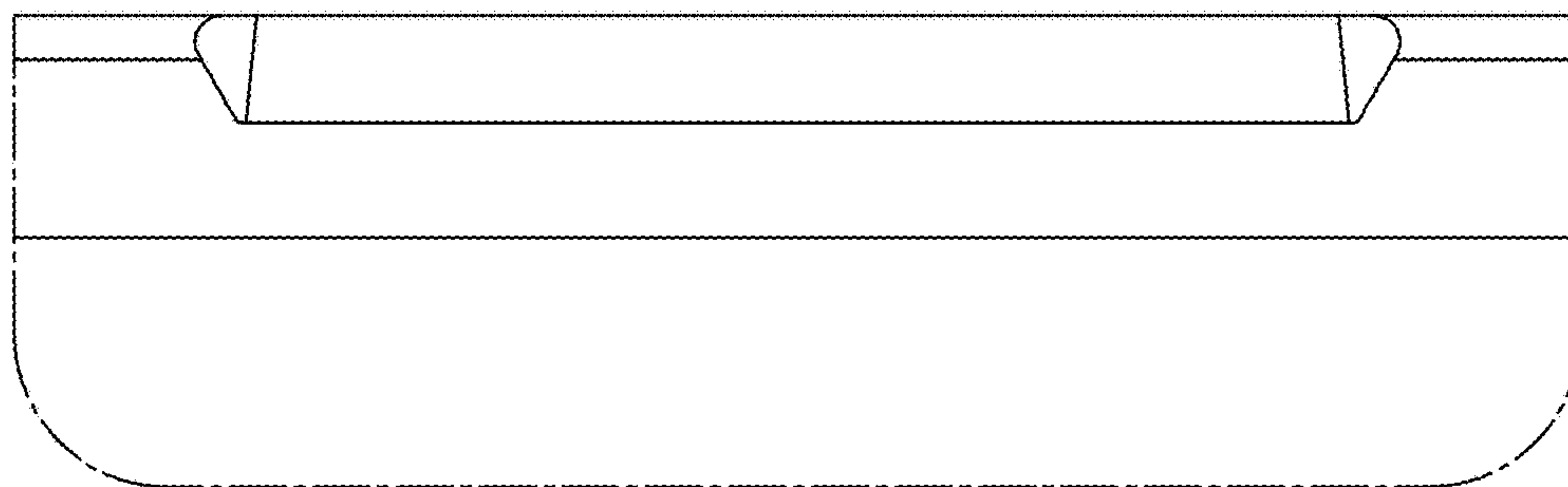


FIG. 9

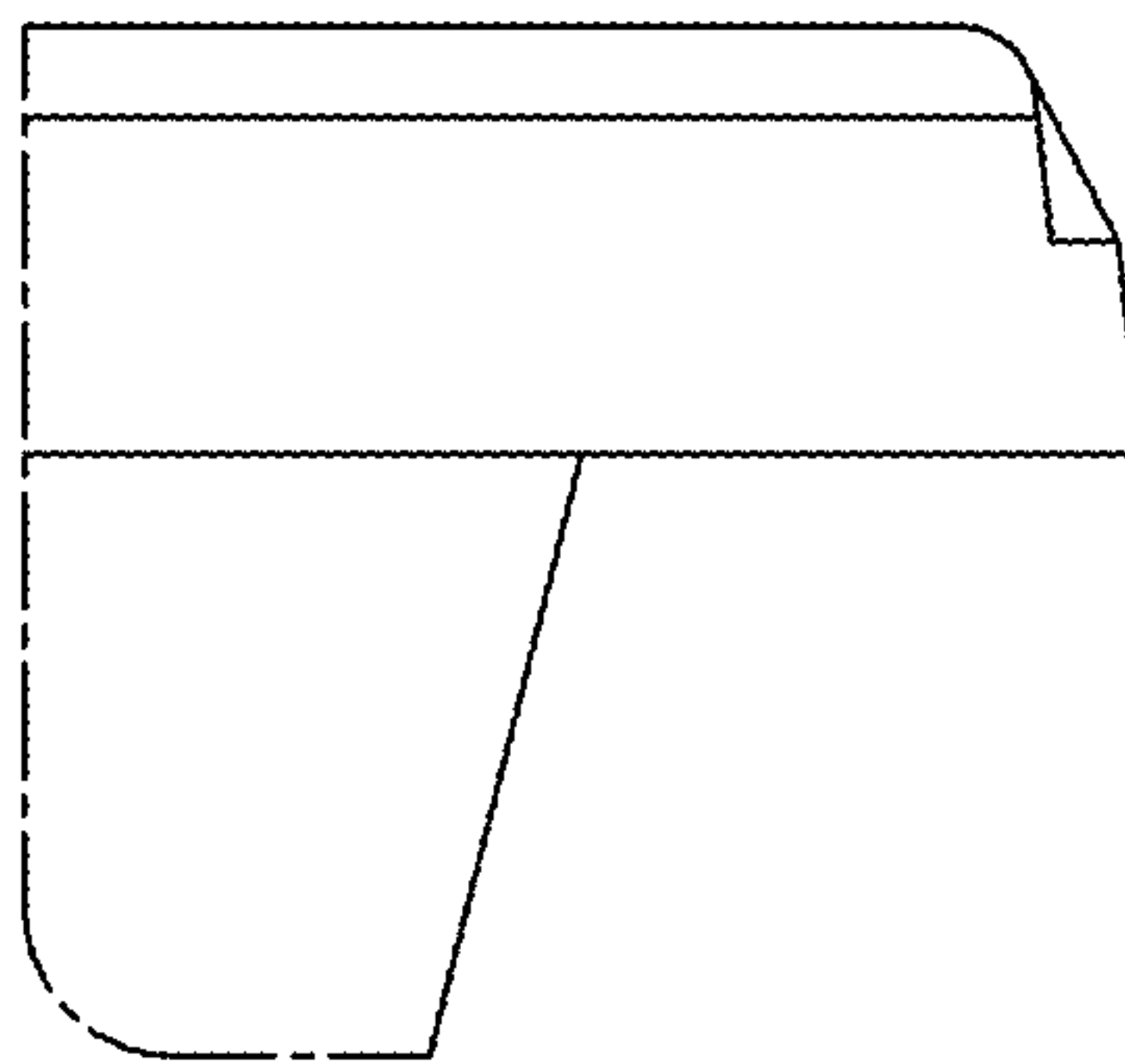


FIG. 10

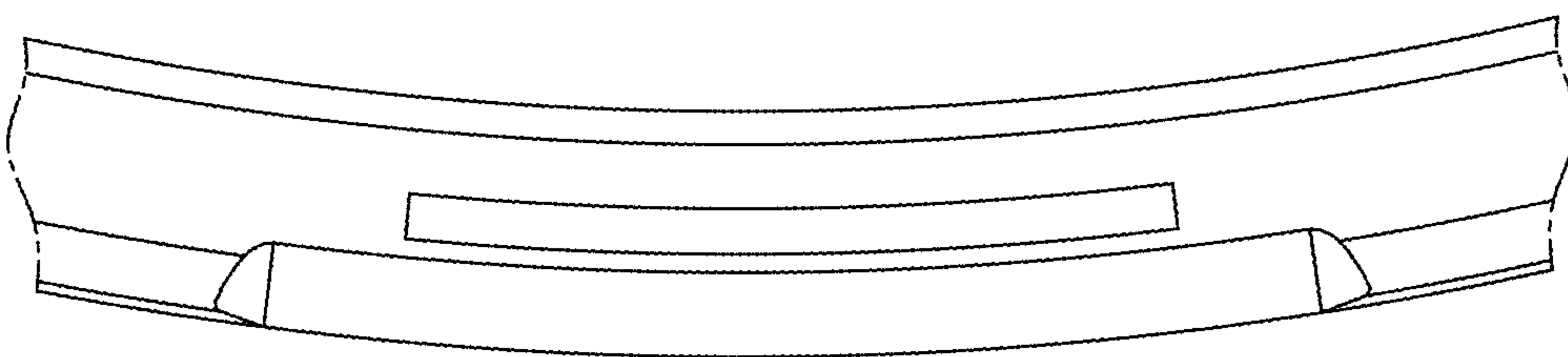


FIG. 11