



US00D827482S

(12) **United States Design Patent** (10) **Patent No.:** **US D827,482 S**
Wong (45) **Date of Patent:** **** Sep. 4, 2018**

(54) **RING**
(71) Applicant: **Chap Man Wong**, Kowloon (HK)
(72) Inventor: **Chap Man Wong**, Kowloon (HK)
(**) Term: **15 Years**

D235,466 S * 6/1975 Volkhausen D11/35
D660,742 S * 5/2012 Papadimitriou D11/34
D661,218 S * 6/2012 Papadimitriou D11/34
D672,680 S * 12/2012 Papadimitriou D11/34
D759,535 S * 6/2016 Yatsugi-Kang D11/34

(21) Appl. No.: **29/591,516**
(22) Filed: **Jan. 20, 2017**
(51) **LOC (11) Cl.** **11-01**
(52) **U.S. Cl.**
USPC **D11/34**
(58) **Field of Classification Search**
USPC ... D11/1, 2, 7, 8, 16, 26-39, 43, 44, 56, 59,
D11/79-86, 91, 92
CPC .. A44C 5/00; A44C 1/00; A44C 7/002; A44C
11/00; A44C 11/007; A44C 23/00; A44C
25/00; A44C 25/001; A44C 25/007; A44C
17/02; A44C 17/0241; A44C 17/0266;
A44C 17/0175; A44C 9/00; A44C
9/0007; A44C 9/0015; A44C 9/0023;
A44C 9/003; A44C 9/0038; A44C
9/0046; A44C 9/0053; A44C 9/0061;
A44C 9/0069; A44C 9/0076; A44C
9/0084; A44C 9/02; A44C 15/001
See application file for complete search history.

OTHER PUBLICATIONS

[Online] <https://encrypted-tbn0.gstatic.com/images?q=tbn:ANd9GcThhAjL-I7w4Zcj4ztkrNhWUiT2KIBhPq0zZC9cC-3Pg8oCp7ZyPg>. Retrieved Feb. 19, 2018.*
[Online] https://www.amazon.com/Sterling-Silver-Diamond-Accent-Amethyst/dp/B00HVTEU4A/ref=sr_1_5?ie=UTF8&qid=1519058714&sr=8-5&keywords=two+heart+ring. Posted online Jan. 16, 2014. Retrieved Feb. 19, 2018.*
[Online] https://www.amazon.com/Sterling-Silver-Diamond-Accent-Amethyst/dp/B00HVTEU4A/ref=sr_1_5?ie=UTF8&qid=1519058714&sr=8-5&keywords=two+heart+ring. Posted online Sep. 12, 2016. Retrieved Feb. 19, 2018.*

* cited by examiner

Primary Examiner — Melanie Pellegrini
(74) *Attorney, Agent, or Firm* — Law Offices of Konrad Sherinian, LLC

(57) **CLAIM**
The ornamental design for a ring, as shown and described.

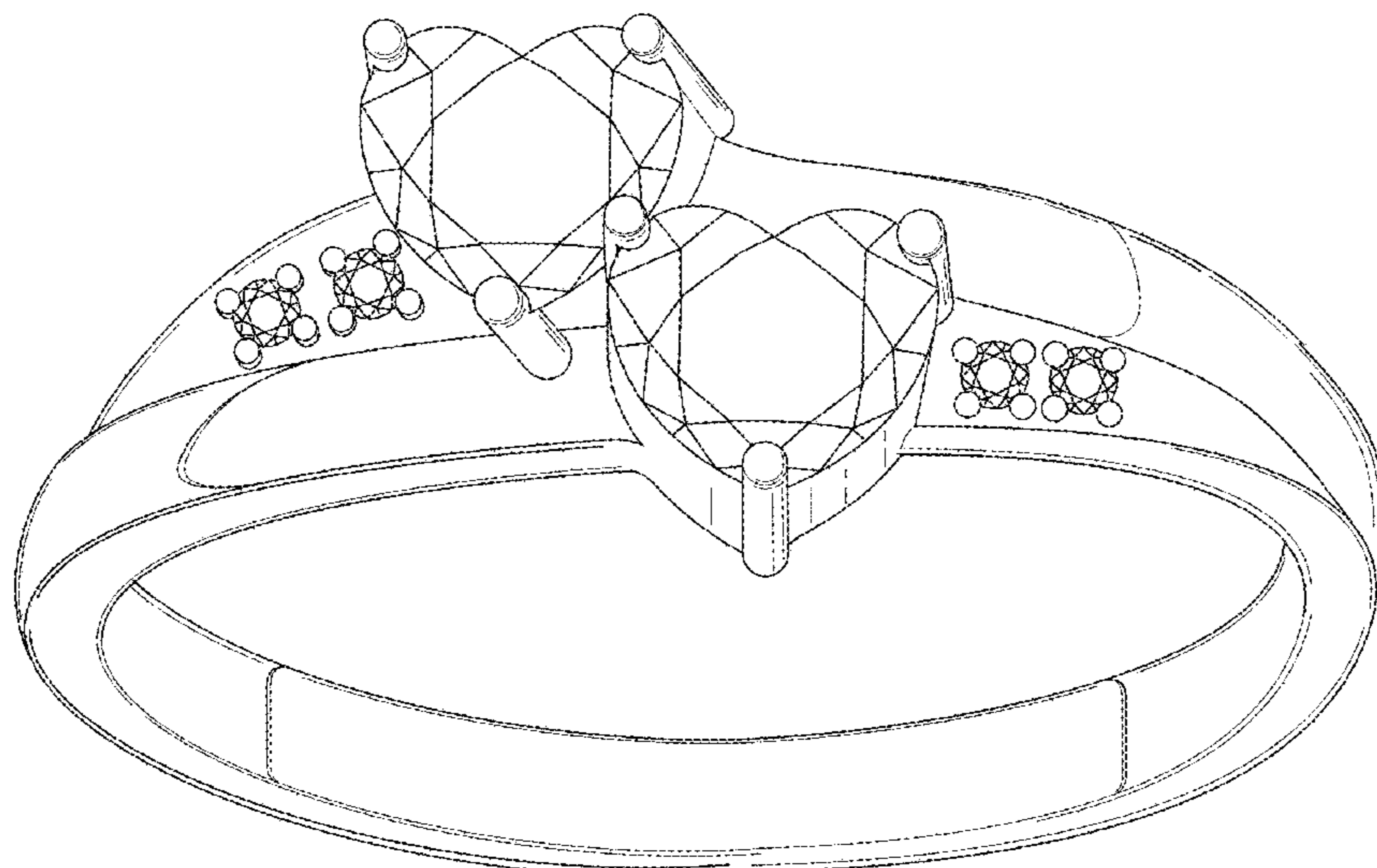
DESCRIPTION

FIG. 1 is a front perspective view of a ring;
FIG. 2 is a front side view thereof;
FIG. 3 is a rear side view thereof;
FIG. 4 is a left side view thereof;
FIG. 5 is a right side view thereof;
FIG. 6 is a top side view thereof; and,
FIG. 7 is a bottom side view thereof.

1 Claim, 3 Drawing Sheets

(56) **References Cited**
U.S. PATENT DOCUMENTS

D84,286 S * 6/1931 Gross D11/34
D140,548 S * 3/1945 Klein D11/26
D165,558 S * 12/1951 Sorrentino D11/35
D176,265 S * 12/1955 Katz D11/34
D181,452 S * 11/1957 Barbieri D11/36
D186,990 S * 1/1960 Berland D11/33



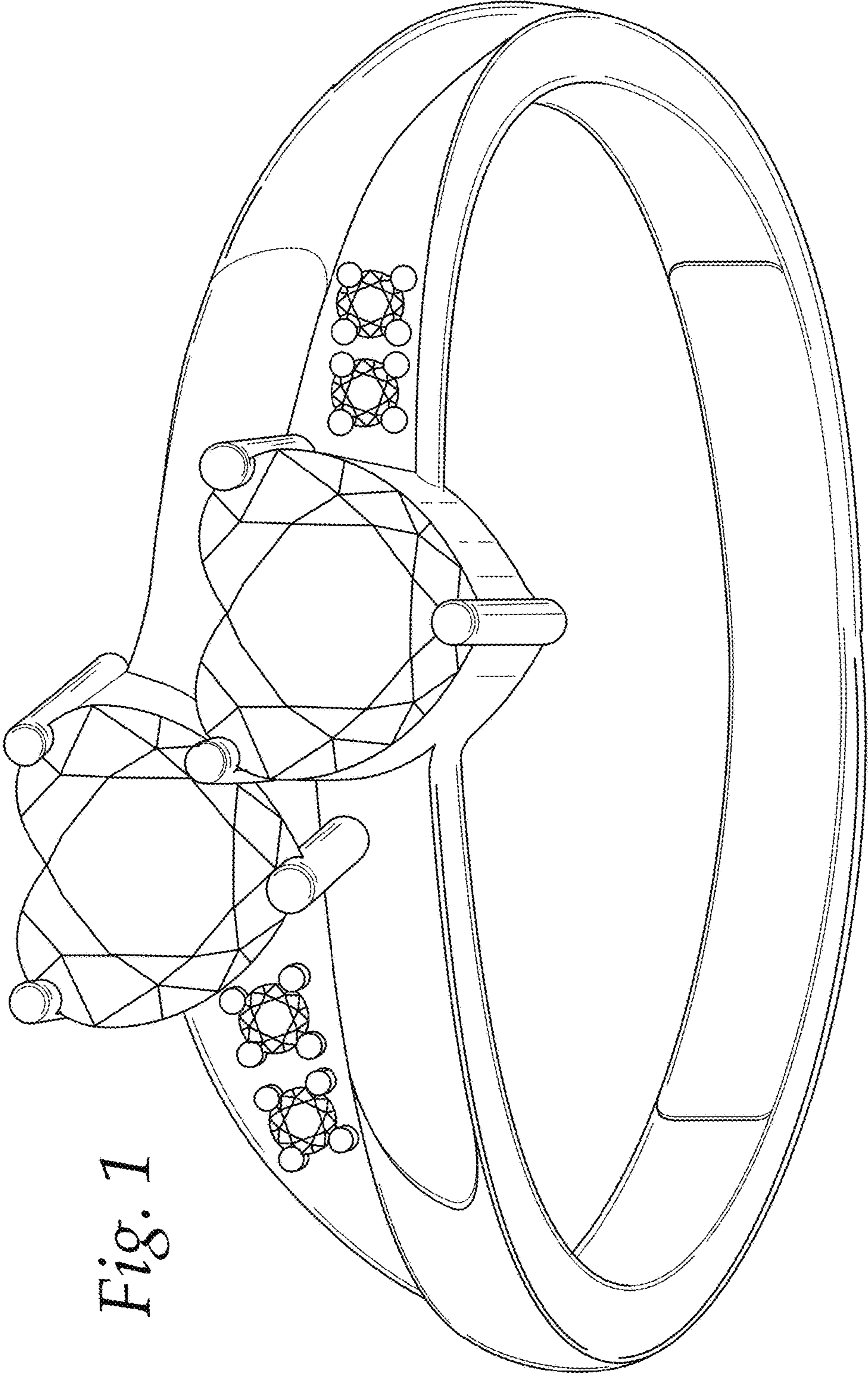


Fig. 1

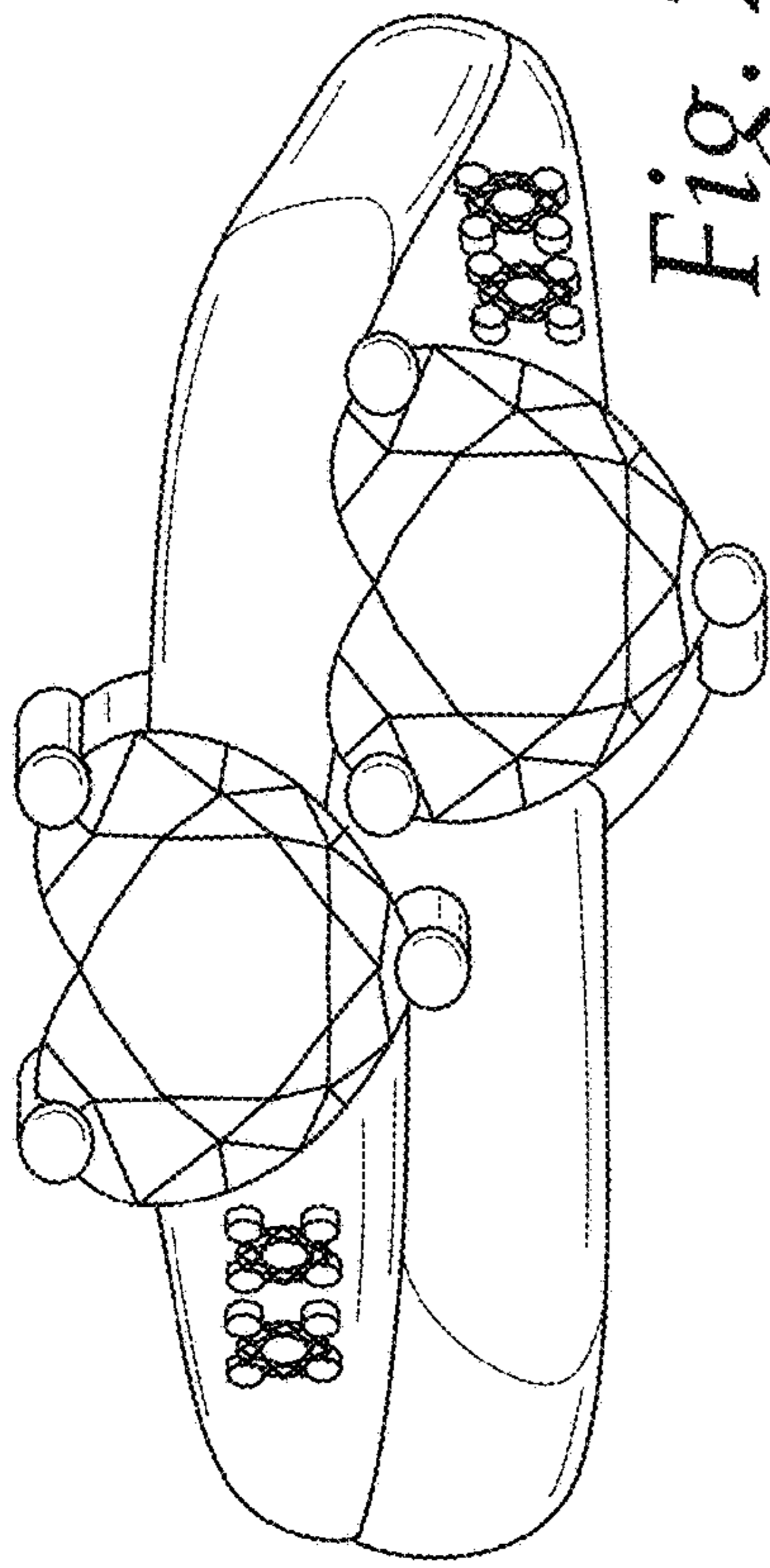


Fig. 2

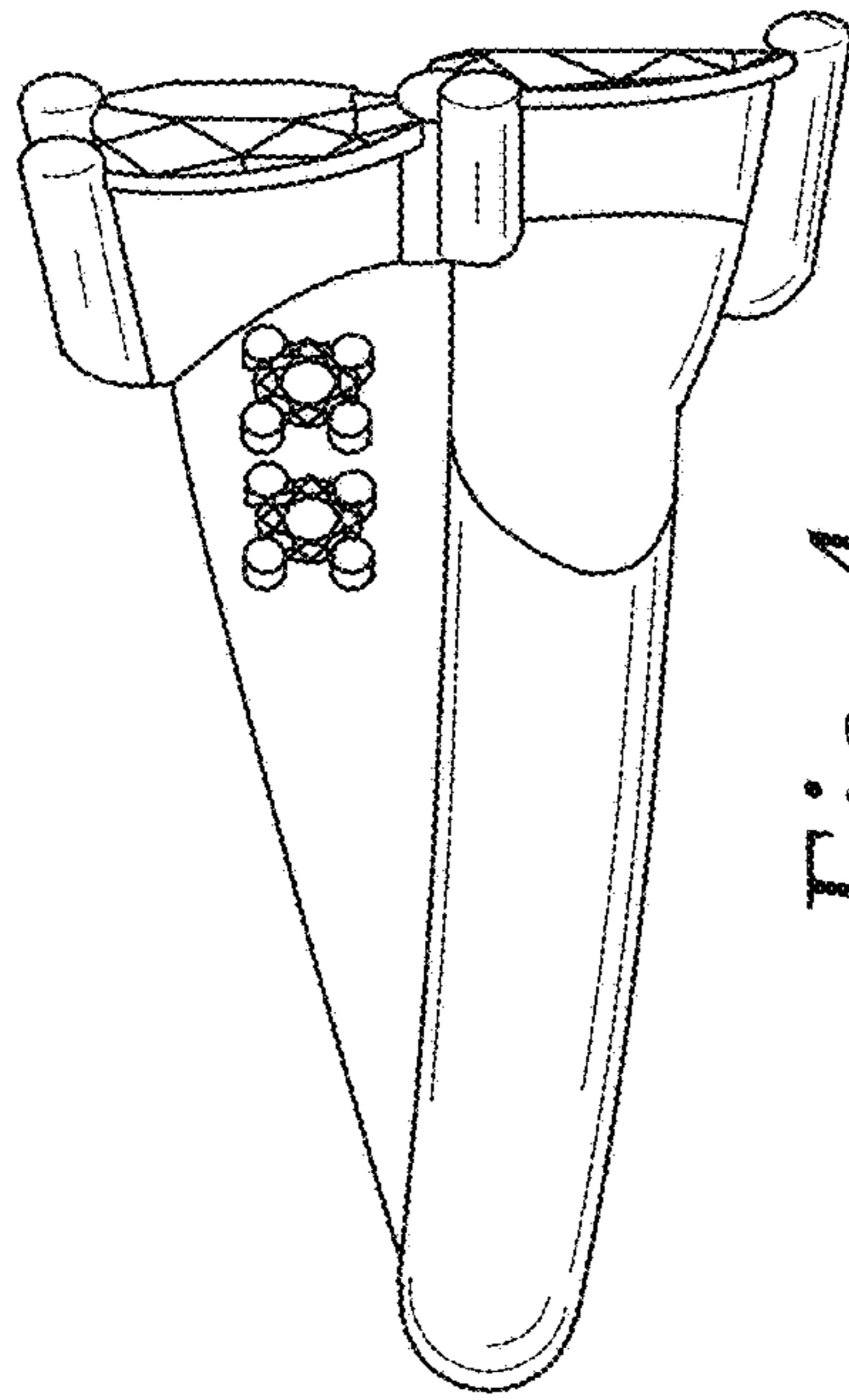


Fig. 4

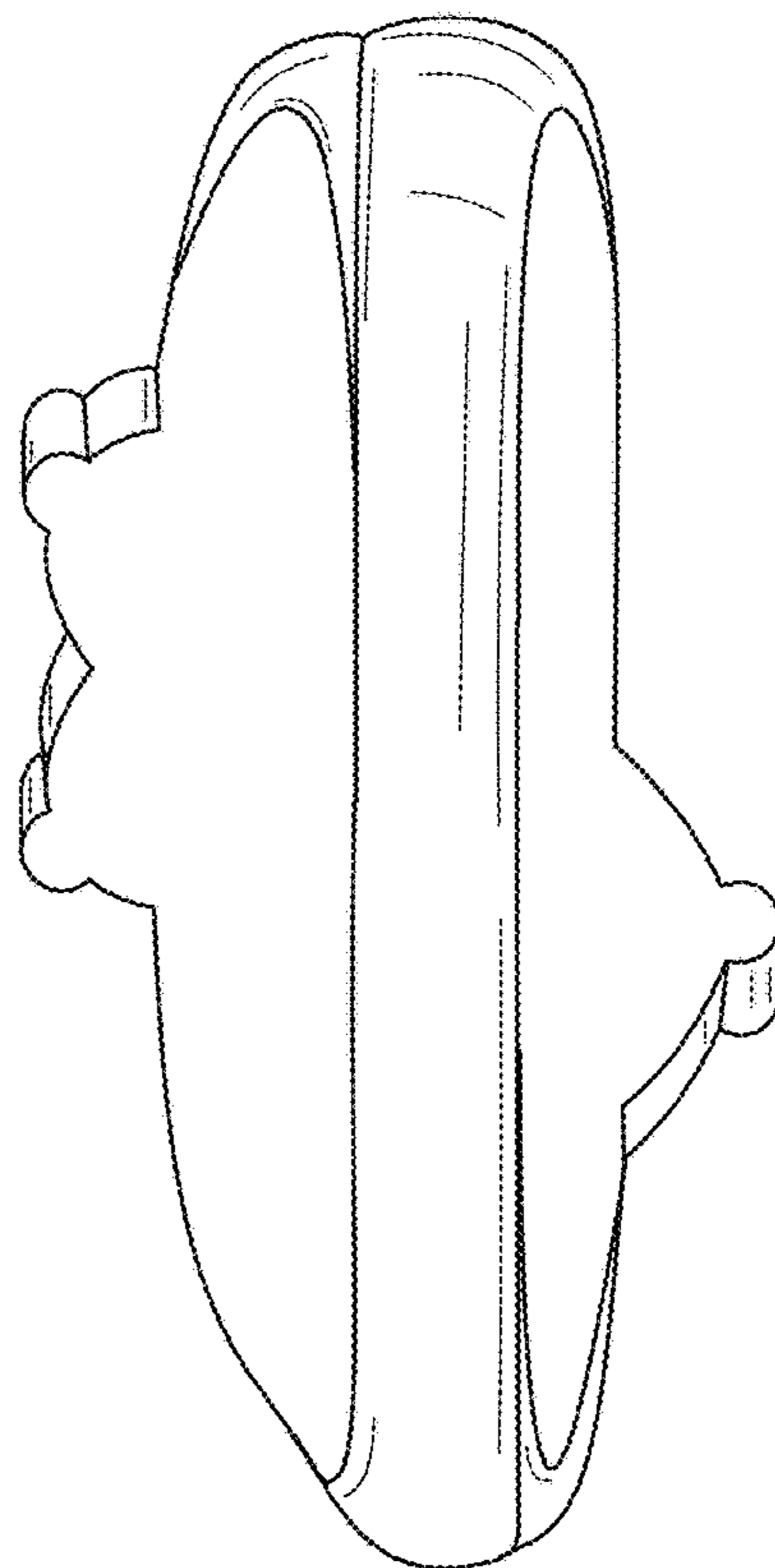


Fig. 3

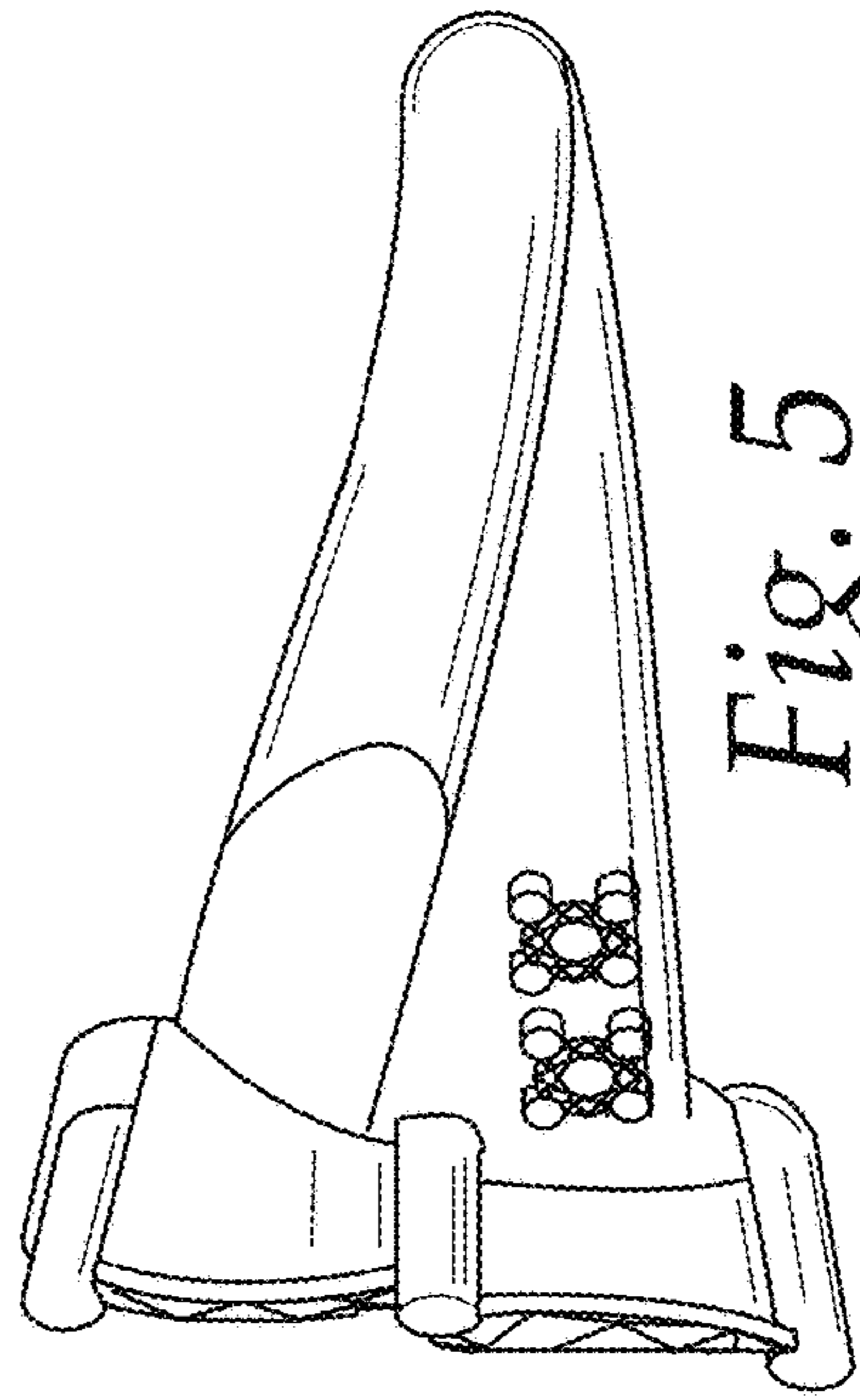


Fig. 5

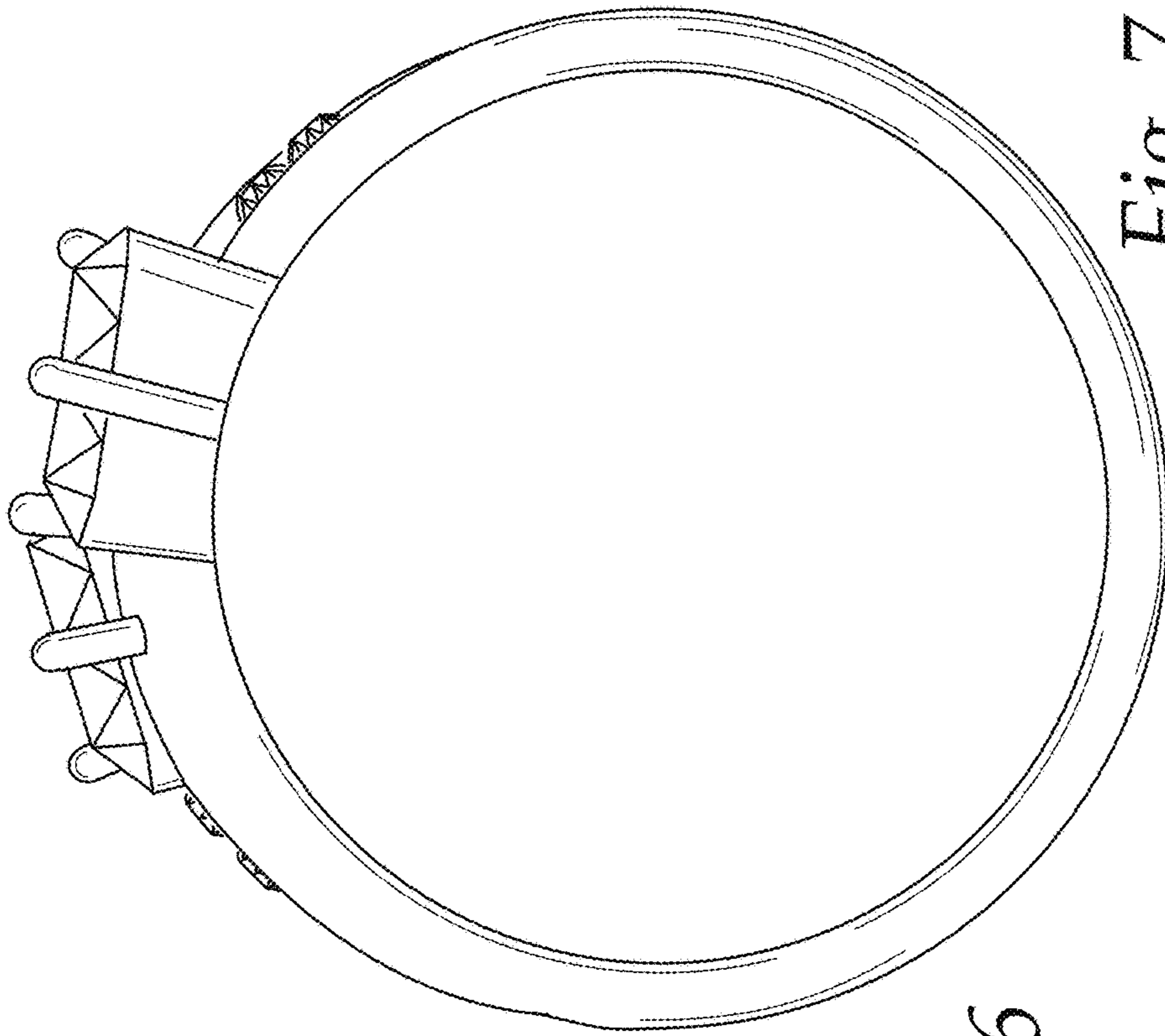


Fig. 6

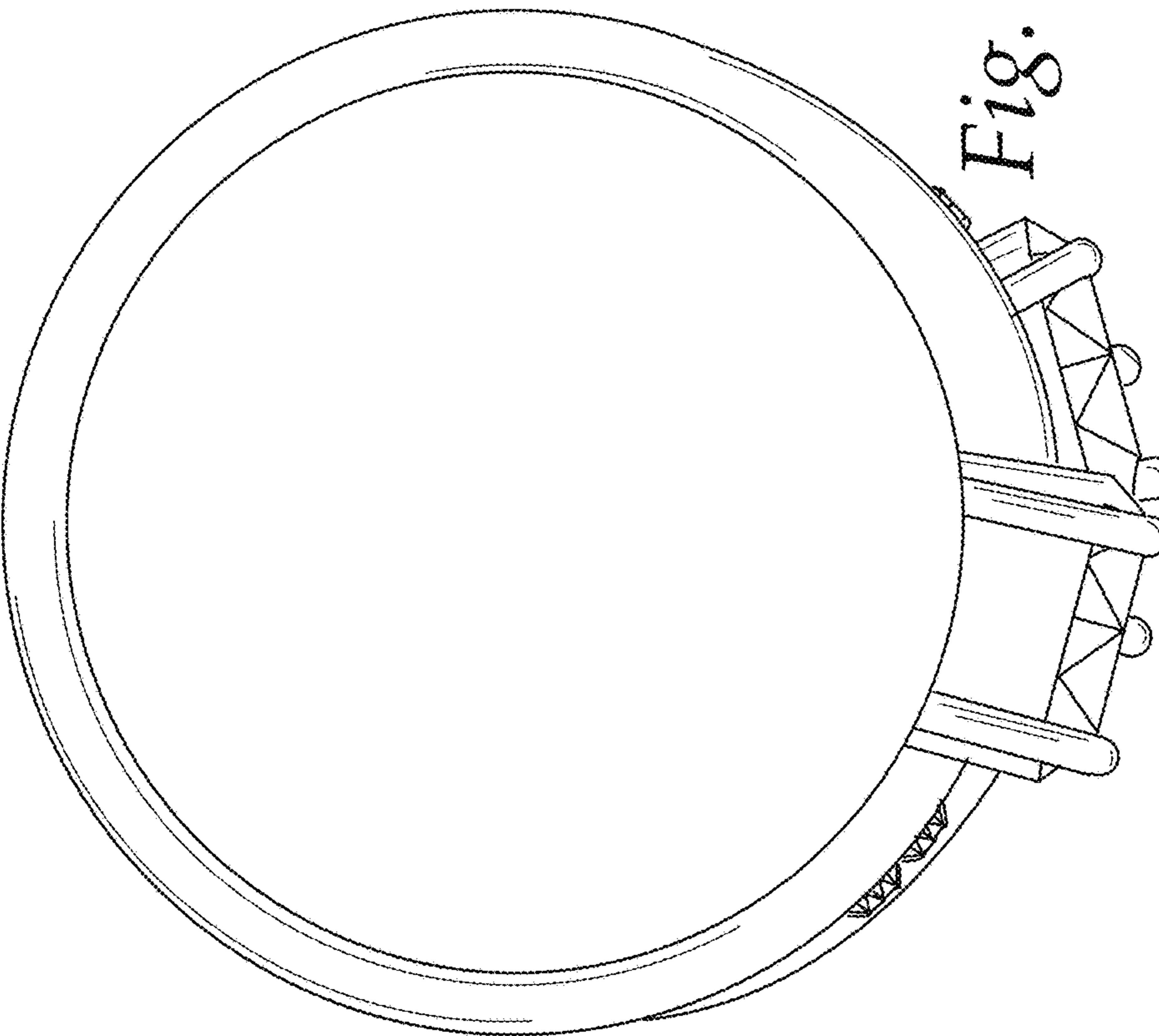


Fig. 7