



US00D827479S

(12) **United States Design Patent**
Saiger

(10) **Patent No.:** **US D827,479 S**

(45) **Date of Patent:** **** Sep. 4, 2018**

- (54) **CUFF**
- (71) Applicant: **Miansai Inc.**, Miami, FL (US)
- (72) Inventor: **Michael Saiger**, Miami, FL (US)
- (73) Assignee: **Miansai Inc.**, Miami, FL (US)
- (**) Term: **15 Years**
- (21) Appl. No.: **29/607,398**
- (22) Filed: **Jun. 13, 2017**
- (51) **LOC (11) Cl.** **11-01**
- (52) **U.S. Cl.**
USPC **D11/5**
- (58) **Field of Classification Search**
USPC D11/1-43, 47, 77-80, 85, 86, 89-92;
D28/41; D8/349, 367, 382, 396;
D19/99, 100; D3/207
CPC A44C 1/00; A44C 5/00; A44C 5/0007;
A44C 5/0015; A44C 5/0023; A44C
5/003; A44C 5/0084; A44C 5/0092; A44C
7/00; A44C 7/001; A44C 7/002; A44C
7/003; A44C 7/004; A44C 7/005; A44C
17/02; A44C 17/0208; A44C 17/0216;
A44C 17/0225; A44C 17/0233; A44C
17/0241; A44C 17/025; A44C 17/04;
A44C 17/046; A44C 9/00; A44C 9/0038;
A44C 9/0046; A44C 9/0053; A44C
9/0061; A44C 9/0069; A44C 9/0084;
A44C 9/02; A44C 13/00
See application file for complete search history.

(56) **References Cited**

U.S. PATENT DOCUMENTS

- 692,584 A * 2/1902 Adams et al. B42F 3/04
D11/4
- 808,805 A * 1/1906 Bagnall A44C 5/12
63/8
- 947,312 A * 1/1910 Spatschil A44C 5/0092
63/7

- 2,255,008 A * 9/1941 Hargreaves A44C 5/2047
63/7
 - 2,582,878 A * 1/1952 Metcalf A44C 5/22
63/7
 - D257,949 S * 1/1981 Strom D8/356
 - 4,991,409 A * 2/1991 Creates A44C 9/0046
63/15.7
 - D317,177 S * 5/1991 Wandenberg-Boschetti
D19/100
 - D325,022 S * 3/1992 Arthur D13/119
- (Continued)

Primary Examiner — Robin V Webster
Assistant Examiner — L. Martinez-Rivera
 (74) *Attorney, Agent, or Firm* — Greenberg Traurig, LLP

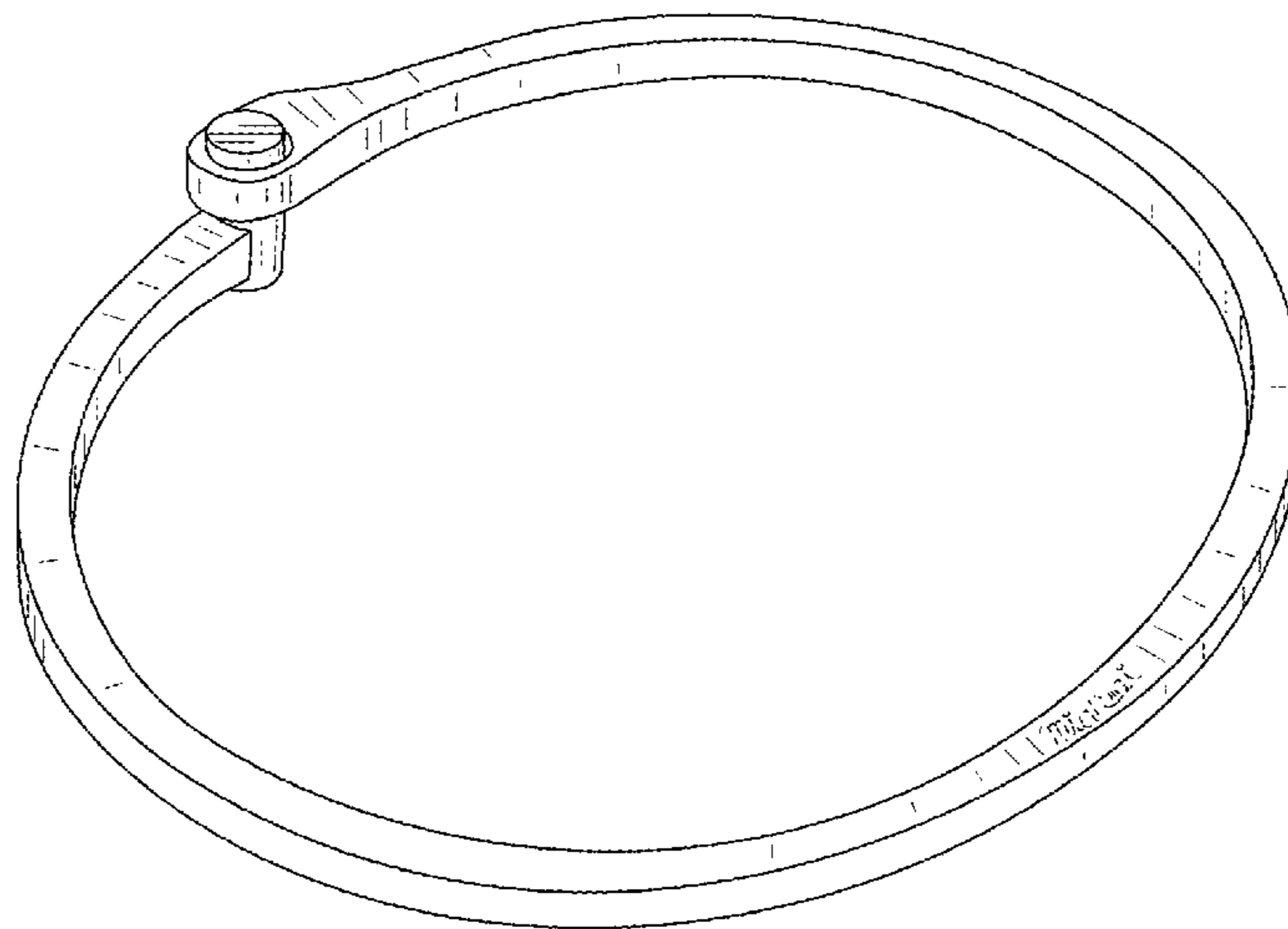
(57) **CLAIM**

The ornamental design for a cuff, as shown and described.

DESCRIPTION

FIG. 1 is a perspective view of a cuff showing my new design in a closed arrangement;
 FIG. 2 is another perspective thereof;
 FIG. 3 is a top plan view thereof;
 FIG. 4 is a bottom plan view thereof;
 FIG. 5 is a front view thereof;
 FIG. 6 is a rear view thereof;
 FIG. 7 is a side elevation view thereof;
 FIG. 8 is another side elevation view thereof;
 FIG. 9 is another perspective view of the cuff of FIG. 1, showing my new design in an open arrangement;
 FIG. 10 is another perspective thereof;
 FIG. 11 is a top plan view thereof;
 FIG. 12 is a bottom plan view thereof;
 FIG. 13 is a front view thereof;
 FIG. 14 is a rear view thereof;
 FIG. 15 is a side elevation view thereof; and,
 FIG. 16 is another side elevation view thereof.
 The writing shown in broken lines represents environmental subject matter only and forms no part of the claimed design.

1 Claim, 6 Drawing Sheets



(56)

References Cited

U.S. PATENT DOCUMENTS

D405,381 S *	2/1999	Perrin	D11/4
D419,054 S *	1/2000	Curwood	D8/382
D497,567 S *	10/2004	Hardy	D11/5
D505,633 S *	5/2005	Hardy	D11/26
D515,450 S *	2/2006	Schiesl-Griesinger	D11/4
D529,408 S *	10/2006	Park	D11/4
D539,689 S *	4/2007	Mertens	D11/3
D690,190 S *	9/2013	McGrath	D8/394
D771,869 S *	11/2016	Dulien	D28/41

* cited by examiner

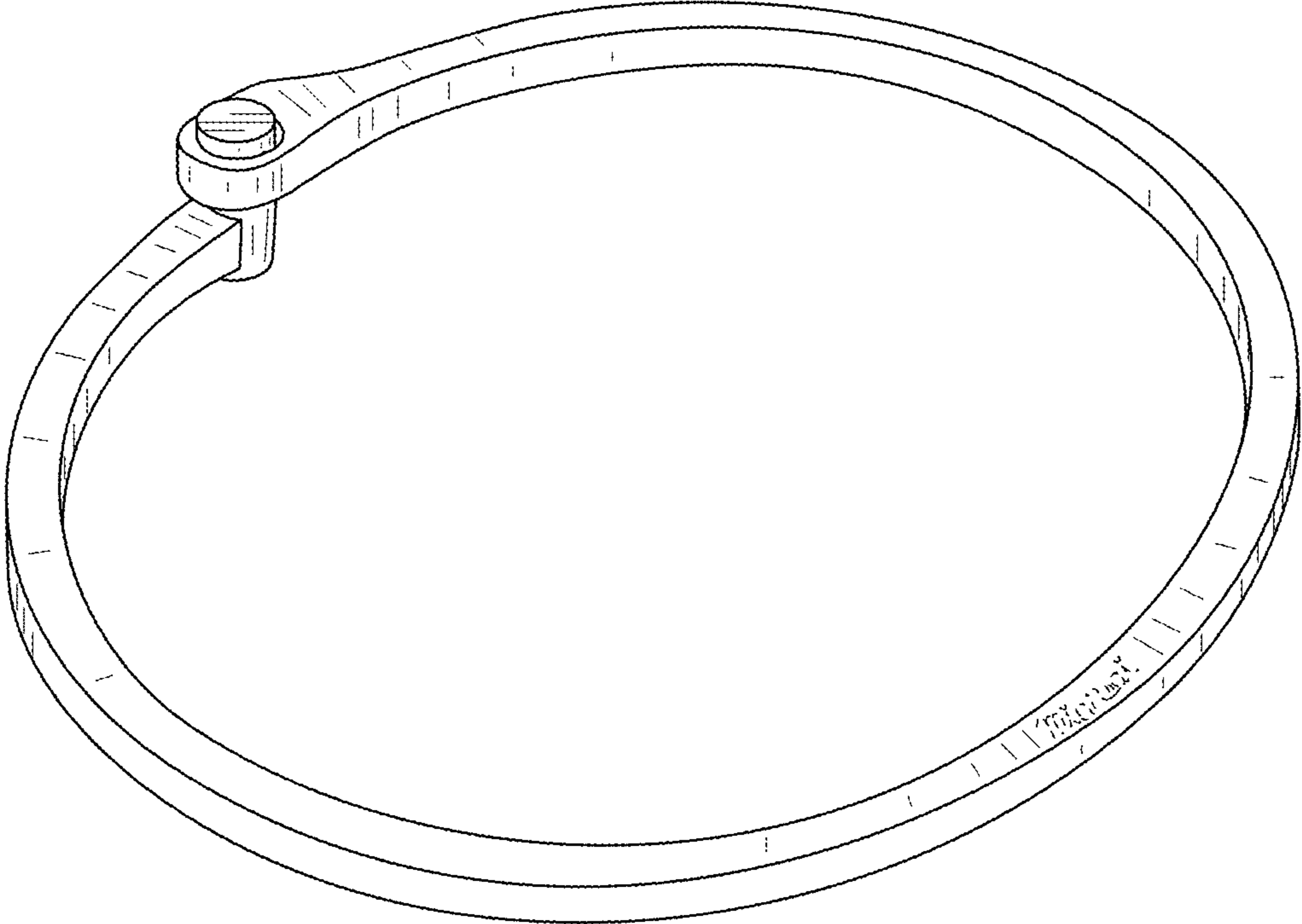


FIG. 1

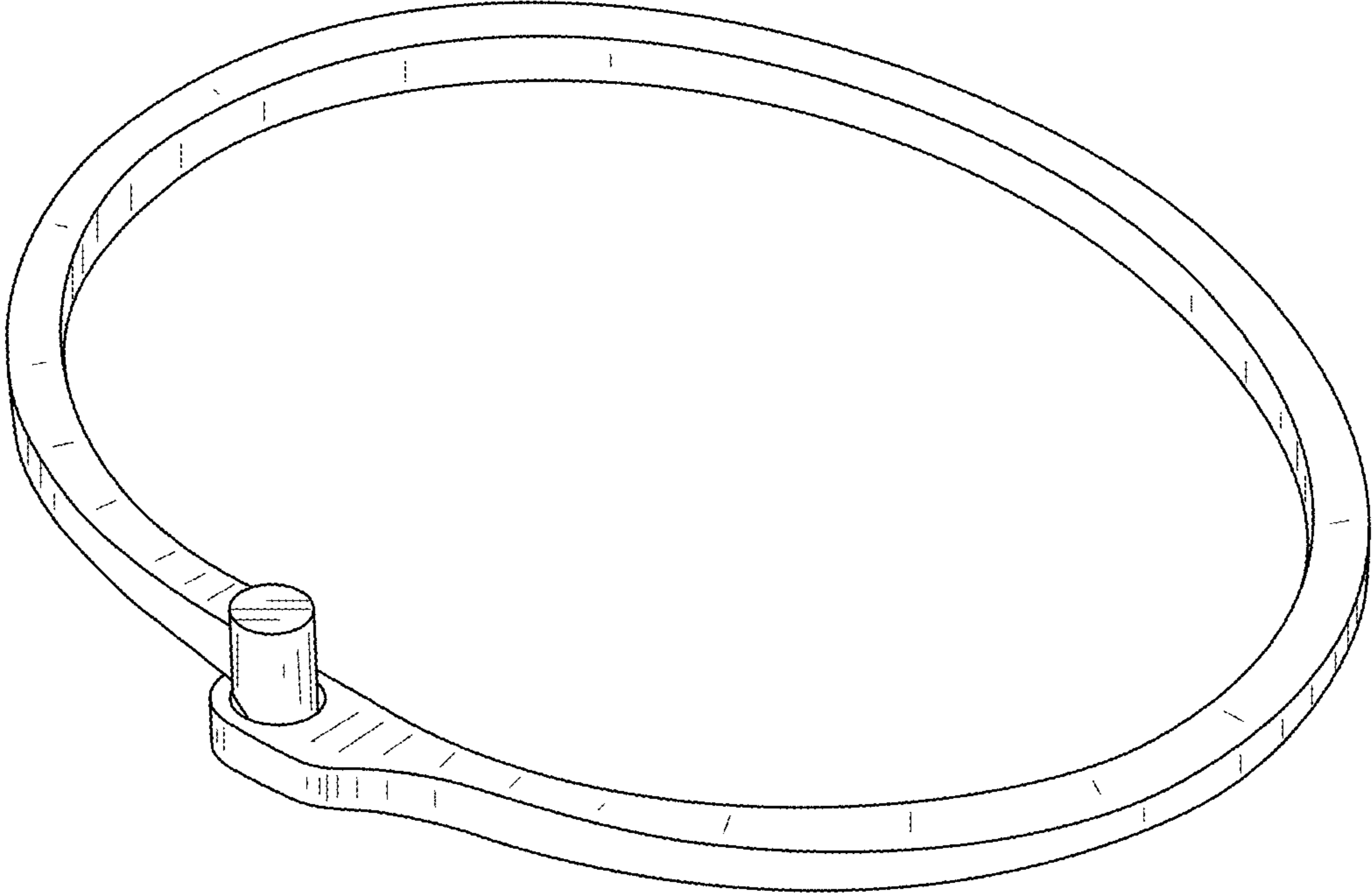


FIG. 2

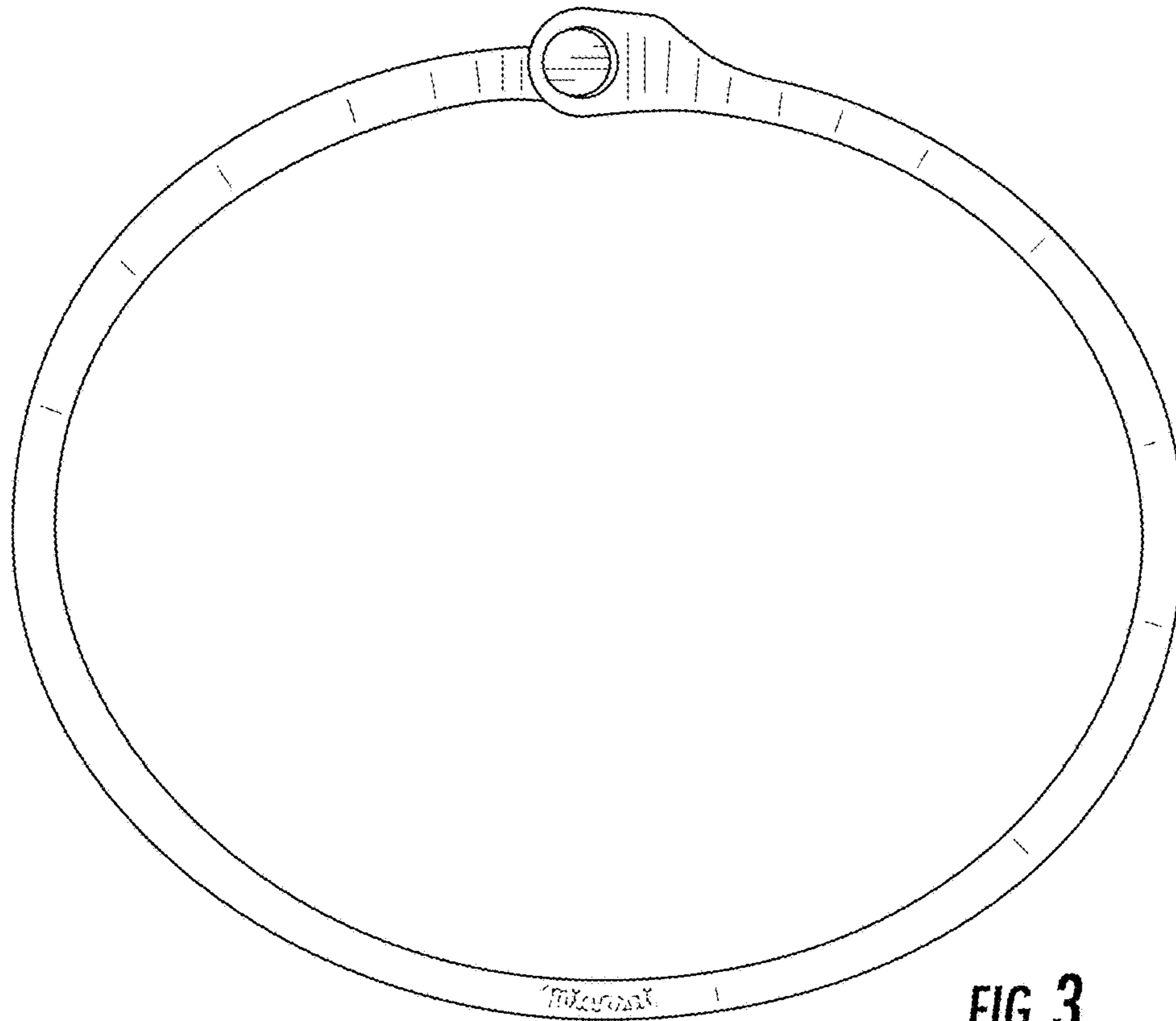


FIG. 3

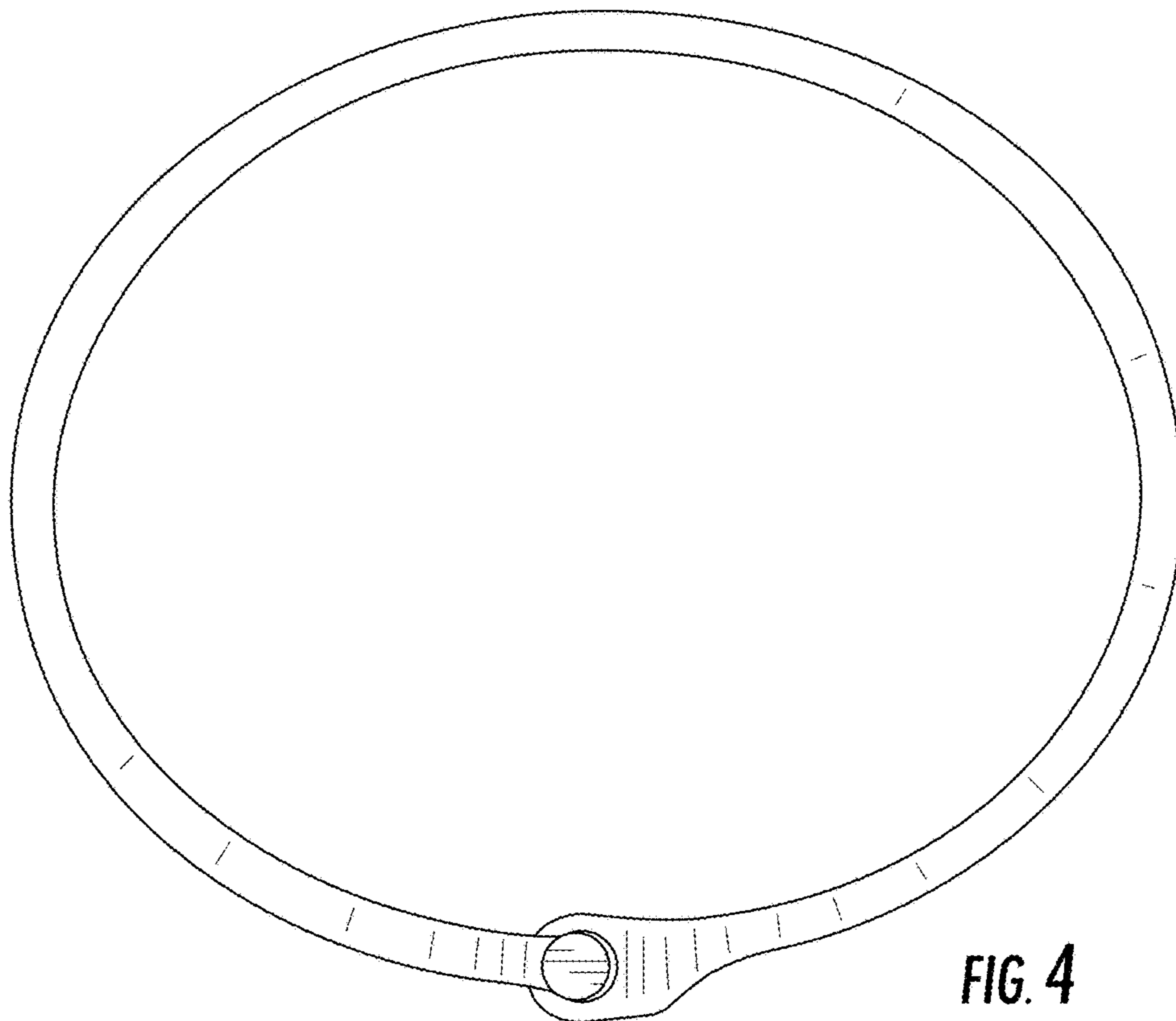


FIG. 4

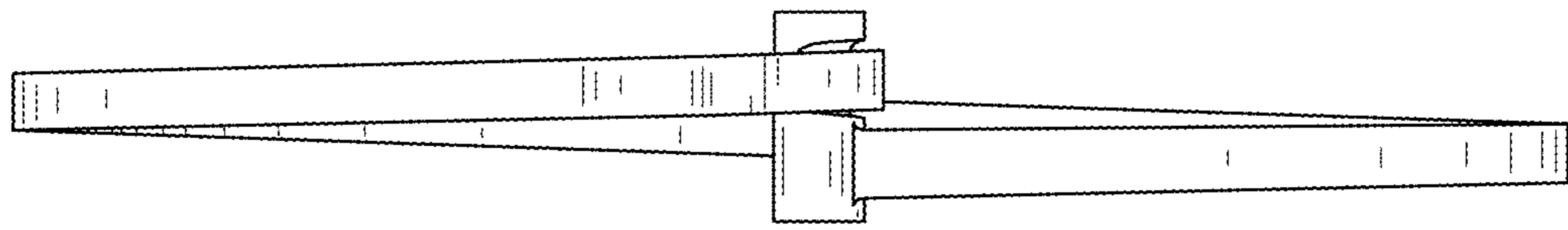


FIG. 5

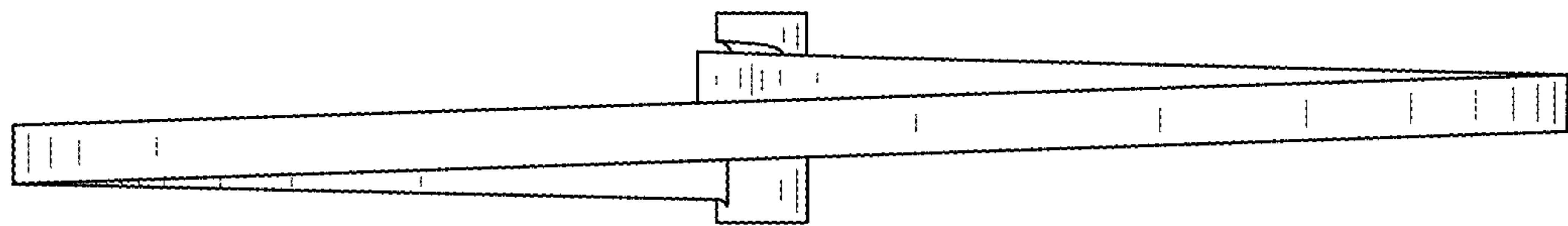


FIG. 6

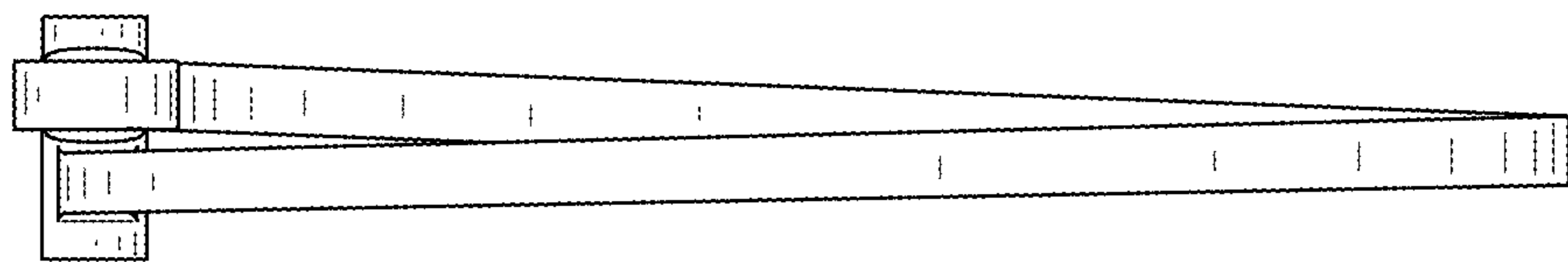


FIG. 7

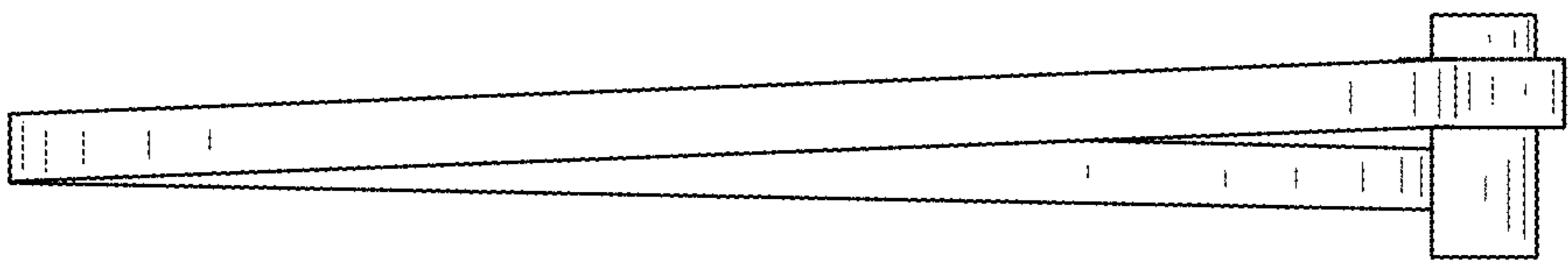


FIG. 8

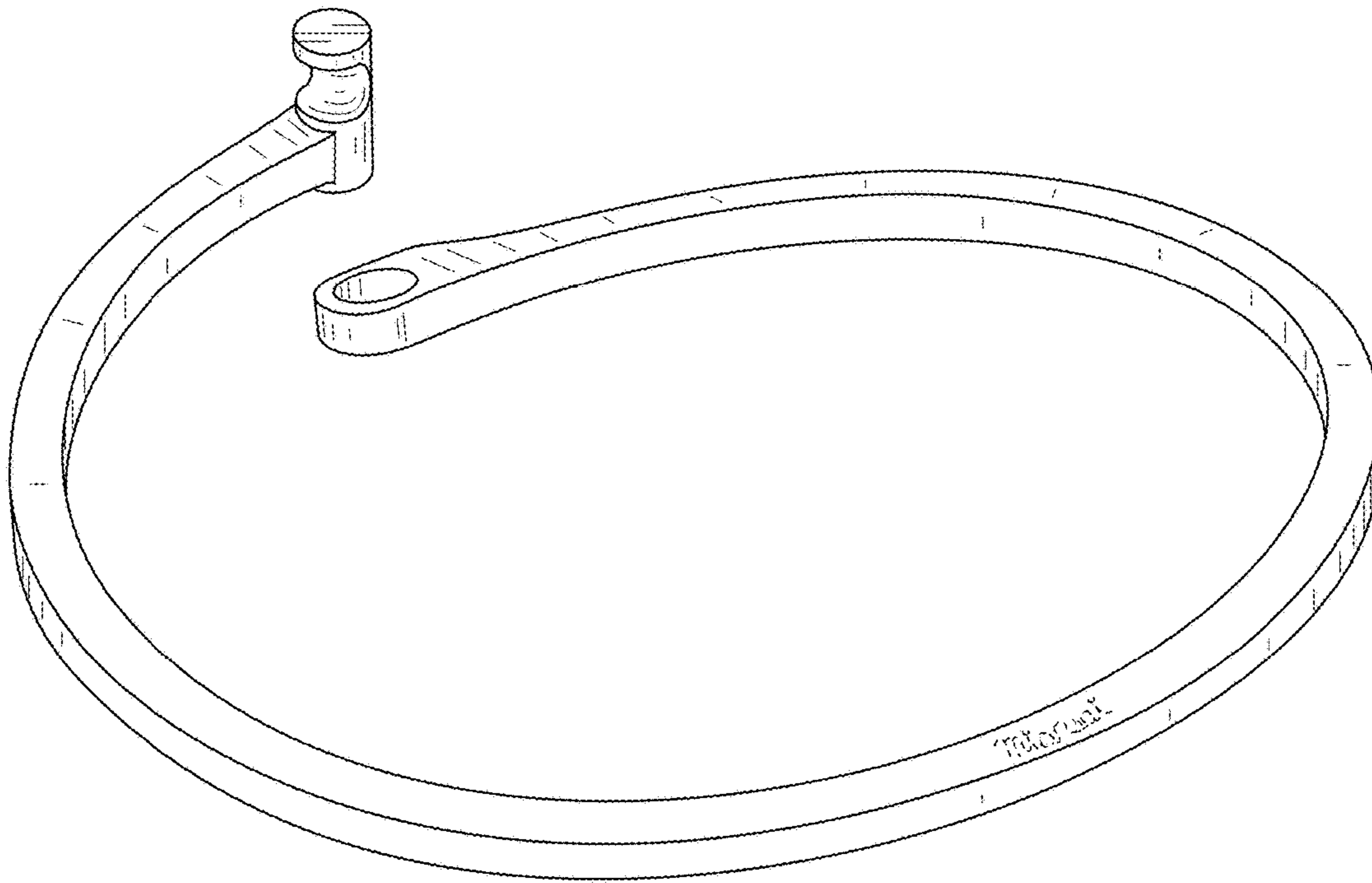


FIG. 9

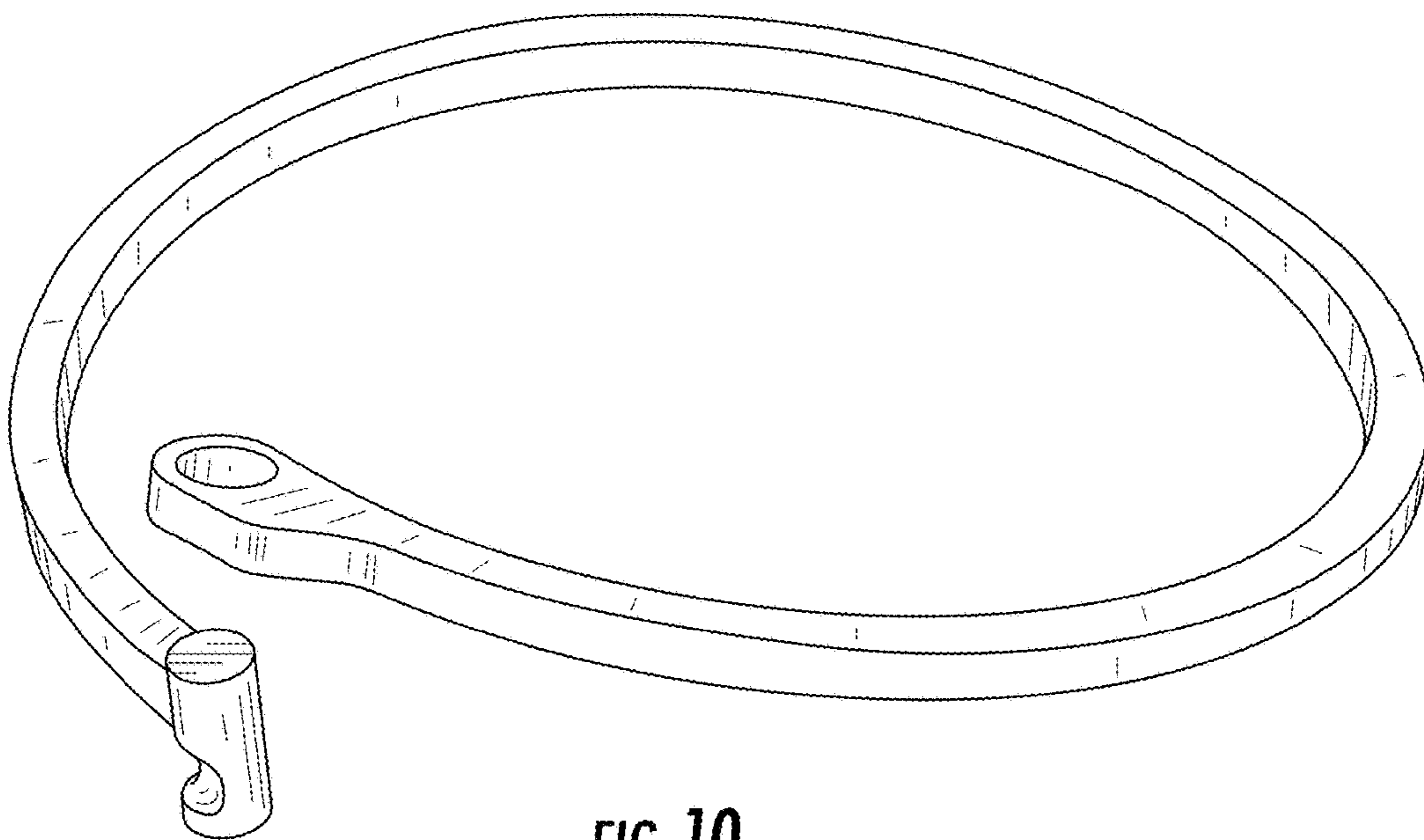


FIG. 10

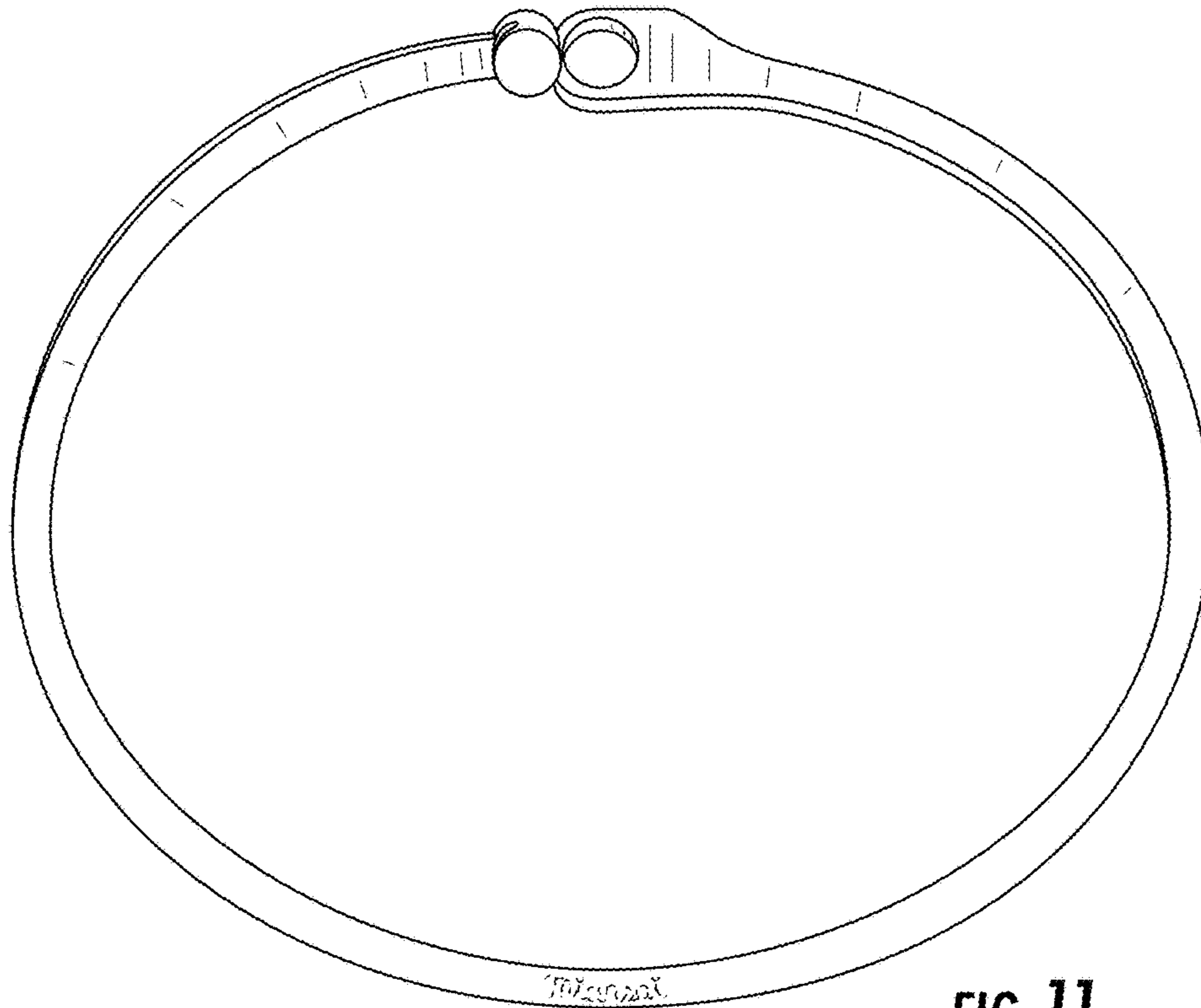


FIG. 11

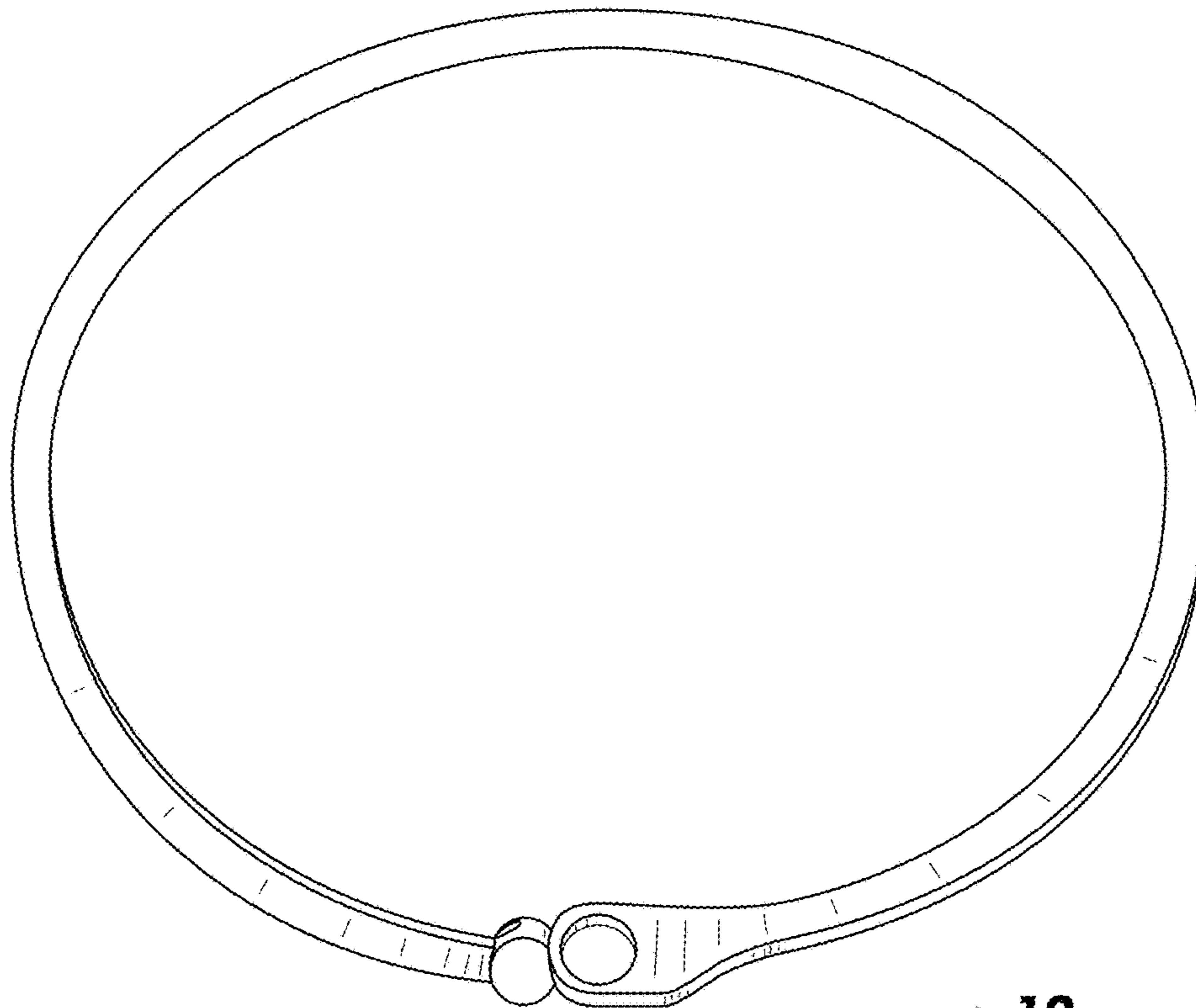


FIG. 12

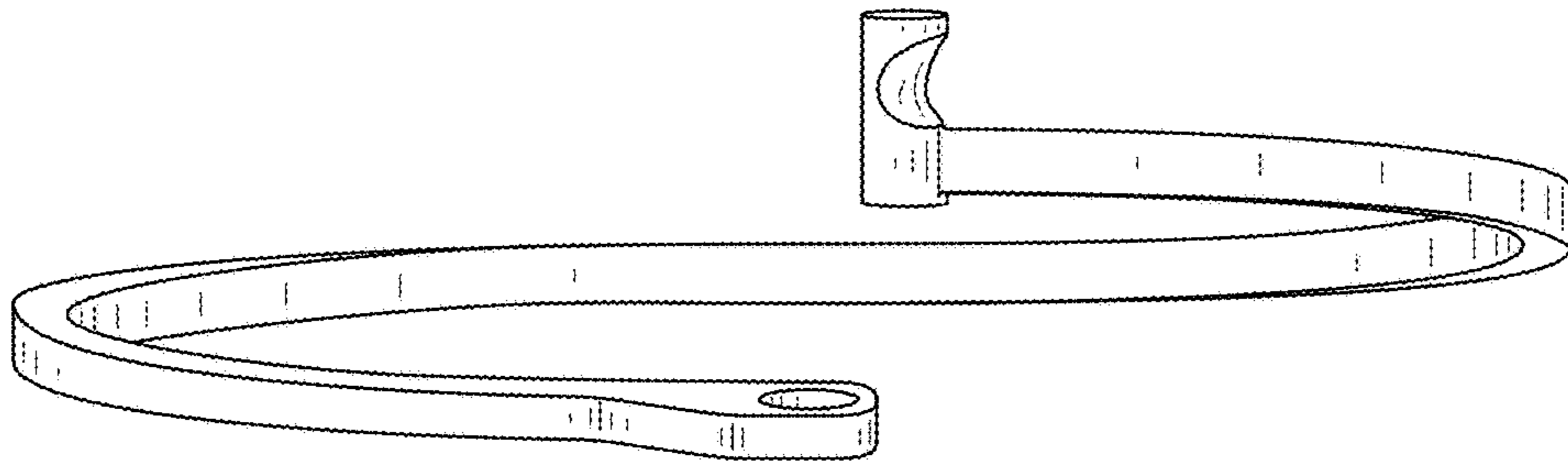


FIG. 13

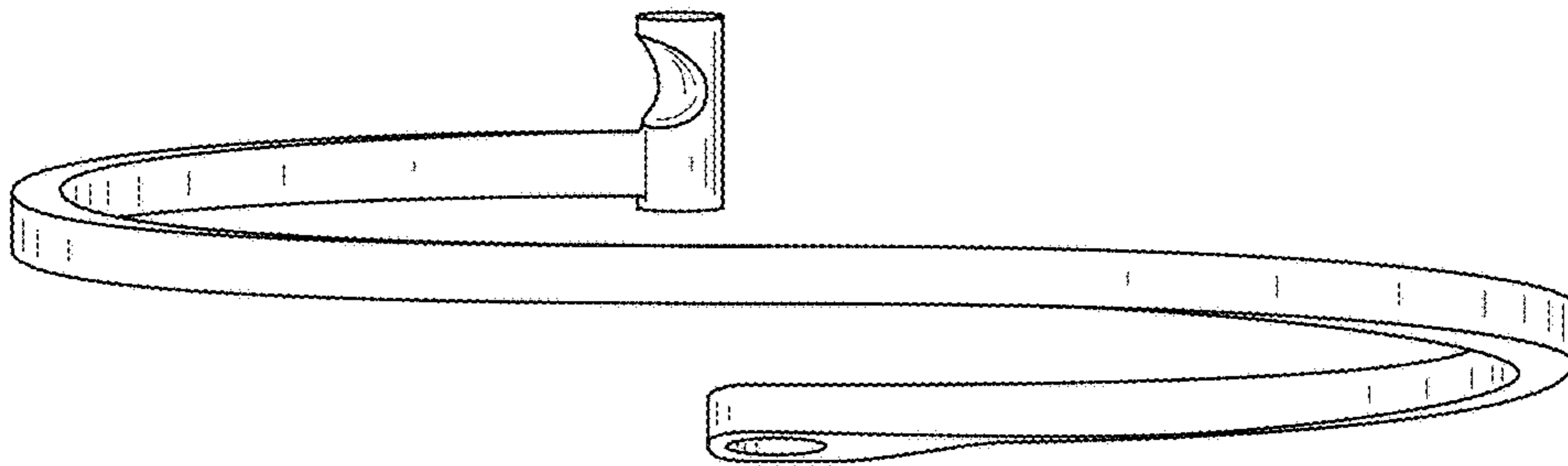


FIG. 14

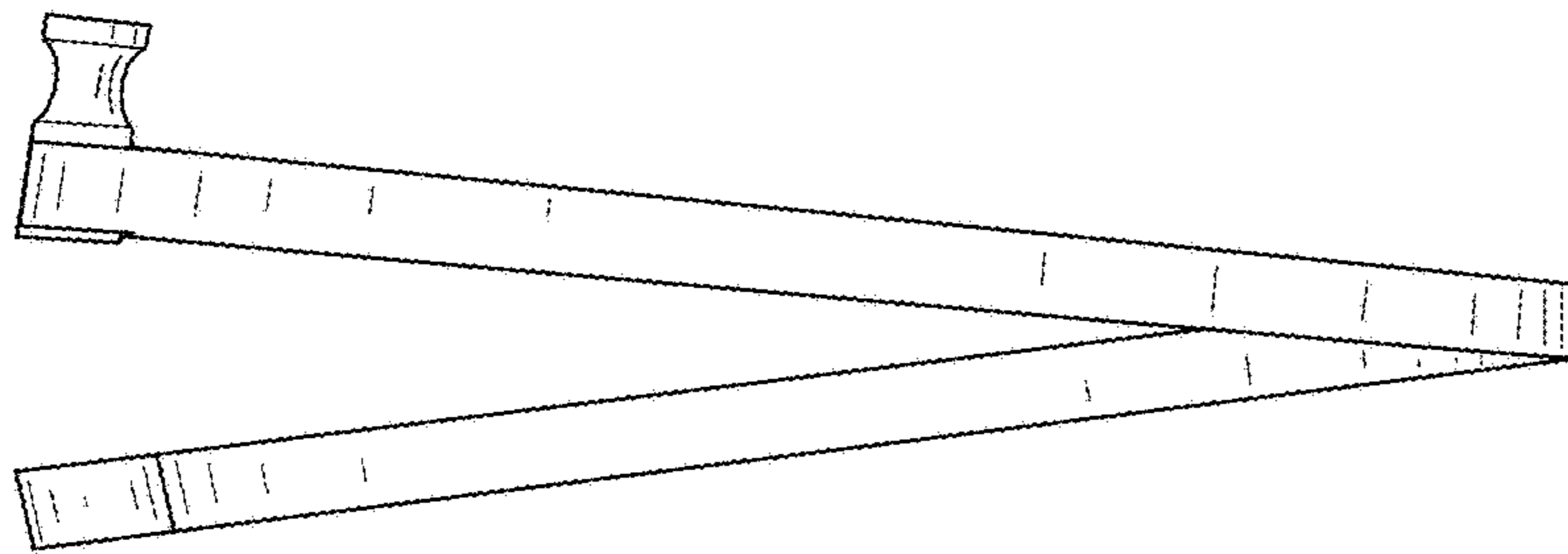


FIG. 15

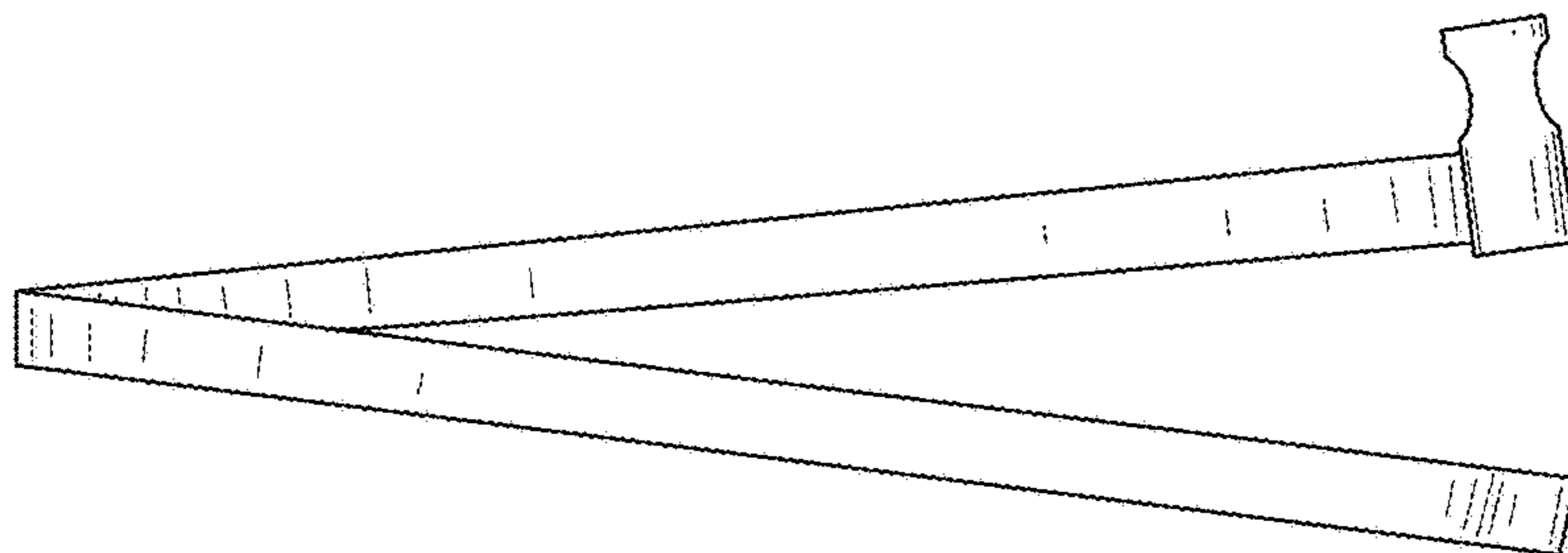


FIG. 16