



US00D827478S

(12) **United States Design Patent**  
**Samardzija**

(10) **Patent No.:** **US D827,478 S**  
(45) **Date of Patent:** **\*\* Sep. 4, 2018**

(54) **WRISTBAND**

4,312,076 A 1/1982 Gamm  
4,327,853 A 5/1982 Adams  
4,386,437 A 6/1983 Fosher

(71) Applicant: **Katarina Samardzija**, Orland Park, IL  
(US)

(Continued)

(72) Inventor: **Katarina Samardzija**, Orland Park, IL  
(US)

**OTHER PUBLICATIONS**

(\*\*) Term: **15 Years**

amazon.com, "Women's Cooling Headband with Built-In Pocket, Multii-Purpose (sic). Single Headband Without Icepack", downloaded from <http://www.amazon.com/cooling-headband-multi-purpose-single-headband-icepack/dp> . . . on Dec. 27, 2017, 1 page.

(Continued)

(21) Appl. No.: **29/594,932**

(22) Filed: **Feb. 23, 2017**

*Primary Examiner* — Cynthia Ramirez

(51) **LOC (11) Cl.** ..... **11-01**

*Assistant Examiner* — L. Martinez-Rivera

(52) **U.S. Cl.**

(74) *Attorney, Agent, or Firm* — Howard & Howard  
Attorneys PLLC

USPC ..... **D11/3**

(58) **Field of Classification Search**

(57) **CLAIM**

USPC ..... D11/1–13, 86, 93, 94; D10/30–32, 38,  
D10/40, 68, 70, 98; D14/344; D24/167;  
D3/201, 207–215, 226; D8/356

An ornamental design for a wristband, as shown and described.

CPC ..... A44C 5/00; A44C 5/0053; A44C 5/0061;  
A44C 5/0069; A44C 5/0076; A44C 5/02;  
A44C 5/022; A44C 5/025; A44C 5/027;  
A44C 5/08; A44C 5/10; A44C 5/102;  
A44C 5/105; A44C 5/107; A44C 11/00;  
A44C 11/002; A44C 11/005; A44C  
11/007; A44C 13/00; G06F 1/163; G09F  
3/005; A41D 13/08; A41D 13/081; A41D  
20/00; A41D 20/005

**DESCRIPTION**

See application file for complete search history.

FIG. 1 is a perspective view of a wristband;  
FIG. 2 is a top plan view of the wristband of FIG. 1;  
FIG. 3 is a bottom plan view of the wristband of FIG. 1;  
FIG. 4 is a front elevational view of the wristband of FIG. 1;  
FIG. 5 is a rear elevational view of the wristband of FIG. 1;  
FIG. 6 is a right side elevational view of the wristband of FIG. 1; and,  
FIG. 7 is a left side elevational view of the wristband of FIG. 1.

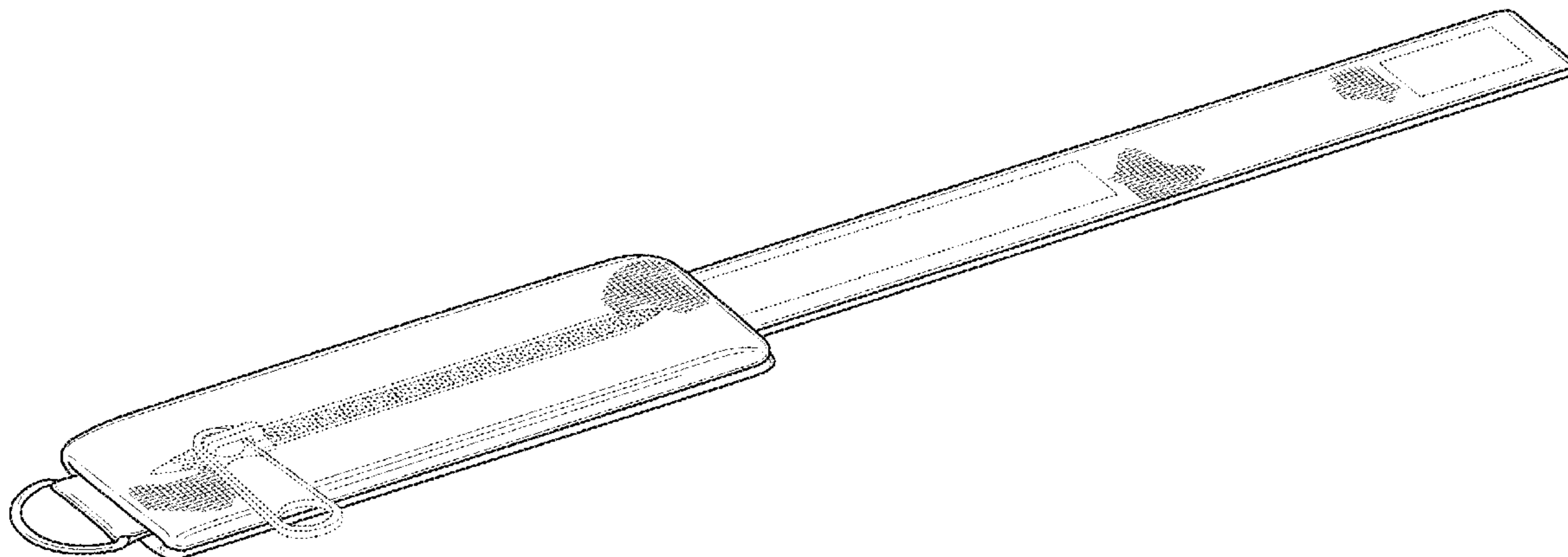
(56) **References Cited**

**U.S. PATENT DOCUMENTS**

1,445,528 A \* 2/1923 Marsh ..... A44C 5/003  
224/222  
D240,368 S \* 6/1976 Button ..... D11/3  
4,277,847 A 7/1981 Florio  
4,287,609 A \* 9/1981 Amadeo ..... A41D 13/081  
2/16

The broken lines, shown as dot-dot-dot lines, depict portions of the wristband that form no part of the claimed design. The cross-hatching shading in the figures is fragmentarily shown for convenience of illustration, it being understood that the cross-hatching shading is uniformly continued over the surface on which it appears.

**1 Claim, 3 Drawing Sheets**



(56)

References Cited

U.S. PATENT DOCUMENTS

4,462,116 A \* 7/1984 Sanzone ..... A45C 1/04  
2/160  
D283,943 S 5/1986 Rainey  
4,776,042 A 10/1988 Hanson et al.  
4,829,604 A \* 5/1989 Allen ..... A41D 13/088  
2/162  
5,244,136 A 9/1993 Collaso  
D347,733 S 6/1994 Miller  
5,341,928 A 8/1994 Jones et al.  
D365,442 S \* 12/1995 Davis ..... D11/3  
D368,231 S \* 3/1996 McFadden ..... D11/4  
5,539,929 A 7/1996 Revson  
5,558,440 A 9/1996 Miller  
D383,993 S \* 9/1997 Kalbach ..... D11/3  
5,671,481 A 9/1997 Giard  
D390,492 S \* 2/1998 Riley ..... D11/5  
D390,800 S \* 2/1998 Yamamoto ..... D10/32  
D391,866 S \* 3/1998 Brzezinski ..... D10/30  
D391,883 S \* 3/1998 Close ..... D11/3  
5,820,000 A 10/1998 Timberlake et al.  
6,016,772 A 1/2000 Noyes  
6,227,424 B1 5/2001 Roegner  
6,443,341 B1 9/2002 Rittmann  
D469,030 S \* 1/2003 Krakoff ..... D11/5  
6,802,279 B1 \* 10/2004 Johnson ..... G09F 11/23  
40/633  
6,826,779 B1 \* 12/2004 McKenzie ..... A41D 13/08  
2/16  
D507,103 S 7/2005 Charles, Jr.  
D512,832 S 12/2005 Charles, Jr.  
7,131,167 B2 11/2006 Stagnaro  
D565,828 S 4/2008 Page  
7,393,336 B2 7/2008 Sloop  
D612,150 S 3/2010 Overton  
D618,907 S 7/2010 Overton  
7,918,045 B2 4/2011 Riley  
D653,148 S \* 1/2012 Bekker ..... D11/3  
8,104,654 B2 1/2012 Overton  
8,132,601 B2 3/2012 Wang  
8,141,757 B2 3/2012 Headley  
D691,795 S 10/2013 Do  
D692,655 S 11/2013 Perrea et al.  
D693,720 S \* 11/2013 O'Malley ..... D11/3  
D703,755 S \* 4/2014 Joseph ..... D11/3

D706,532 S 6/2014 Wilbur  
D707,296 S \* 6/2014 Joseph ..... D11/3  
D712,296 S \* 9/2014 Miller ..... D11/5  
9,101,195 B2 \* 8/2015 Owoc ..... A41D 20/00  
D783,273 S \* 4/2017 Kanner ..... D3/226  
D789,683 S \* 6/2017 Bartlett ..... D3/226  
D790,382 S \* 6/2017 Sasson ..... D11/3  
D794,490 S \* 8/2017 Lindgren ..... D11/3  
D799,814 S 10/2017 Reed  
D800,007 S \* 10/2017 Tibi ..... D11/3  
2003/0172436 A1 9/2003 Thompson  
2005/0177925 A1 \* 8/2005 Peebles ..... A41D 23/00  
2/321  
2006/0010578 A1 1/2006 Kane  
2006/0266776 A1 11/2006 Plakke  
2008/0217369 A1 9/2008 Sloop  
2009/0064393 A1 3/2009 Lambertz  
2010/0242860 A1 \* 9/2010 Chaffin ..... G09F 3/005  
40/649  
2013/0174320 A1 7/2013 Moye  
2014/0110445 A1 4/2014 Eisner  
2014/0130234 A1 \* 5/2014 King ..... A41D 20/00  
2/170  
2014/0311512 A1 \* 10/2014 Owoc ..... A41D 20/00  
132/200  
2015/0074869 A1 3/2015 Klas  
2015/0374104 A1 12/2015 Parker  
2017/0112103 A1 4/2017 Iles et al.  
2017/0156918 A1 6/2017 Schertiger et al.

OTHER PUBLICATIONS

amazon.com, "Wrist Wallet", downloaded from <https://www.amazon.com/Fitkicks-AMK12104312000-Wrist-Wallet/dp/B014LHXHHK/> . . . on Dec. 27, 2017, 1 page.  
amazon.com, "Solid Color/Wrist Wallet", downloaded from <https://www.amazon.com/HOTER-Sports-Wristband-Zipper-Wallet/dp/B071ZBYCDD/r> . . . on Dec. 27, 2017, 1 page.  
amazon.com, "Multi-Colored Sweatband/Colored Zipper", downloaded from <https://www.amazon.com/MEMO-Athletics-Multi-Colored-Sweatband-Wristband/dp/B0> . . . on Dec. 27, 2017, 1 page.  
Bandi Wear, "Band-Pocketed Headbands", downloaded from <https://bandiwear.com/collections/pocketed-headbands> on Dec. 27, 2017, 1 page.

\* cited by examiner

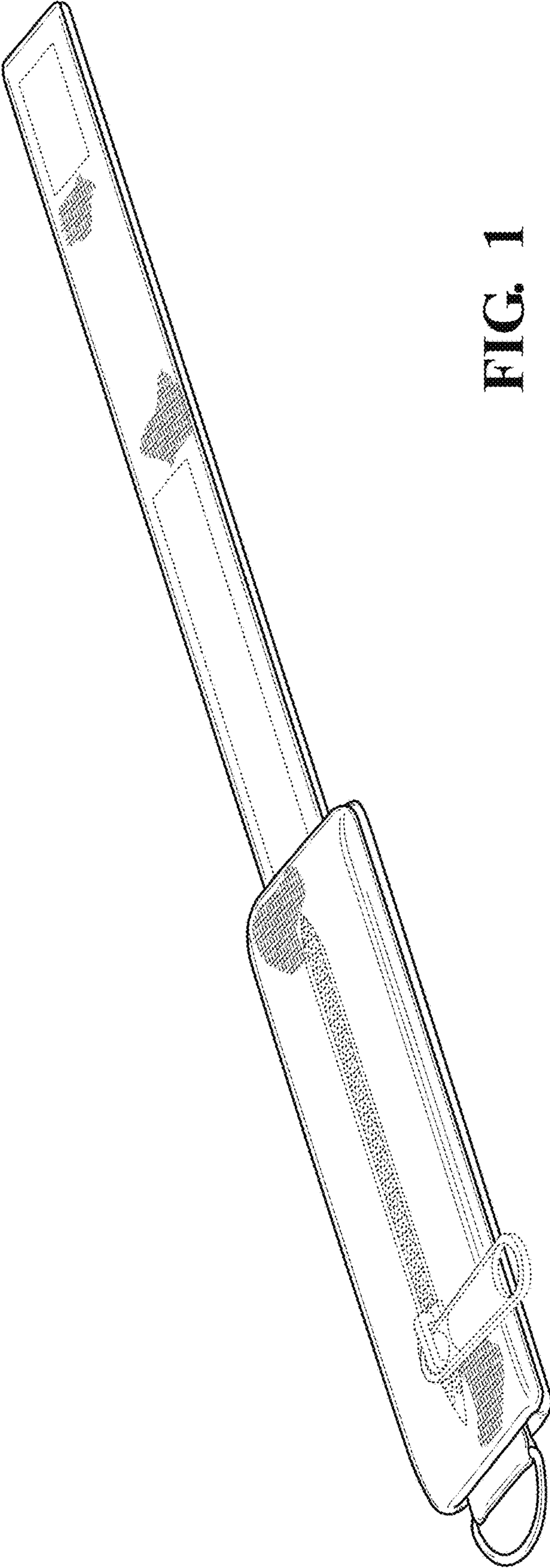
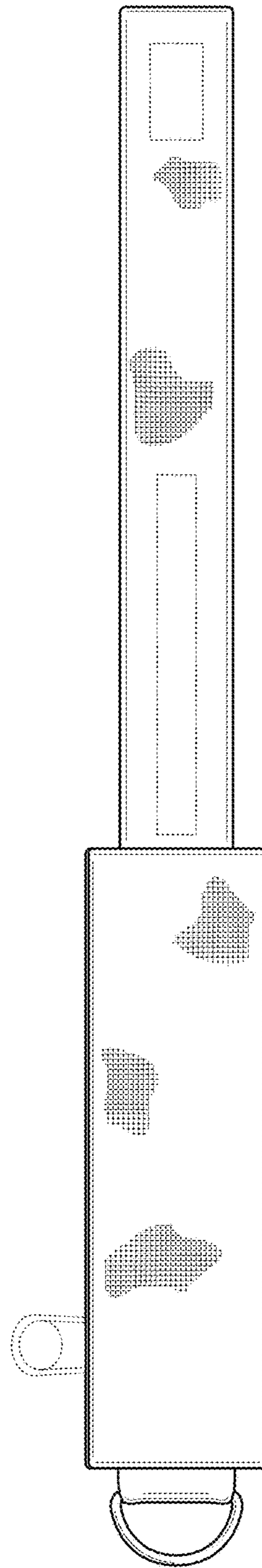
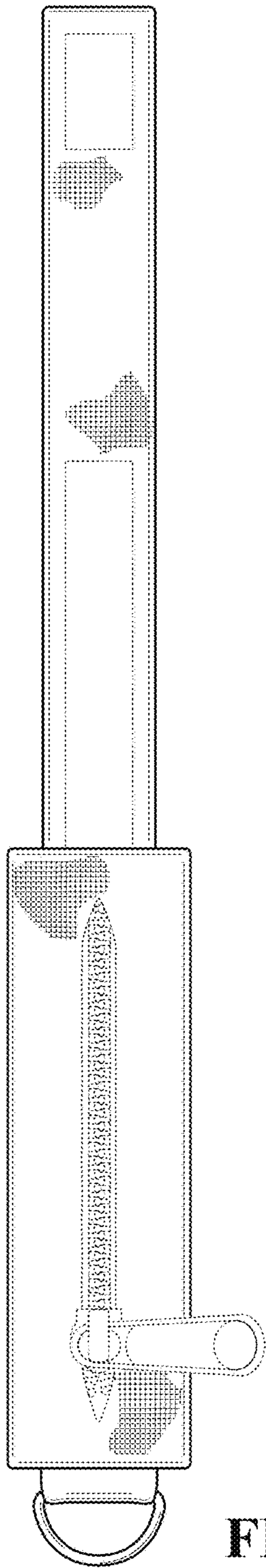


FIG. 1



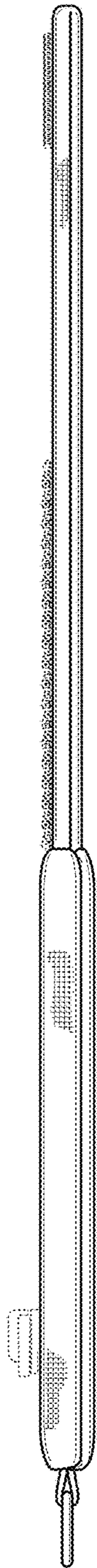


FIG. 4

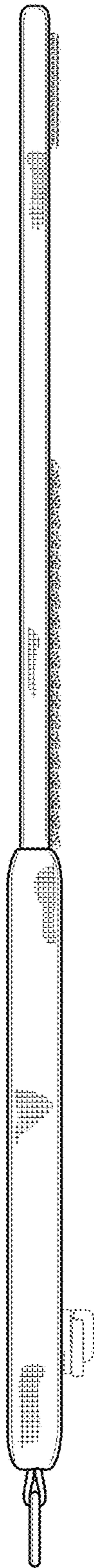


FIG. 5

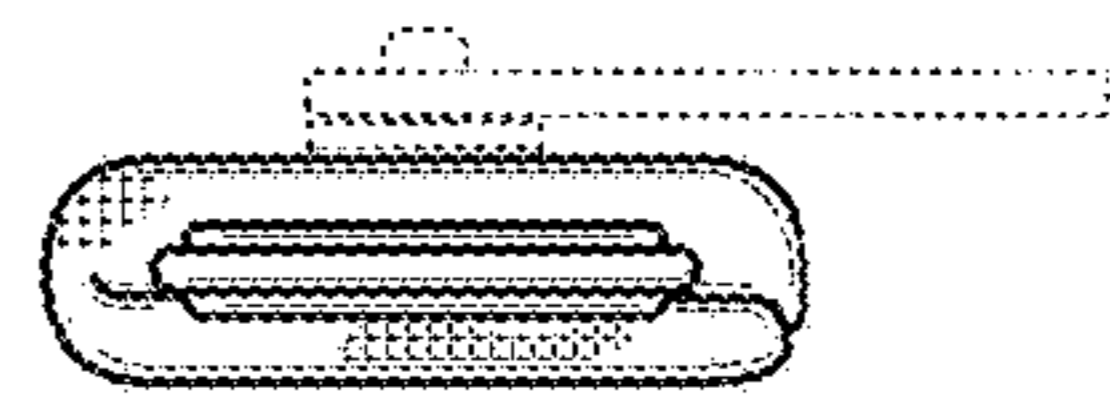


FIG. 6

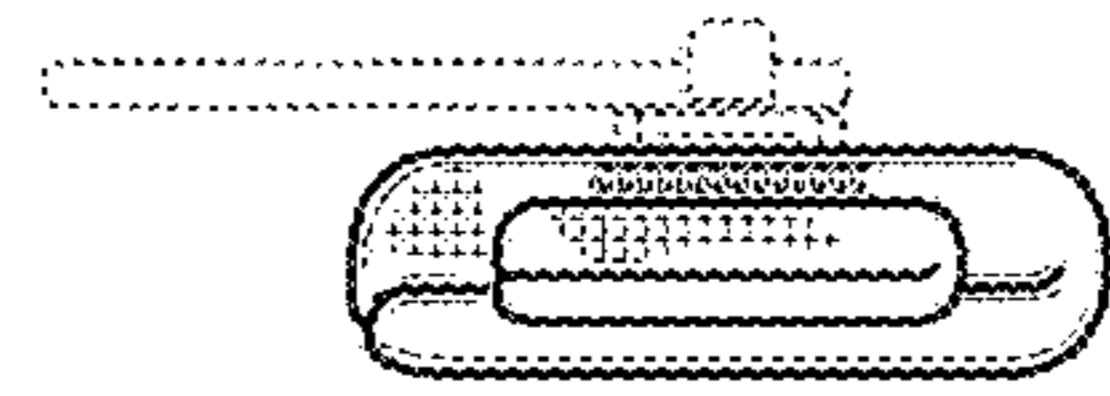


FIG. 7