



US00D827474S

(12) **United States Design Patent**
Monachon

(10) **Patent No.:** **US D827,474 S**
(45) **Date of Patent:** **** Sep. 4, 2018**

- (54) **DIAL**
- (71) Applicant: **OMEGA LTD.**, Biel/Bienne (CH)
- (72) Inventor: **Jean-Claude Monachon**, Bevaix (CH)
- (73) Assignee: **OMEGA LTD.**, Biel/Bienne (CH)
- (**) Term: **15 Years**

- D473,475 S * 4/2003 Baumann D10/32
- D526,232 S * 8/2006 Calvani D10/126
- D527,668 S * 9/2006 Calvani D10/126
- D536,994 S * 2/2007 Sugisawa A61C 17/221
D10/31
- D539,688 S * 4/2007 Bolt D10/126

(Continued)

- (21) Appl. No.: **29/606,430**
- (22) Filed: **Jun. 5, 2017**

(30) **Foreign Application Priority Data**

- Dec. 5, 2016 (EM) DM093755
- (51) **LOC (11) Cl.** **10-07**
- (52) **U.S. Cl.**
USPC **D10/126**
- (58) **Field of Classification Search**
USPC D10/1-2, 6-10, 14-15, 22, 30-39, 65,
D10/70, 97-98, 122-126, 128; D14/344;
D24/167, 186
CPC G04B 19/00; G04B 19/025; G04B 19/04;
G04B 19/046; G04B 19/048; G04B
19/06; G04B 19/08; G04B 19/085; G04B
19/087; G04B 45/0069; G04B 45/0076;
G04B 19/065; G04B 19/082; G04B
19/10; G04B 19/103; G04B 19/106;
G04B 19/12; G04B 19/16; G04B 19/163;
G04B 19/166; G04B 19/18; G04B 19/22;
G04B 19/223; G04B 19/225; G04B
19/226; G04B 19/228; G04B 27/00;
G04B 27/06

See application file for complete search history.

(56) **References Cited**

U.S. PATENT DOCUMENTS

- 181,001 A * 8/1876 Henderson G04B 19/06
368/232
- D459,242 S * 6/2002 Wunderman D10/32

OTHER PUBLICATIONS

Omega Speedmaster 38mm | posted at ablogtowatch.com Mar. 2017
© 2007-2018 aBlogtoWatch [online][site visited Feb. 28, 2018].
Available from Internet: <<https://www.ablogtowatch.com/omega-speedmaster-38mm-watches-2017/>> (Year: 2017).*

(Continued)

Primary Examiner — Shannon W Morgan
Assistant Examiner — Katherine Glennon
(74) *Attorney, Agent, or Firm* — Abelman, Frayne & Schwab

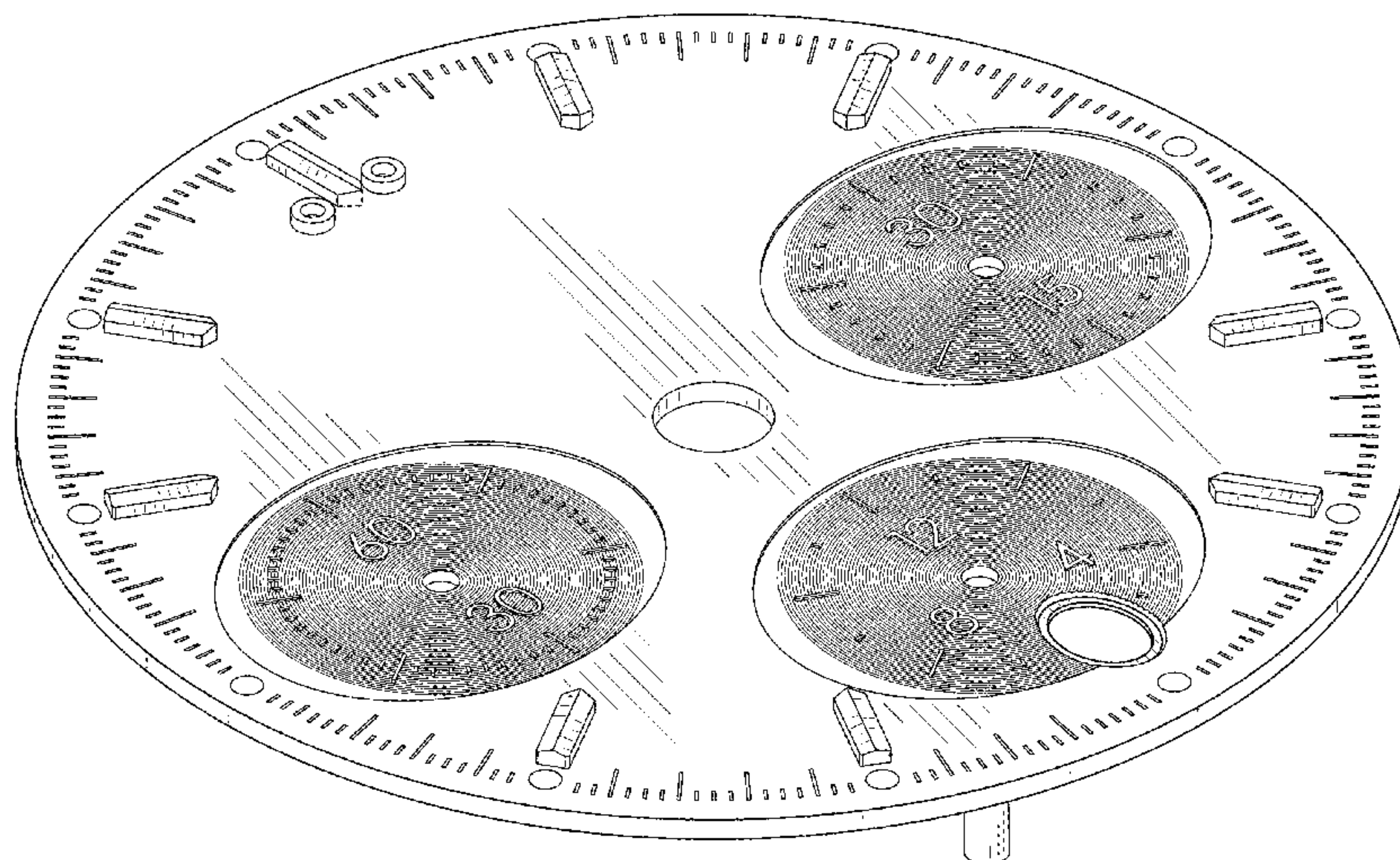
(57) **CLAIM**

The ornamental design for a dial, as shown.

DESCRIPTION

FIG. 1 is a front left perspective view of a dial showing my new design;
FIG. 2 is a front view thereof;
FIG. 3 is a rear view thereof;
FIG. 4 is a left side view thereof;
FIG. 5 is a right side view thereof;
FIG. 6 is a top view thereof;
FIG. 7 is a bottom view thereof;
FIG. 8 is a rear right perspective view thereof;
FIG. 9 is a detail of the left upper sub-dial shown on FIG. 2;
FIG. 10 is a detail of the right upper sub-dial shown on FIG. 2; and,
FIG. 11 is a detail of the lower sub-dial shown on FIG. 2.

1 Claim, 7 Drawing Sheets



(56)

References Cited

U.S. PATENT DOCUMENTS

D540,195 S * 4/2007 Nussbaumer D10/31
D545,695 S * 7/2007 Laucella D10/31
D554,535 S * 11/2007 Journe D10/31
D584,644 S * 1/2009 De Givenchy G04B 19/10
D10/39
7,751,608 B2 * 7/2010 Hersch G07D 7/207
283/94
7,992,710 B2 * 8/2011 Jimenez A61C 17/221
206/362.2
D673,867 S * 1/2013 Oliveira D10/32
D708,964 S * 7/2014 Cerrato D10/126
D759,510 S * 6/2016 Belamich D10/126
D795,118 S * 8/2017 Monachon G04B 19/06
D10/126
D806,597 S * 1/2018 Michele D10/126
2007/0041611 A1 * 2/2007 Hersch G04B 19/10
382/100

OTHER PUBLICATIONS

Omega DeVille CoAxial Chronograph | posted at tourneau.com No posting date; model c. 2012 © 2018, Tourneau, LLC. [online][site visited Feb. 28, 2018]. Available from Internet: <<http://www.tourneau.com/watches/pre-owned-omega/de-ville-co-axial-chronograph-rose-gold-automatic-4677.60.37-OMG6600513.html>> (Year: 2012).*

Cartier Pasha 2111 | posted at secondtimearoundwatchco.com n.d. C.2000 [online][site visited Mar. 13, 2018]. Available from Internet: <<http://www.secondtimearoundwatchco.com/watches-for-sale/cartier/pasha/9918>> (Year: 2000).*

Cartier Pasha Chronograph 38mm | ebay.ca c.1990s © 1995-2018 eBay Inc. [online][site visited Feb. 28, 2018]. Available from Internet: <[https://www.ebay.ca/itm/Cartier-Pasha-Chronograph-W31004H3-Quartz-38mm-Stainless-Steel-2YrWarranty-351/201916871628?trkparms=aid%3D222007%26algo%3DSIM.MBE%26ao%3D1%](https://www.ebay.ca/itm/Cartier-Pasha-Chronograph-W31004H3-Quartz-38mm-Stainless-Steel-2YrWarranty-351/201916871628?trkparms=aid%3D222007%26algo%3DSIM.MBE%26ao%3D1%26)> (Year: 1990).*

* cited by examiner

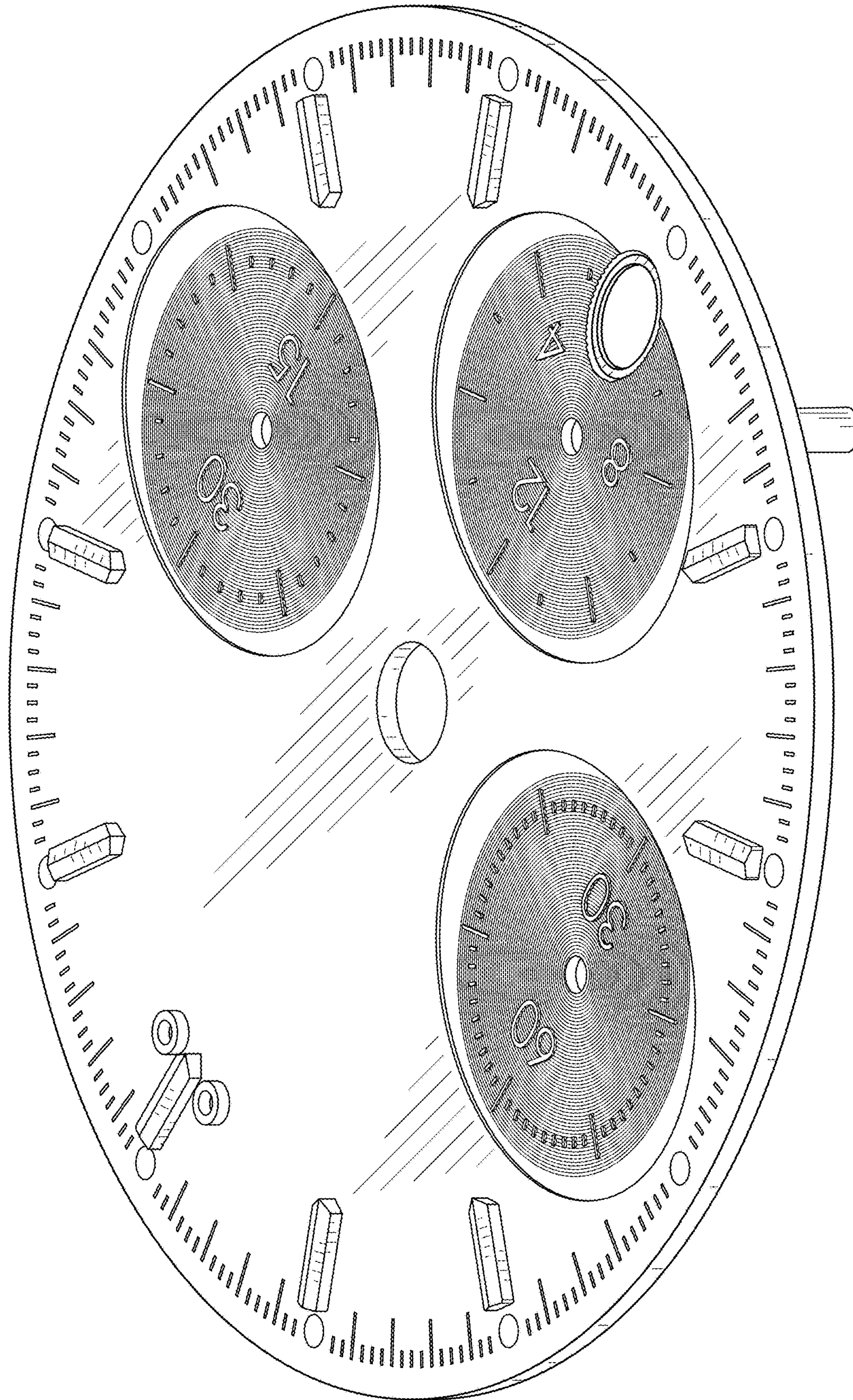


FIG. 1

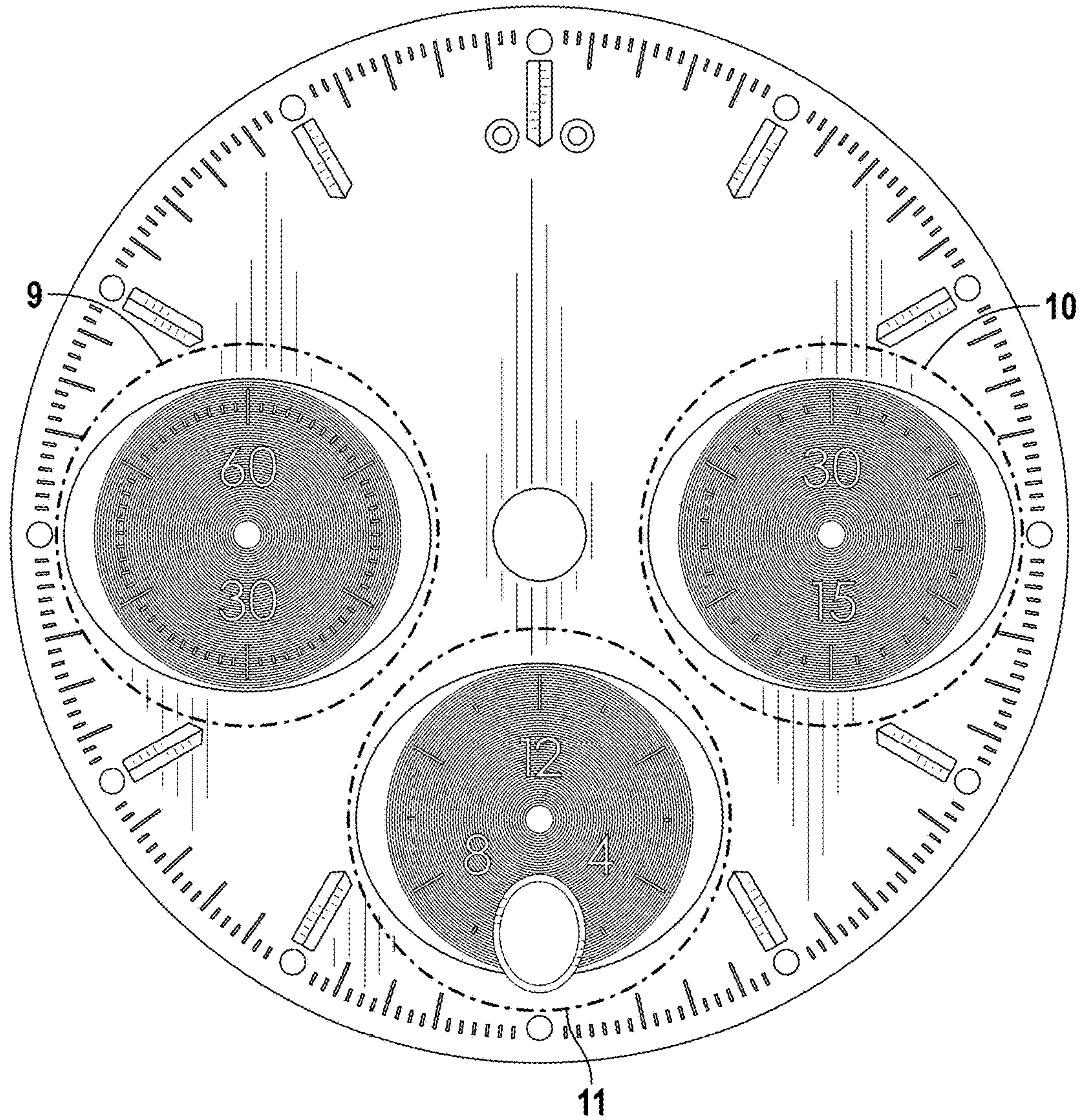


FIG. 2

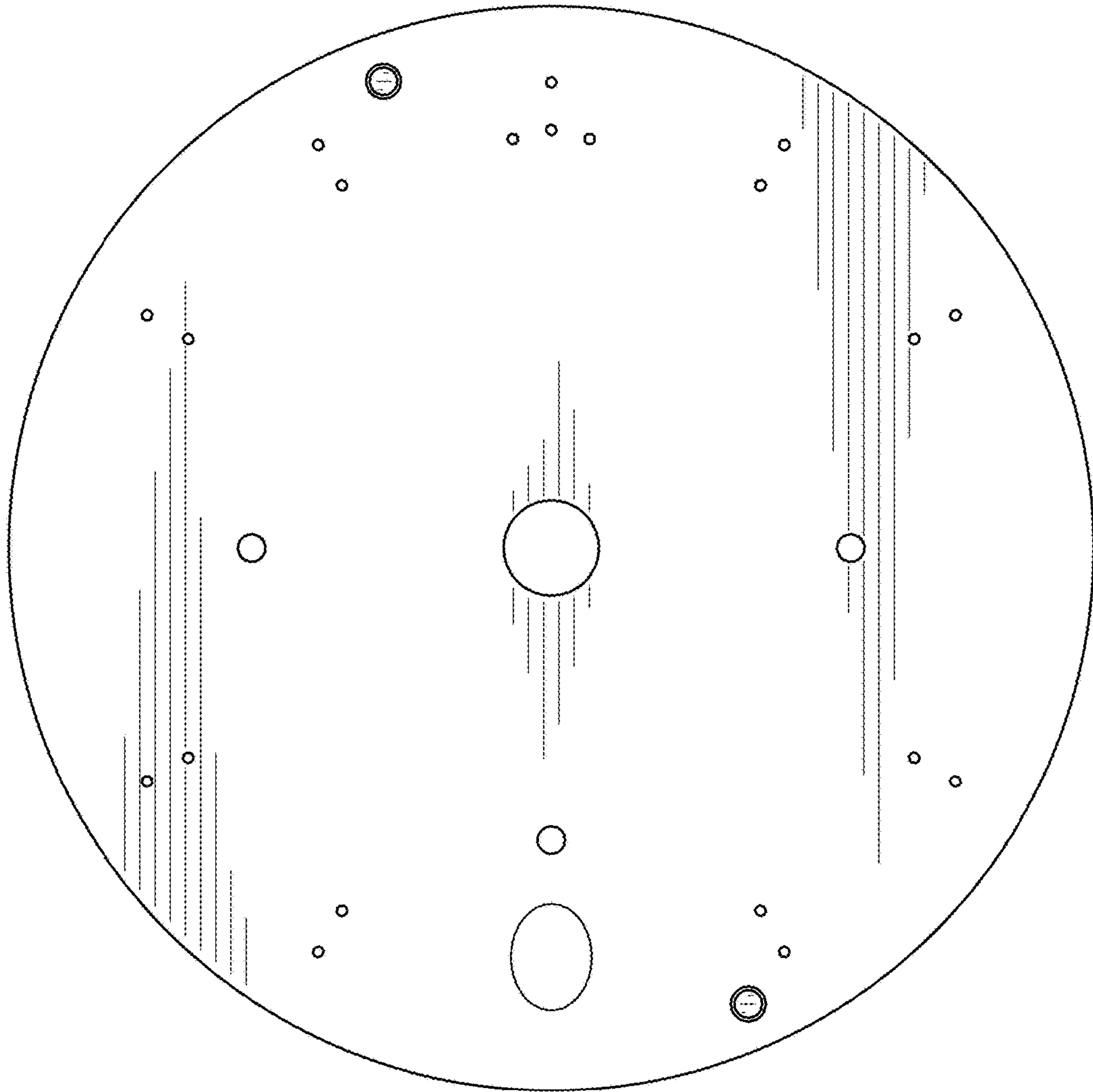


FIG. 3

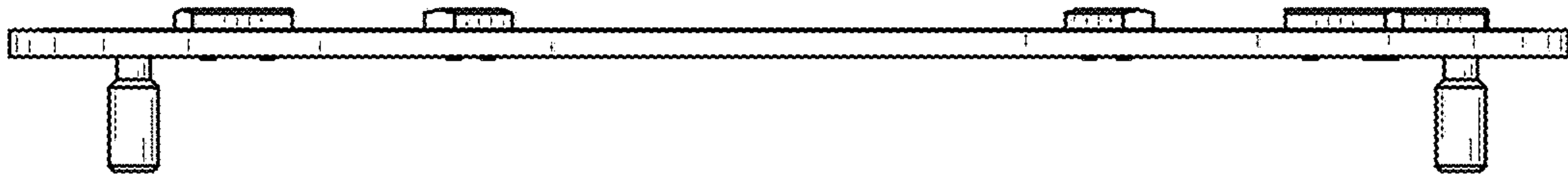


FIG. 4

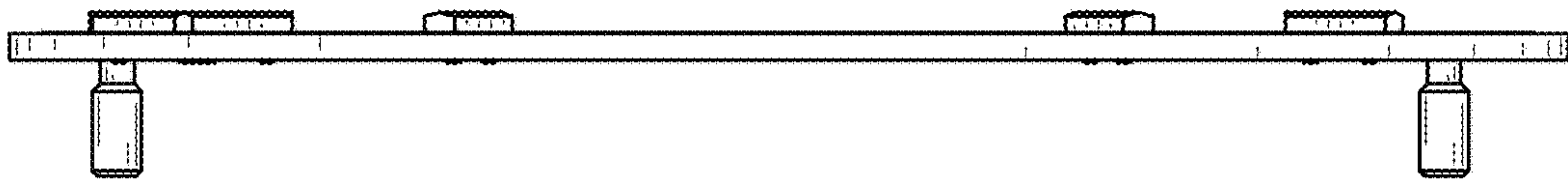


FIG. 5

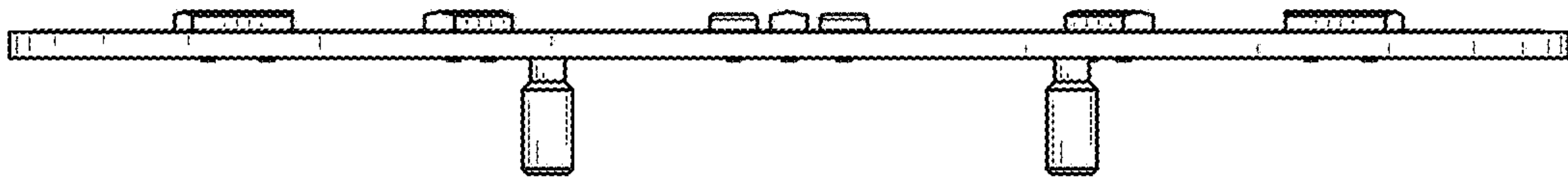


FIG. 6

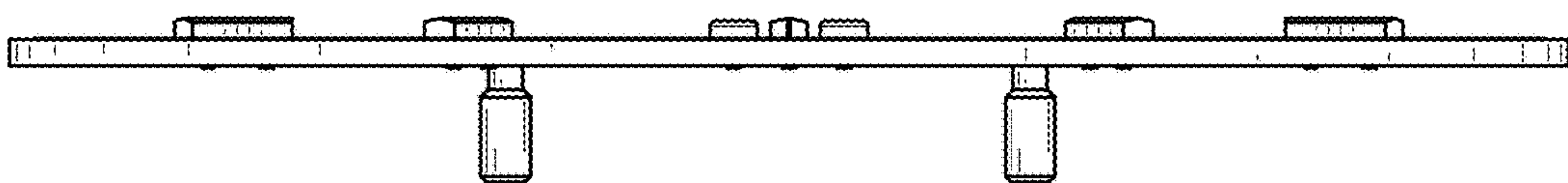


FIG. 7

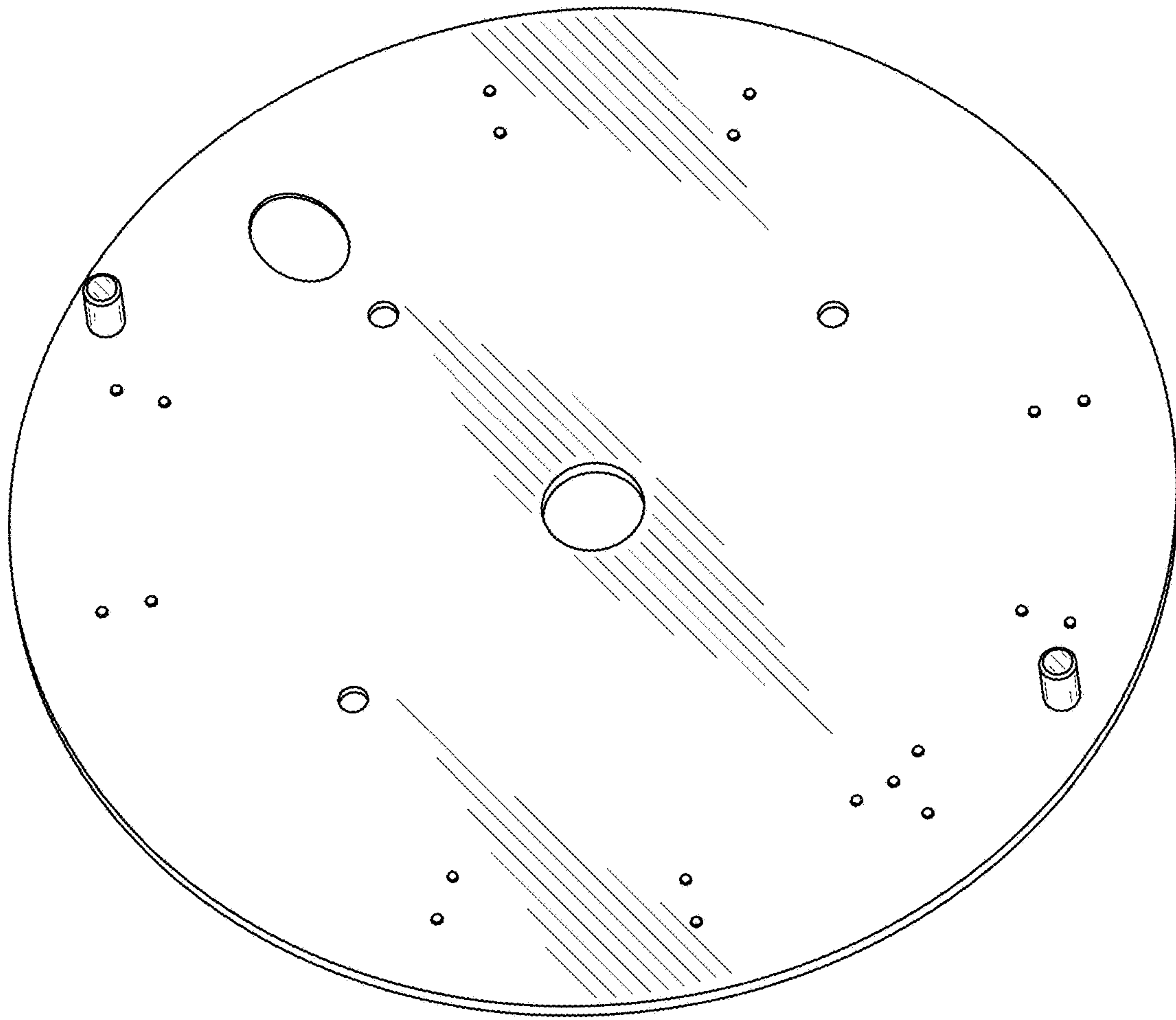


FIG. 8

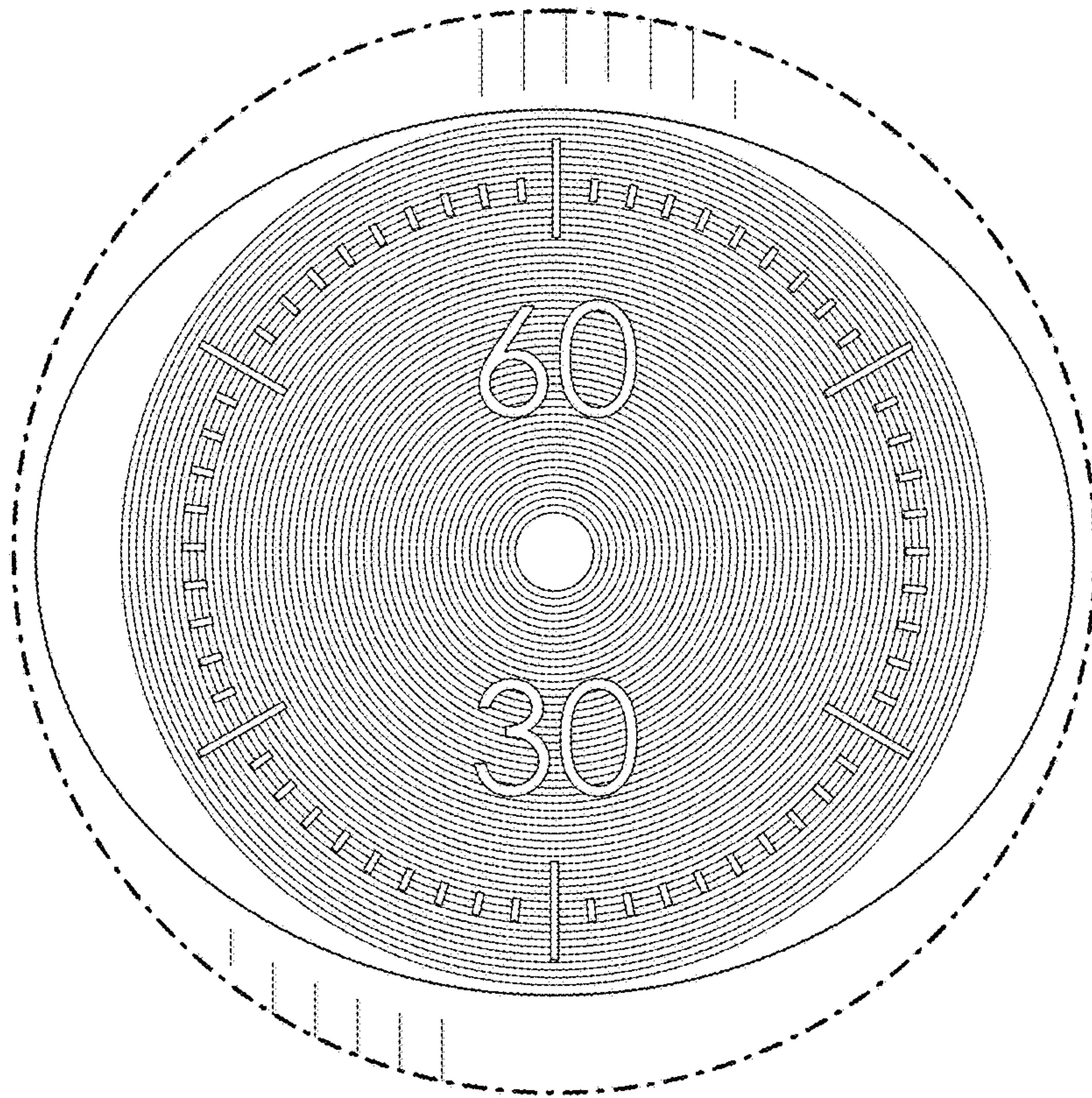


FIG. 9

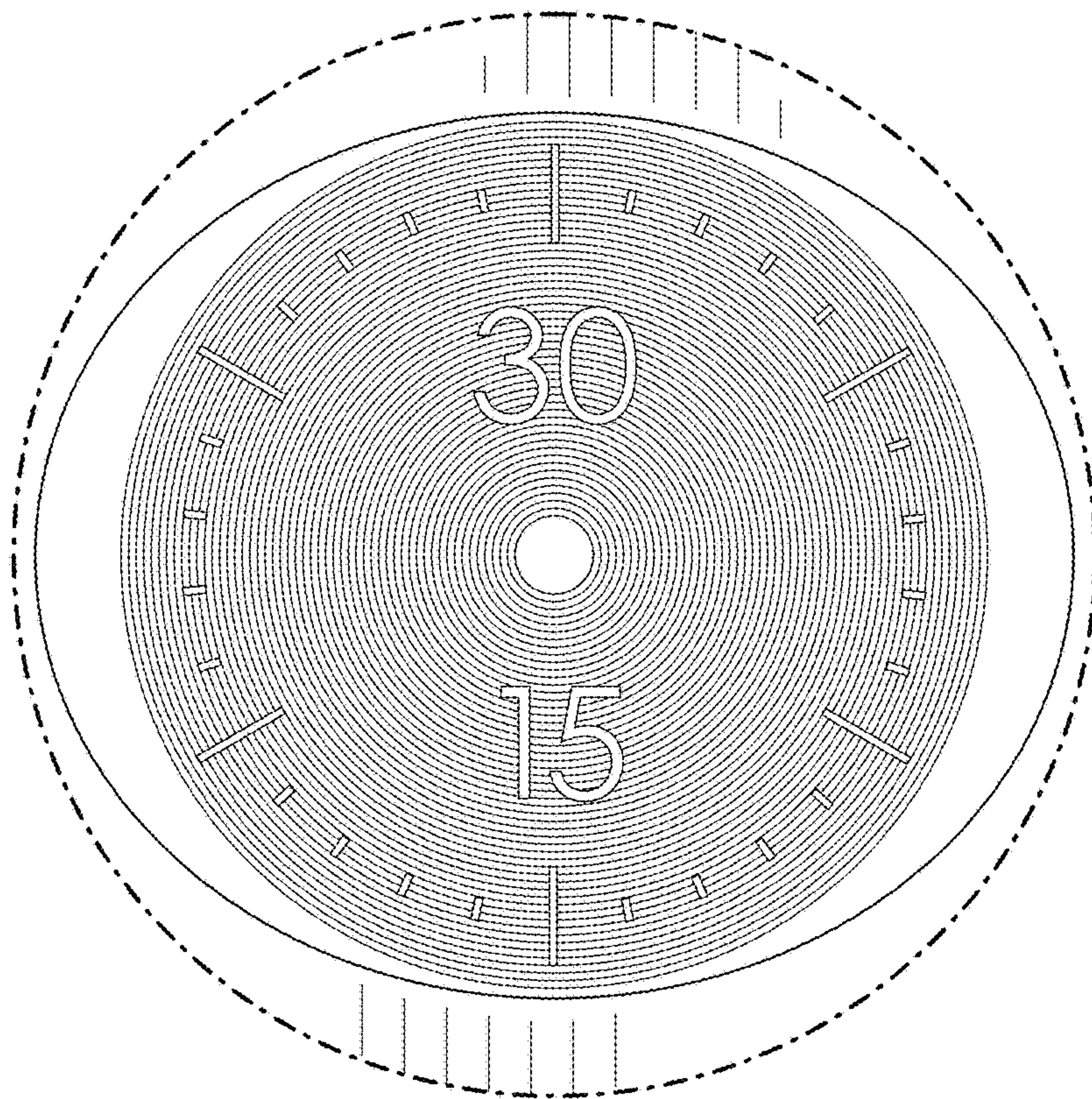


FIG. 10

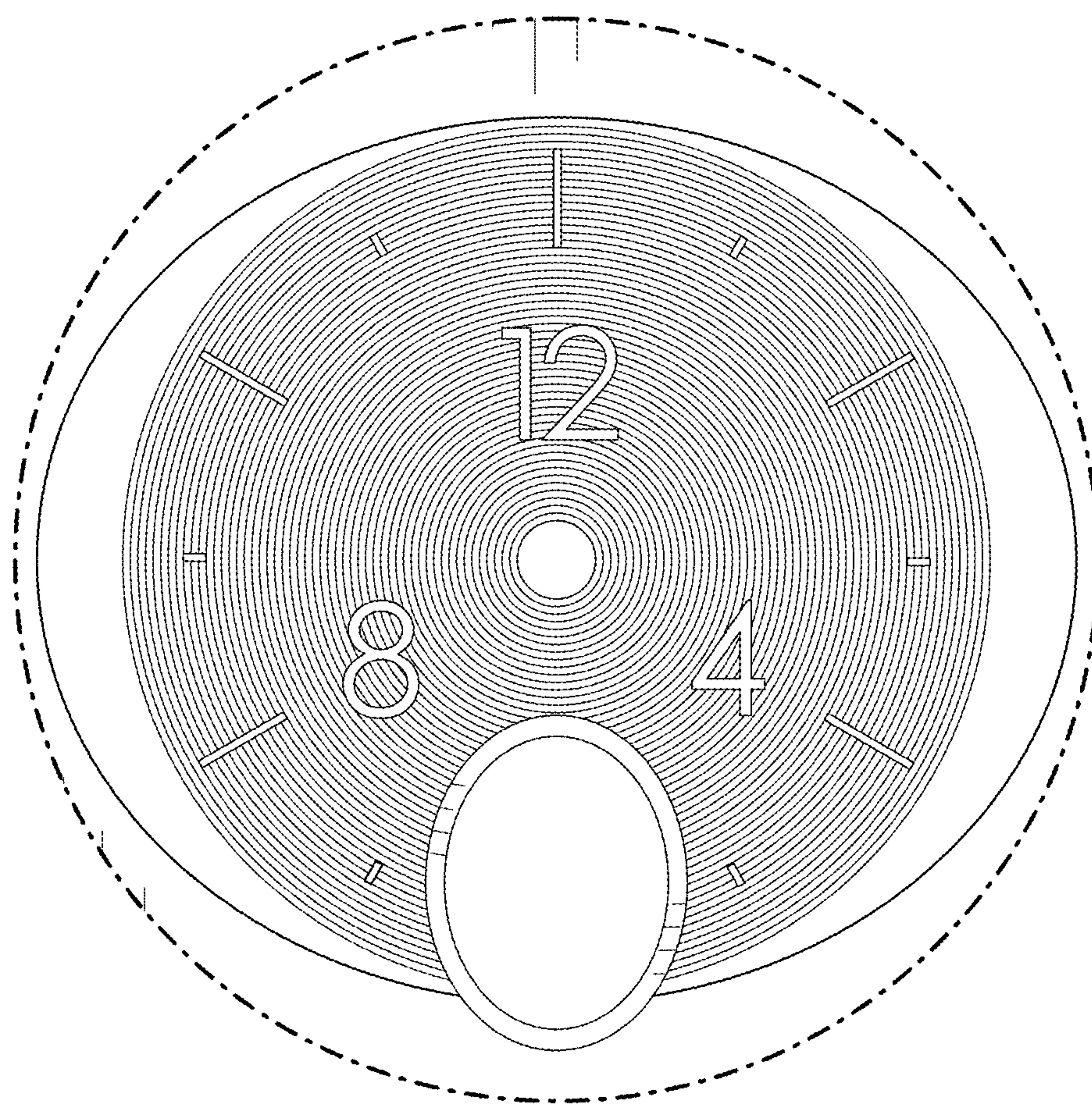


FIG. 11