



US00D827473S

(12) **United States Design Patent**  
**Newson**

(10) **Patent No.:** **US D827,473 S**  
(45) **Date of Patent:** **\*\* Sep. 4, 2018**

(54) **SAND CLEPSYDRA**

(71) Applicant: **HG TIMEPIECE SA**, Genève (CH)

(72) Inventor: **Marc Newson**, Monaco (MC)

(\*\*) Term: **15 Years**

(21) Appl. No.: **35/502,676**

(22) Filed: **Mar. 7, 2017**

(80) **Hague Agreement Data**

Int. Filing Date: **Mar. 7, 2017**

Int. Reg. No.: **DM/095175**

Int. Reg. Date: **Mar. 7, 2017**

Int. Reg. Pub. Date: **Mar. 24, 2017**

(51) **LOC (11) Cl.** ..... **10-07**

(52) **U.S. Cl.**

USPC ..... **D10/124**

(58) **Field of Classification Search**

USPC ..... D10/22, 124, 1, 2

CPC ..... G09F 19/12

See application file for complete search history.

(56) **References Cited**

U.S. PATENT DOCUMENTS

5,378,513 A \* 1/1995 Lee ..... G09F 19/12  
40/409  
D605,543 S \* 12/2009 Juraschek ..... D10/124  
D734,172 S \* 7/2015 Nishi ..... D10/124  
D809,937 S \* 2/2018 Nishi ..... D10/22

\* cited by examiner

*Primary Examiner* — George D. Kirschbaum

(57) **CLAIM**

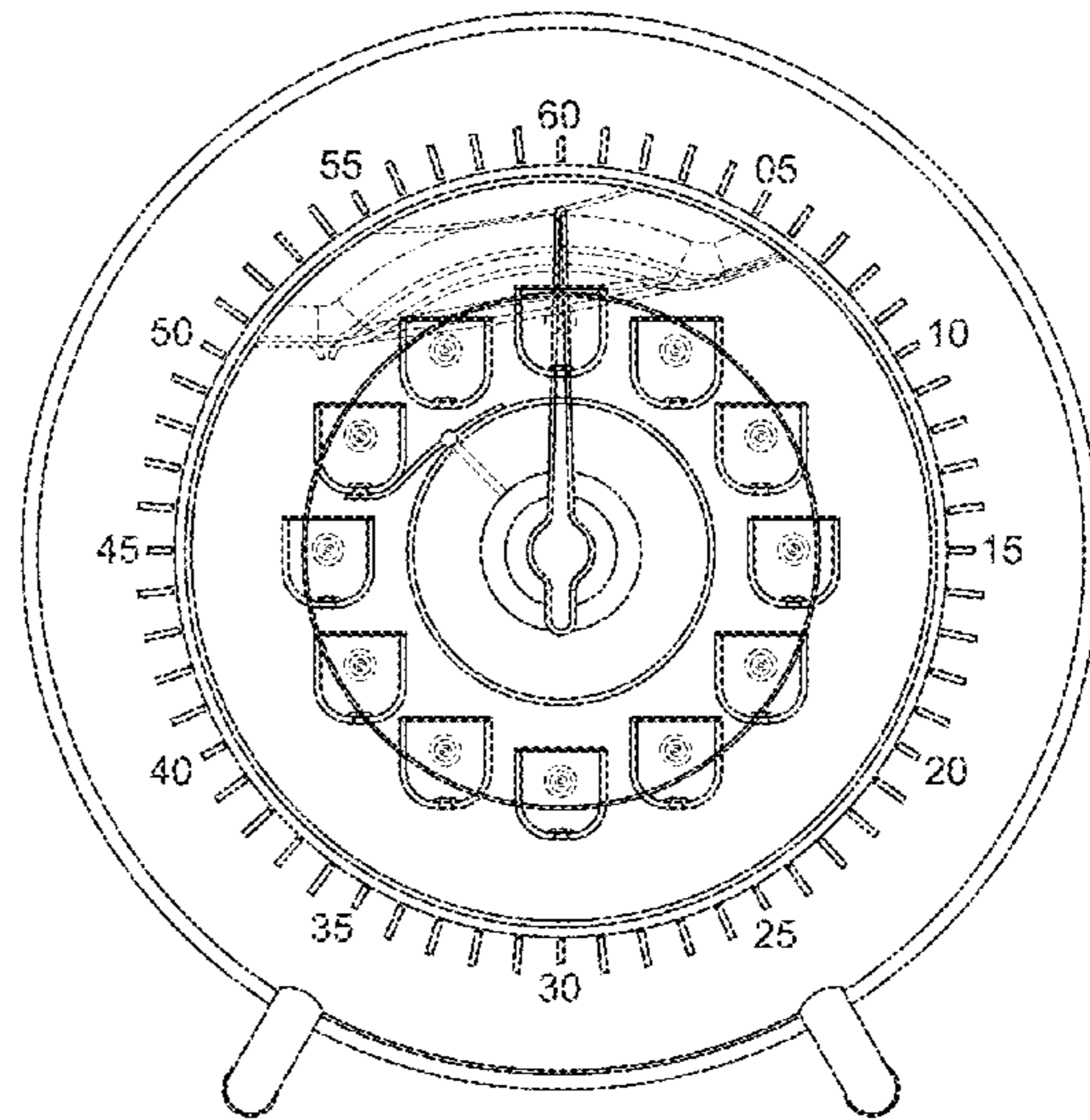
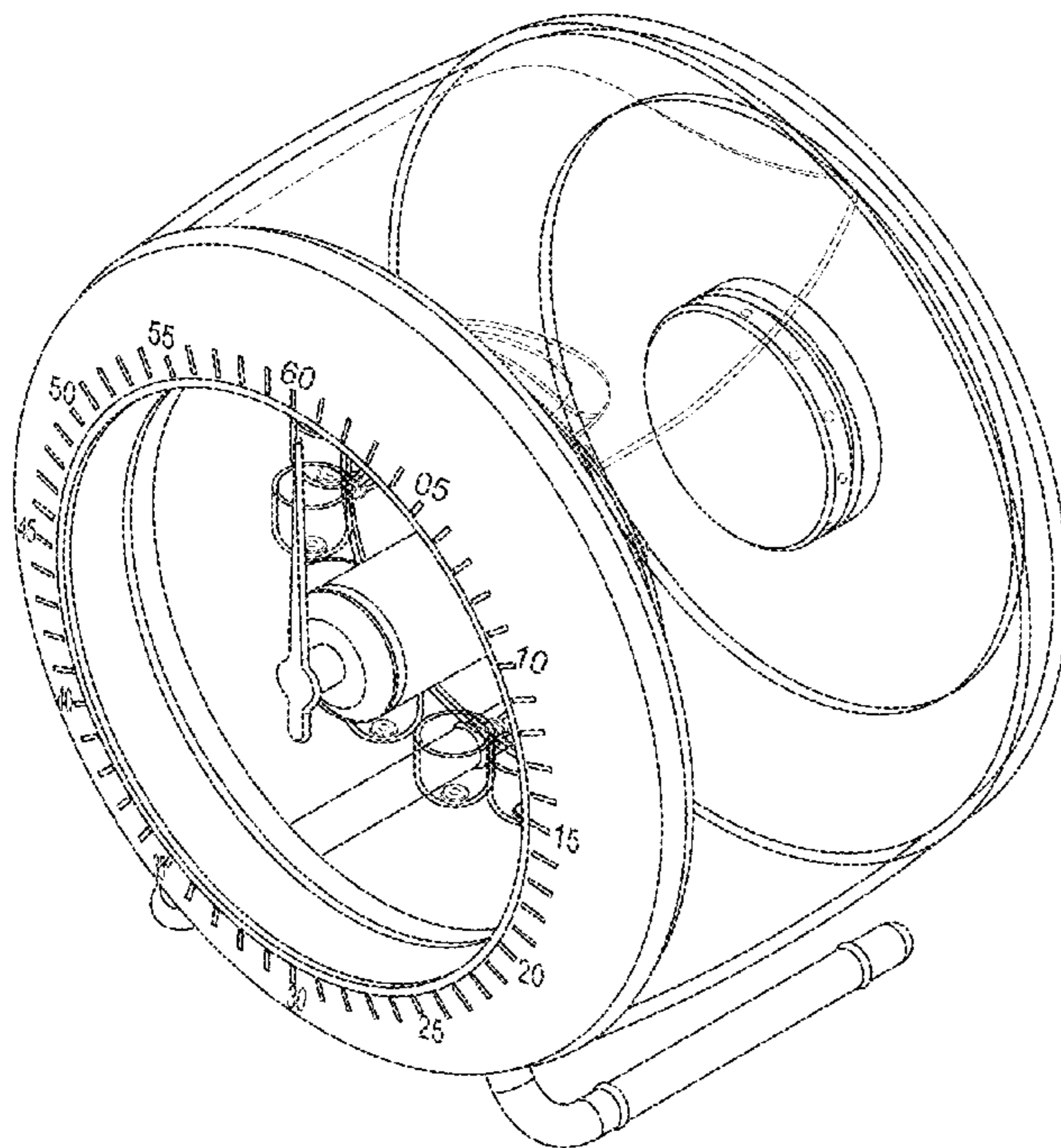
The ornamental design for a sand clepsydra, as shown and described.

**DESCRIPTION**

- 1. Sand clepsydra
- 1.1 is a top view.
- 1.2 is a front view.
- 1.3 is a bottom view.
- 1.4 is a right view.
- 1.5 is a left view.
- 1.6 is a back view.
- 1.7 is a front perspective view.

The broken lines depict unclaimed environmental subject matter.

**1 Claim, 7 Drawing Sheets**



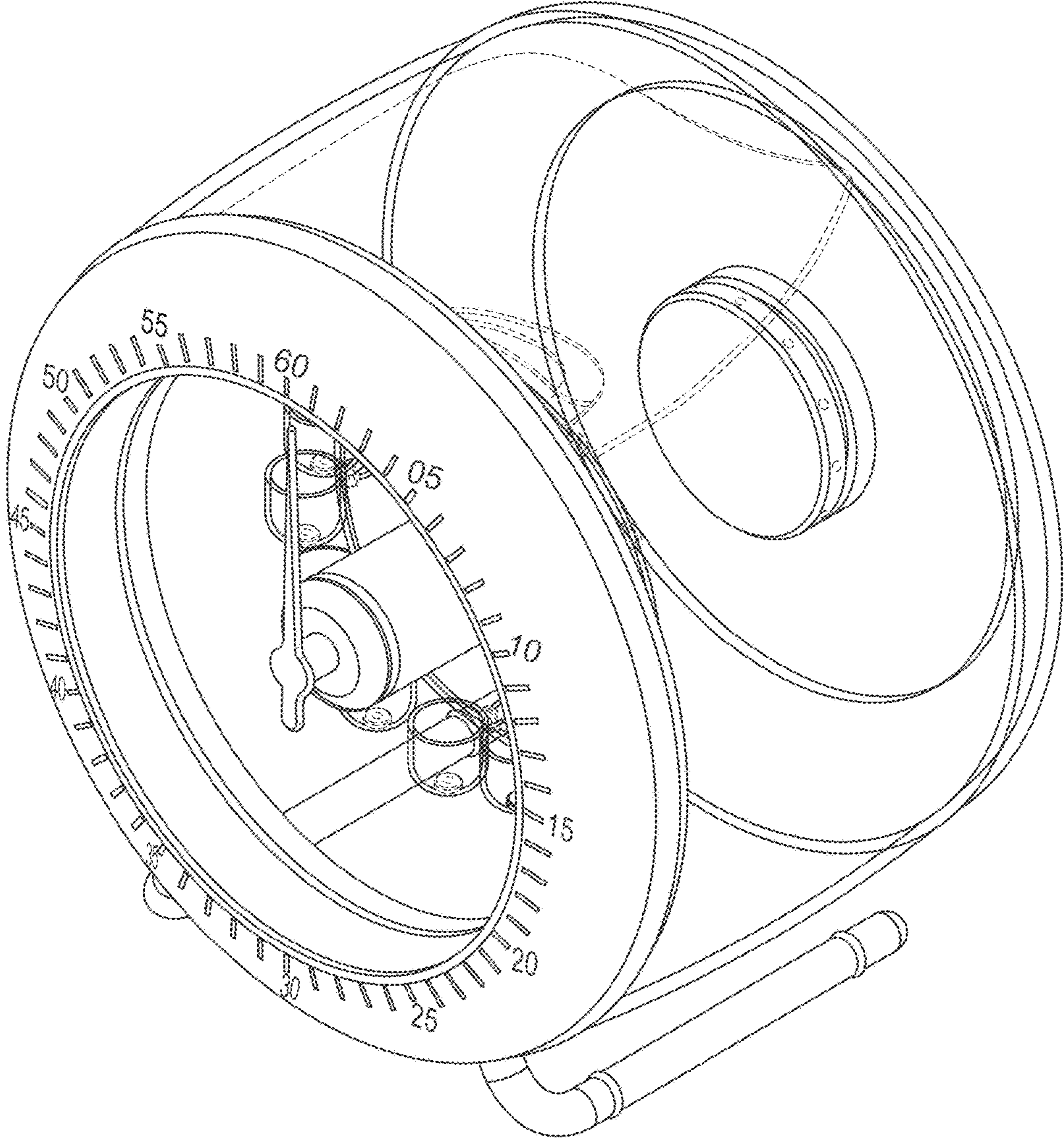


FIG. 1.1

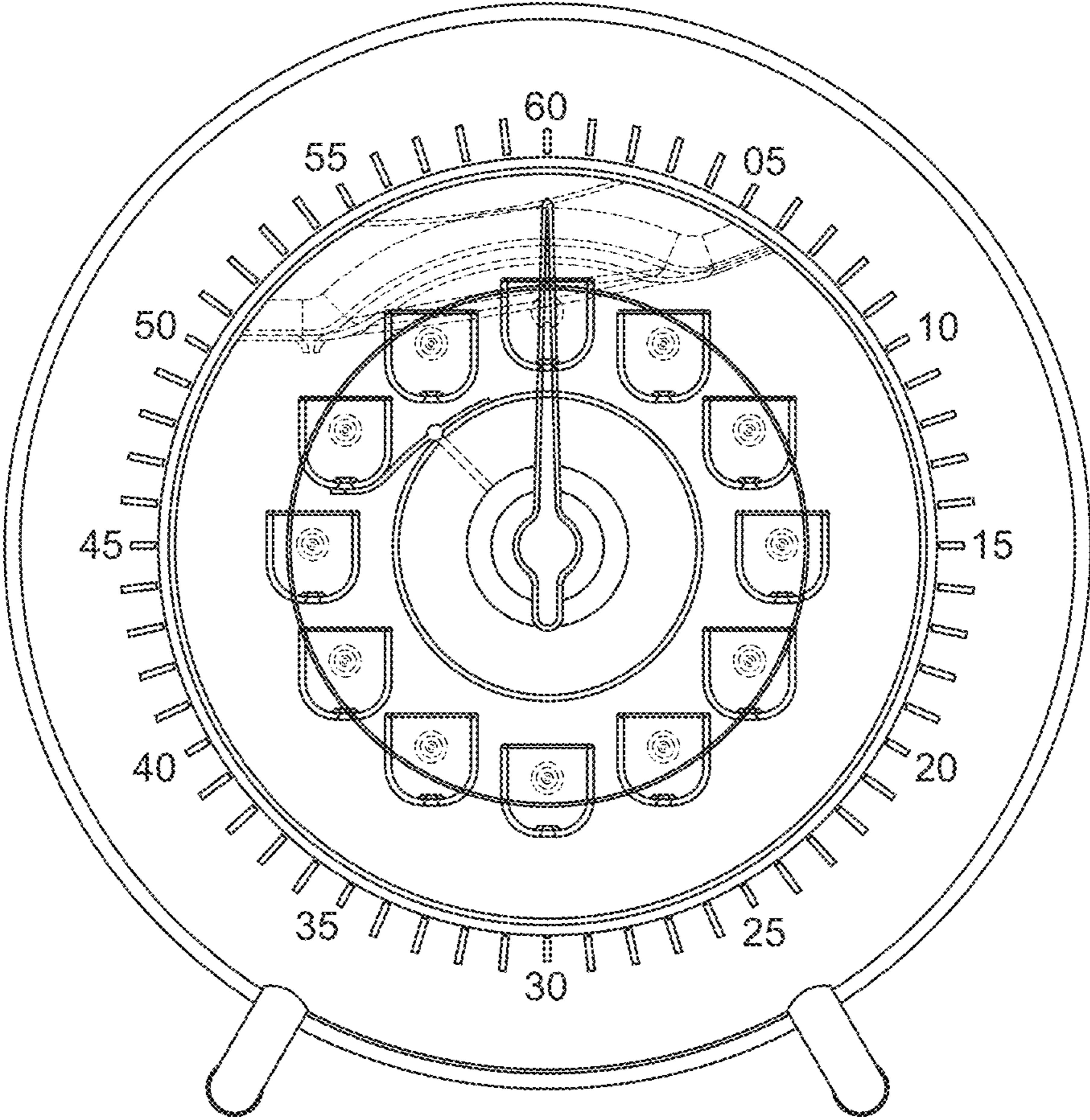


FIG. 1.2

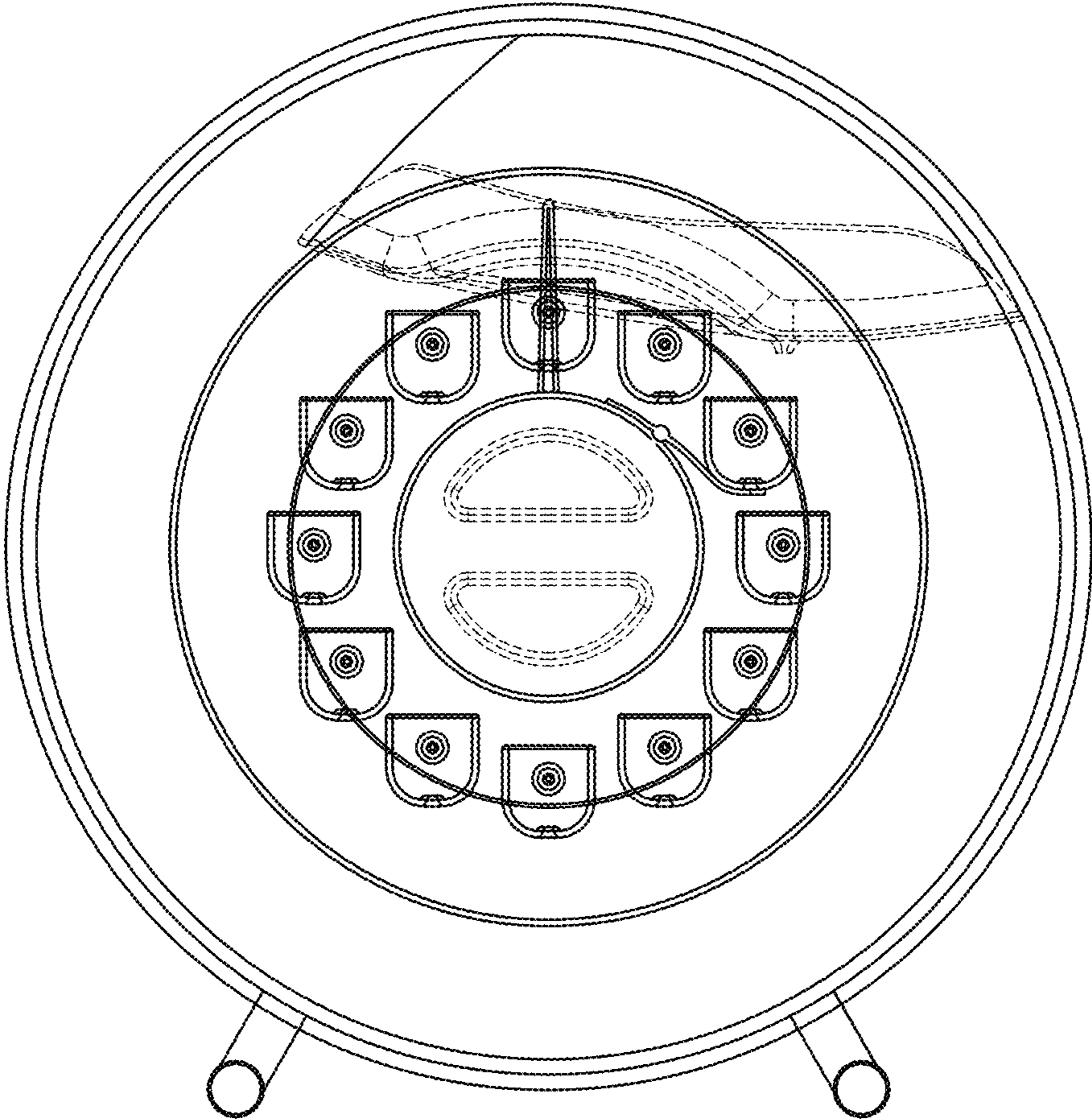


FIG. 1.3

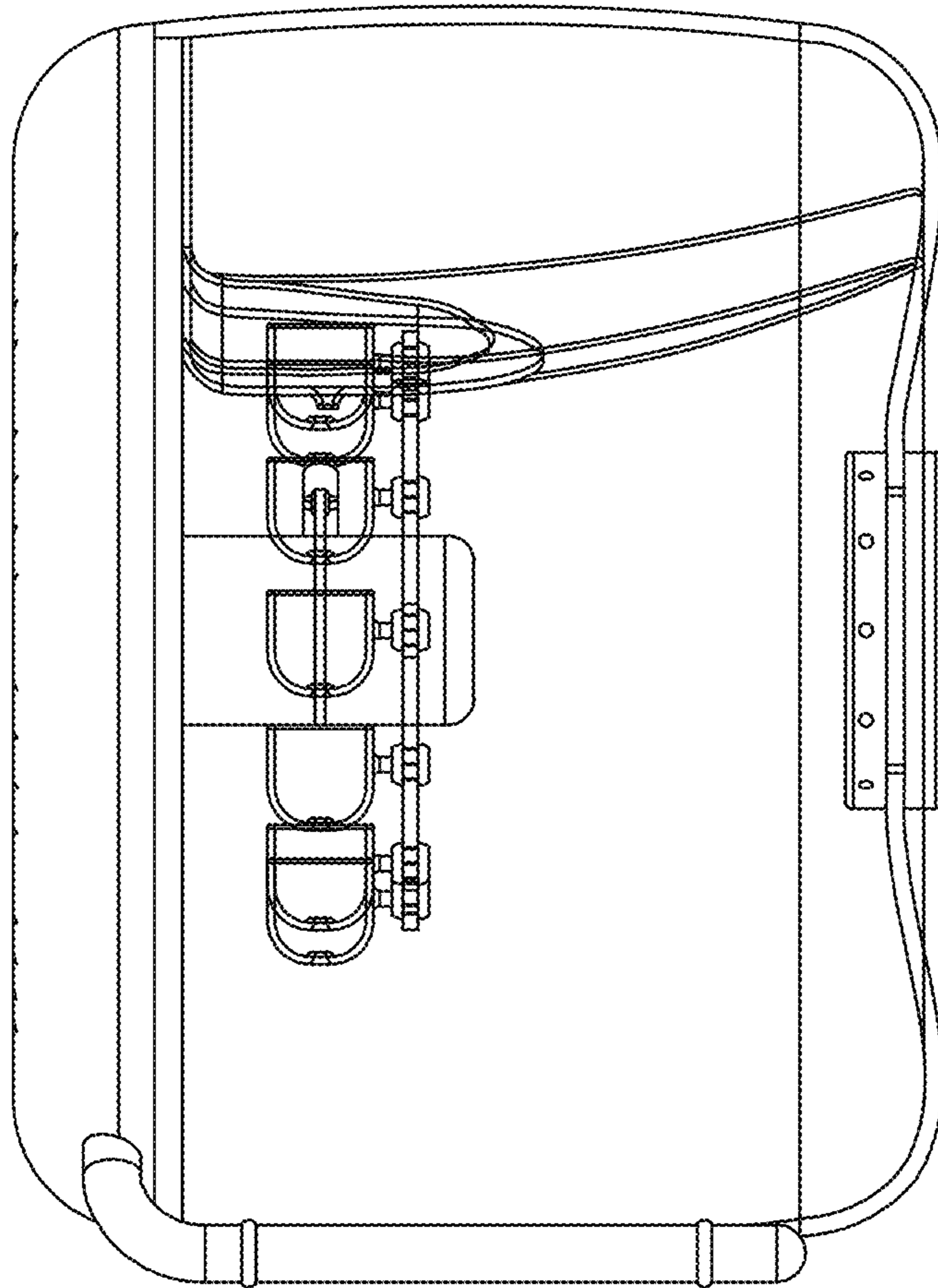


FIG. 1.4

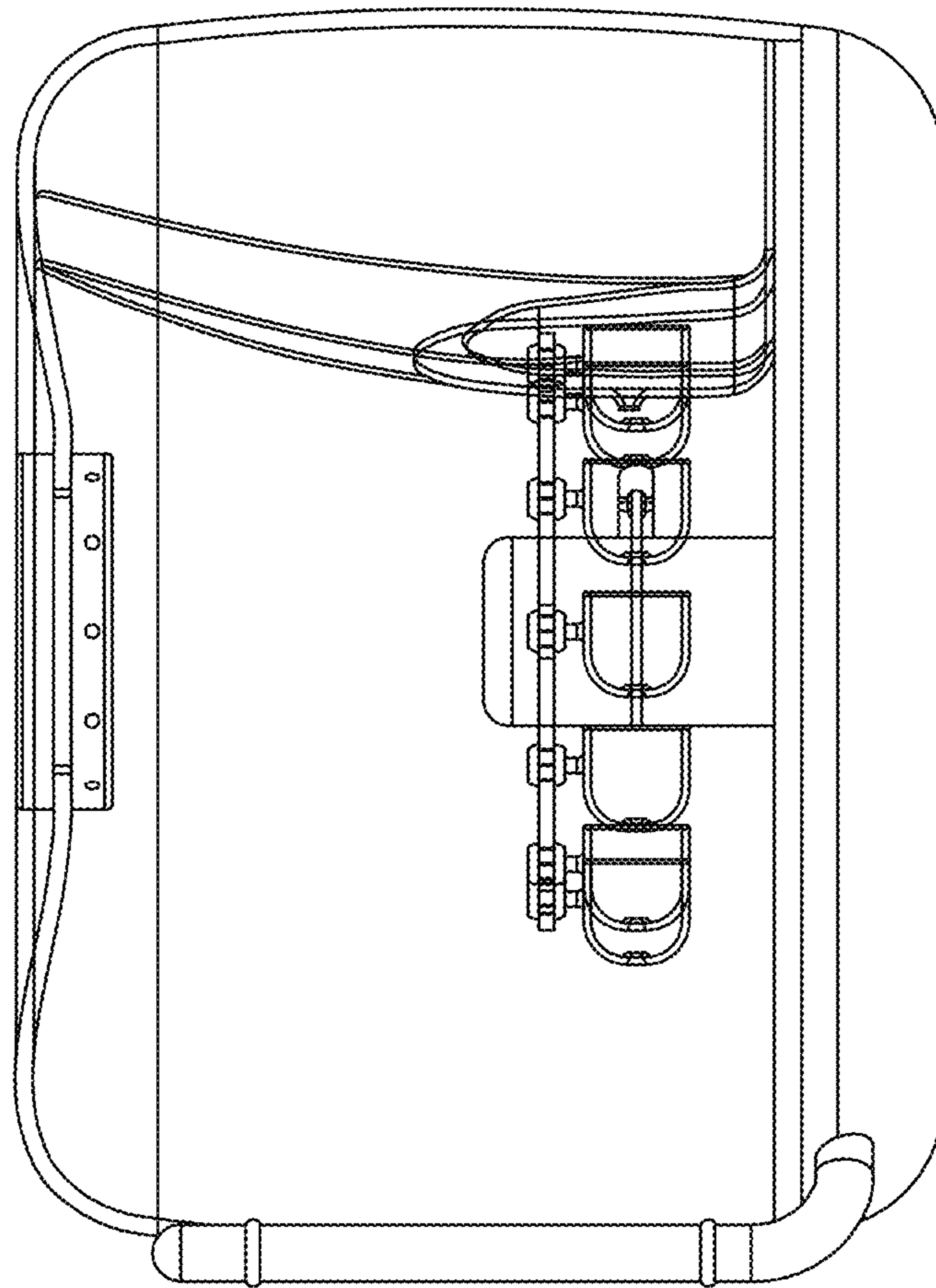


FIG. 1.5

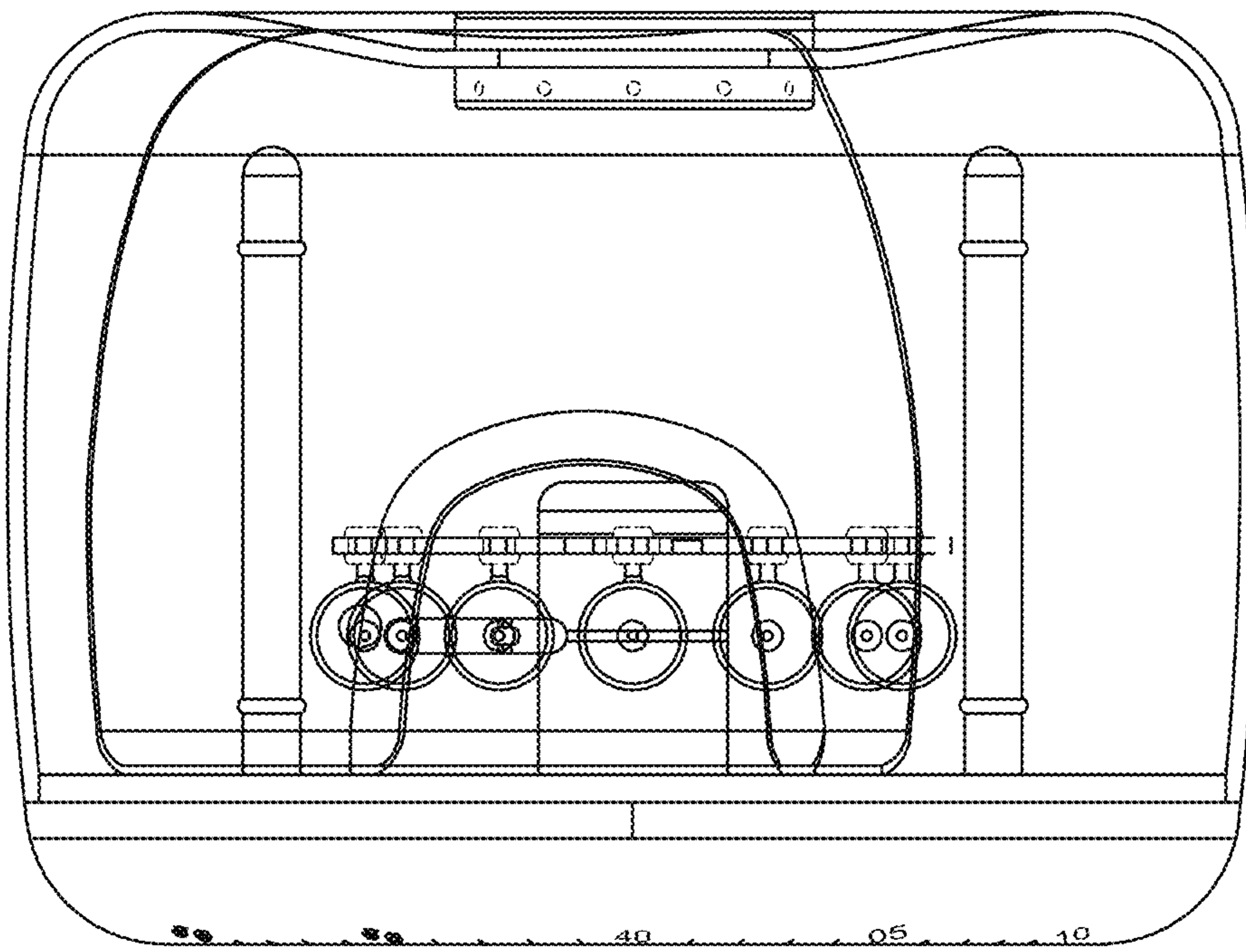


FIG. 1.6

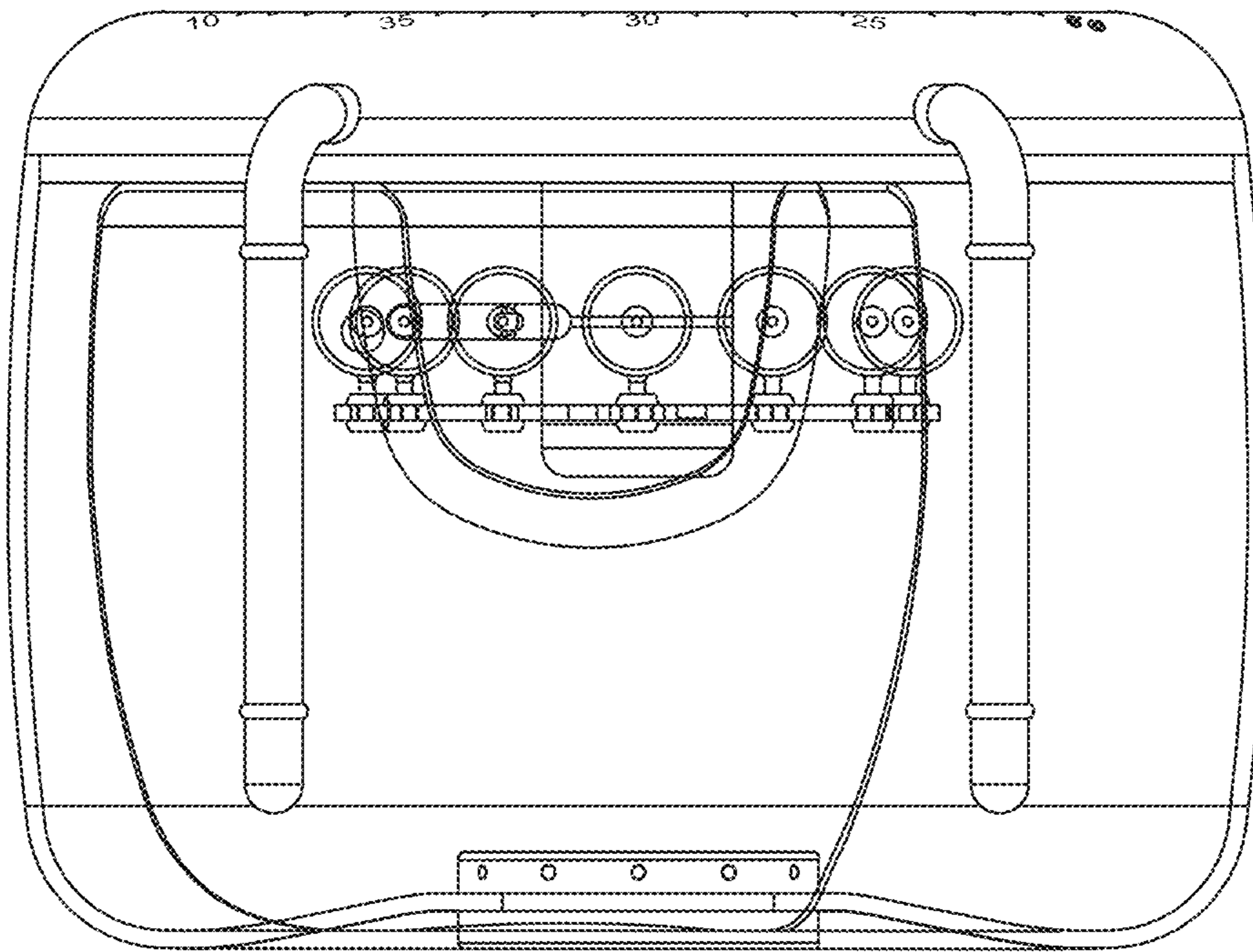


FIG. 1.7