



US00D827470S

(12) **United States Design Patent** (10) **Patent No.:** **US D827,470 S**  
**Lee et al.** (45) **Date of Patent:** **\*\* Sep. 4, 2018**

(54) **CONTROL PANEL FOR COMBINATION DOMESTIC DETECTION DEVICE**

4,931,769 A \* 6/1990 Phillips ..... G08B 25/008  
340/5.32  
D310,791 S \* 9/1990 Farrell ..... D10/106.95  
D389,762 S \* 1/1998 Yorkey ..... D10/104.1  
D559,718 S \* 1/2008 Schaeken ..... D10/106.1  
D559,719 S \* 1/2008 Schaeken ..... D10/106.1  
D577,623 S \* 9/2008 Tal ..... D10/106.95  
D598,312 S \* 8/2009 Kreier ..... D10/106.95  
D630,115 S \* 1/2011 Mizukami ..... D10/106.95  
D630,537 S \* 1/2011 Mizukami ..... D10/106.95  
D673,151 S \* 12/2012 Bousfield ..... D14/385  
D673,152 S \* 12/2012 Bousfield ..... D14/385

(71) Applicant: **LG ELECTRONICS INC.**, Seoul (KR)

(72) Inventors: **Hophil Lee**, Seoul (KR); **Kyoungjoung Kim**, Seoul (KR); **Jaewon Jeong**, Seoul (KR)

(73) Assignee: **LG ELECTRONICS INC.**, Seoul (KR)

(\*\*) Term: **15 Years**

(21) Appl. No.: **35/502,232**

(22) Filed: **Jul. 6, 2016**

(80) **Hague Agreement Data**

Int. Filing Date: **Jul. 6, 2016**  
Int. Reg. No.: **DM/091690**  
Int. Reg. Date: **Jul. 6, 2016**  
Int. Reg. Pub. Date: **Jan. 6, 2017**

(30) **Foreign Application Priority Data**

May 30, 2016 (KR) ..... 30-2016-0026106

(51) **LOC (11) Cl.** ..... **10-05**

(52) **U.S. Cl.**  
USPC ..... **D10/106.1; D10/106.95**

(58) **Field of Classification Search**  
USPC ..... D10/104, 106.1–106.95, 120; D12/179;  
D13/164; D14/357, 385, 387  
CPC ..... G08B 13/00; G08B 13/08; G08B 23/00  
See application file for complete search history.

(56) **References Cited**

**U.S. PATENT DOCUMENTS**

D241,323 S \* 9/1976 Sparks ..... D10/106.1  
4,797,663 A \* 1/1989 Rios ..... G08B 13/00  
340/541

\* cited by examiner

*Primary Examiner* — Darlington Ly

(74) *Attorney, Agent, or Firm* — Birch, Stewart, Kolasch & Birch, LLP

(57) **CLAIM**

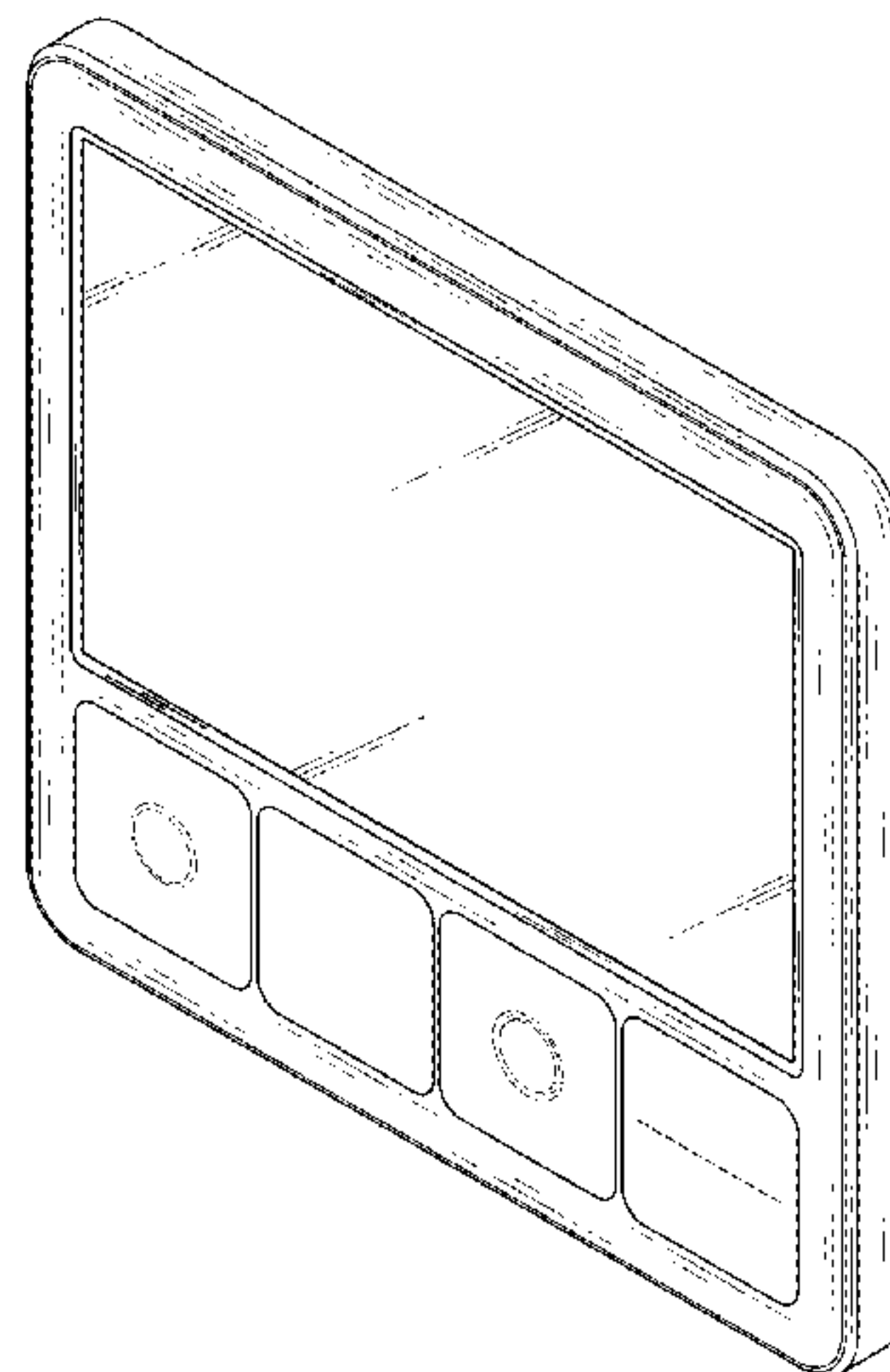
The ornamental design for a control panel for combination domestic detection device, as shown and described.

**DESCRIPTION**

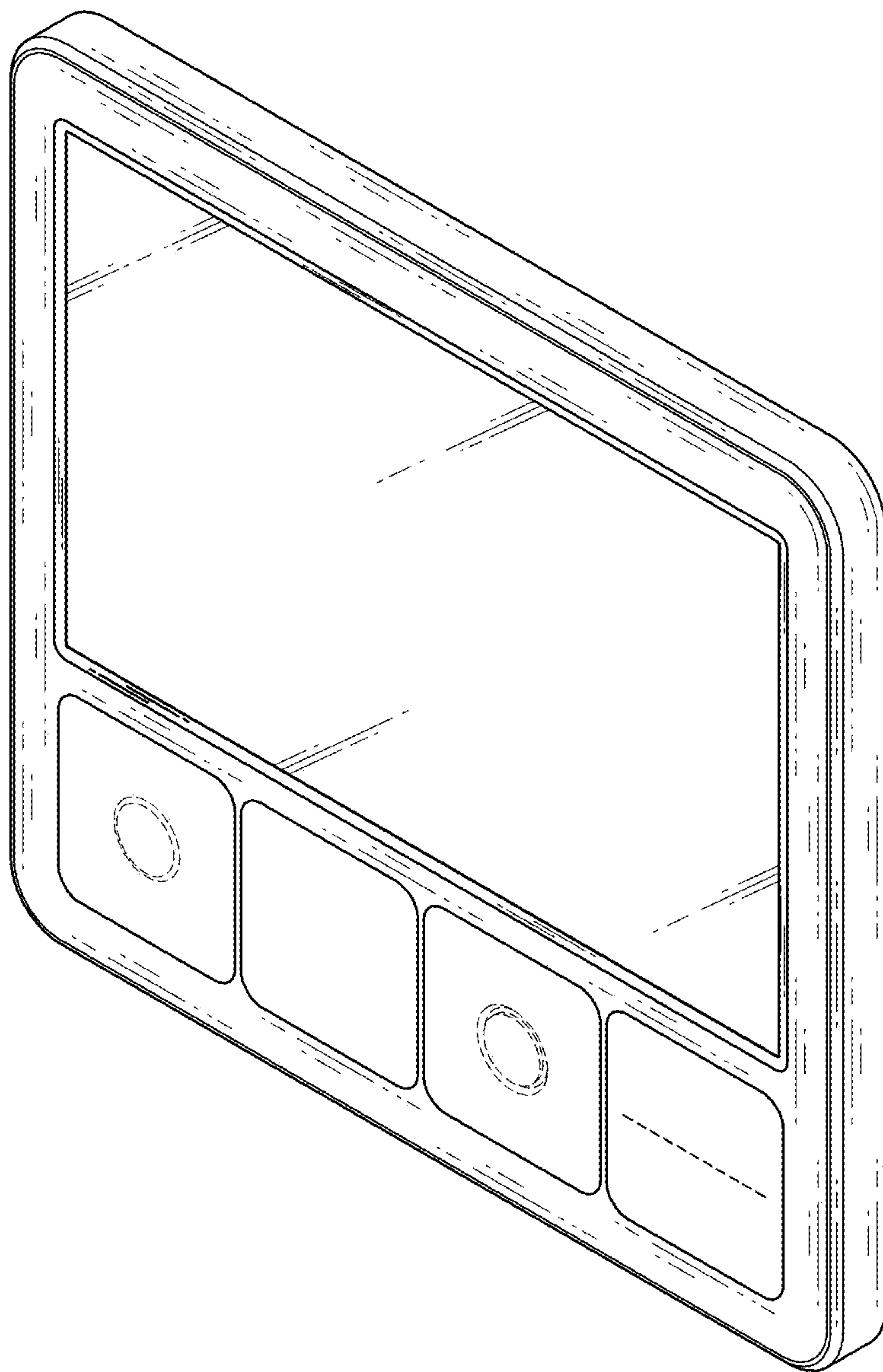
1. Control panel for combination domestic detection device  
**1.1** is a front perspective view of a control panel for combination domestic detection device showing our new design;  
**1.2** is a front elevation view thereof;  
**1.3** is a rear elevation view thereof;  
**1.4** is a left side elevation view thereof;  
**1.5** is a right side elevation view thereof;  
**1.6** is a top plan view thereof;  
**1.7** is a bottom plan view thereof; and  
**1.8** is an exploded front perspective view thereof.

The even broken lines in the reproductions illustrate portions of the control panel for combination domestic detection device that form no part of the claimed design. Additionally, the dash-dot broken lines in reproduction **1.8** are graphical indications of projection lines and do not form part of the claimed design.

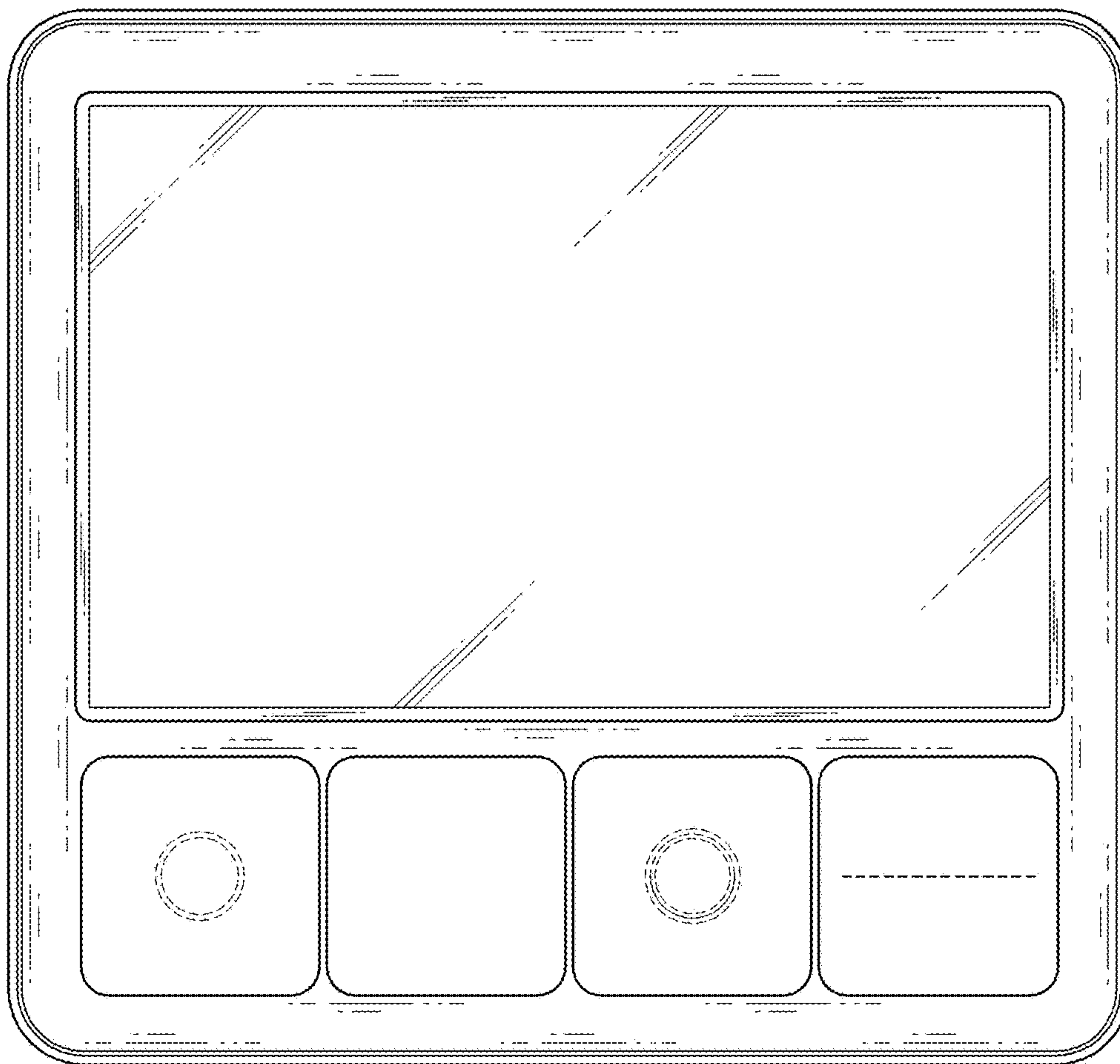
**1 Claim, 8 Drawing Sheets**



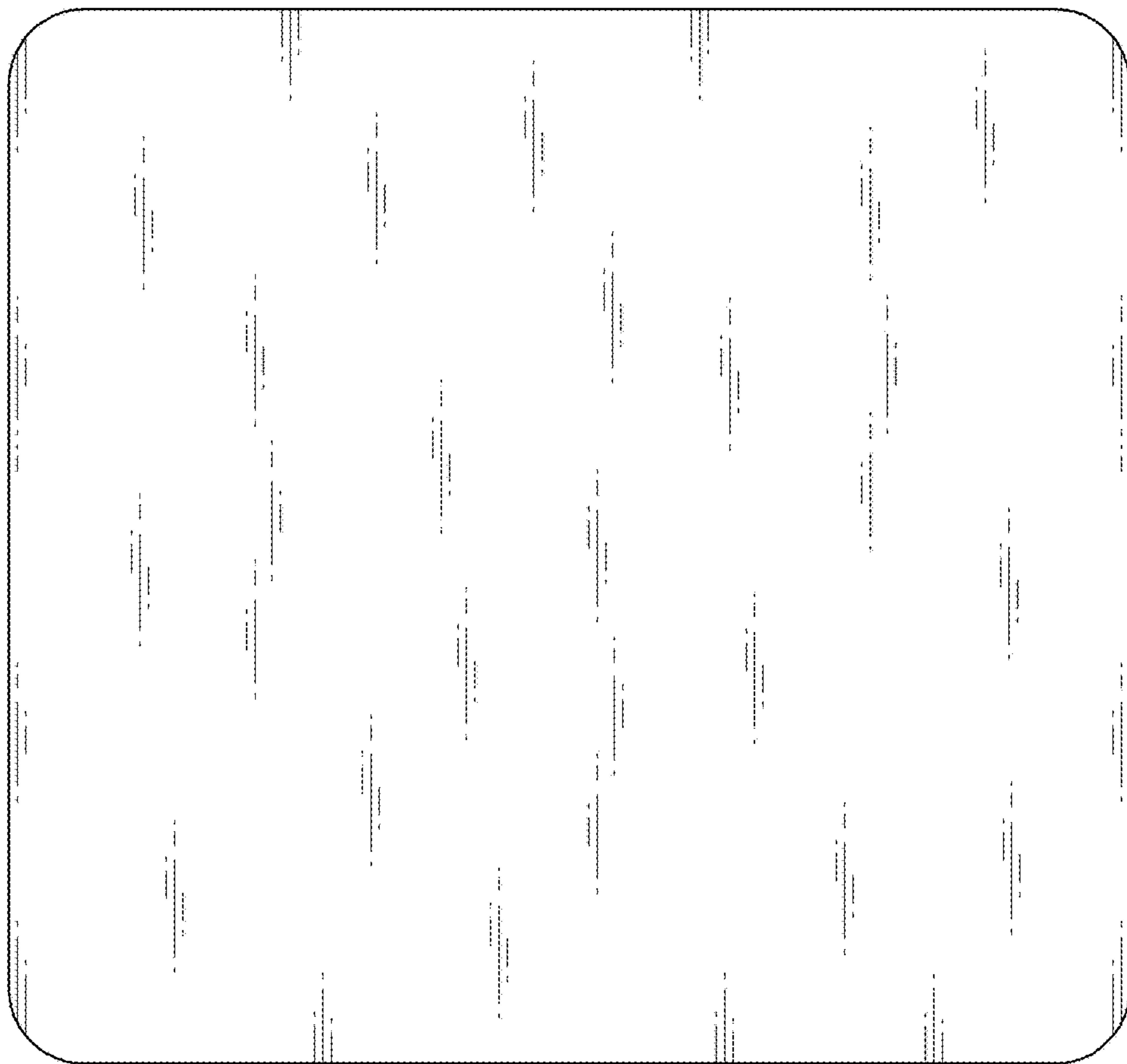
1.1



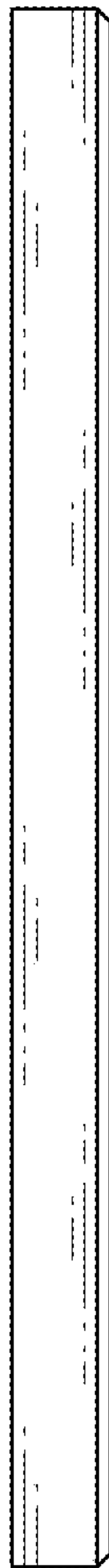
1.2



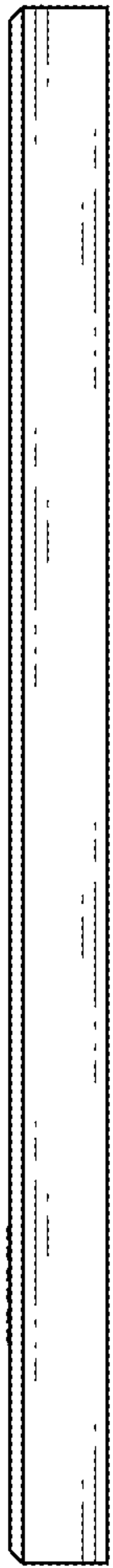
1.3



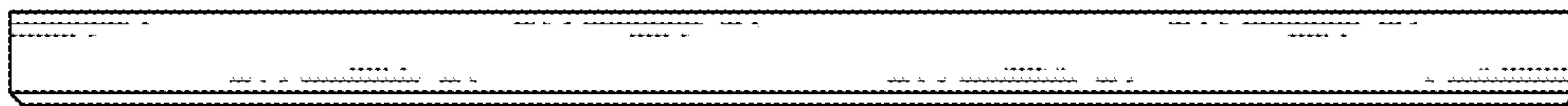
1.4



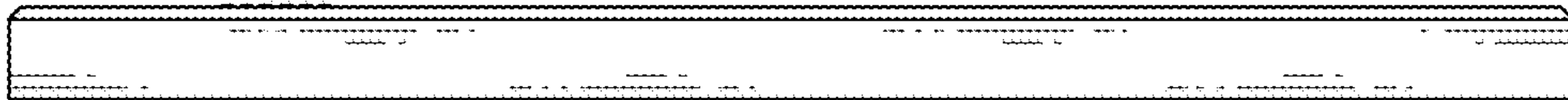
1.5



1.6



1.7





1.8

