



US00D827469S

(12) **United States Design Patent**  
**Moser**

(10) **Patent No.:** **US D827,469 S**

(45) **Date of Patent:** **\*\* Sep. 4, 2018**

(54) **MEASURING APPARATUS**

(71) Applicant: **Endress + Hauser Flowtec AG**,  
Reinach (CH)

(72) Inventor: **Thierry Moser**, Sierentz (FR)

(73) Assignee: **ENDRESS + HAUSER FLOWTEC**  
**AG**, Reinach (CH)

(\*\*) Term: **15 Years**

(21) Appl. No.: **29/600,844**

(22) Filed: **Apr. 17, 2017**

(30) **Foreign Application Priority Data**

Oct. 18, 2016 (EM) ..... 003423482-0001

(51) **LOC (11) Cl.** ..... **10-04**

(52) **U.S. Cl.**  
USPC ..... **D10/96**

(58) **Field of Classification Search**

USPC ..... D10/96

CPC ... G01F 1/76; G01F 1/78; G01F 1/785; G01F  
1/80; G01F 1/82; G01F 1/84; G01F  
1/8404; G01F 1/8409; G01F 1/8413;  
G01F 1/8418; G01F 1/8422; G01F  
1/8427; G01F 1/8431; G01F 1/8436;  
G01F 1/844; G01F 1/8445; G01F 1/845;  
G01F 1/8454; G01F 1/8459; G01F  
1/8463; G01F 1/8468; G01F 1/8472;  
G01F 1/8477; G01F 1/8481; G01F  
1/8486; G01F 1/849; G01F 1/8495; G01F  
1/86; G01F 1/88; G01F 1/90; G01F 15/14

See application file for complete search history.

(56) **References Cited**

U.S. PATENT DOCUMENTS

6,666,098 B2 \* 12/2003 Drahm ..... G01F 1/8413  
73/861.355  
6,910,366 B2 \* 6/2005 Drahm ..... G01F 1/8413  
73/54.24

\* cited by examiner

*Primary Examiner* — Antoine Duval Davis

(74) *Attorney, Agent, or Firm* — Bacon & Thomas, PLLC

(57) **CLAIM**

The ornamental design of a measuring apparatus, as shown and described.

**DESCRIPTION**

FIG. 1 is a right-side elevation view of one embodiment of the measuring apparatus according to the present invention; FIG. 2 is a bottom view of the measuring apparatus of FIG. 1;

FIG. 3 is a right-side elevation view of an alternate embodiment of the measuring apparatus according to the present invention;

FIG. 4 is a left-side elevation view of the measuring apparatus of FIG. 3;

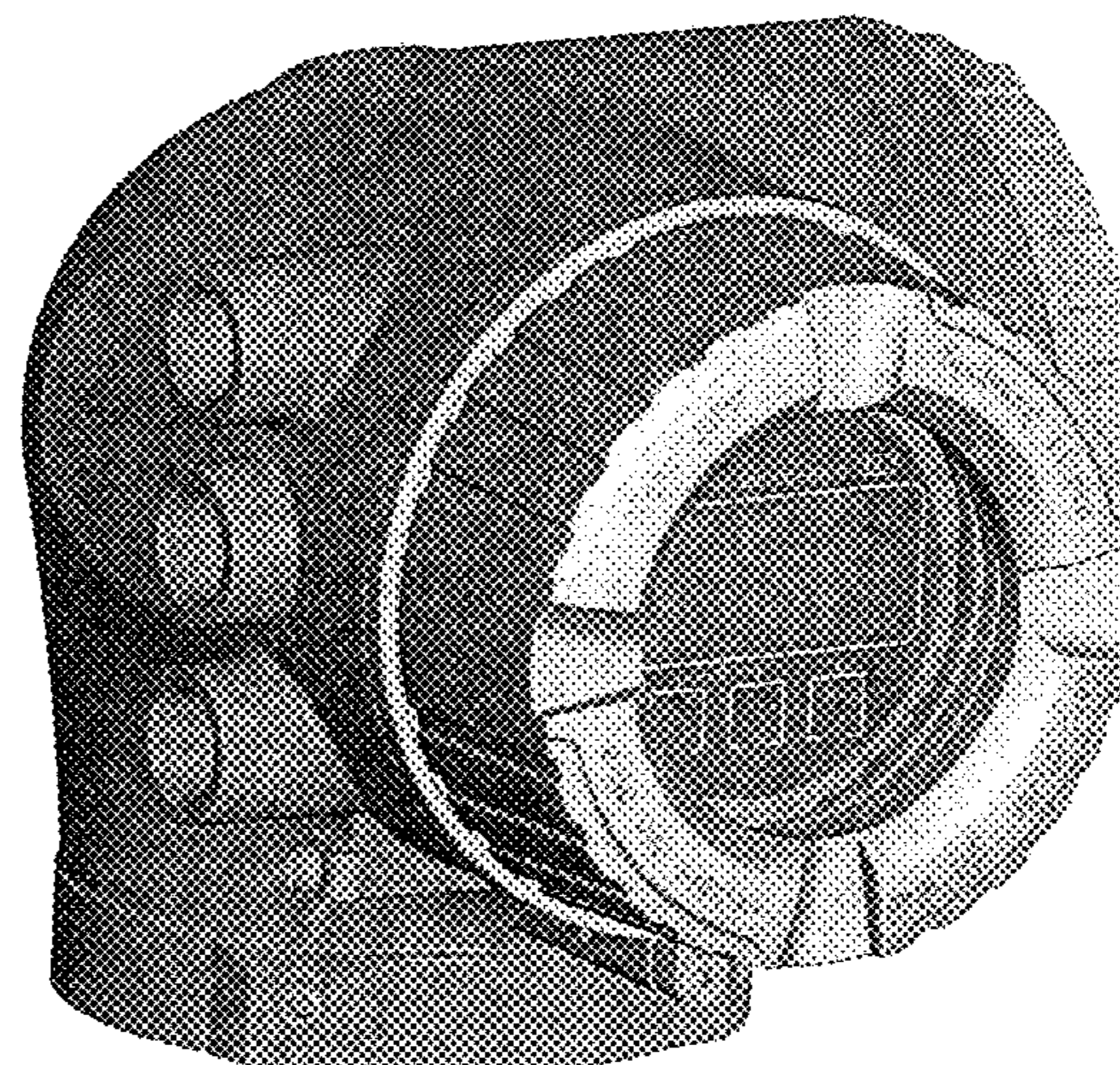
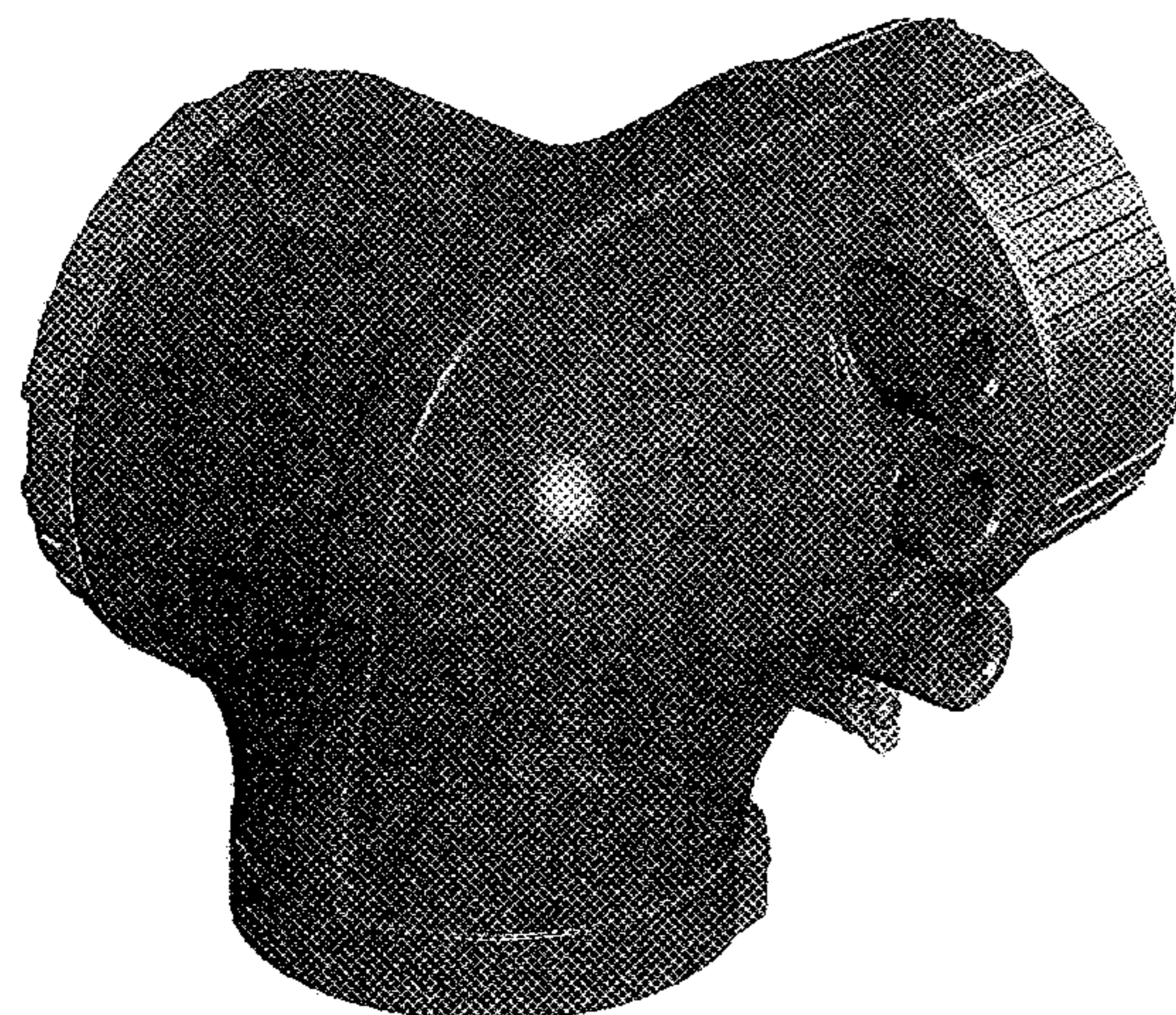
FIG. 5 is a left-side elevation view of an alternate embodiment of the measuring apparatus according to the present invention;

FIG. 6 is a rear side isometric view of the measuring apparatus of FIG. 5;

FIG. 7 is a front left-side isometric view of the measuring apparatus of FIG. 5; and,

FIG. 8 is a front right-side isometric view of the measuring apparatus of FIG. 5.

**1 Claim, 8 Drawing Sheets**





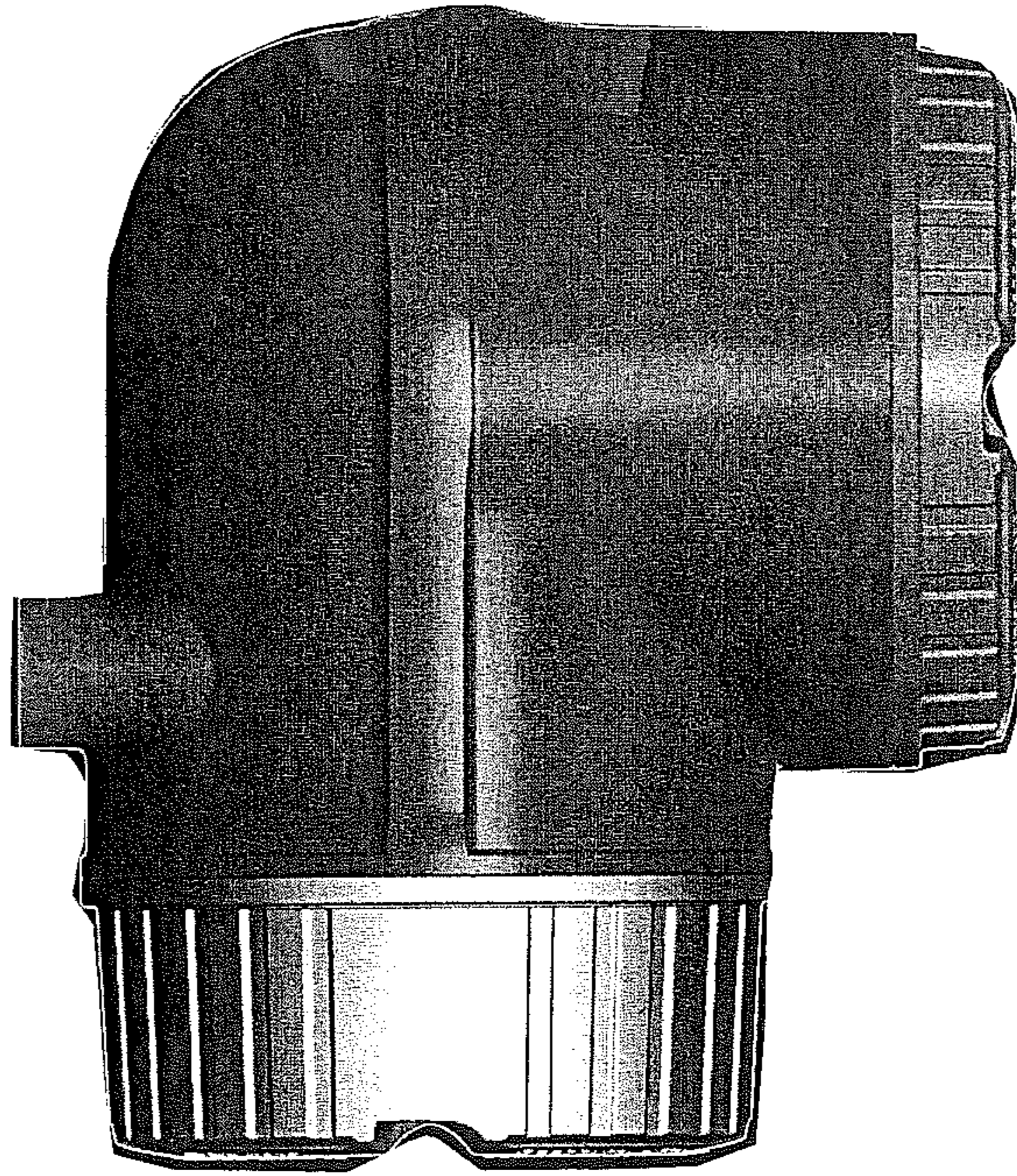


FIG. 1



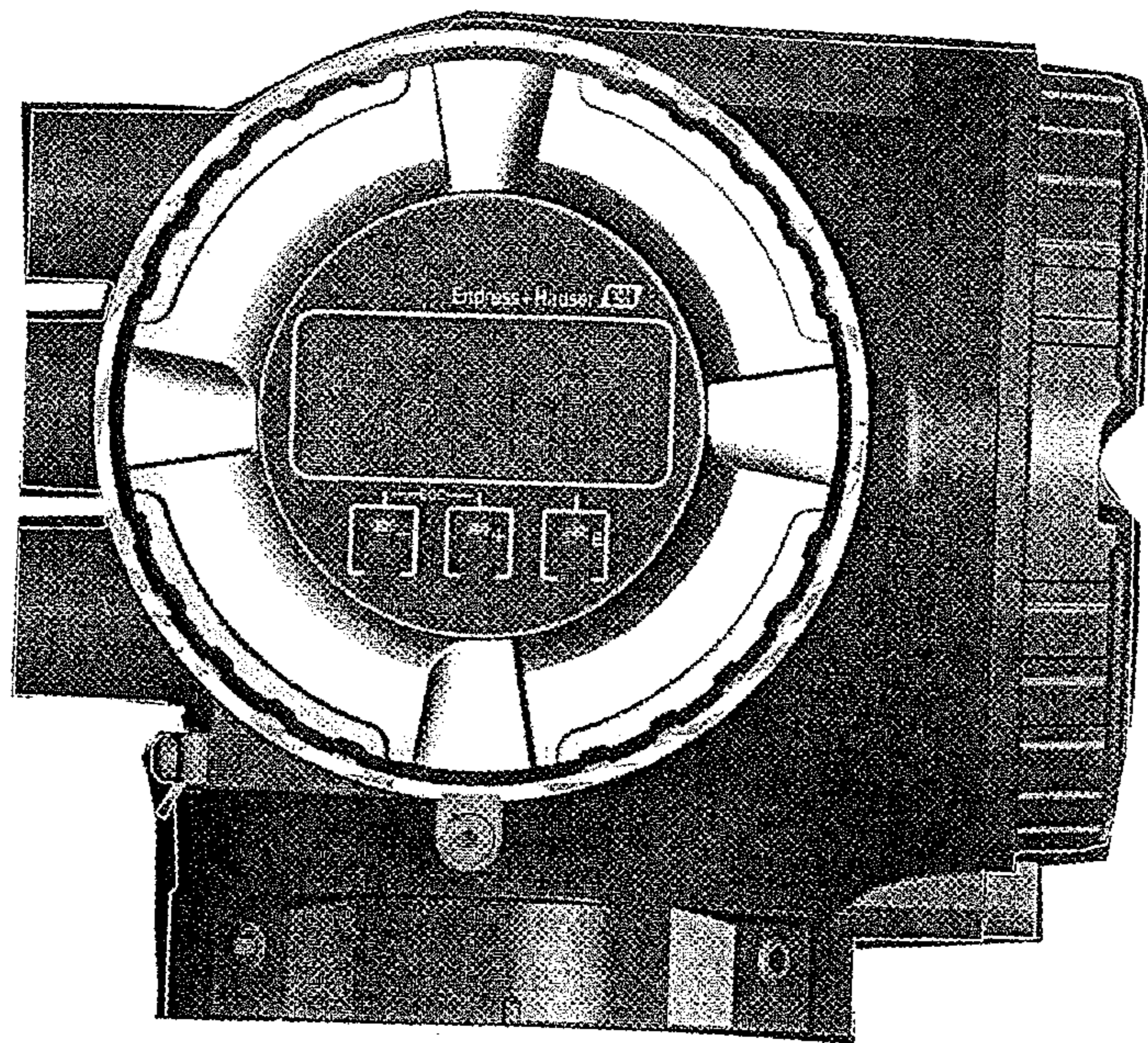


FIG. 2



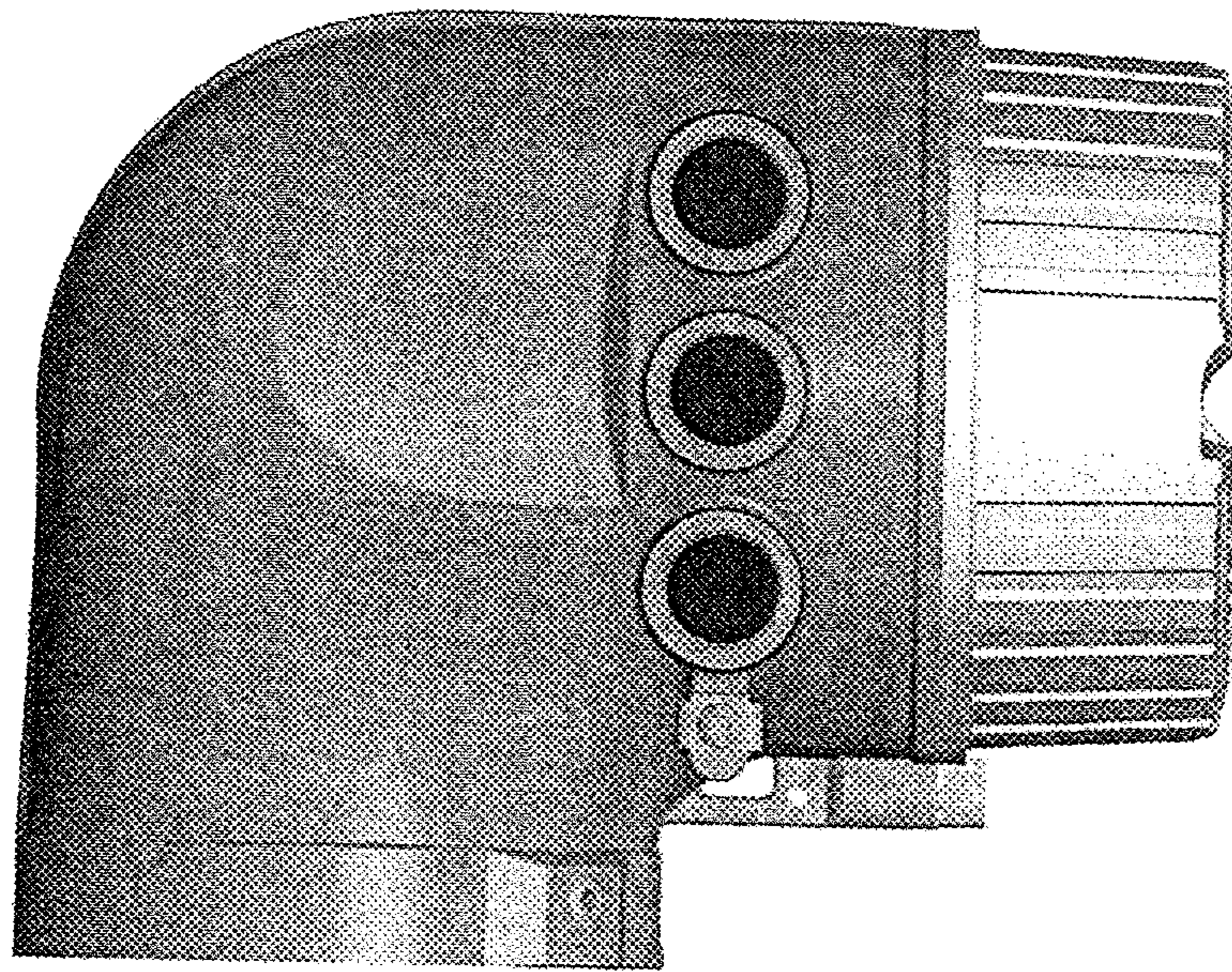


FIG. 3



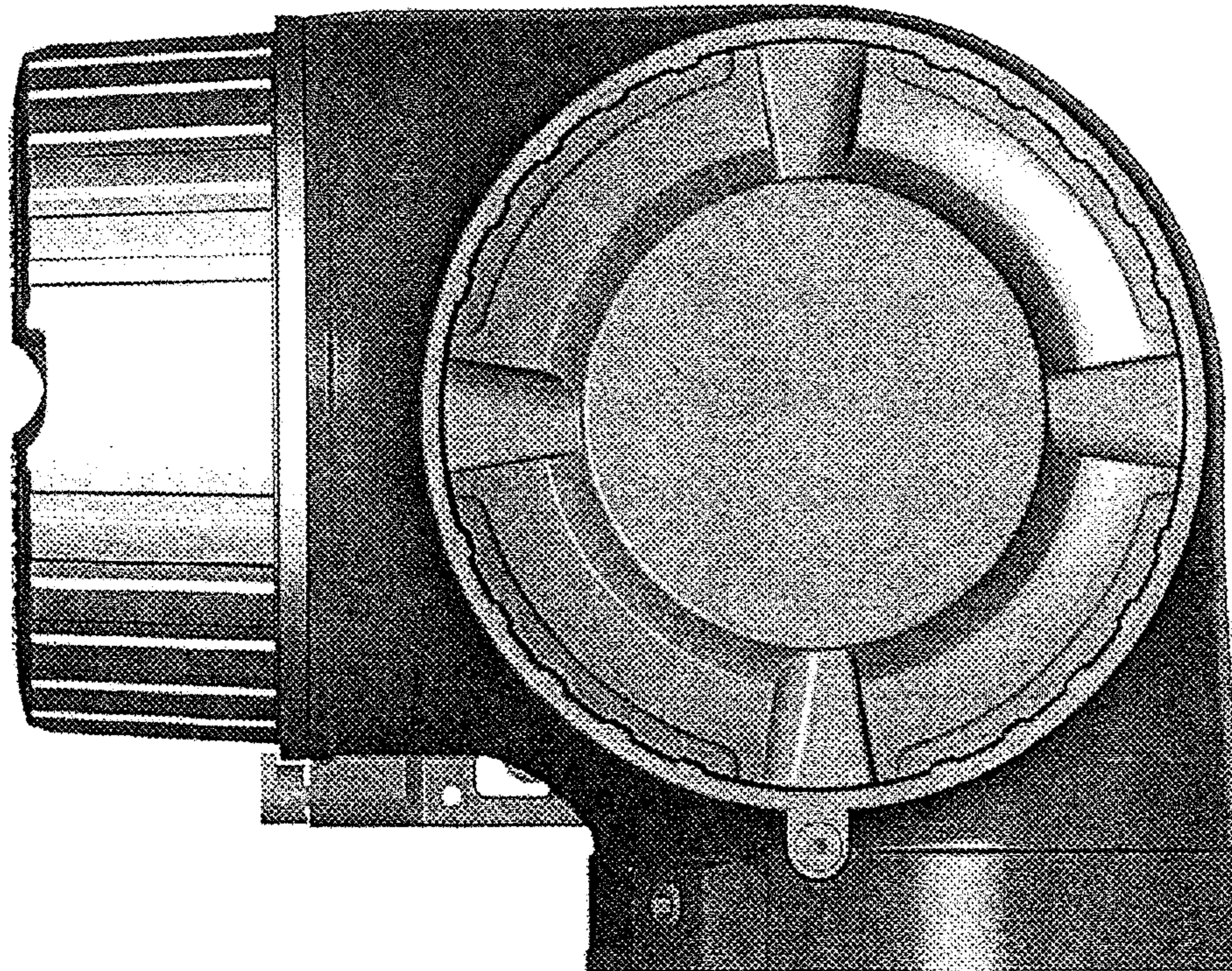


FIG. 4



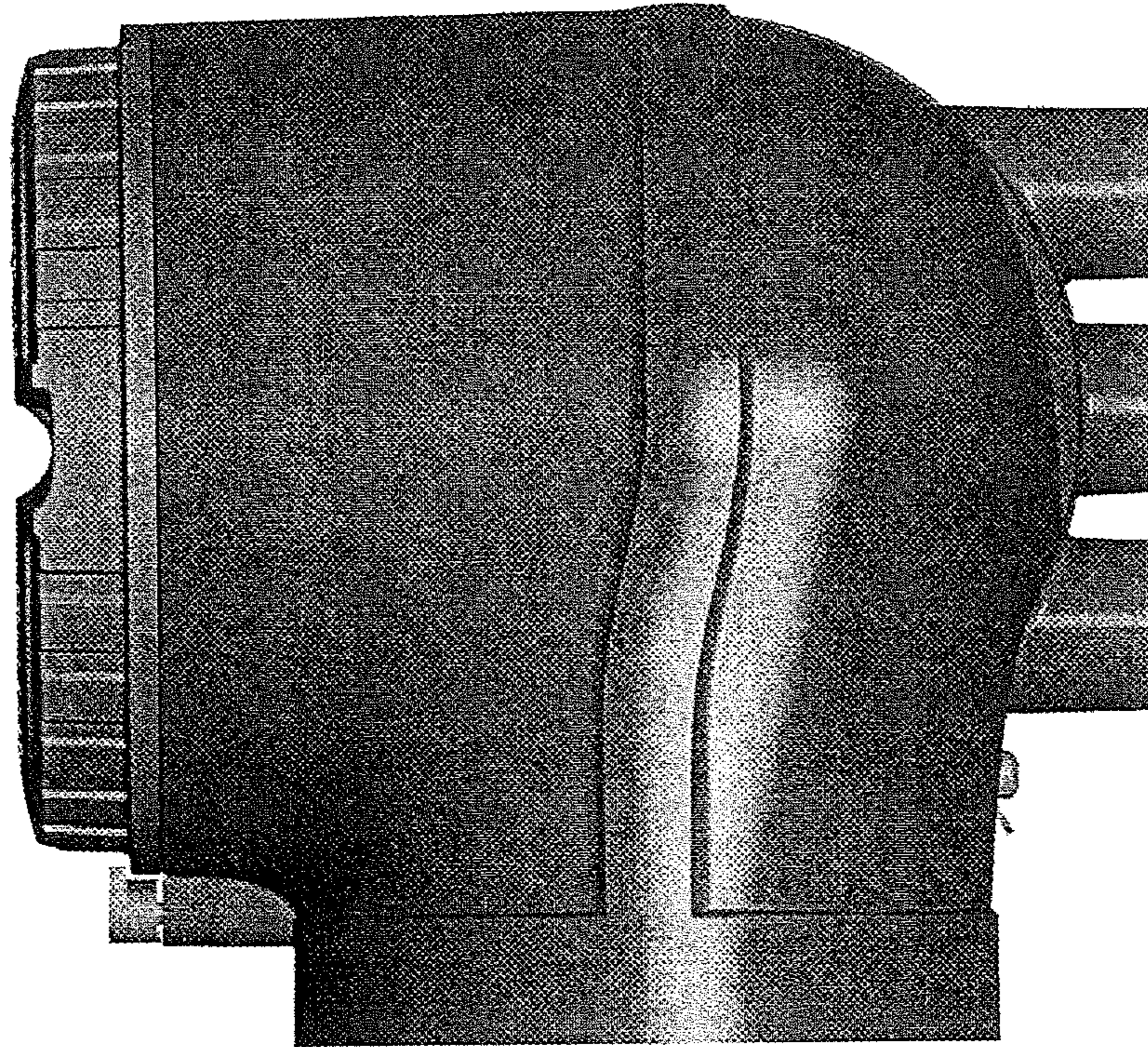


FIG. 5



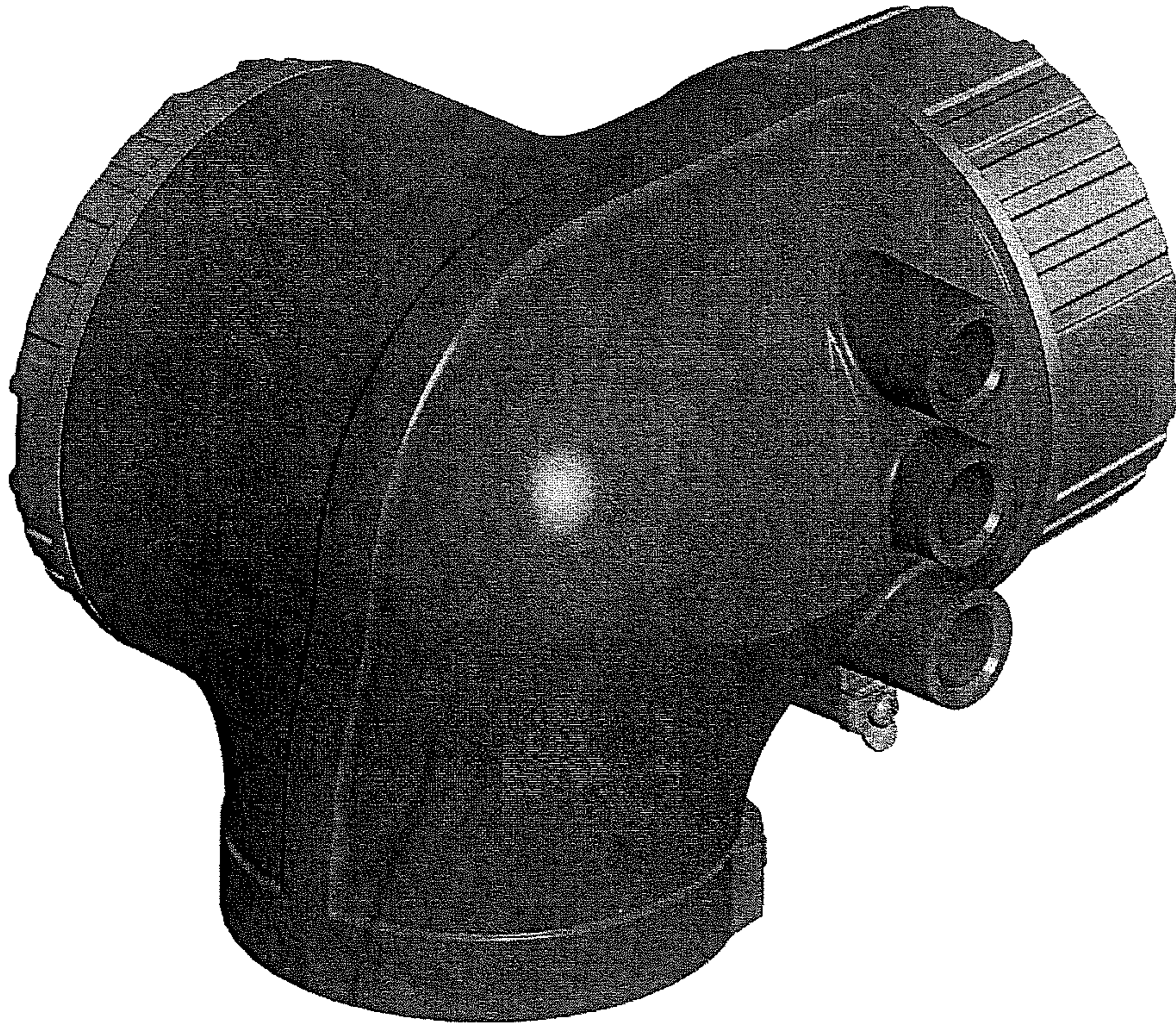


FIG. 6



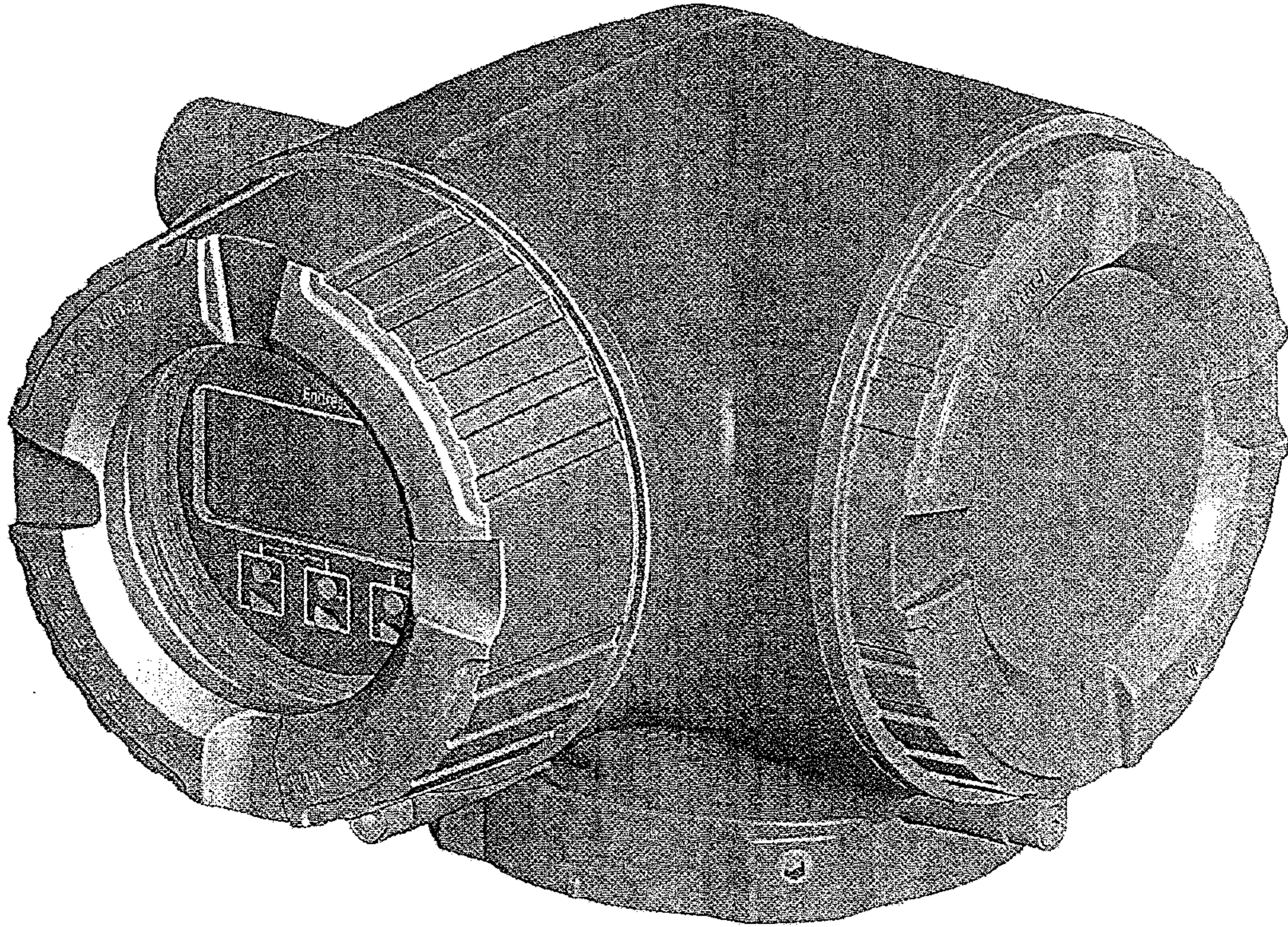


FIG. 7



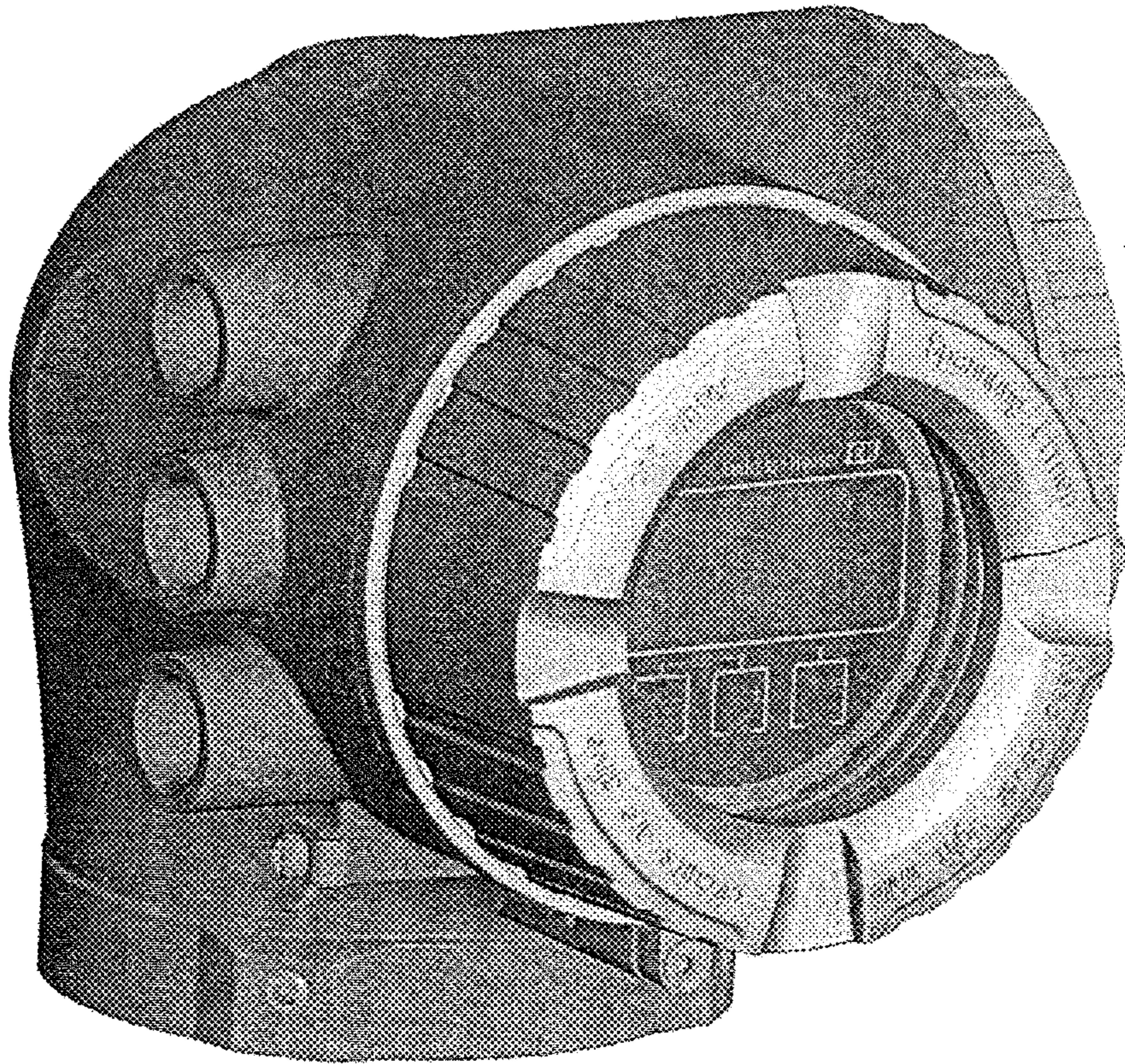


FIG. 8