



US00D827468S

(12) **United States Design Patent**  
**Kataoka**

(10) **Patent No.:** **US D827,468 S**

(45) **Date of Patent:** **\*\* Sep. 4, 2018**

(54) **VIBRATION AND TEMPERATURE MEASURING DEVICE**

(71) Applicant: **MIYAWAKI Inc.**, Osaka-shi, Osaka (JP)

(72) Inventor: **Shinya Kataoka**, Osaka (JP)

(73) Assignee: **MIYAWAKI INC.**, Osaka (JP)

(\*\*) Term: **15 Years**

(21) Appl. No.: **29/599,922**

(22) Filed: **Apr. 7, 2017**

(30) **Foreign Application Priority Data**

Oct. 11, 2016 (JP) ..... 2016-022045

(51) **LOC (11) Cl.** ..... **10-04**

(52) **U.S. Cl.**  
USPC ..... **D10/83; D10/78**

(58) **Field of Classification Search**  
USPC ..... D10/78, 80, 83, 84, 85  
CPC ..... F16T 1/48; G01N 29/22; G01N 29/226;  
G01N 29/28  
See application file for complete search history.

(56) **References Cited**

**U.S. PATENT DOCUMENTS**

4,809,550 A \* 3/1989 Faulconer ..... B63C 11/32  
73/300  
4,898,022 A \* 2/1990 Yumoto ..... F16T 1/48  
236/94

D356,039 S \* 3/1995 Pecukonis ..... D10/78  
6,189,384 B1 \* 2/2001 Piety ..... G01H 1/003  
73/592  
D587,611 S \* 3/2009 Oshima ..... D10/83

\* cited by examiner

*Primary Examiner* — Antoine Duval Davis

(74) *Attorney, Agent, or Firm* — Birch, Stewart, Kolasch & Birch, LLP

(57) **CLAIM**

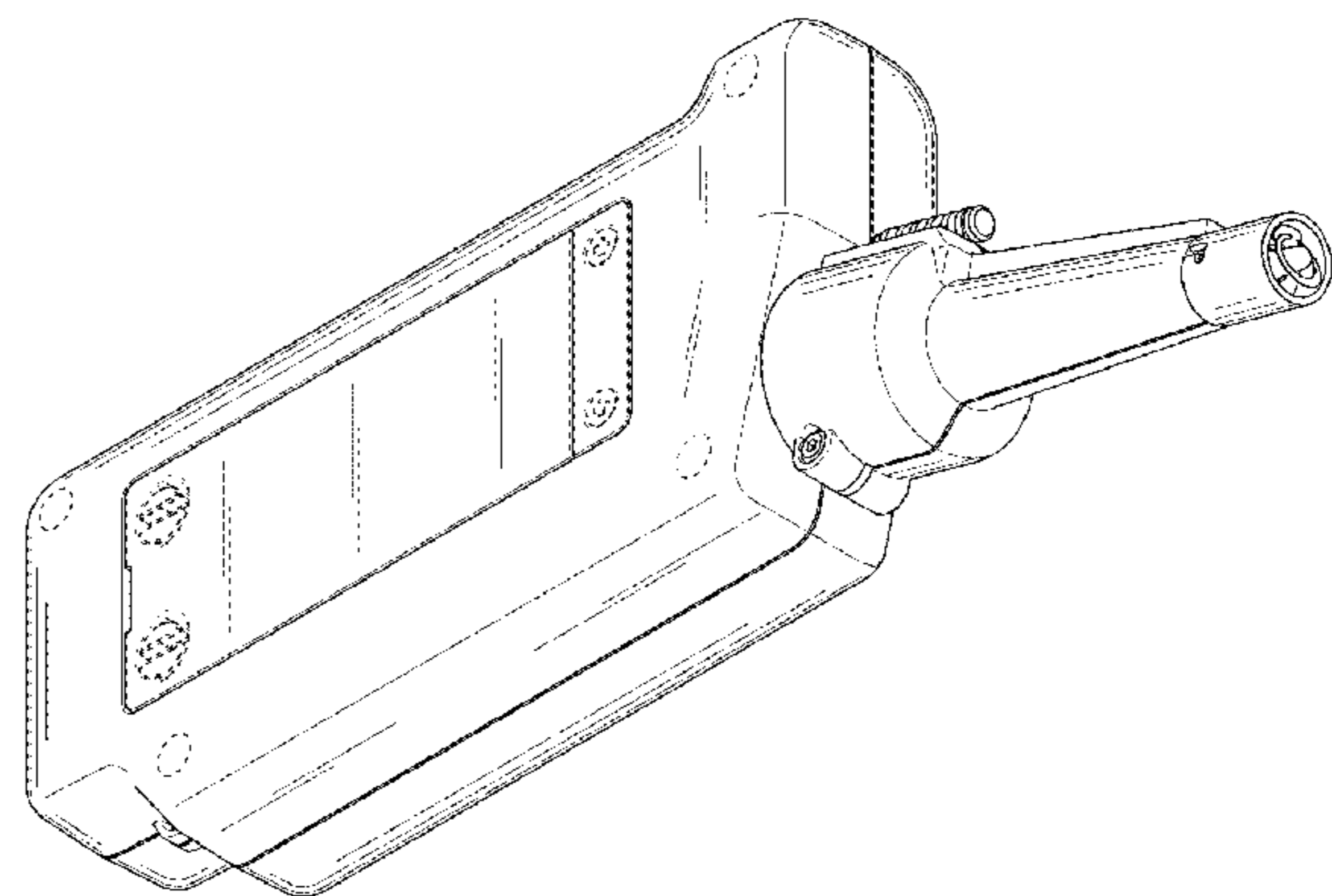
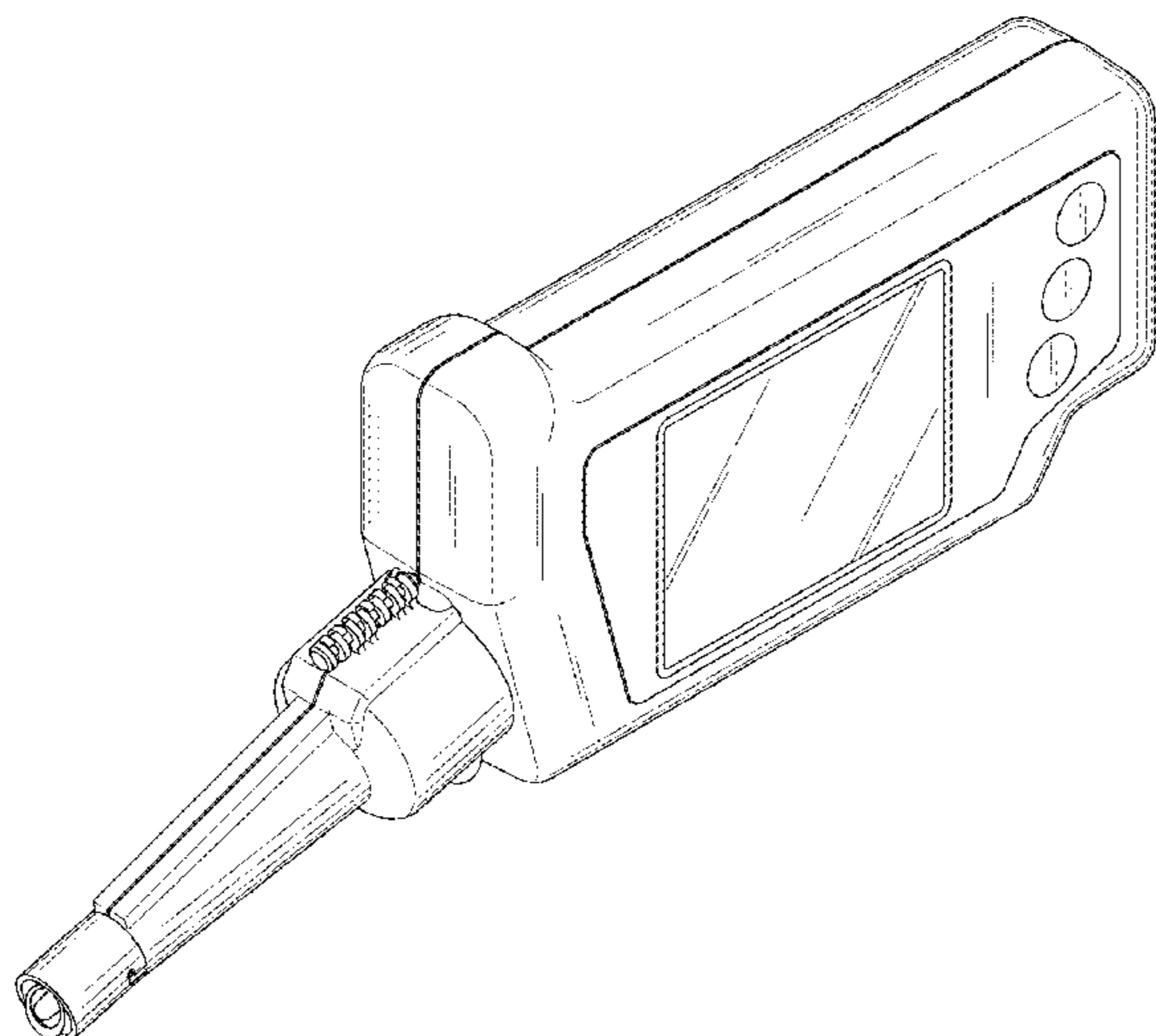
The ornamental design for a vibration and temperature measuring device, as shown and described.

**DESCRIPTION**

FIG. 1 is a first perspective view of a vibration and temperature measuring device;  
FIG. 2 is a second perspective view thereof;  
FIG. 3 is a front view thereof;  
FIG. 4 is a rear view thereof;  
FIG. 5 is a left side view thereof;  
FIG. 6 is a right side view thereof;  
FIG. 7 is a top view thereof;  
FIG. 8 is a bottom view thereof; and,  
FIG. 9 is an enlarged sectional view taken along lines 9-9 in FIG. 7 thereof.

The broken lines depict portions of the vibration and temperature measuring device in which the design is embodied that are not considered part of the claimed design.

**1 Claim, 7 Drawing Sheets**



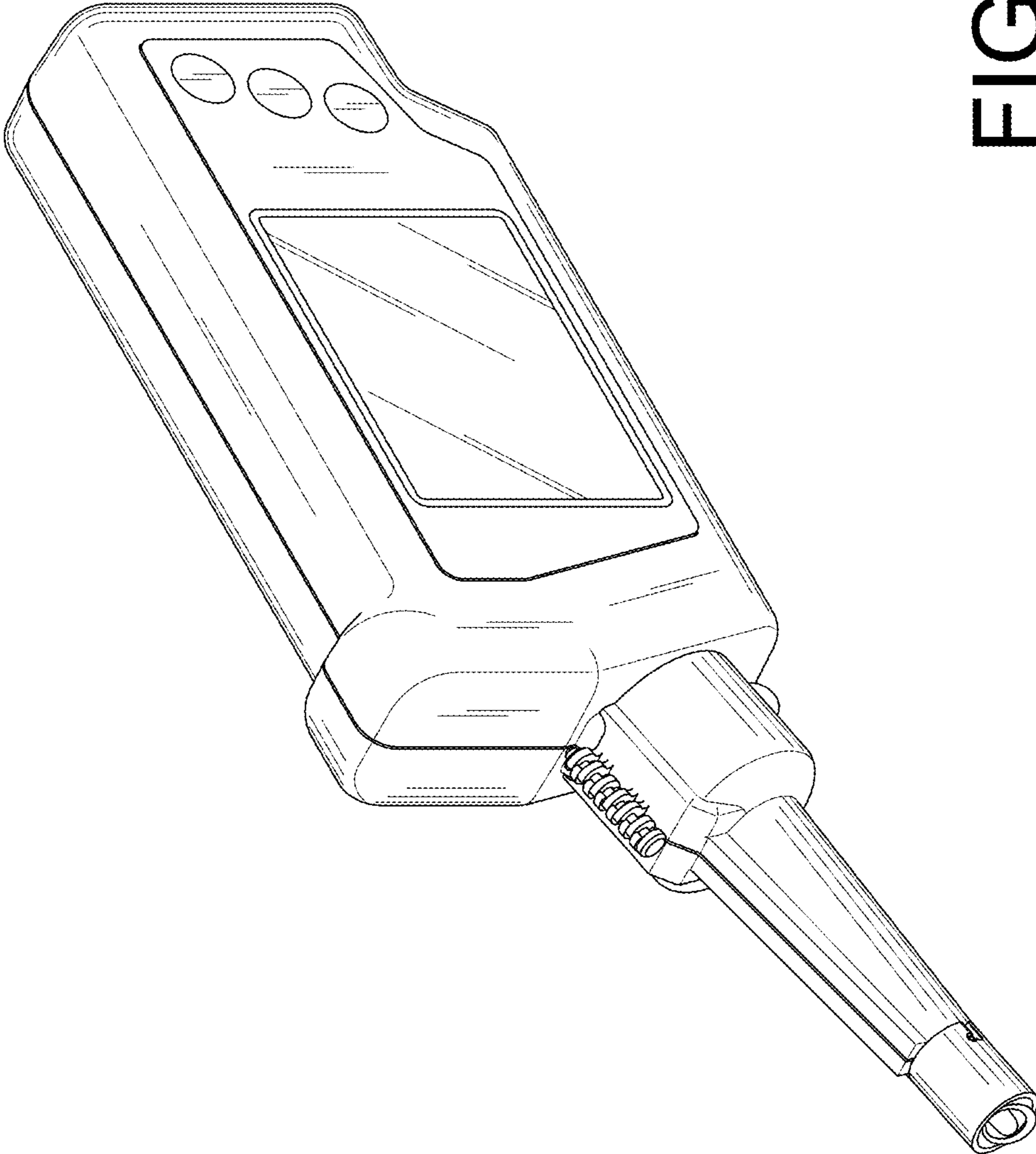


FIG.1

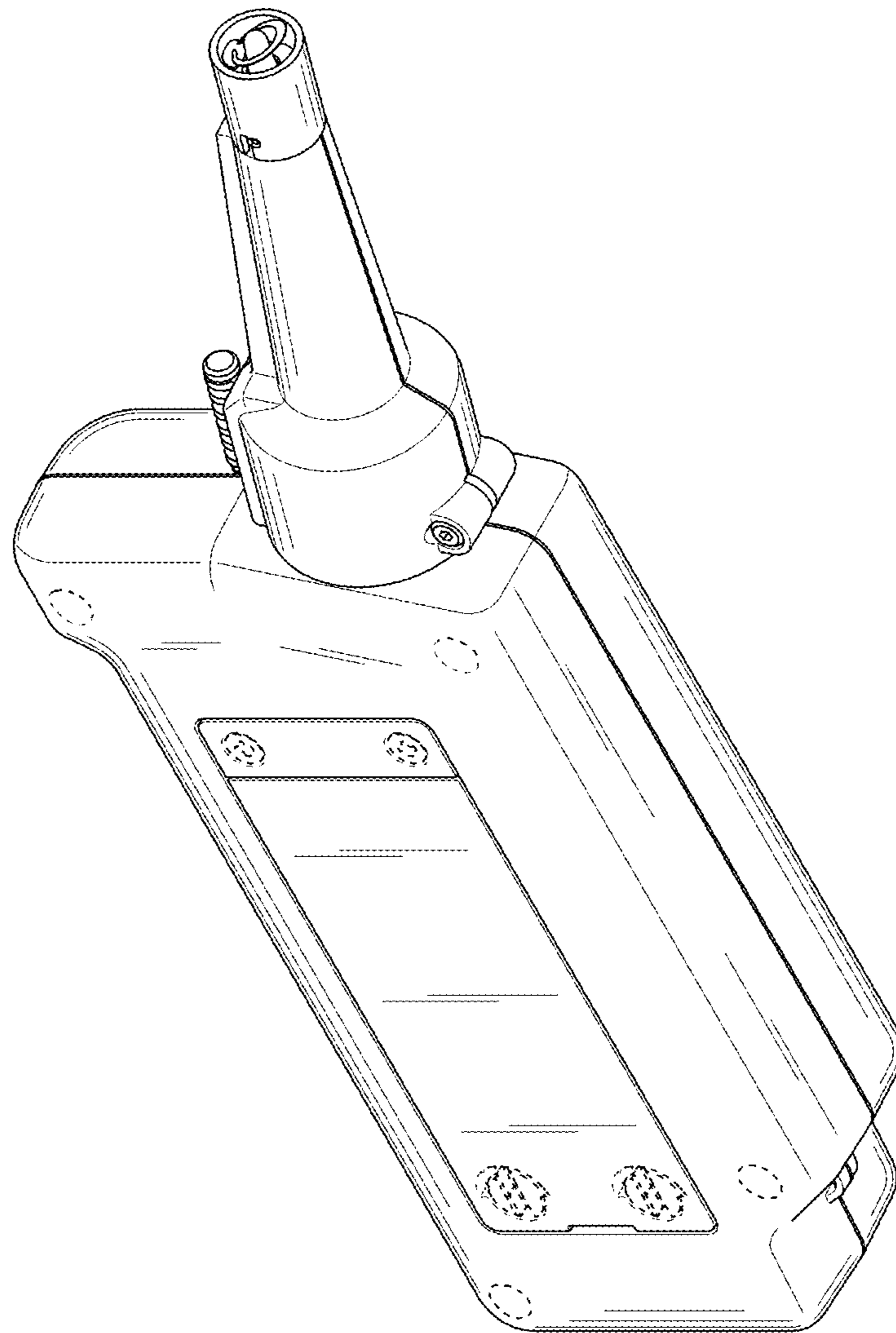


FIG.2

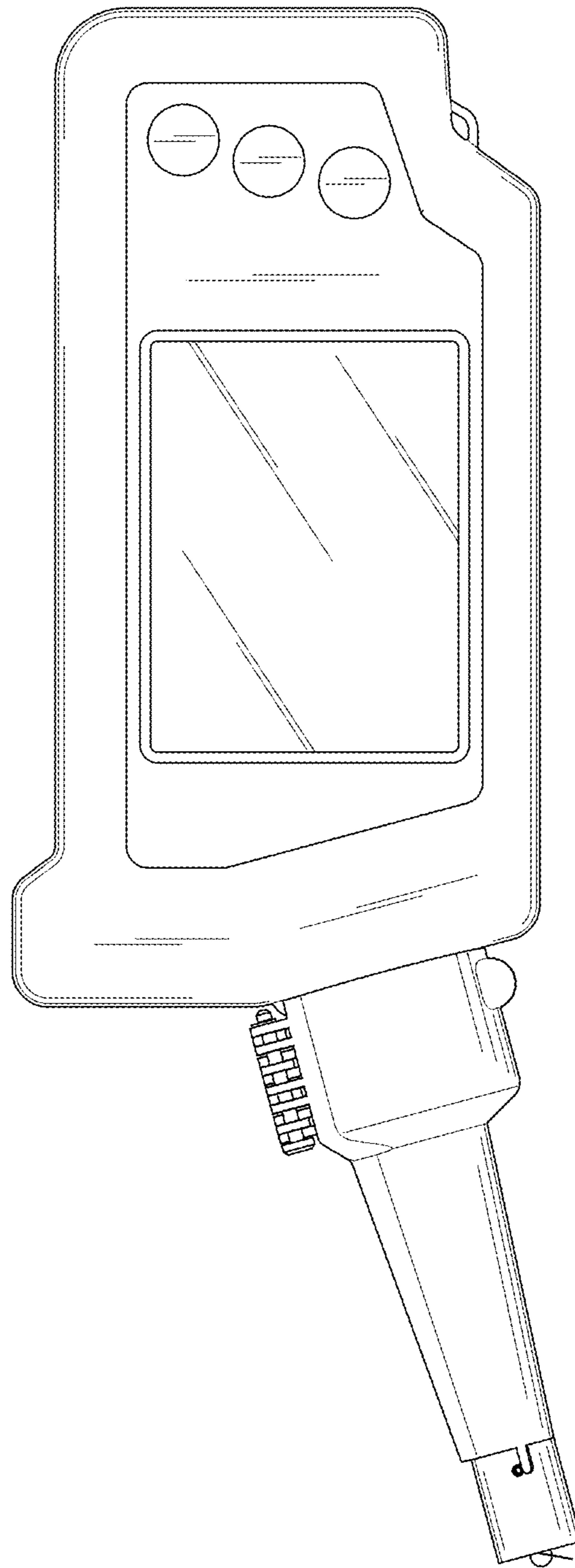


FIG.3

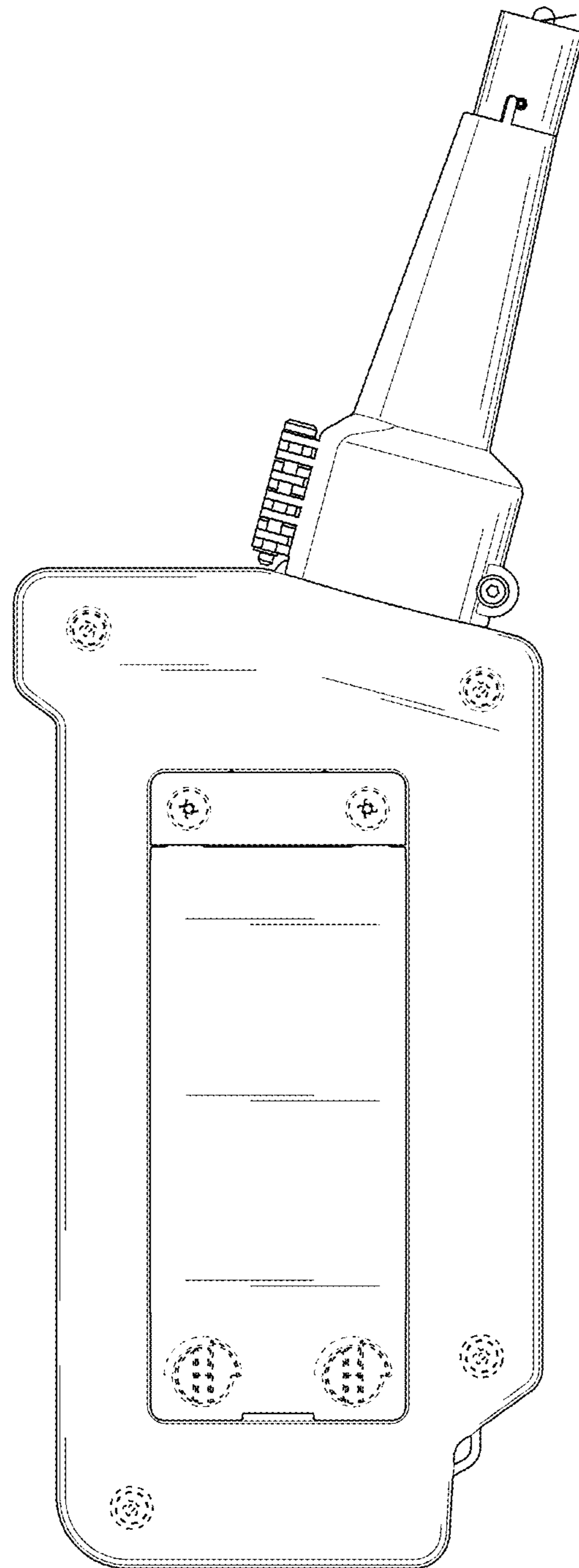


FIG.4

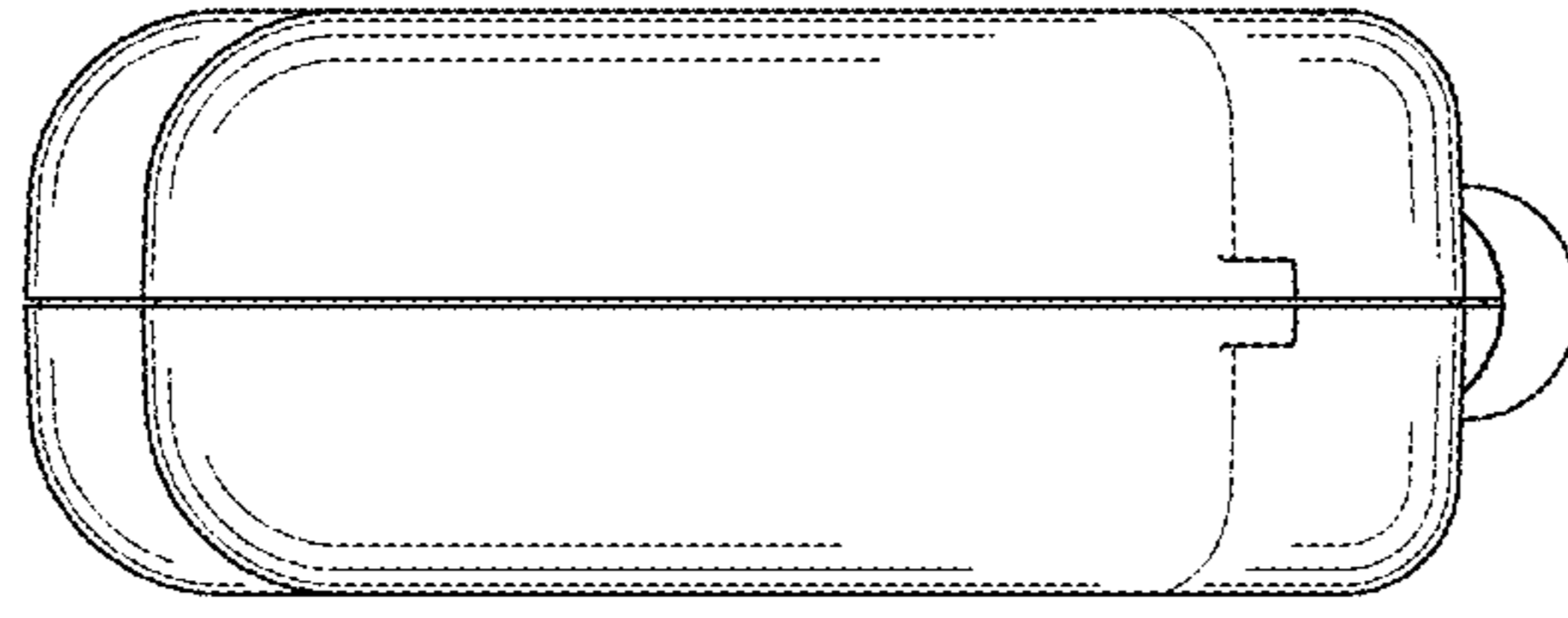


FIG. 5

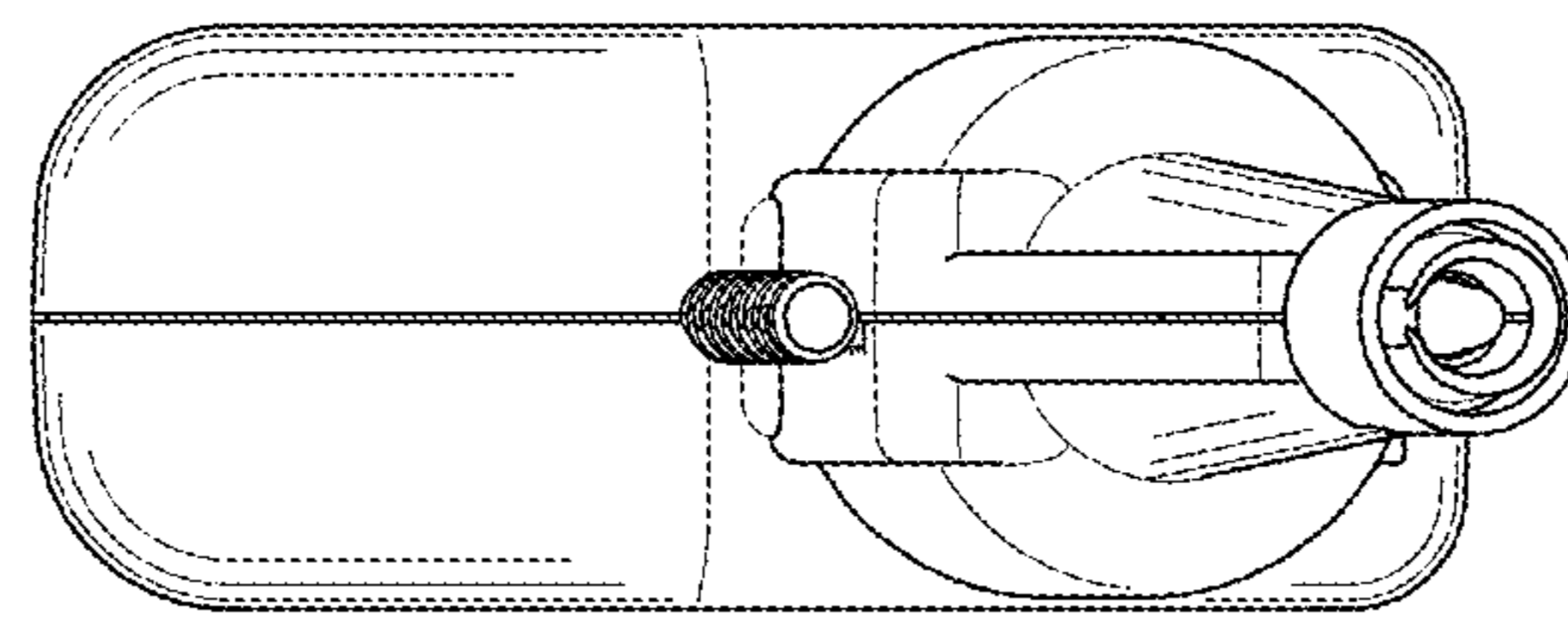


FIG. 6

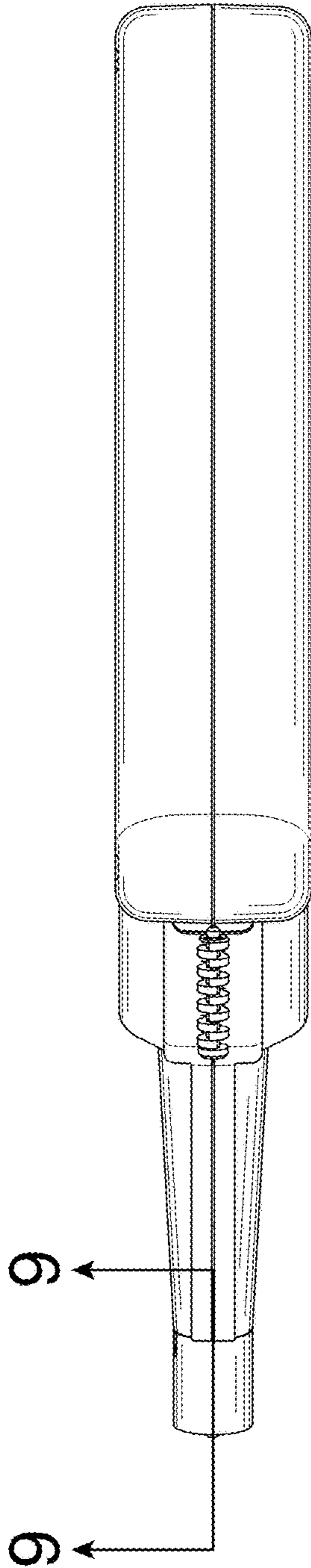


FIG. 7

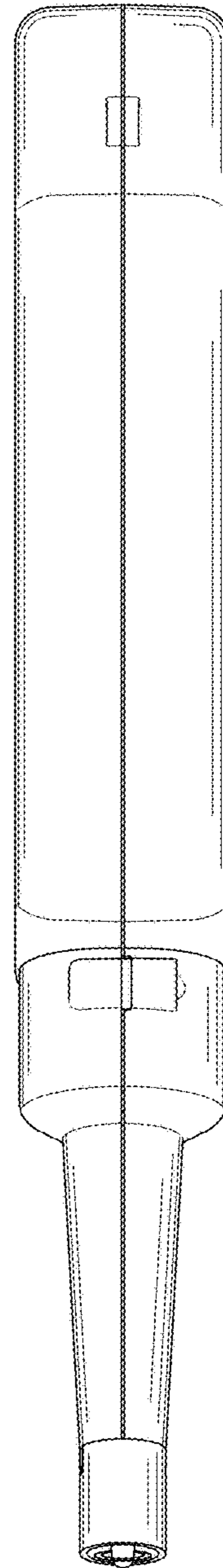


FIG. 8

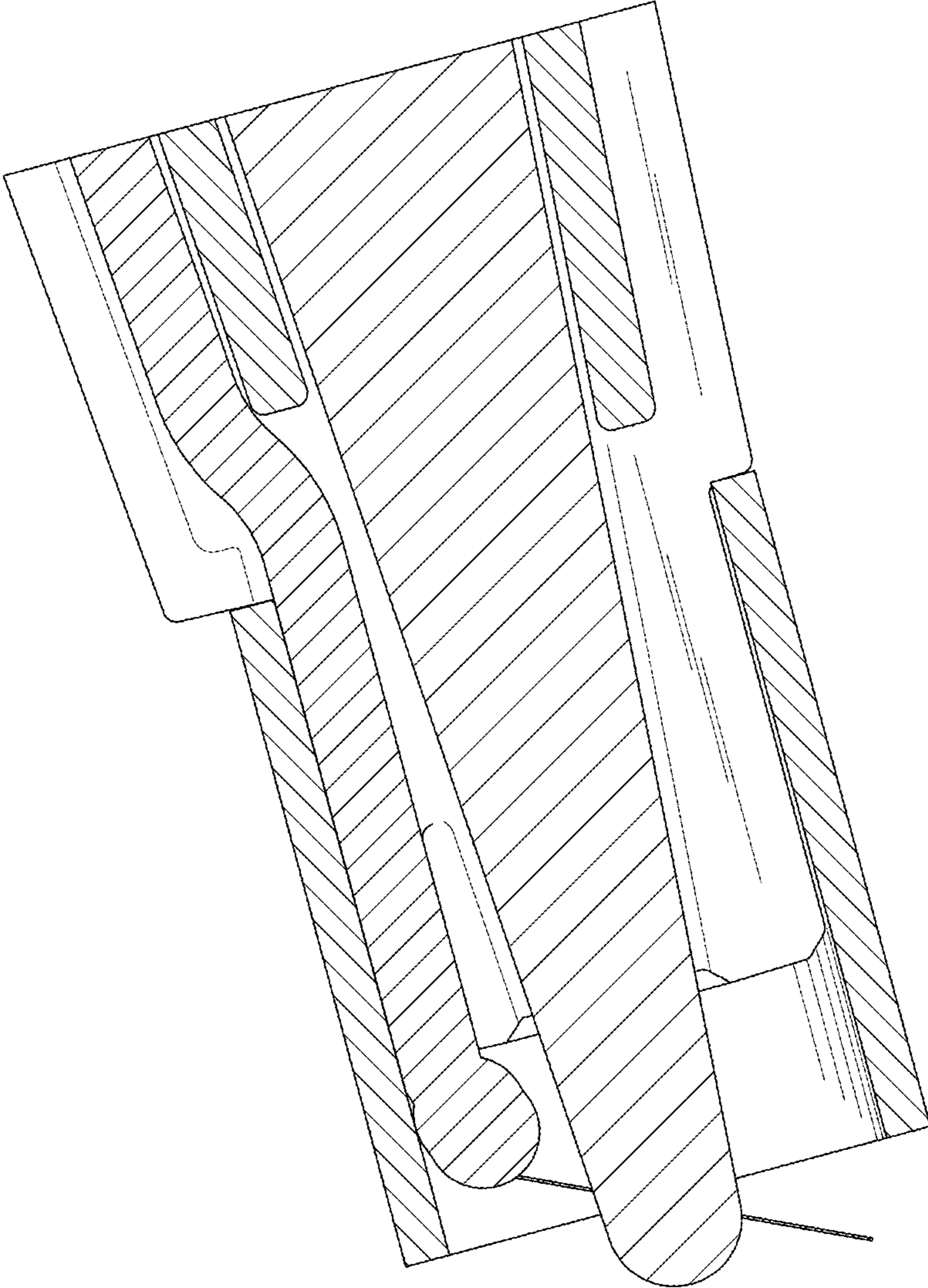


FIG. 9