



US00D827464S

(12) **United States Design Patent**
Hao et al.

(10) **Patent No.:** **US D827,464 S**
(45) **Date of Patent:** **** Sep. 4, 2018**

(54) **AUTO DIAGNOSTIC SCANNER**

G07C 5/0858; G07C 5/0866; G07C
5/0875; G07C 5/0883; G07C 5/0891;
G07C 5/10

(71) Applicant: **AUTOPHIX TECH CO., LTD.**,
Shenzhen, Guangdong (CN)

See application file for complete search history.

(72) Inventors: **Jian Hao**, Guangdong (CN); **Qing
Huang**, Guangdong (CN); **Yutao Zhao**,
Guangdong (CN)

(56) **References Cited**

U.S. PATENT DOCUMENTS

(73) Assignee: **AUTOPHIX TECH CO., LTD.**,
Shenzhen, Guangdong (CN)

D629,318 S * 12/2010 Disch D10/78
7,860,619 B2 * 12/2010 Bertosa G07C 5/0808
340/438
8,600,610 B2 * 12/2013 Bertosa G07C 5/008
701/33.2
9,014,907 B2 * 4/2015 Lipscomb G07C 5/008
701/115
9,646,432 B2 * 5/2017 Madison G07C 5/085
D806,592 S * 1/2018 Protti D10/78
D806,593 S * 1/2018 Sova D10/78

(**) Term: **15 Years**

(21) Appl. No.: **29/601,654**

(22) Filed: **Apr. 25, 2017**

* cited by examiner

(30) **Foreign Application Priority Data**

Oct. 26, 2016 (CN) 2016 3 0525283

Primary Examiner — Antoine Duval Davis
(74) *Attorney, Agent, or Firm* — Ladas & Parry LLP;
Malcolm J. MacDonald

(51) **LOC (11) Cl.** **10-04**

(52) **U.S. Cl.**
USPC **D10/78**

(57) **CLAIM**

The ornamental design for an auto diagnostic scanner, as
shown and described.

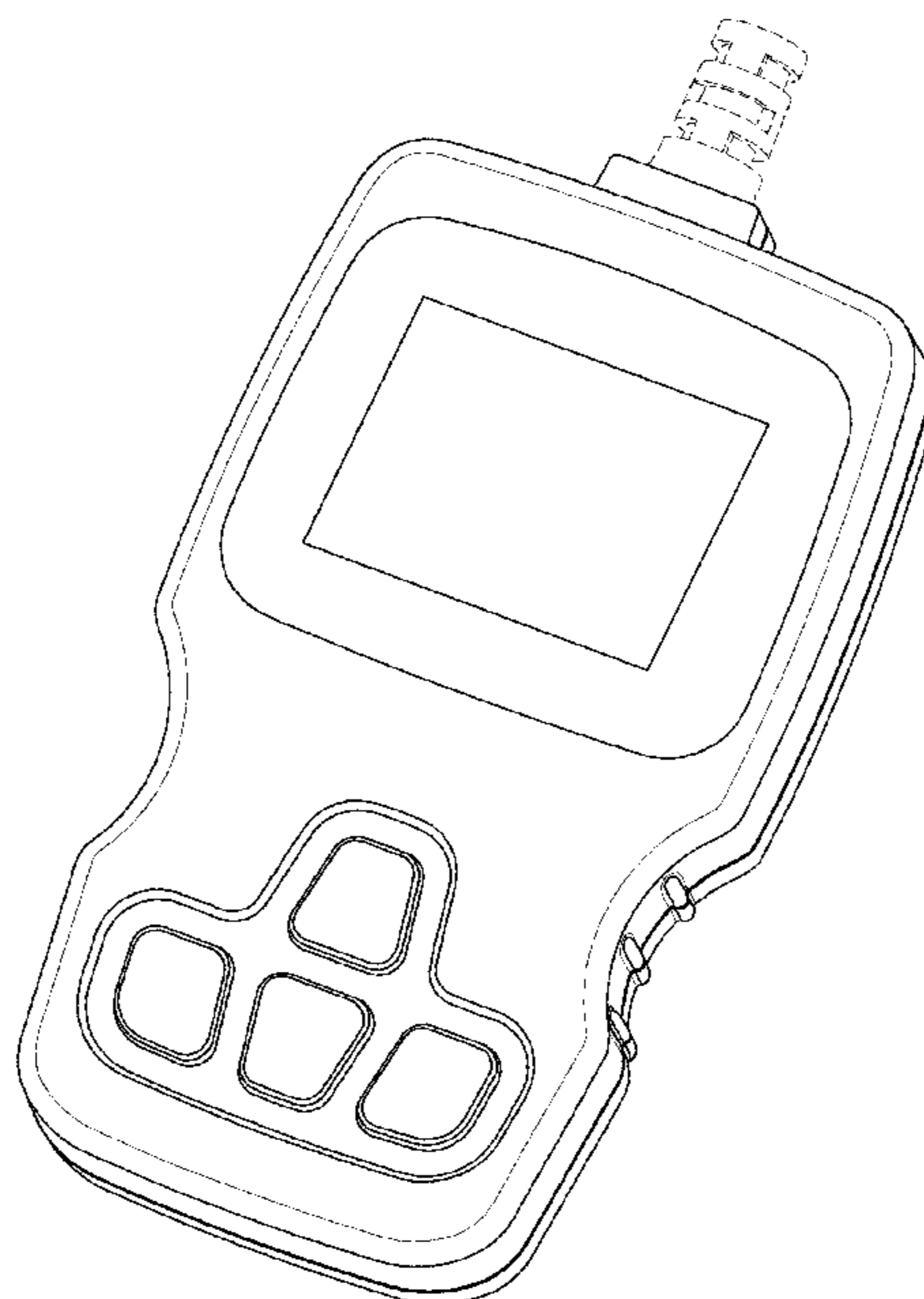
(58) **Field of Classification Search**

USPC D10/78
CPC G01L 19/08; G01L 19/083; G01L 19/086;
G01L 19/10; G01L 19/12; G01L 19/14;
G01L 19/141; G01L 19/142; G01L
19/143; G01L 19/144; G01L 19/45; G01L
19/146; G01L 19/147; G01L 19/148;
G01L 19/149; G01L 19/16; G07C 5/00;
G07C 5/002; G07C 5/004; G07C 5/006;
G07C 5/008; G07C 5/02; G07C 5/04;
G07C 5/06; G07C 5/08; G07C 5/0808;
G07C 5/0816; G07C 5/0825; G07C
5/0833; G07C 5/0841; G07C 5/085;

DESCRIPTION

FIG. 1 is a top front perspective view showing our new
design;
FIG. 2 is a front elevation view thereof.
FIG. 3 is a rear elevation view thereof;
FIG. 4 is a left side elevation view thereof;
FIG. 5 is a right side elevation view thereof;
FIG. 6 is a top plan view thereof; and,
FIG. 7 is a bottom plan view thereof.

1 Claim, 6 Drawing Sheets



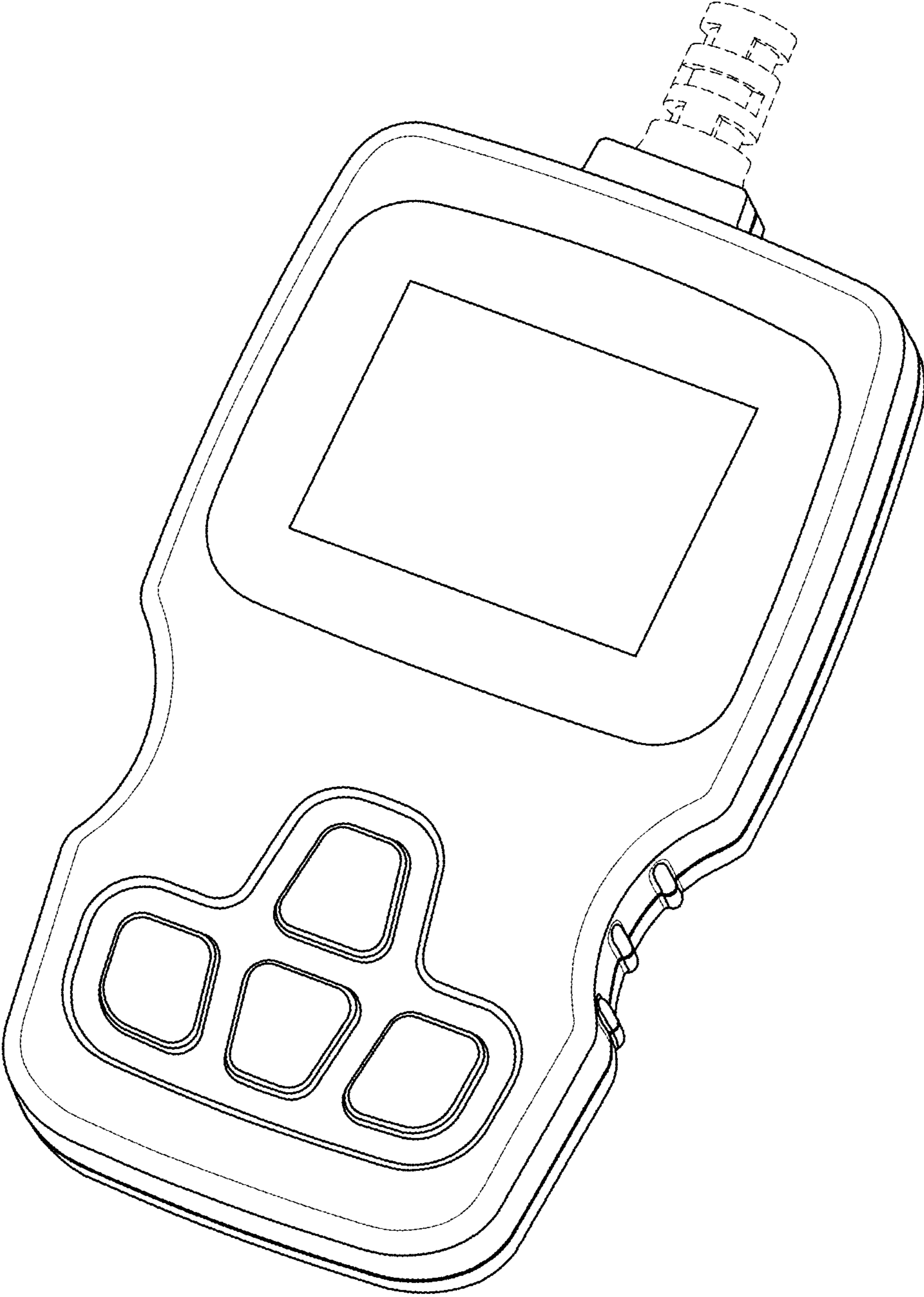


FIG. 1

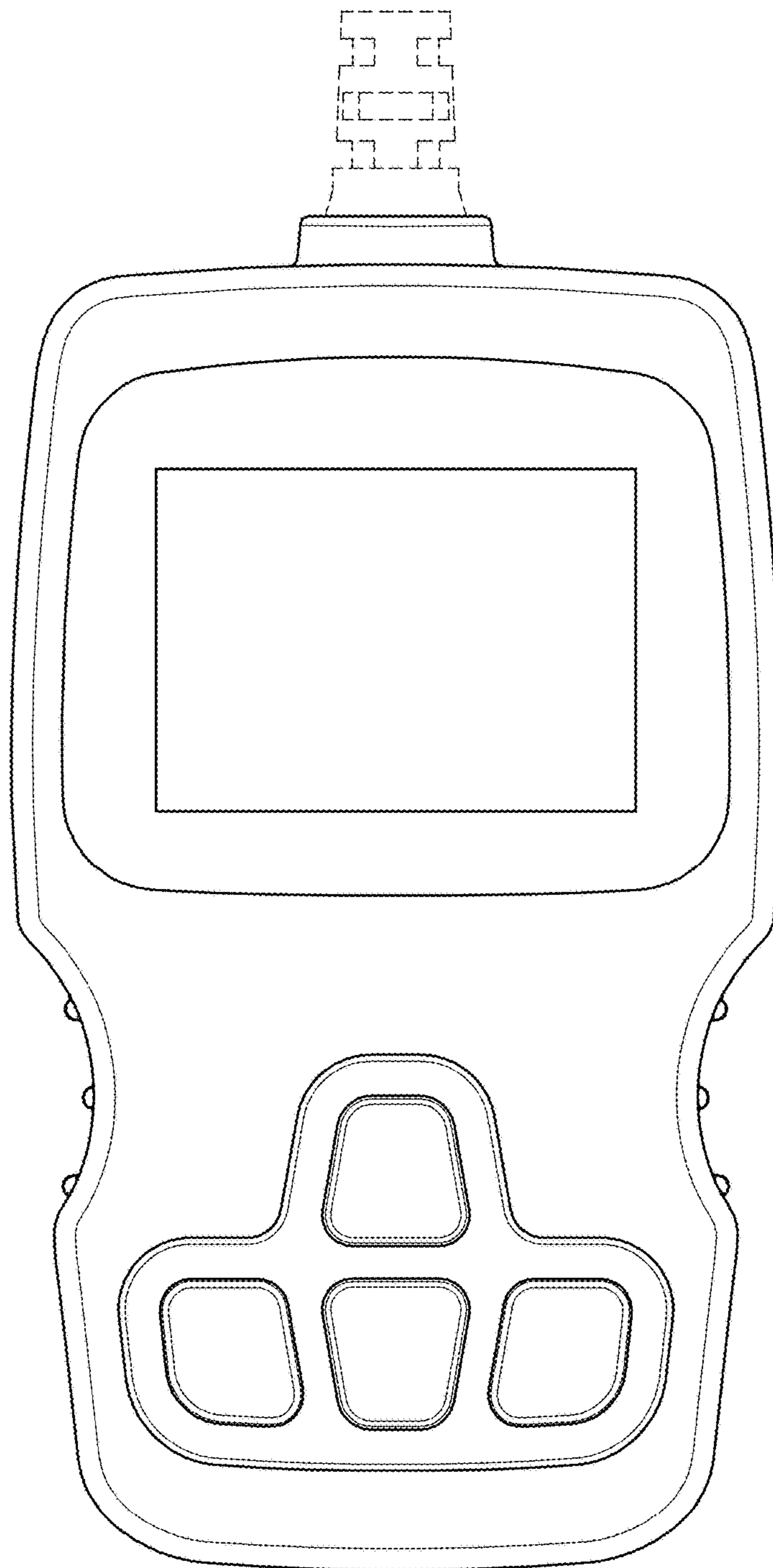


FIG. 2

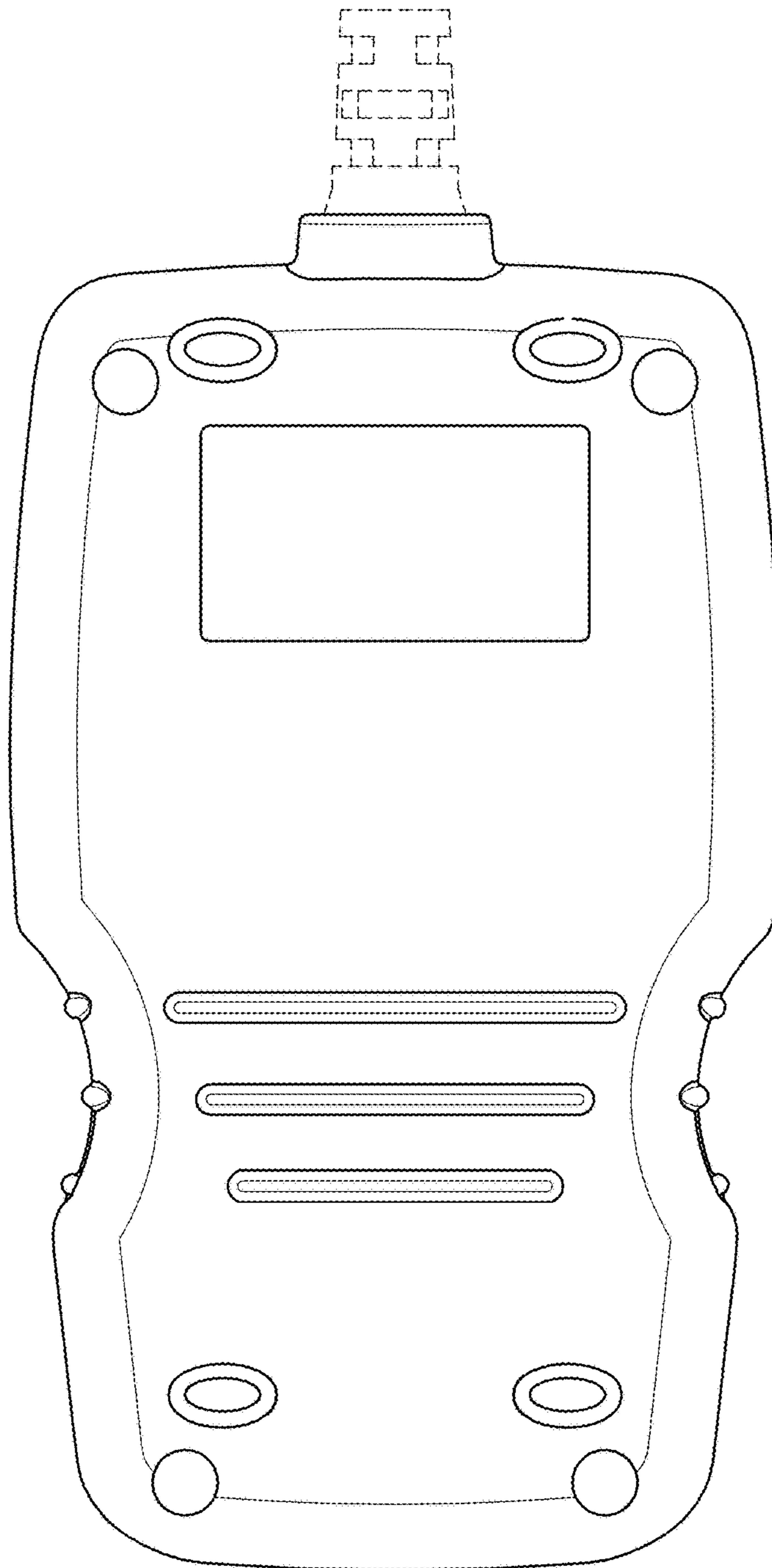


FIG. 3

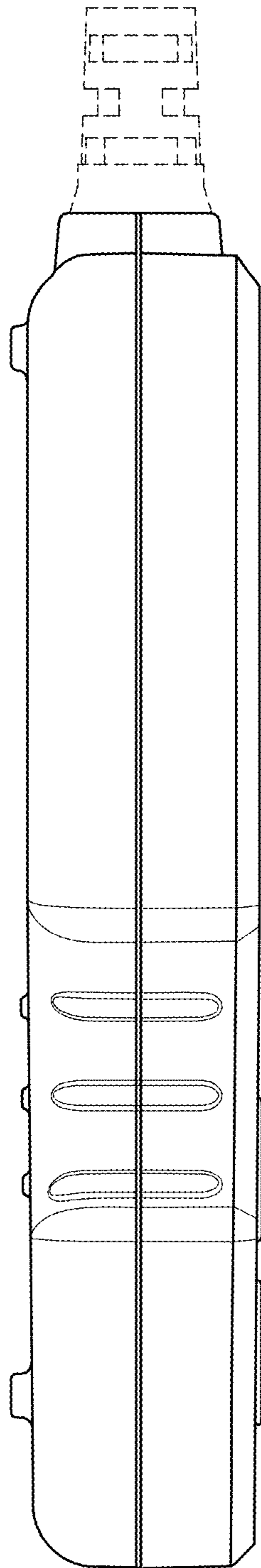


FIG. 4

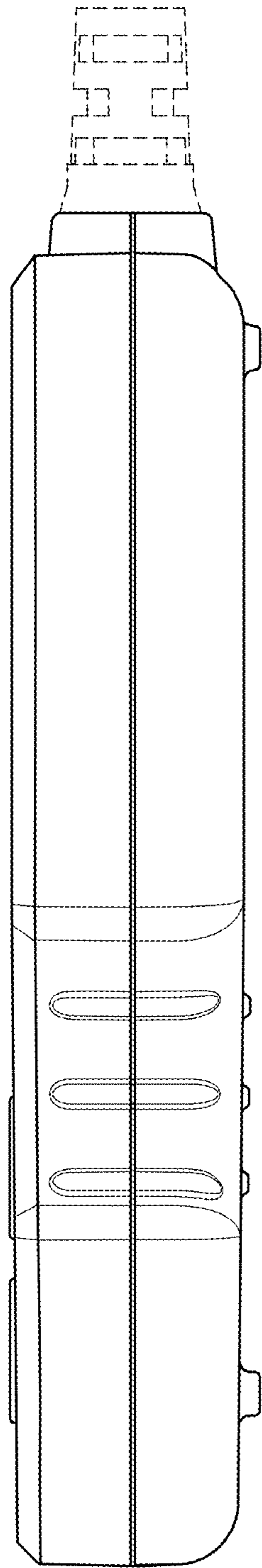


FIG. 5

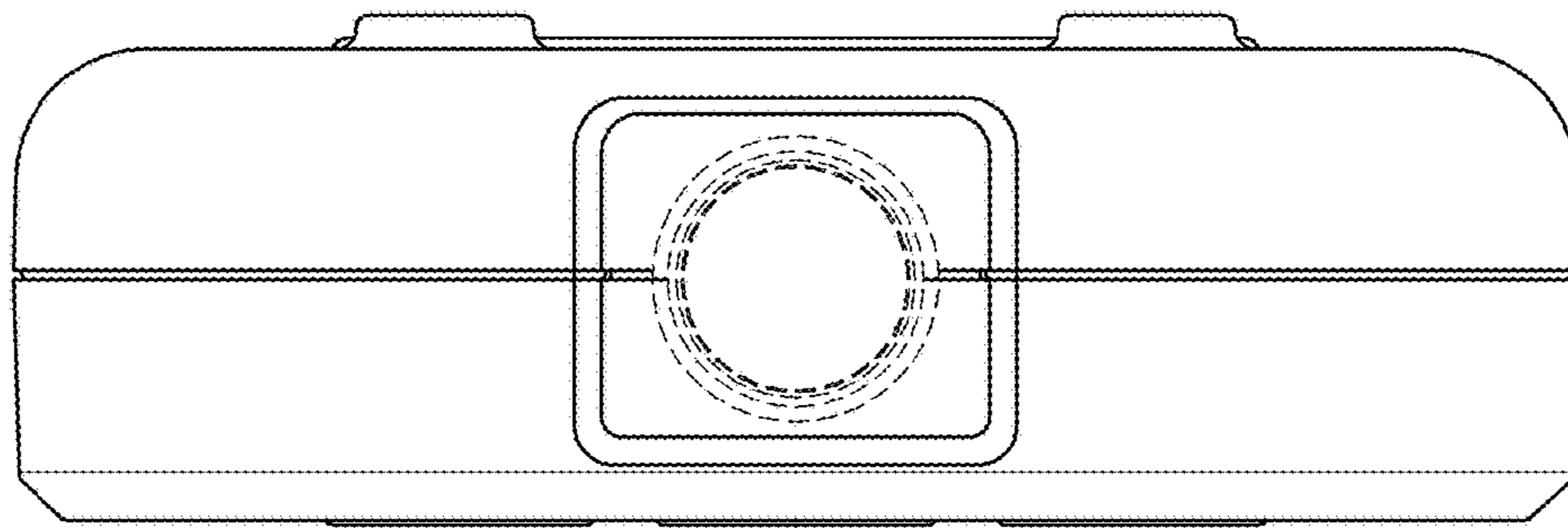


FIG. 6

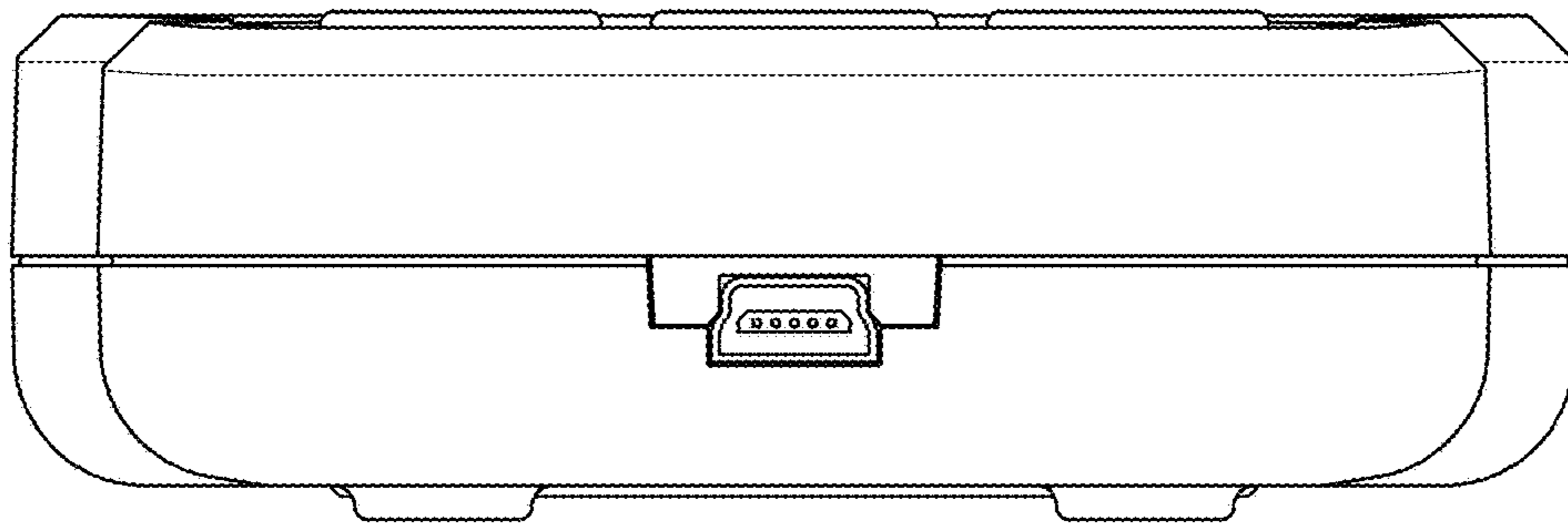


FIG. 7