

US00D827462S

(12) **United States Design Patent**  
**Huang**

(10) **Patent No.:** **US D827,462 S**

(45) **Date of Patent:** **\*\* Sep. 4, 2018**

- (54) **OPTICAL MOTION DETECTOR**
- (71) Applicant: **PHILIO TECHNOLOGY CORPORATION**, New Taipei (TW)
- (72) Inventor: **Cheng-Hung Huang**, New Taipei (TW)
- (73) Assignee: **PHILIO TECHNOLOGY CORPORATION**, New Taipei (TW)
- (\*\*) Term: **15 Years**
- (21) Appl. No.: **29/600,199**
- (22) Filed: **Apr. 10, 2017**
- (51) **LOC (11) Cl.** ..... **10-04**
- (52) **U.S. Cl.**  
USPC ..... **D10/70**
- (58) **Field of Classification Search**  
USPC ..... D10/70  
CPC .. G01P 13/00; G01P 13/0006; G01P 13/0013;  
G01P 13/002; G01P 13/0026; G01P 13/0033;  
G01P 13/004; G01P 13/0046; G01P 13/0053;  
G01P 13/006; G01P 13/0066; G01P 13/0073;  
G01P 13/008; G01P 13/0086; G01P 13/0093; G08B 21/00;  
G08B 21/02; G08B 21/0202; G08B 21/0205;  
G08B 21/0208; G08B 21/0211; G08B 21/0213;  
G08B 21/0216; G08B 21/0219; G08B 21/0222;  
G08B 21/0225; G08B 21/0227; G08B 21/023;  
G08B 21/0233; G08B 21/0236; G08B 21/0238;  
G08B 21/0241; G08B 21/0244; G08B 21/0247;  
G08B 21/025; G08B 21/0252; G08B 21/0258;  
G08B 21/0261; G08B 21/0263; G08B 21/0266;  
G08B 21/0269; G08B 21/0272; G08B 21/0275;  
G08B 21/0277; G08B 21/028; G08B 21/0283;  
G08B 21/0286; G08B 21/0288; G08B 21/0291;  
G08B 21/0194; G08B 21/0297; G08B 21/04;  
G08B 21/0407; G08B 21/0415; G08B 21/0423;  
G08B 21/043; G08B 21/0438; G08B 21/0446;  
G08B 21/0453; G08B 21/0461; G08B

21/0469; G08B 21/0476; G08B 21/0484;  
G08B 21/0492; G08B 21/06; G08B 21/08;  
G08B 21/082; G08B 21/084; G08B 21/086;  
G08B 21/088; G08B 21/10; G08B 21/12;  
G08B 21/14; G08B 21/16; G08B 21/18;  
G08B 21/182; G08B 21/185; G08B 21/187;  
G08B 21/20; G08B 21/22; G08B 21/24;  
G08B 21/245; G08B 23/00; G08B 13/00;  
G08B 13/02; G08B 13/04; G08B 13/06;  
G08B 13/08; G08B 13/10; G08B 13/12;  
G08B 13/122; G08B 13/124; G08B 13/126;  
G08B 13/028; G08B 13/14; G08B 13/1409;  
G08B 13/1418; G08B 13/1427; G08B 13/1436;  
G08B 13/1445; G08B 13/1454; G08B 13/1463;  
G08B 13/1472;

(Continued)

(56) **References Cited**

U.S. PATENT DOCUMENTS

9,355,537 B2 \* 5/2016 Maddox ..... G08B 13/1895  
9,711,018 B2 \* 7/2017 Messiou ..... G08B 13/193

\* cited by examiner

*Primary Examiner* — Antoine Duval Davis

(57) **CLAIM**

The ornamental design for optical motion detector, as shown.

**DESCRIPTION**

FIG. 1 is a top perspective view of an optical motion detector showing my new design;  
FIG. 2 is a front elevational view thereof;  
FIG. 3 is a rear elevational view thereof;  
FIG. 4 is a left side elevational view thereof;  
FIG. 5 is a right side elevational view thereof;  
FIG. 6 is a top plan view thereof;  
FIG. 7 is a bottom plan view thereof; and,

(Continued)

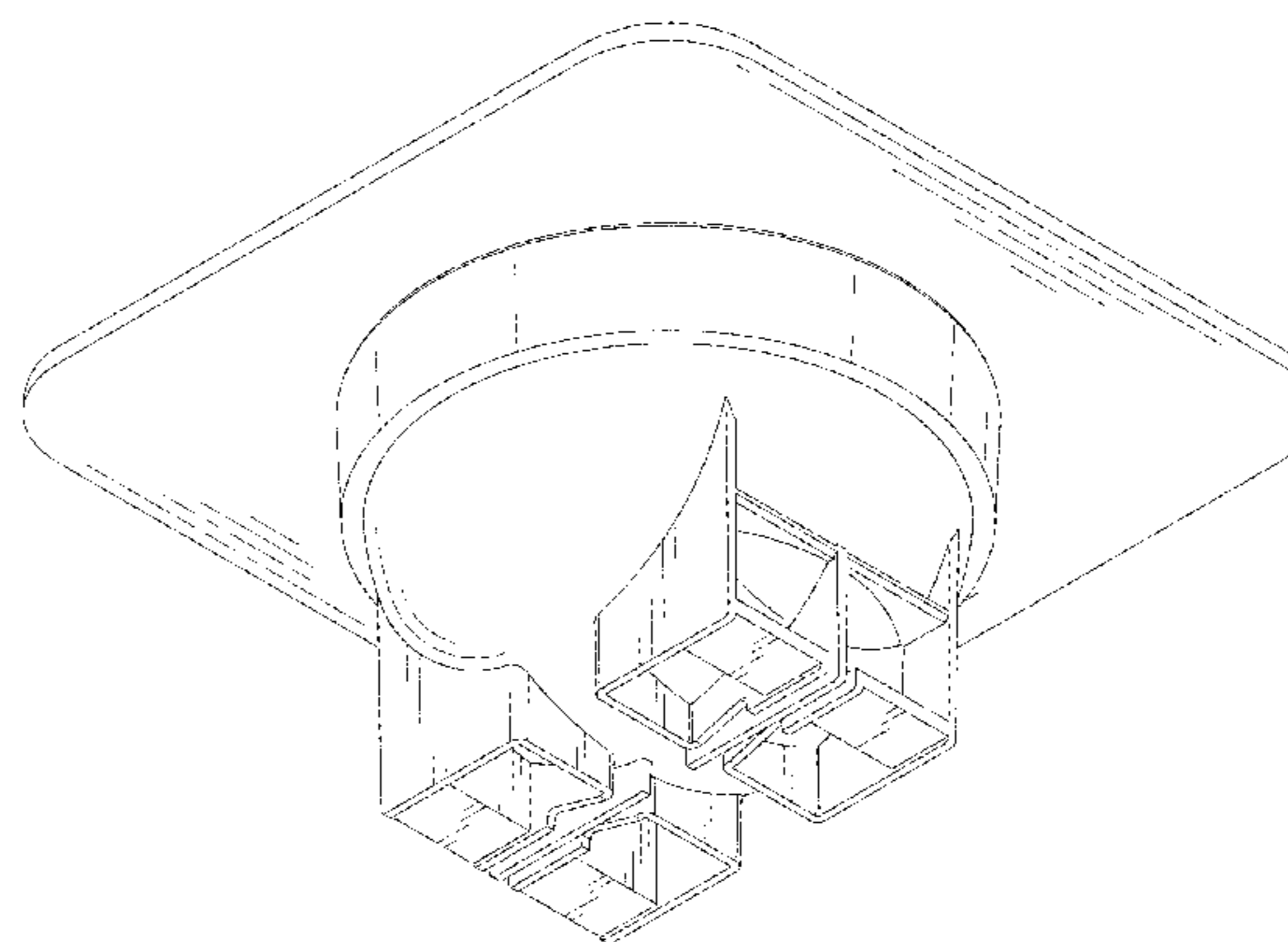
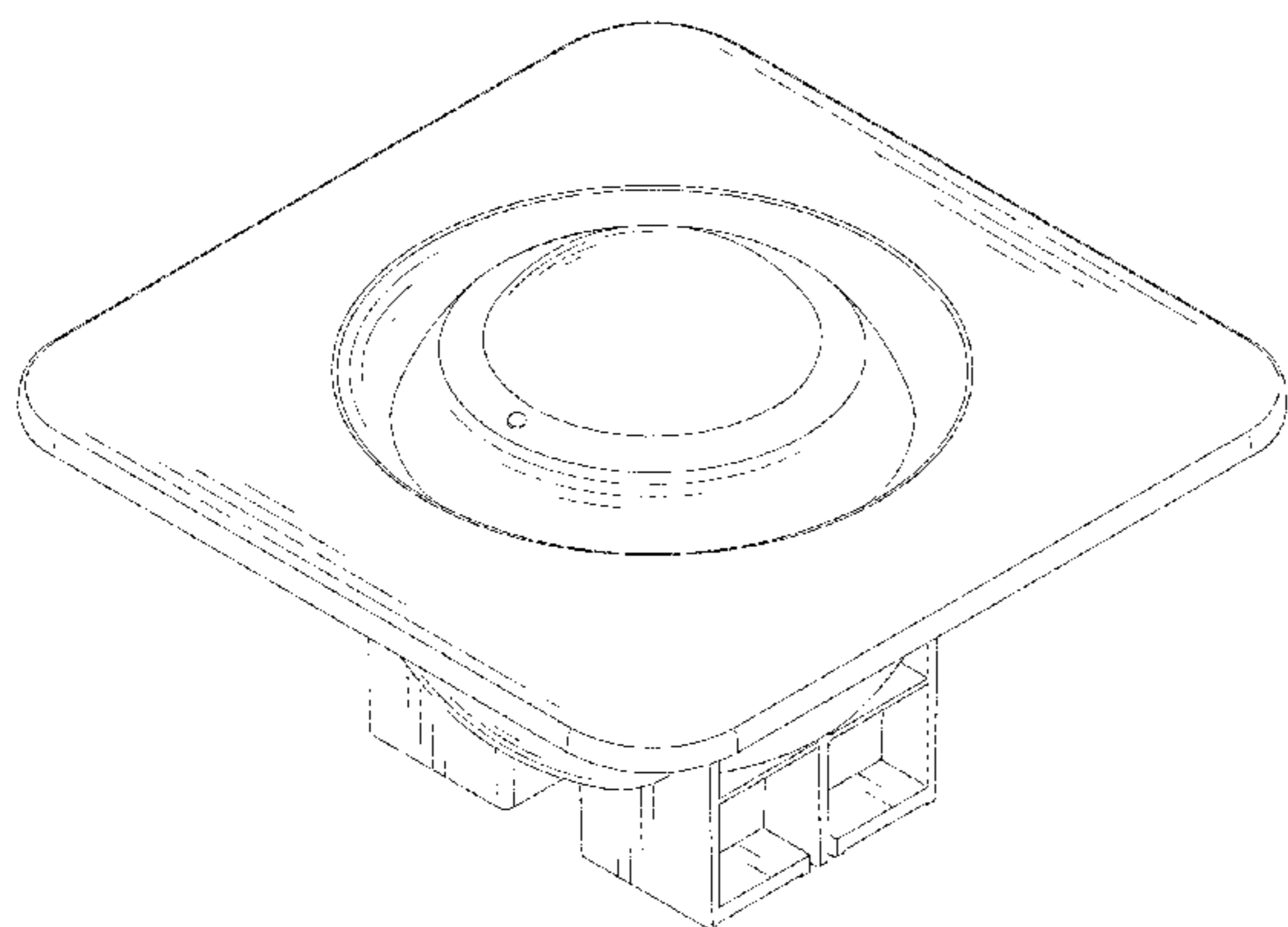


FIG. 8 is a bottom perspective view of an optical motion detector thereof.

**1 Claim, 8 Drawing Sheets**

**(58) Field of Classification Search**

CPC .. G08B 13/1481; G08B 13/149; G08B 13/16;  
G08B 13/1609; G08B 13/1618; G08B  
13/1627; G08B 13/1636; G08B 13/1645;  
G08B 13/1654; G08B 13/1663; G08B  
13/1672; G08B 13/1681; G08B 13/169;  
G08B 13/18; G08B 13/181; G08B  
13/183; G08B 13/184; G08B 13/186;  
G08B 13/187; G08B 13/189; G08B  
13/1895; G08B 13/19; G08B 13/191;  
G08B 13/193; G08B 13/194; G08B  
13/196; G08B 13/19602; G08B 13/19604;  
G08B 13/19606; G08B 13/19608; G08B  
13/1961; G08B 13/19613; G08B  
13/19615; G08B 13/19617; G08B  
13/19619; G08B 13/19621; G08B  
13/19623; G08B 13/19626; G08B  
13/19628; G08B 13/1963; G08B  
13/19632; G08B 13/19634; G08B  
13/19636; G08B 13/19639; G08B  
13/19641; G08B 13/19643; G08B  
13/19645; G08B 13/19647; G08B

13/1965; G08B 13/19652; G08B  
13/19654; G08B 13/19656; G08B  
13/19658; G08B 13/1966; G08B  
13/19663; G08B 13/19665; G08B  
13/19667; G08B 13/19669; G08B  
13/19671; G08B 13/19673; G08B  
13/19676; G08B 13/19678; G08B  
13/1968; G08B 13/19682; G08B  
13/19684; G08B 13/19686; G08B  
13/19689; G08B 13/19691; G08B  
13/19693; G08B 13/19695; G08B  
13/19697; G08B 13/20; G08B 13/22;  
G08B 13/24; G08B 13/2402; G08B  
13/2405; G08B 13/2408; G08B 13/2411;  
G08B 13/2414; G08B 13/2417; G08B  
13/242; G08B 13/2422; G08B 13/2425;  
G08B 13/2428; G08B 13/2431; G08B  
13/2434; G08B 13/2437; G08B 13/244;  
G08B 13/2442; G08B 13/2445; G08B  
13/2448; G08B 13/2451; G08B 13/2454;  
G08B 13/2457; G08B 13/246; G08B  
13/2462; G08B 13/2465; G08B 13/2468;  
G08B 13/2471; G08B 13/2474; G08B  
13/2477; G08B 13/248; G08B 13/2482;  
G08B 13/2485; G08B 23/2488; G08B  
13/2491; G08B 13/2494; G08B 13/2497;  
G08B 13/26; G08B 13/128

See application file for complete search history.

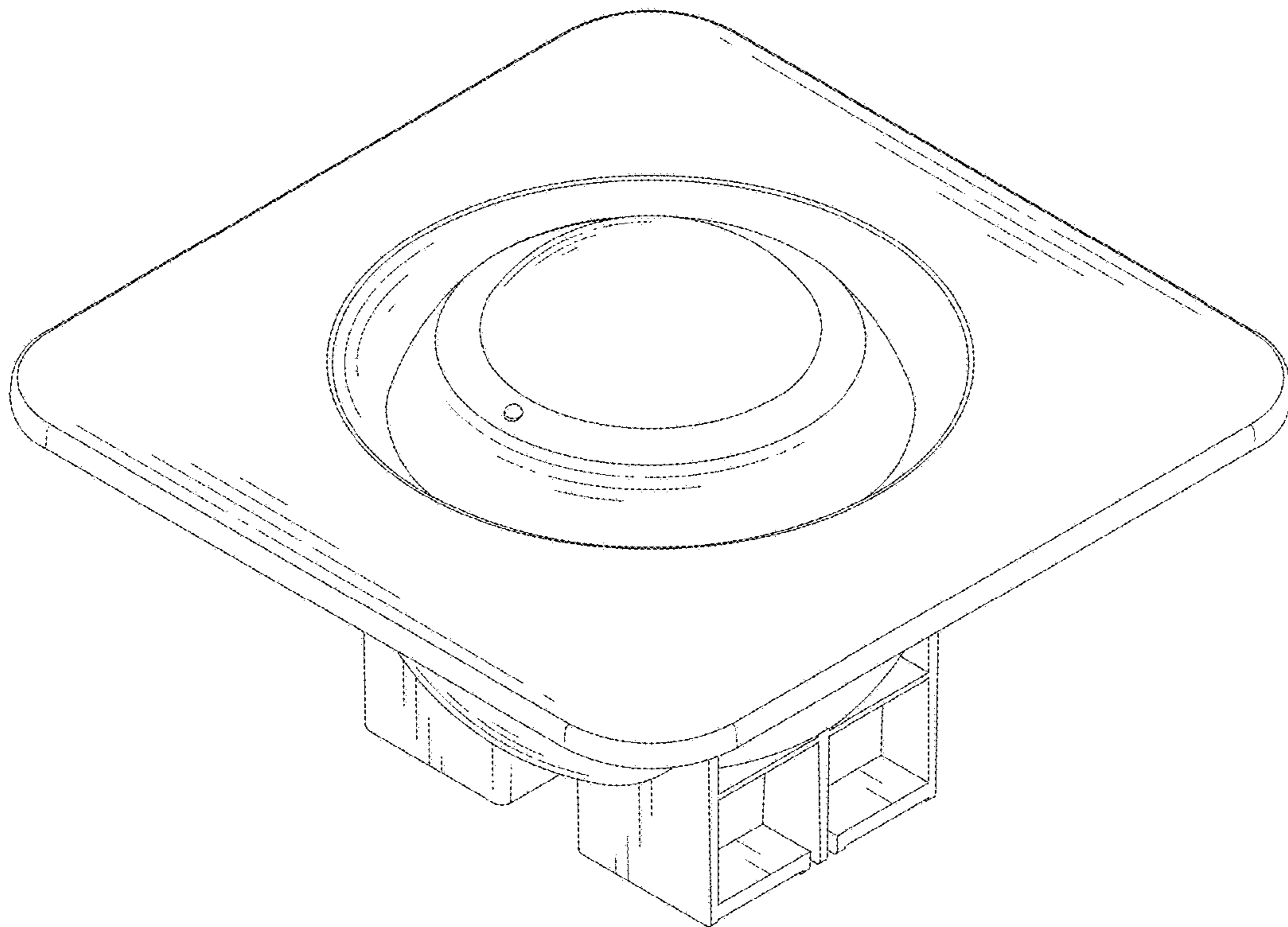


Fig.1

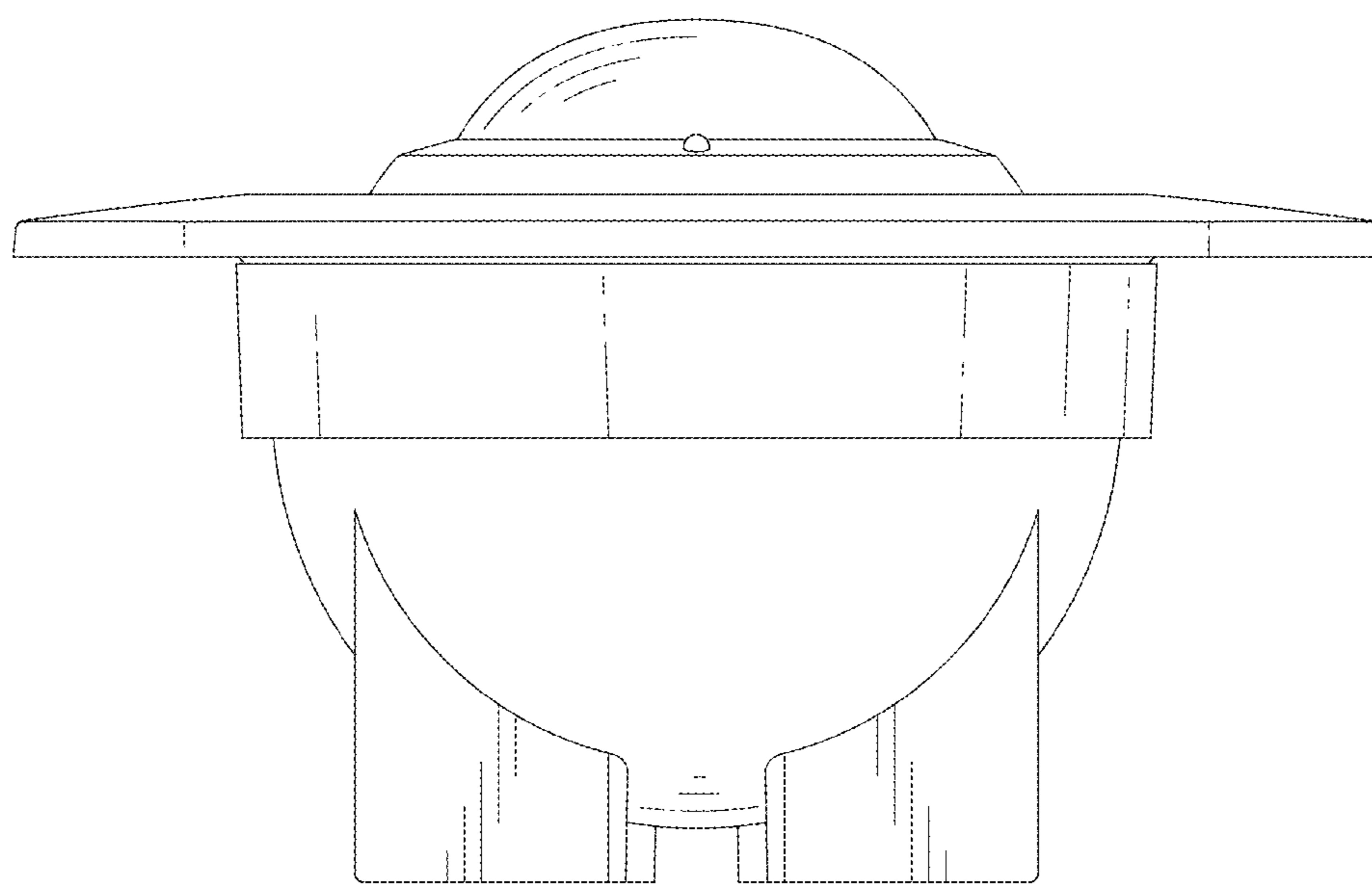


Fig.2

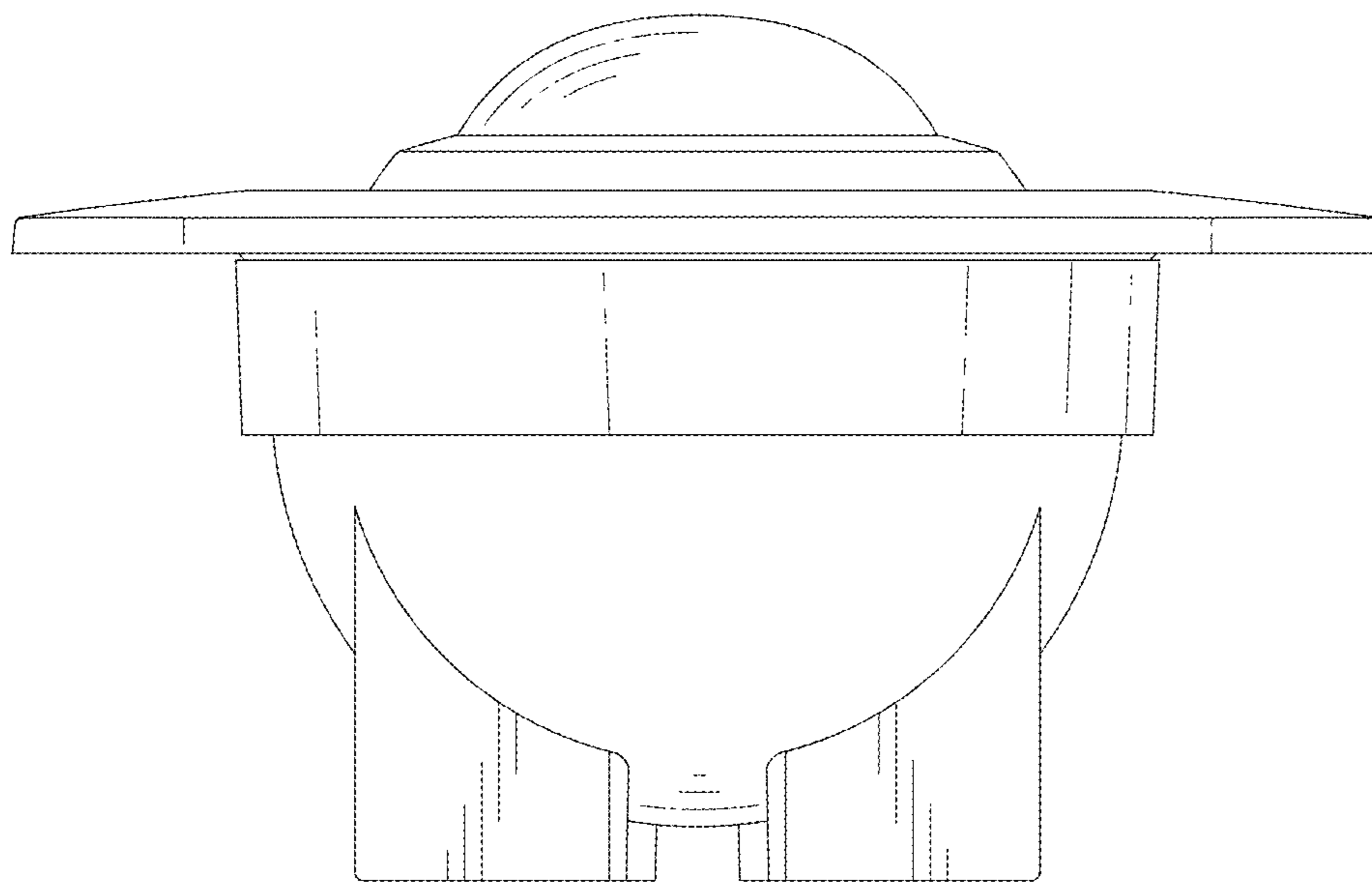


Fig.3

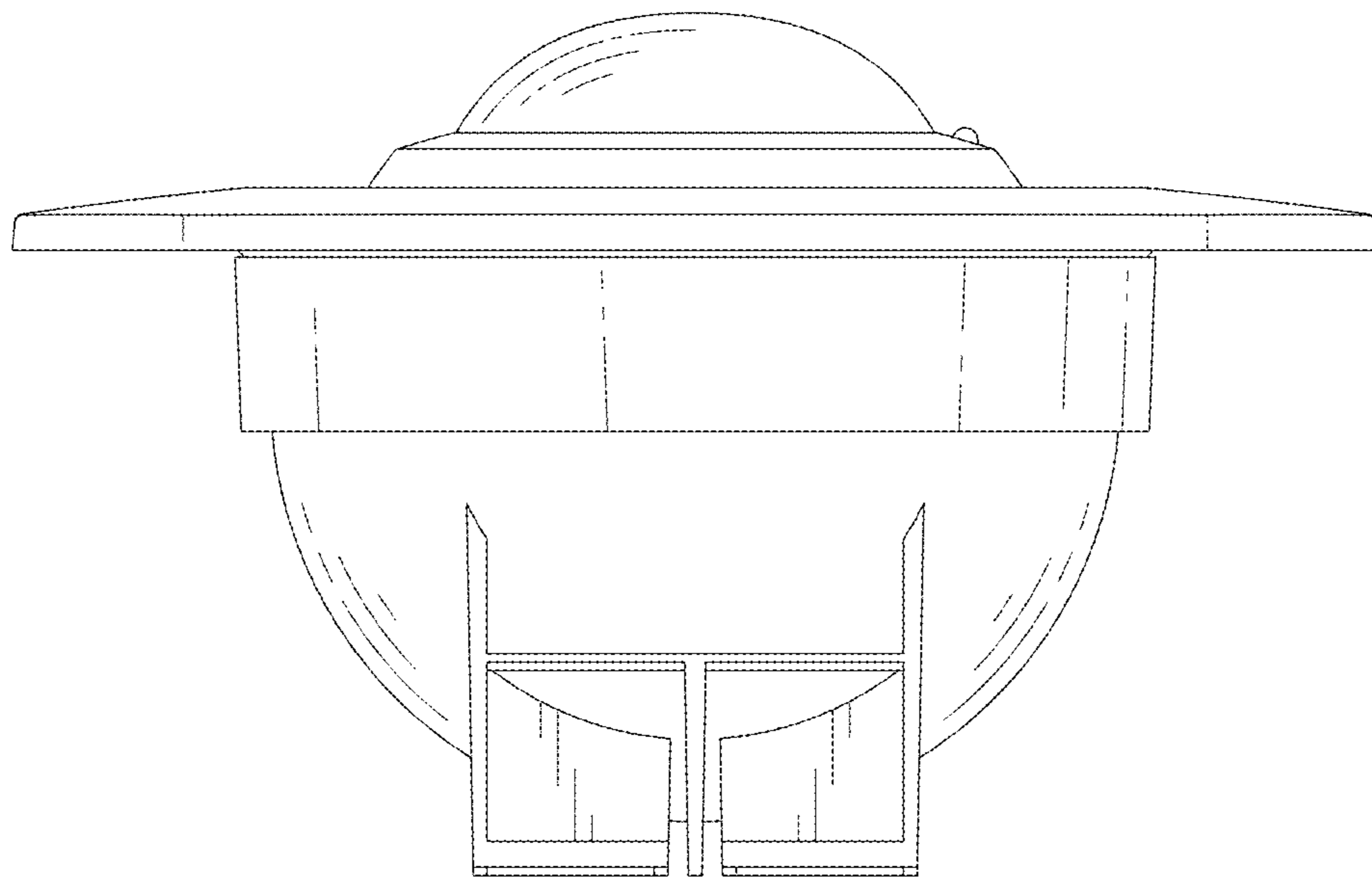


Fig.4

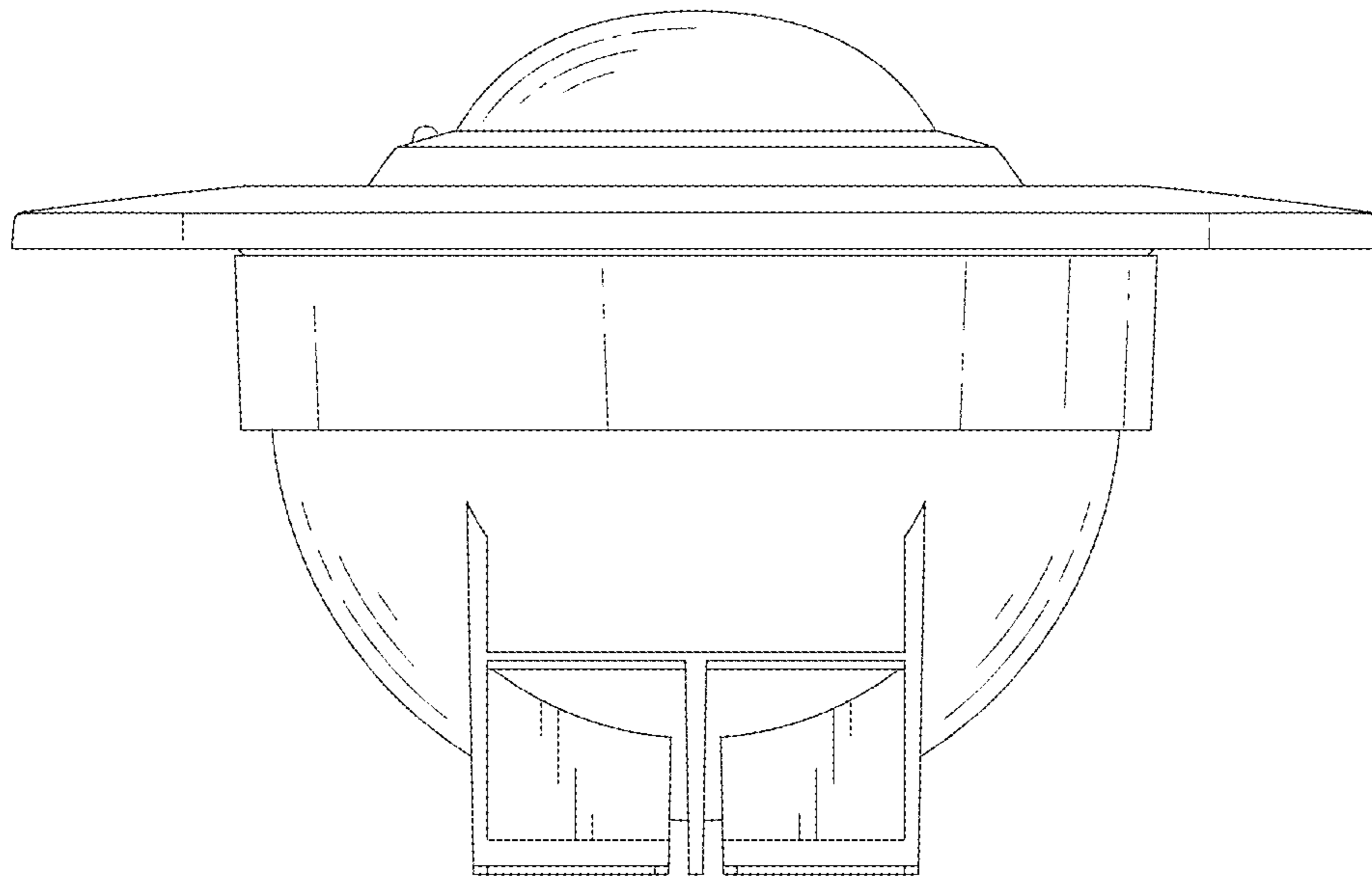


Fig.5

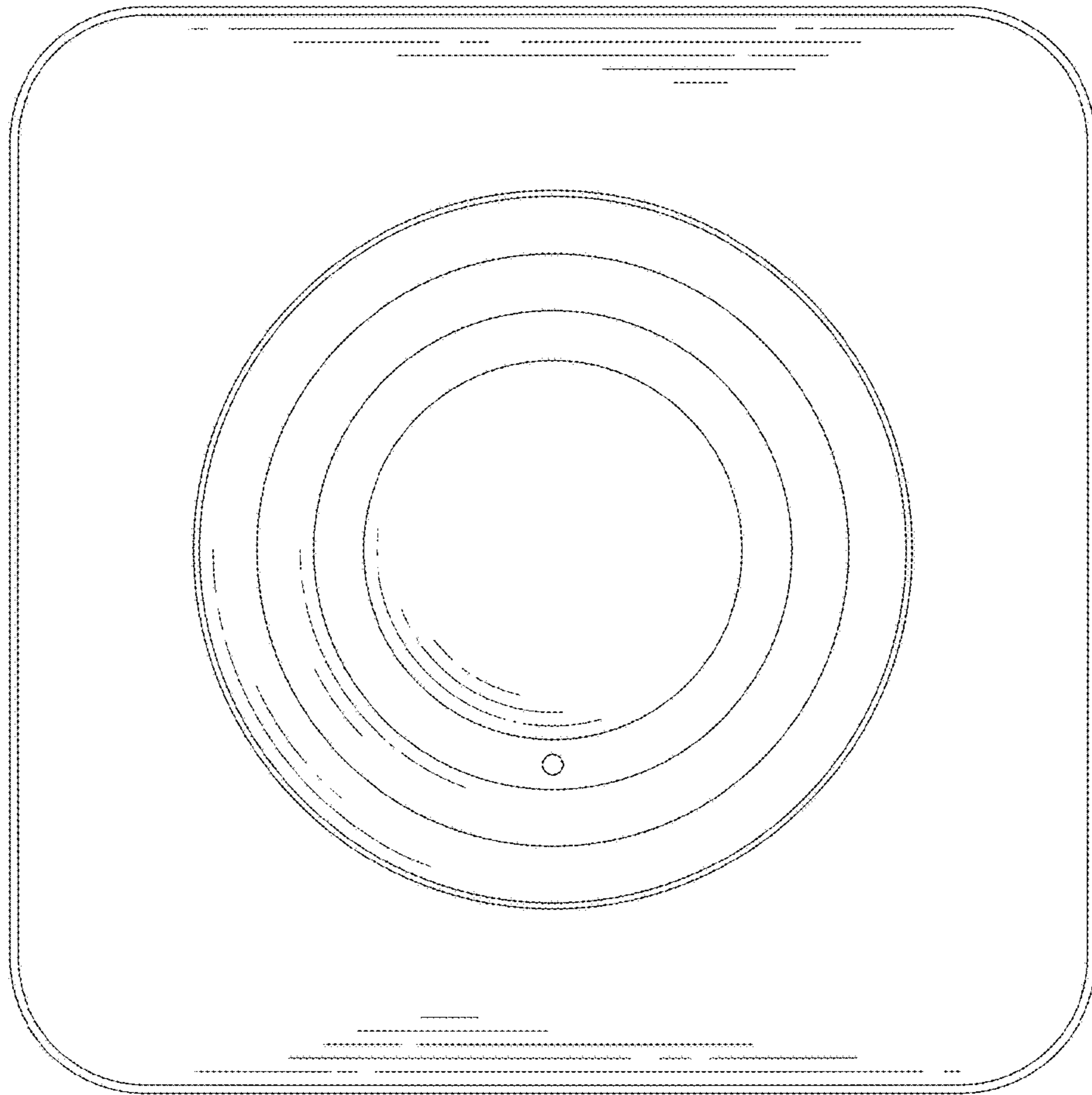


Fig.6



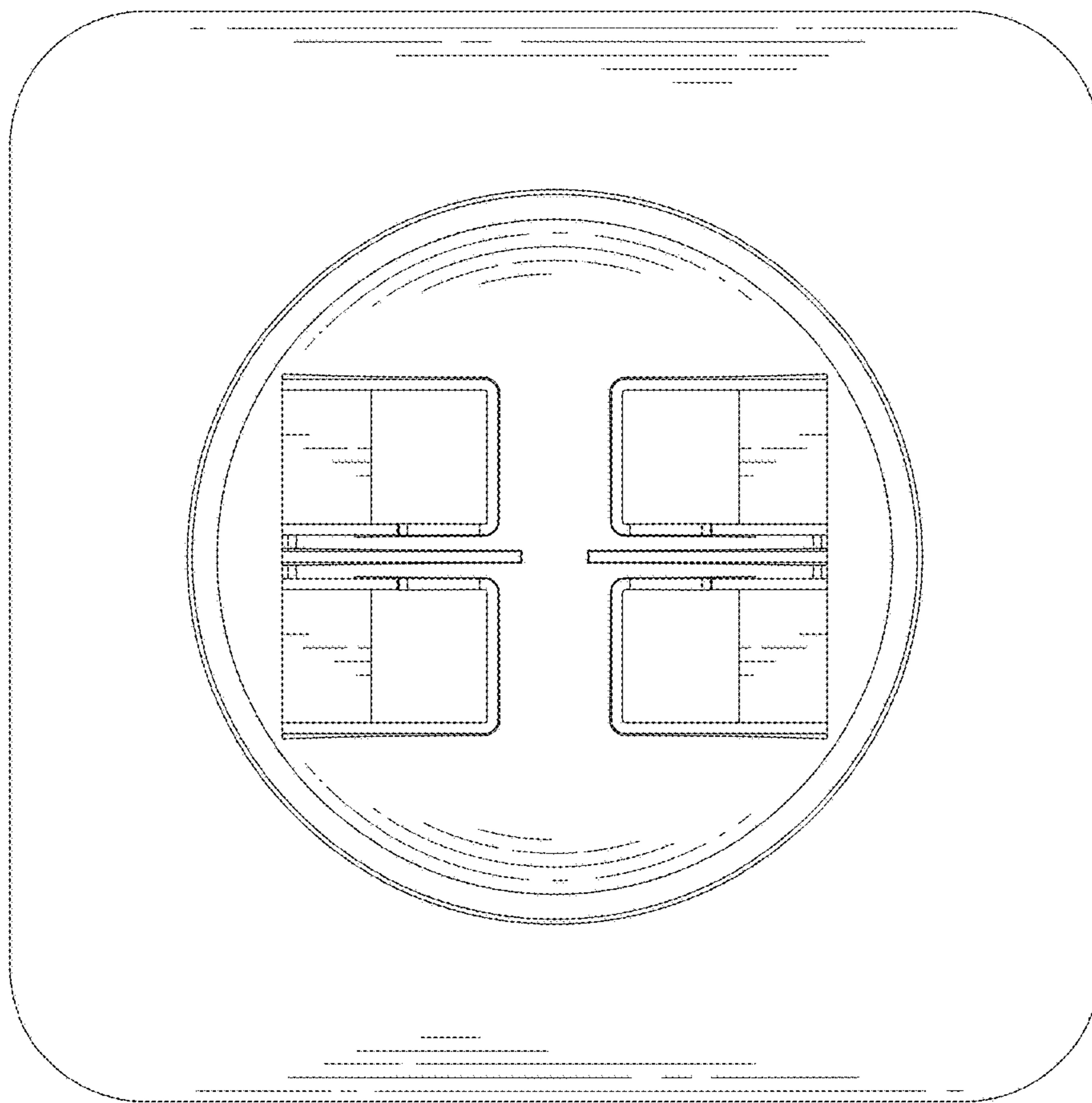


Fig.7

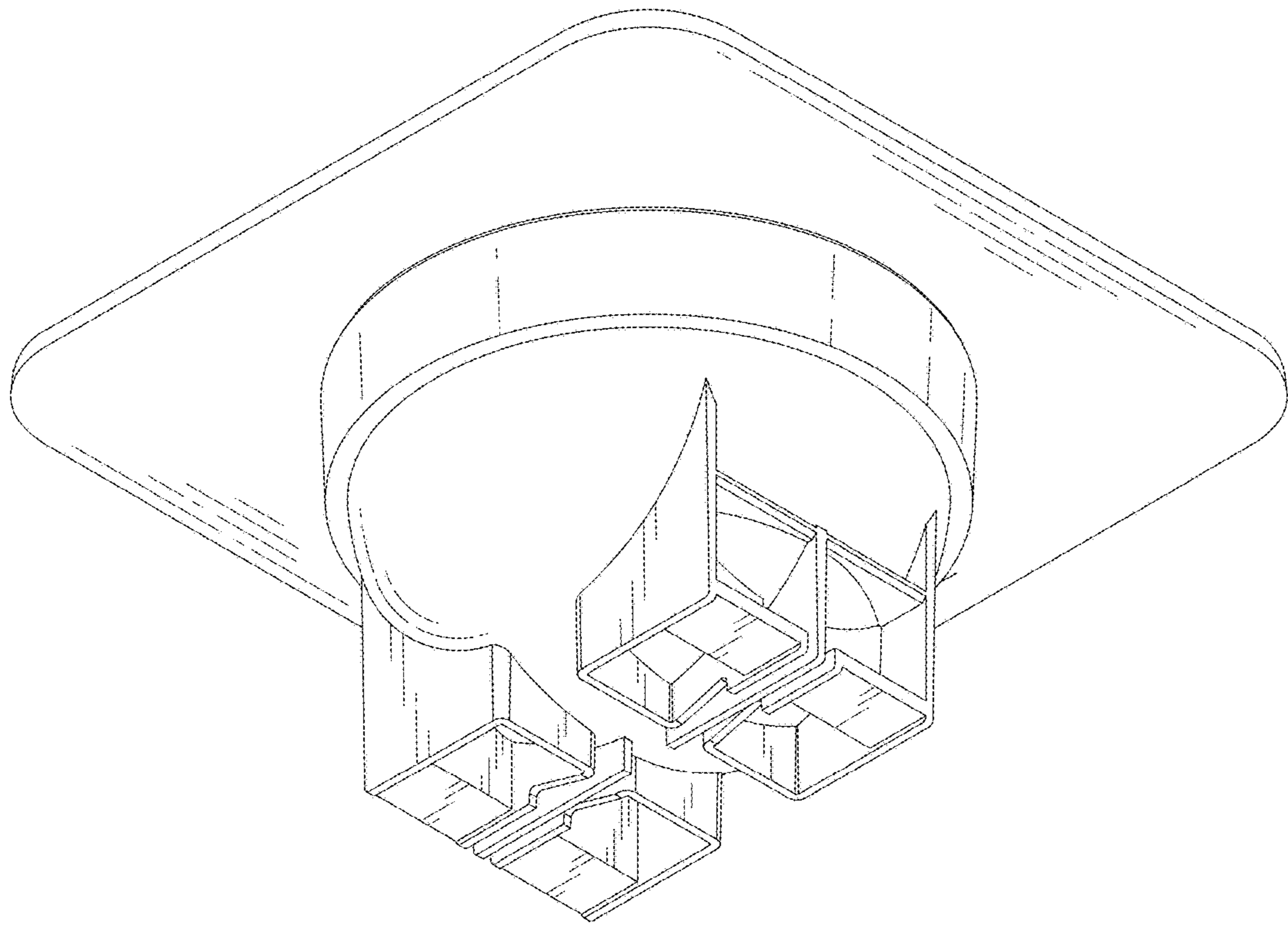


Fig.8