



US00D827461S

(12) **United States Design Patent** (10) **Patent No.:** **US D827,461 S**  
**Doeren** (45) **Date of Patent:** **\*\* Sep. 4, 2018**

- (54) **LASER ALIGNMENT GUIDE**
- (71) Applicant: **Paul Joseph Doeren**, St. Charles, MO (US)
- (72) Inventor: **Paul Joseph Doeren**, St. Charles, MO (US)
- (\*\*) Term: **15 Years**
- (21) Appl. No.: **29/605,358**
- (22) Filed: **May 25, 2017**
- (51) **LOC (11) Cl.** ..... **10-04**
- (52) **U.S. Cl.**  
USPC ..... **D10/65; D10/70**
- (58) **Field of Classification Search**  
USPC ..... D10/65, 66, 69, 70  
CPC .... G01C 15/00; G01C 15/002; G01C 15/004;  
G01C 15/006; G01C 3/00; G01C 3/02;  
G01C 3/04; G01C 3/06; G01C 3/08;  
G01C 3/085; G01C 5/00; Y10S 33/21  
See application file for complete search history.

- (56) **References Cited**  
U.S. PATENT DOCUMENTS  
D330,910 S \* 11/1992 Warburton ..... D10/69  
5,365,669 A \* 11/1994 Rustick ..... F41A 33/02  
33/DIG. 21  
D376,111 S \* 12/1996 Ishii ..... D10/66  
7,793,423 B2 \* 9/2010 Loftis ..... F16L 1/10  
33/286  
9,080,864 B1 \* 7/2015 McCarthy ..... G01C 15/004

- D739,272 S \* 9/2015 Peterson ..... D10/69
- D756,813 S \* 5/2016 Ueland ..... D10/65
- 2005/0060901 A1 3/2005 Cook
- 2008/0065348 A1 3/2008 Dowd
- 2012/0117813 A1 5/2012 Stevenson et al.
- 2012/0297635 A1 11/2012 Mickow
- 2013/0077081 A1 3/2013 Lin
- 2014/0115907 A1 5/2014 Gamon

\* cited by examiner

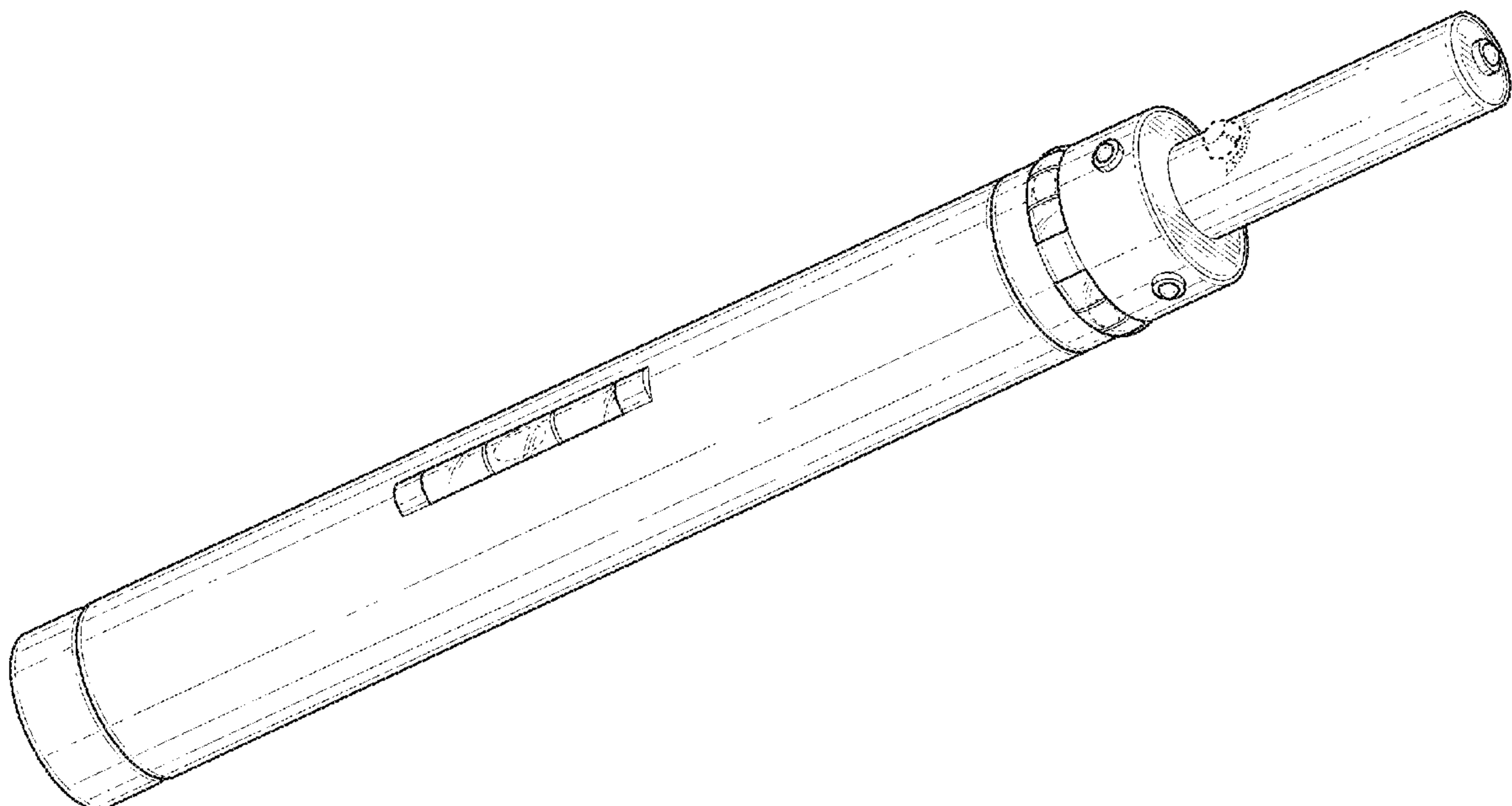
*Primary Examiner* — Antoine Duval Davis  
(74) *Attorney, Agent, or Firm* — Global Intellectual Property Agency, LLC; Daniel Boudwin

(57) **CLAIM**  
The ornamental design for a laser alignment guide, as shown and described.

**DESCRIPTION**

FIG. 1 shows a perspective view of the laser alignment guide.  
FIG. 2 shows an overhead view of the laser alignment guide.  
FIG. 3 shows an underside view of the laser alignment guide.  
FIG. 4 shows a side view of the laser alignment guide.  
FIG. 5 shows an opposing side view of the laser alignment guide.  
FIG. 6 shows a front view of the laser alignment guide; and, FIG. 7 shows a rear view of the laser alignment guide.  
The broken lines shown in the drawings represent environmental effects or potential embodiments and do not form any part of the claimed design.

**1 Claim, 4 Drawing Sheets**



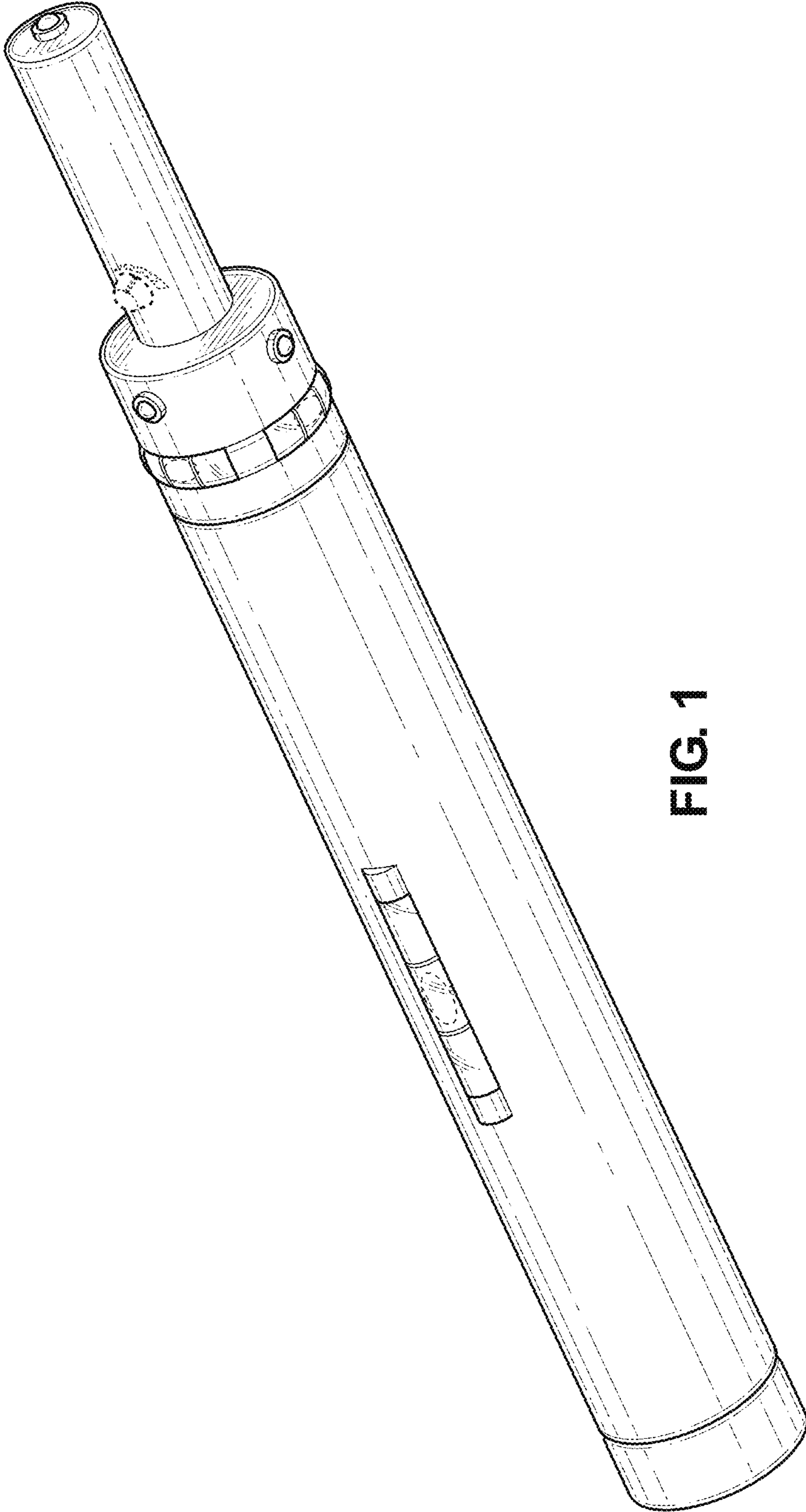
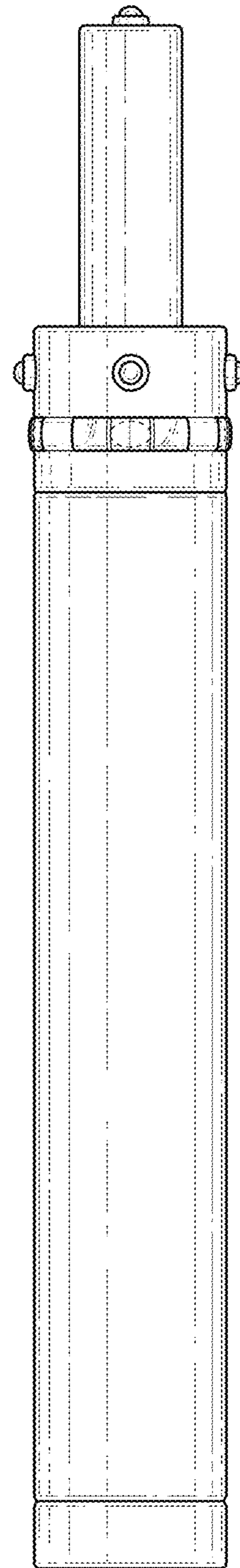
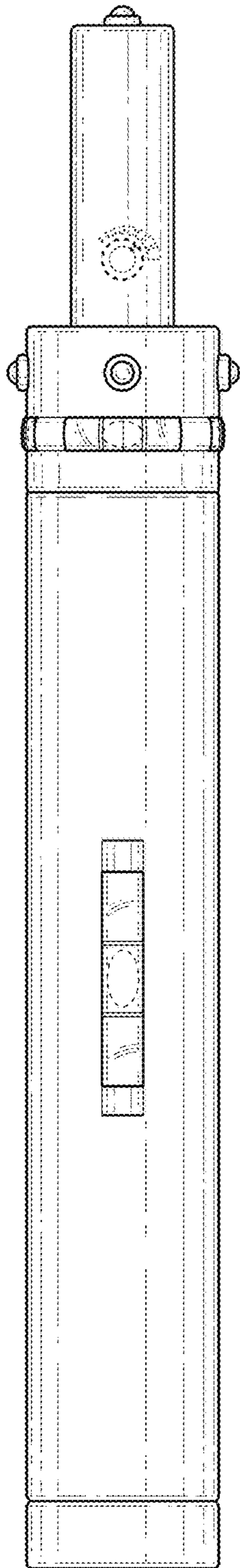


FIG. 1



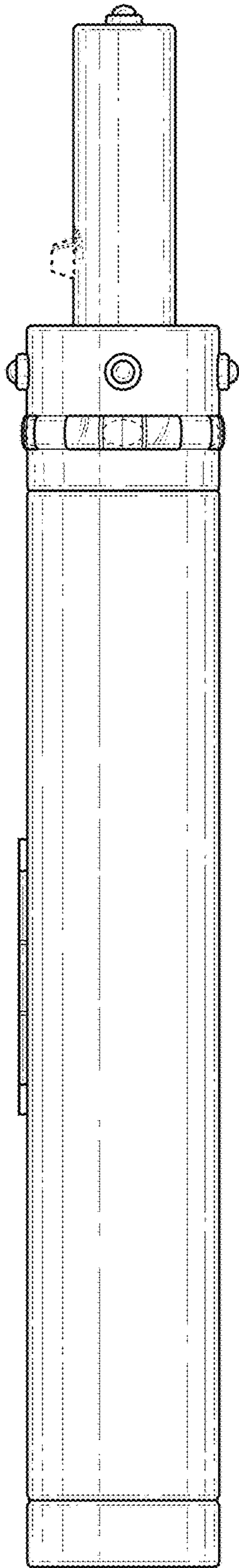


FIG. 4

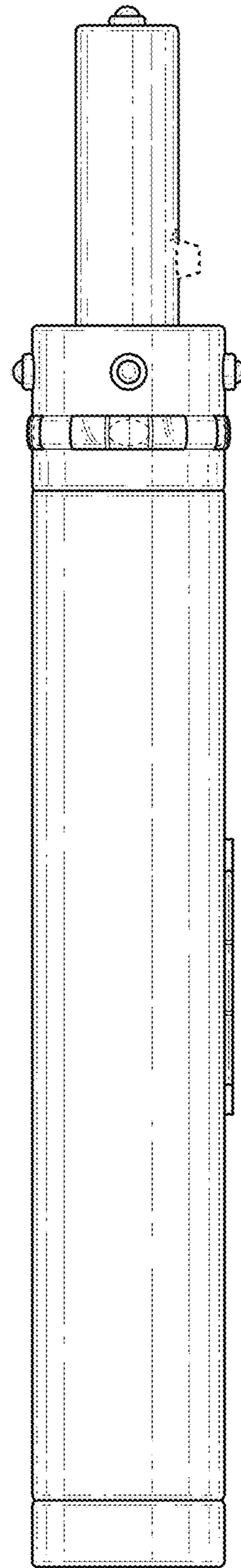
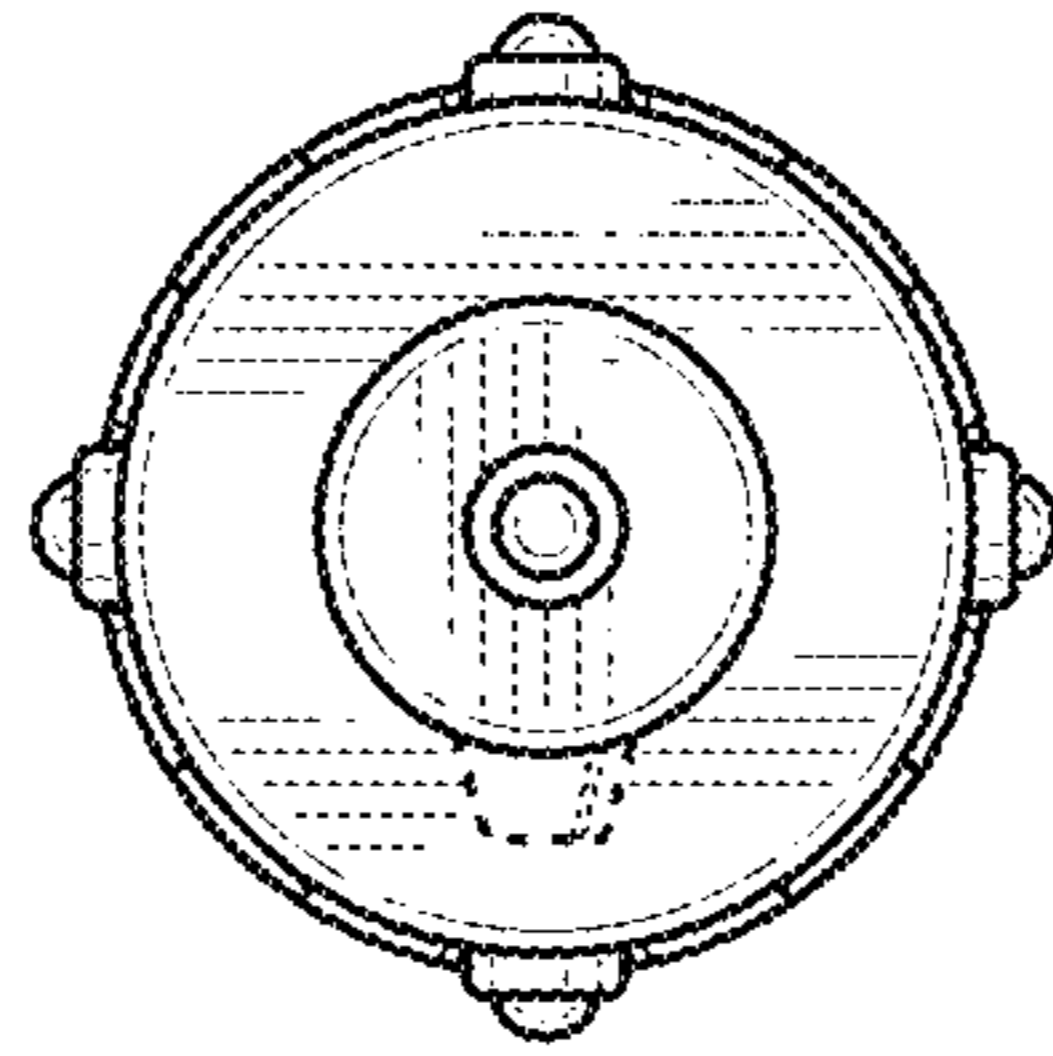
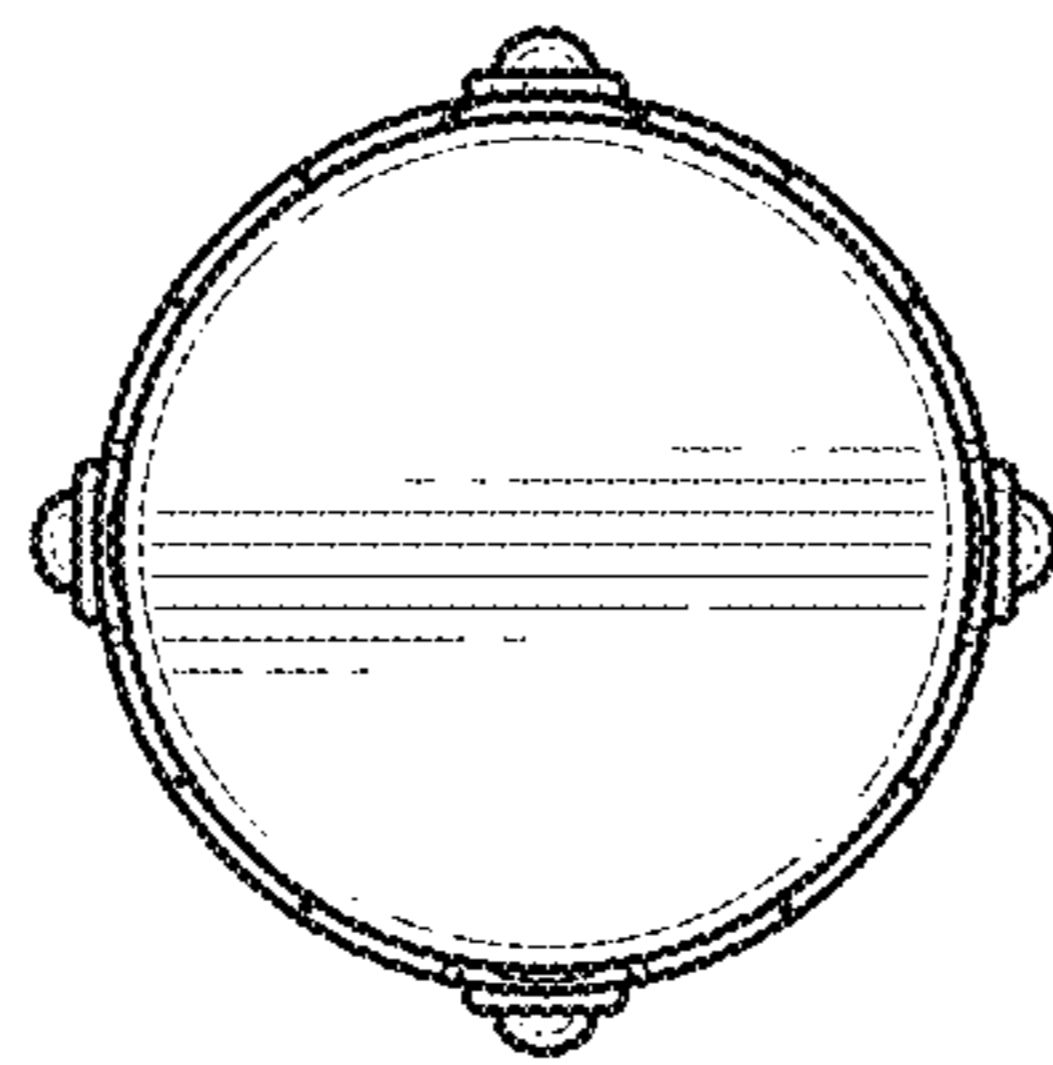


FIG. 5



**FIG. 6**



**FIG. 7**