



US00D827460S

(12) **United States Design Patent**  
**Lindberg et al.**

(10) **Patent No.:** **US D827,460 S**

(45) **Date of Patent:** **\*\* Sep. 4, 2018**

(54) **ADJUSTABLE SQUARE**

(56) **References Cited**

(71) Applicant: **Fuseneo, Inc.**, St. Charles, IL (US)

U.S. PATENT DOCUMENTS

(72) Inventors: **Brent William Lindberg**, St. Charles, IL (US); **Jenna Lee Walsh**, Batavia, IL (US); **Patricia Ellen Tait**, Elmhurst, IL (US)

D460,008 S \* 7/2002 Cina ..... D10/62  
6,553,677 B2 \* 4/2003 Szumer ..... G01B 3/566  
33/334  
D814,322 S \* 4/2018 Pepper ..... D10/62

\* cited by examiner

(73) Assignee: **FUSENEO, INC.**, St. Charles, IL (US)

*Primary Examiner* — Antoine Duval Davis

(\*\*) Term: **15 Years**

(74) *Attorney, Agent, or Firm* — Neal, Gerber & Eisenberg LLP; Thomas E. Williams

(21) Appl. No.: **29/593,986**

(57) **CLAIM**

The ornamental design for an adjustable square, as shown and described.

(22) Filed: **Feb. 14, 2017**

**DESCRIPTION**

(51) **LOC (11) Cl.** ..... **10-04**

(52) **U.S. Cl.**  
USPC ..... **D10/65**

(58) **Field of Classification Search**  
USPC ..... D10/65

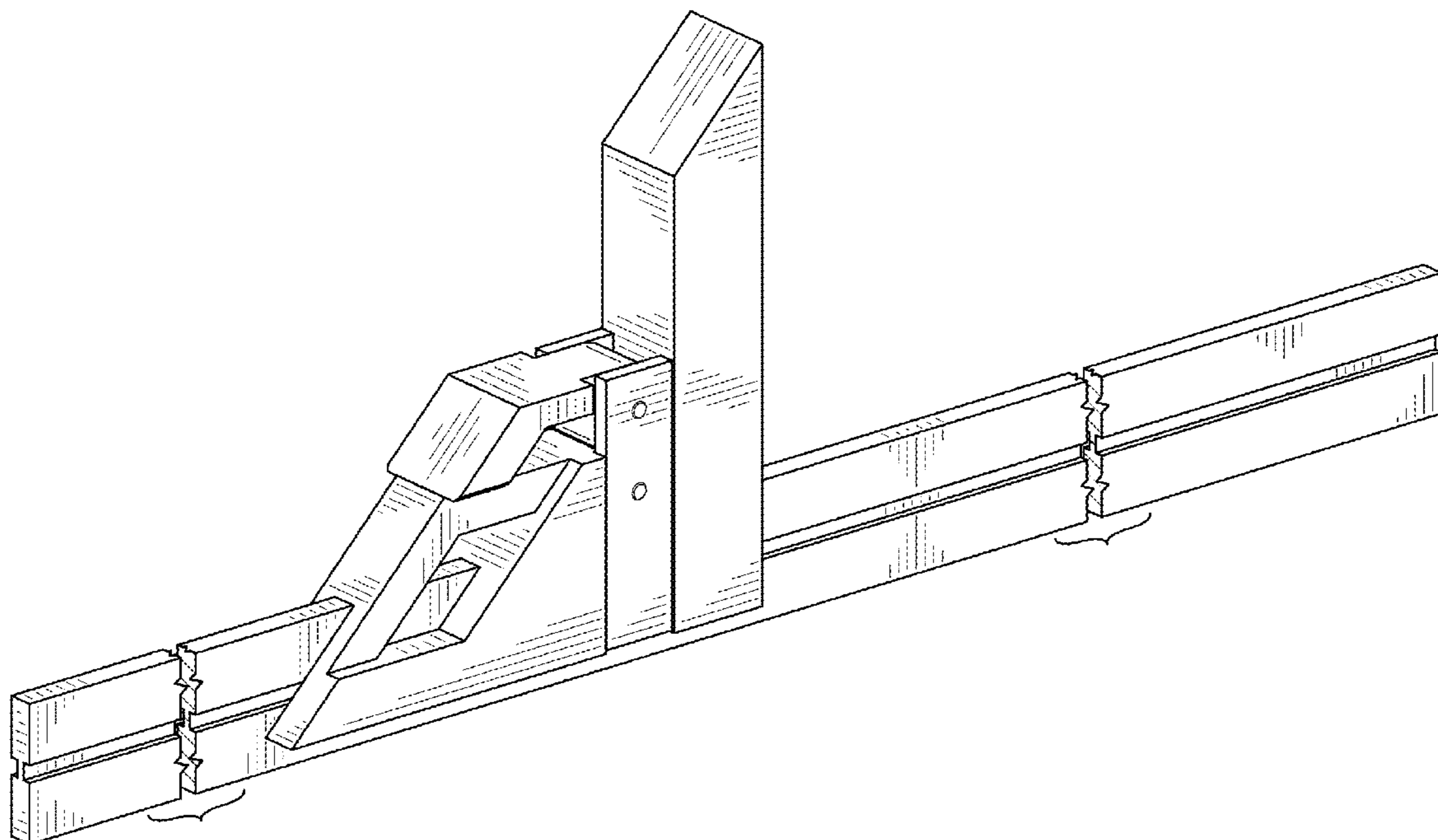
CPC ..... G01B 3/20; G01B 3/205; G01B 3/566;  
G01B 11/26; G01B 3/30; B25H 7/00;  
B25H 7/02; B43L 7/027; E04D 15/025;  
G01C 15/008; G01C 22/002; G01V 3/02;  
G01V 3/10; G01V 3/15; G01V 3/104;  
G01V 3/107; G01P 3/489; G01P 1/04;  
G01P 1/06; B62J 99/00; B62J 2099/0026;  
B62J 2099/004; B62J 2099/0013; B62J  
2099/0033; B62J 3/00

See application file for complete search history.

FIG. 1 is a perspective view of an adjustable square, embodying our new design;  
FIG. 2 is another perspective view thereof showing an alternate position of an element thereof;  
FIG. 3 is a front elevation view thereof;  
FIG. 4 is a rear elevation view thereof;  
FIG. 5 is a left side elevation view thereof;  
FIG. 6 is a right side elevation view thereof;  
FIG. 7 is a top plan view thereof; and,  
FIG. 8 is a bottom plan view thereof.

The article is shown with a symbolic break in its length. The appearance of any portion of the article between the break lines forms no part of the claimed design.

**1 Claim, 4 Drawing Sheets**



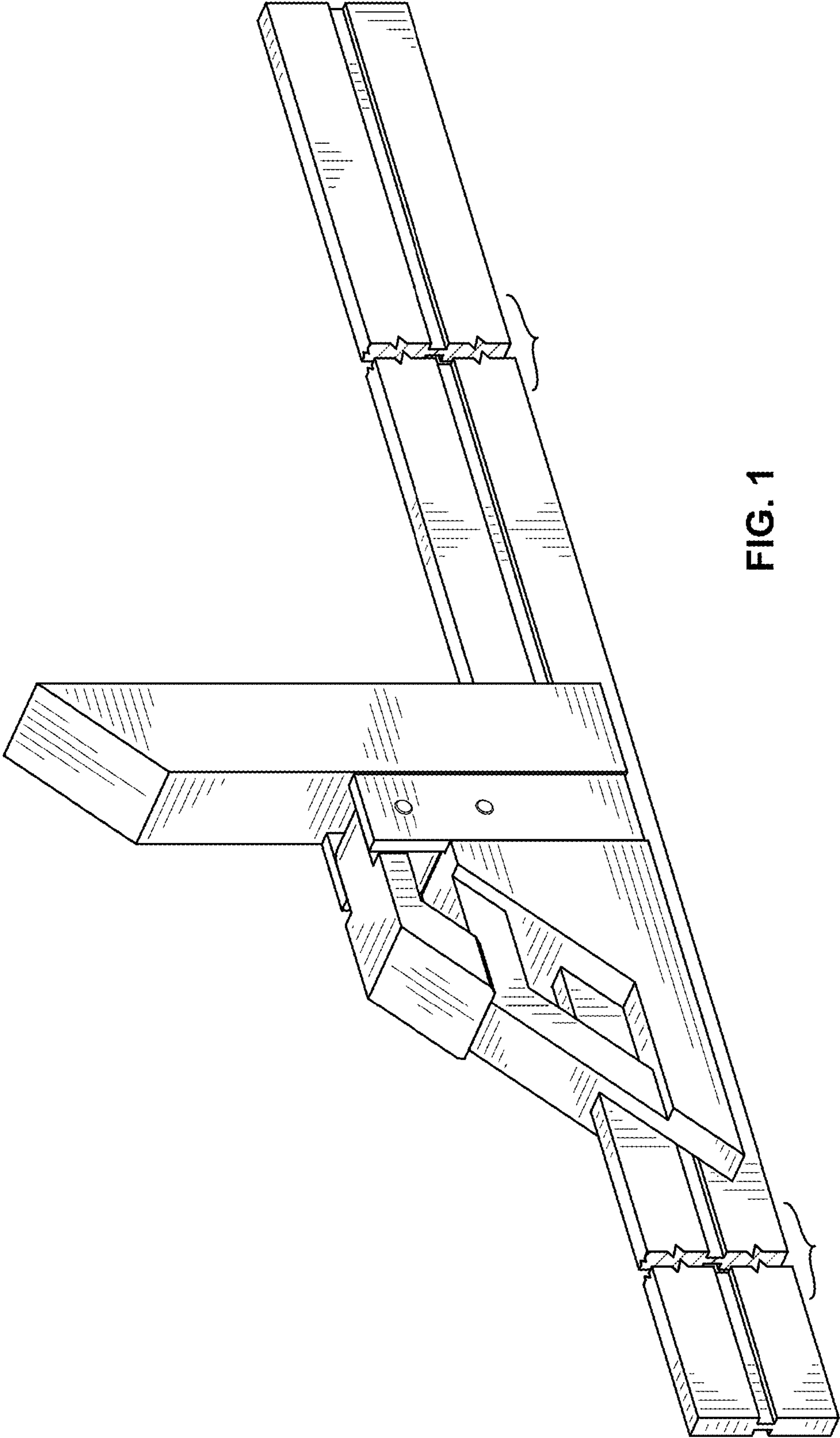


FIG. 1

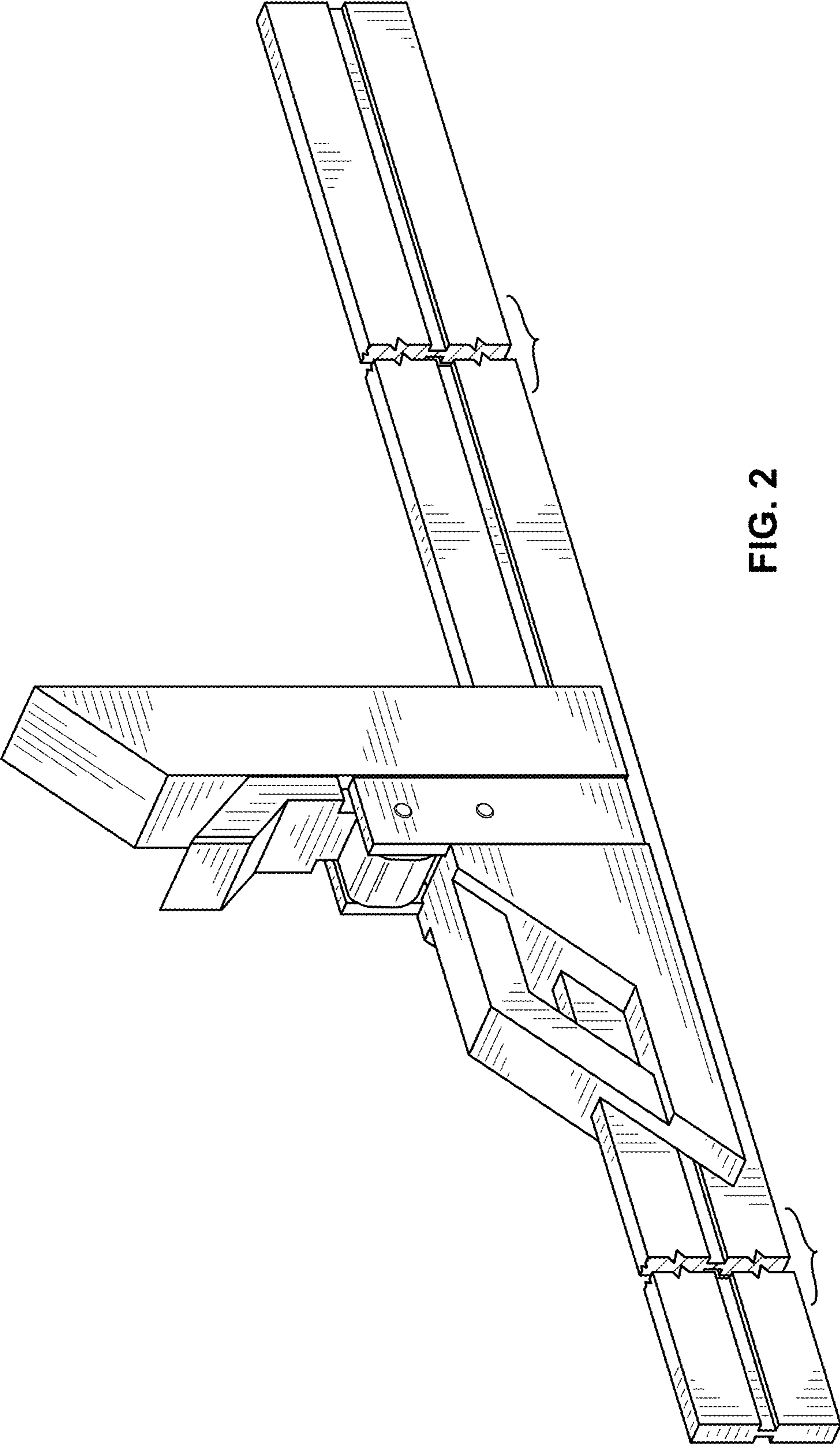
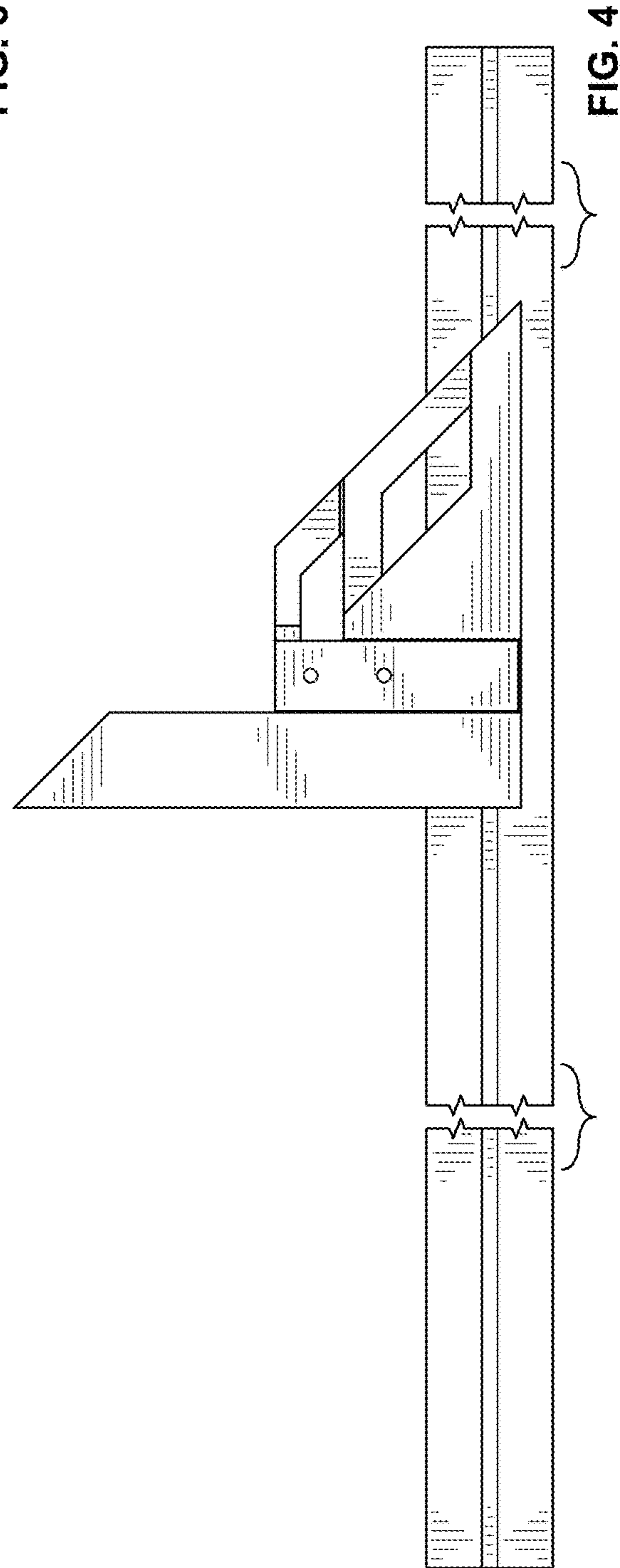
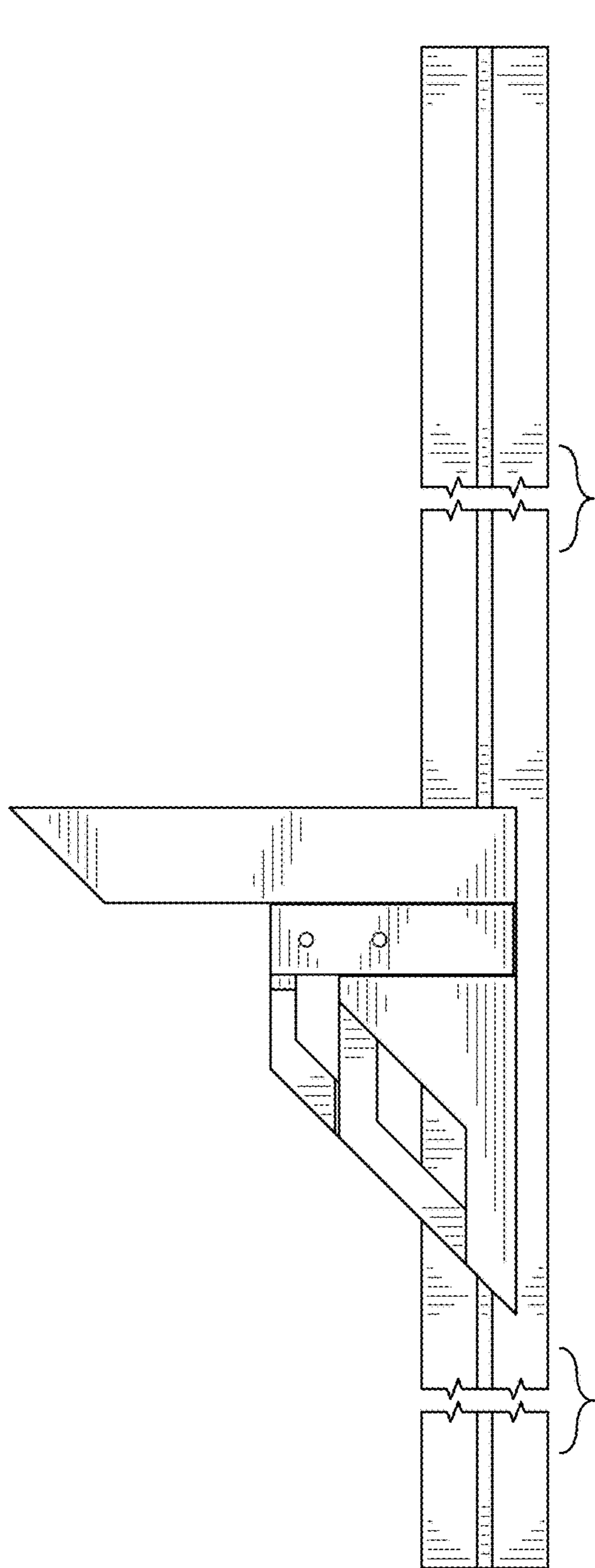


FIG. 2



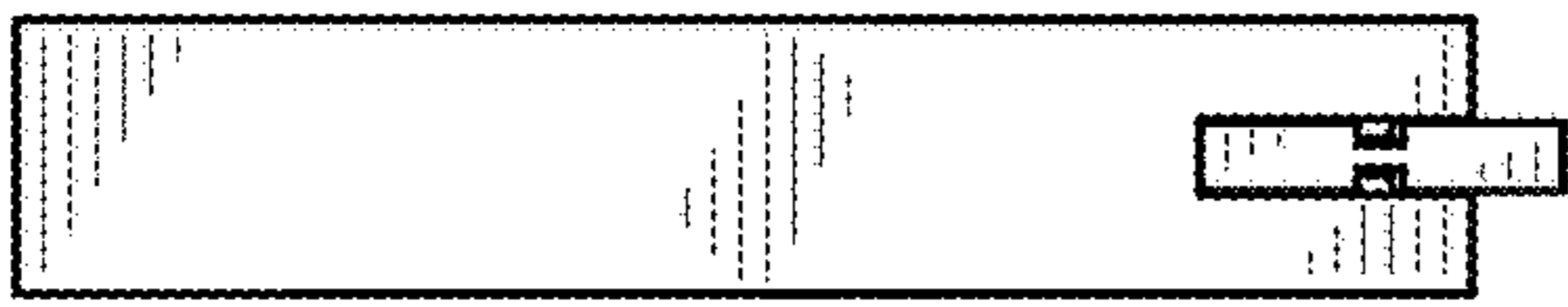


FIG. 5

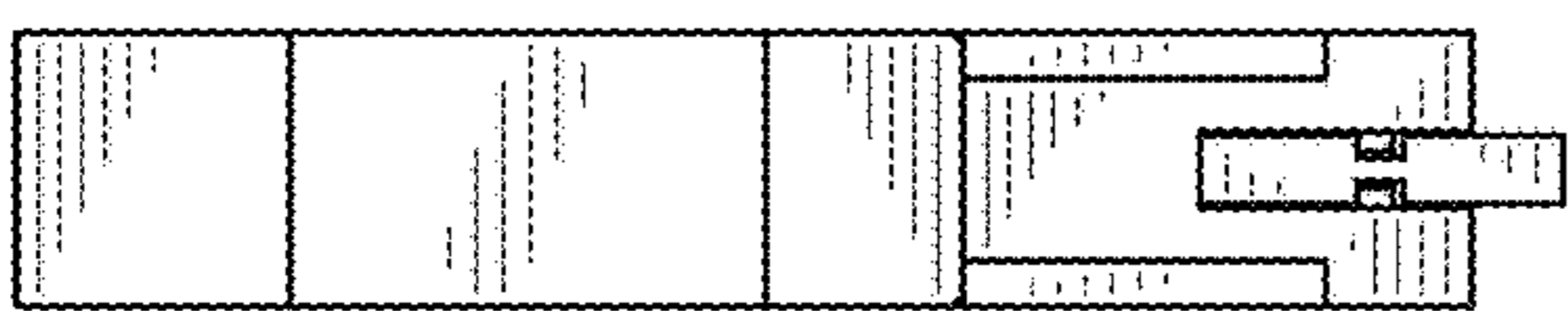


FIG. 6

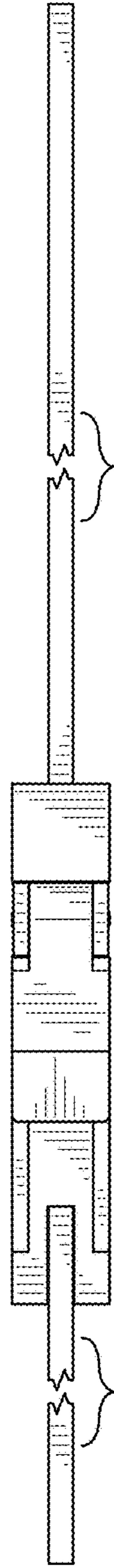


FIG. 7

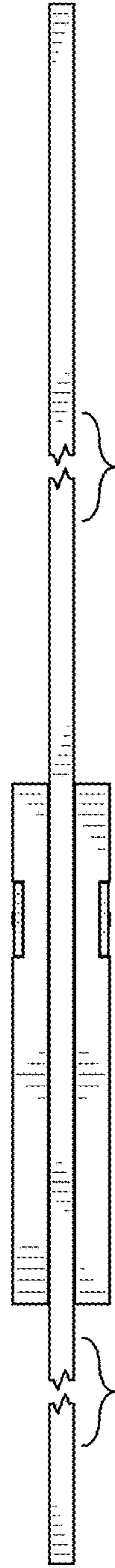


FIG. 8