



US00D827459S

(12) **United States Design Patent**
Matsumiya et al.

(10) **Patent No.:** **US D827,459 S**
(45) **Date of Patent:** **** Sep. 4, 2018**

(54) **PROBE FOR REMOTE COORDINATE MEASURING MACHINE**
(71) Applicant: **MITUTOYO CORPORATION**,
Kawasaki, Kanagawa (JP)
(72) Inventors: **Sadayuki Matsumiya**, Sagamihara
(JP); **Takeshi Kawabata**, Kawasaki
(JP); **Hidekazu Sano**, Kawasaki (JP);
Yu Sugai, Hadano (JP); **Shigeru Ohtani**, Kawasaki (JP)

5,524,354 A * 6/1996 Bartzke G01B 7/012
33/558
6,360,176 B1 * 3/2002 Nishioki G01B 7/002
702/113
6,678,966 B1 * 1/2004 Koga G01B 5/012
33/558
8,122,610 B2 * 2/2012 Tait G01B 21/042
33/502
D666,513 S * 9/2012 Matsumiya D10/74
D731,904 S * 6/2015 Stohr D10/63
9,354,042 B2 * 5/2016 Tsujii G01B 11/002
9,618,312 B2 * 4/2017 Shimaoka G01B 3/008
(Continued)

(73) Assignee: **MITUTOYO CORPORATION**,
Kawasaki (JP)

(**) Term: **15 Years**

(21) Appl. No.: **29/593,538**

(22) Filed: **Feb. 9, 2017**

(30) **Foreign Application Priority Data**

Sep. 26, 2016 (JP) 2016-020567

(51) **LOC (11) Cl.** **10-04**

(52) **U.S. Cl.**
USPC **D10/63**

(58) **Field of Classification Search**
USPC D10/63, 70, 74
CPC G01B 5/012; G01B 5/20; G01B 11/005;
G01B 11/007; G01B 3/008
See application file for complete search history.

(56) **References Cited**

U.S. PATENT DOCUMENTS

4,523,450 A * 6/1985 Herzog G01B 21/042
33/502
4,578,873 A * 4/1986 Klingler G01B 5/012
33/556
D327,854 S * 7/1992 Bennett D10/70
5,446,971 A * 9/1995 Neumann G01B 5/0014
33/503

OTHER PUBLICATIONS

<http://www.ndigital.com/msci/products/procmm/>.
Multi-Sided Probe. NDI (Northern Digital Inc.). Jul. 2008. NDI P/N
8300220.

Primary Examiner — Susan Bennett Hattan
Assistant Examiner — Leanne Was-Englehart
(74) *Attorney, Agent, or Firm* — Oliff PLC

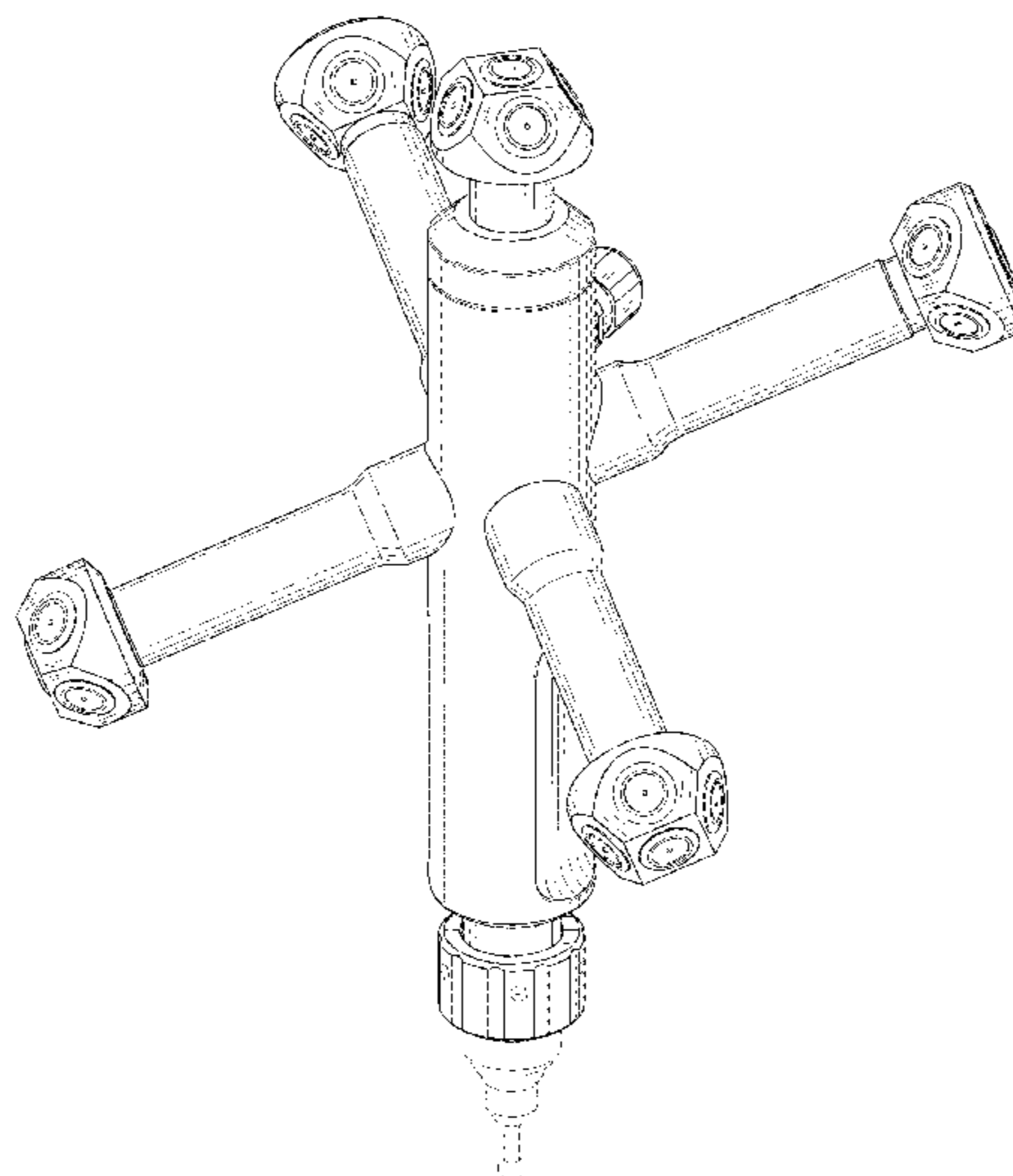
(57) **CLAIM**

The ornamental design for a probe for remote coordinate measuring machine, as shown and described.

DESCRIPTION

FIG. 1 is a top, front, right-side perspective view of the probe for remote coordinate measuring machine; FIG. 2 is a top, rear, left-side perspective view thereof; FIG. 3 is a front elevational view thereof; FIG. 4 is a top plan view thereof; FIG. 5 is a right-side elevational view thereof; FIG. 6 is a left-side elevational view thereof; FIG. 7 is a rear elevational view thereof; and, FIG. 8 is a bottom plan view thereof. The broken lines depict unclaimed parts of the probe, and thus form no part of the claimed design.

1 Claim, 8 Drawing Sheets



(56)

References Cited

U.S. PATENT DOCUMENTS

9,759,540 B2 * 9/2017 Ferrari G01B 5/012
9,810,529 B2 * 11/2017 Shimaoka G01B 11/2441
2016/0258738 A1 * 9/2016 Shimaoka G01B 5/012

* cited by examiner

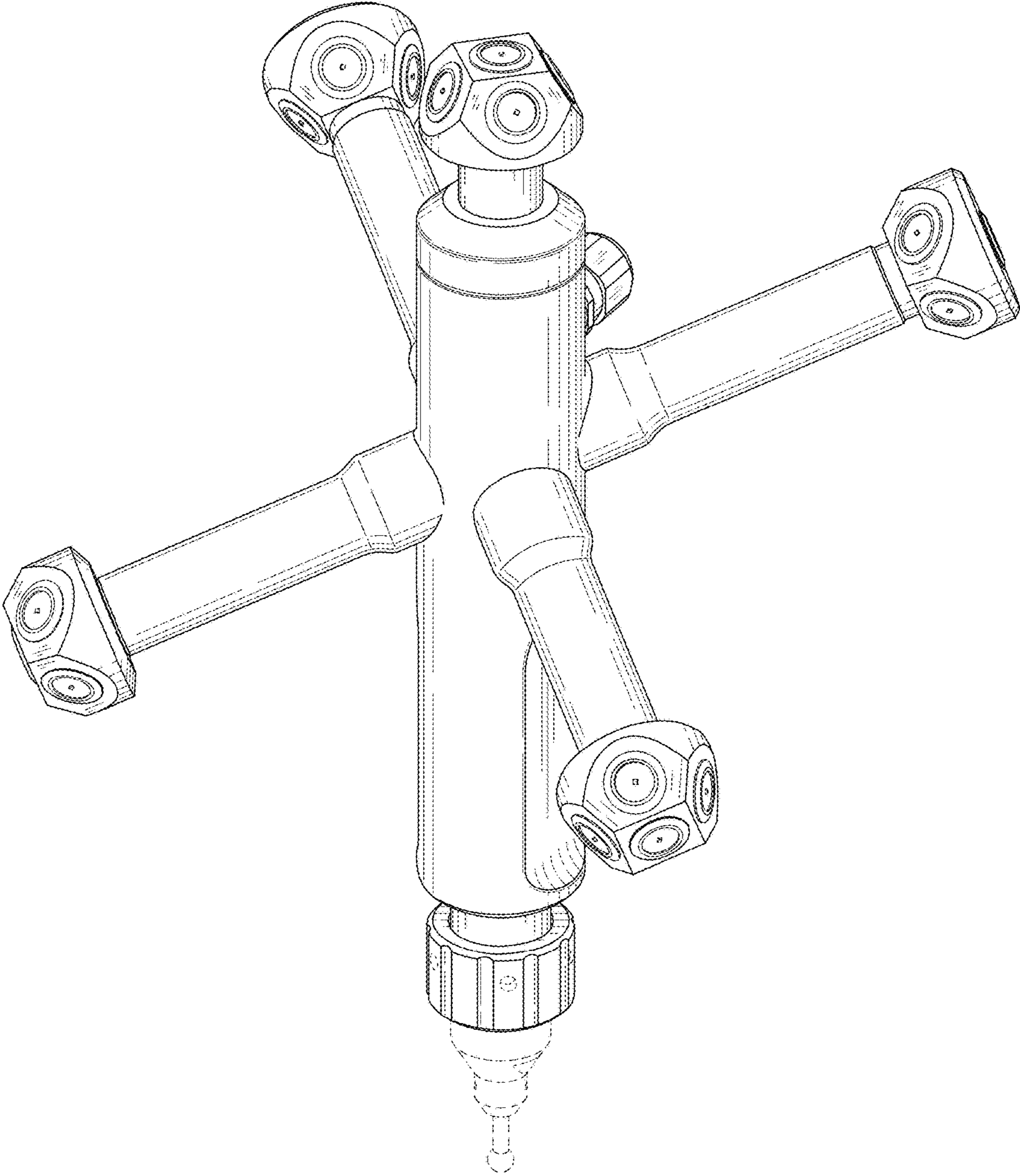


FIG. 1

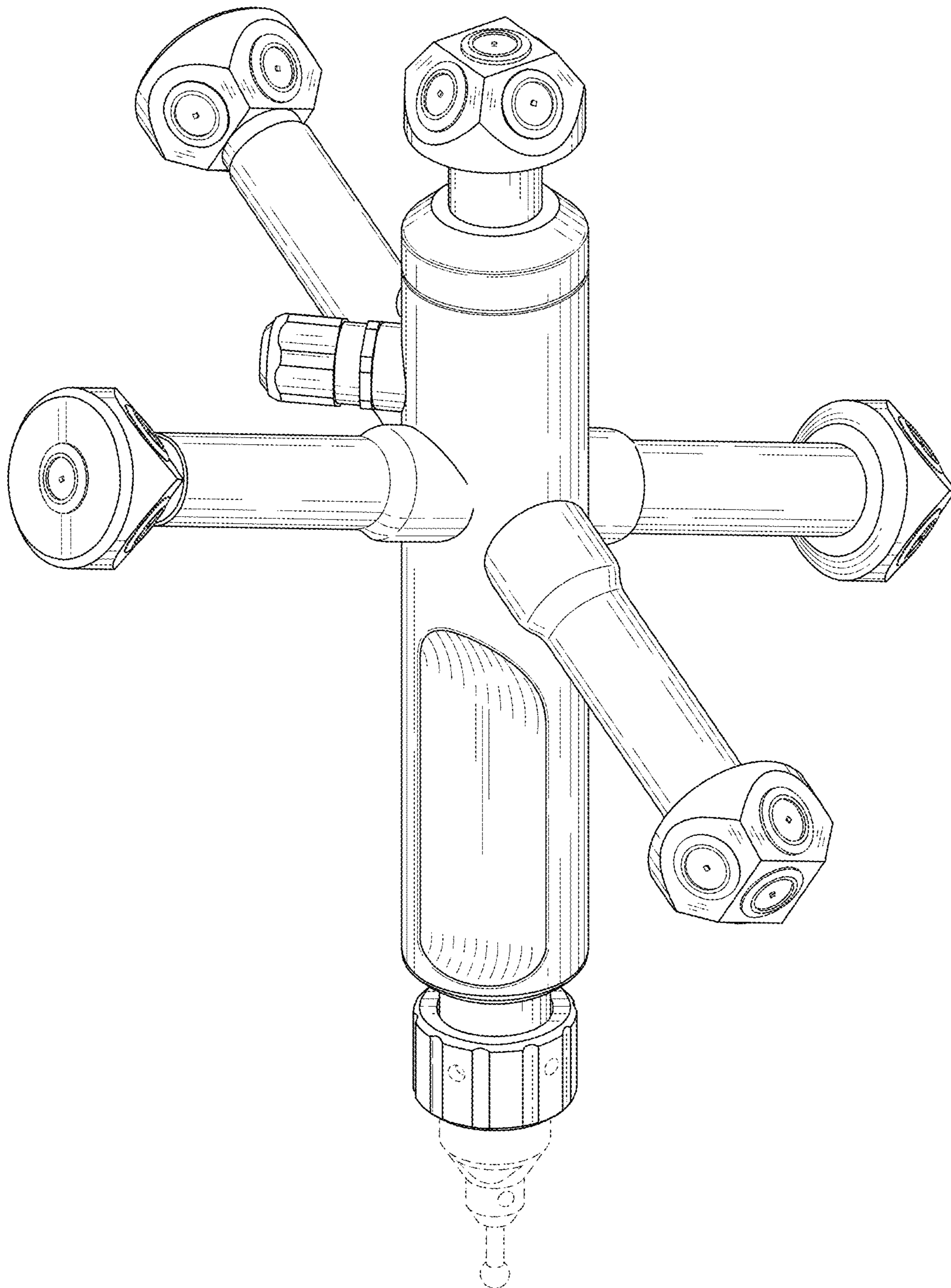


FIG. 2

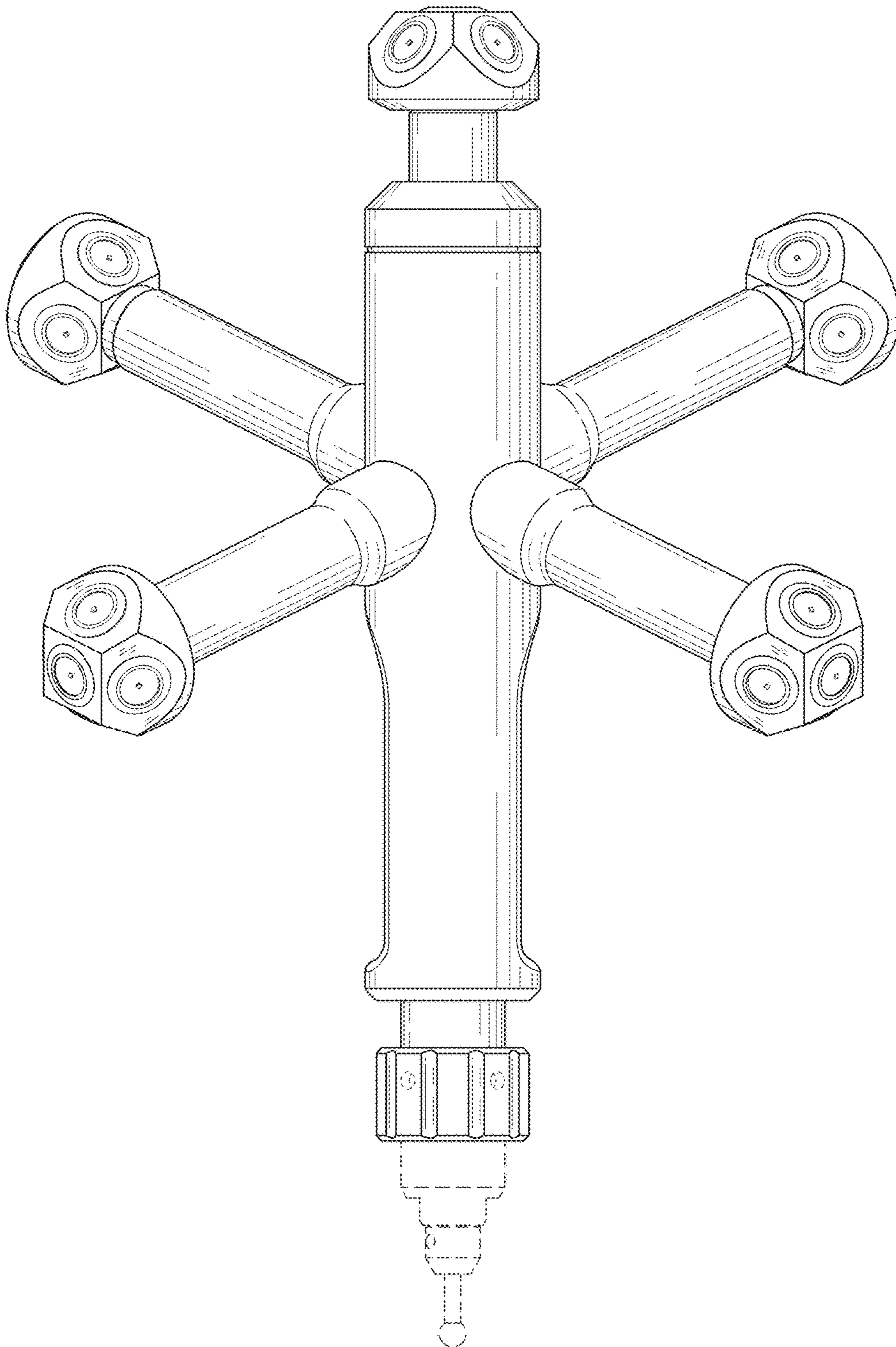


FIG. 3

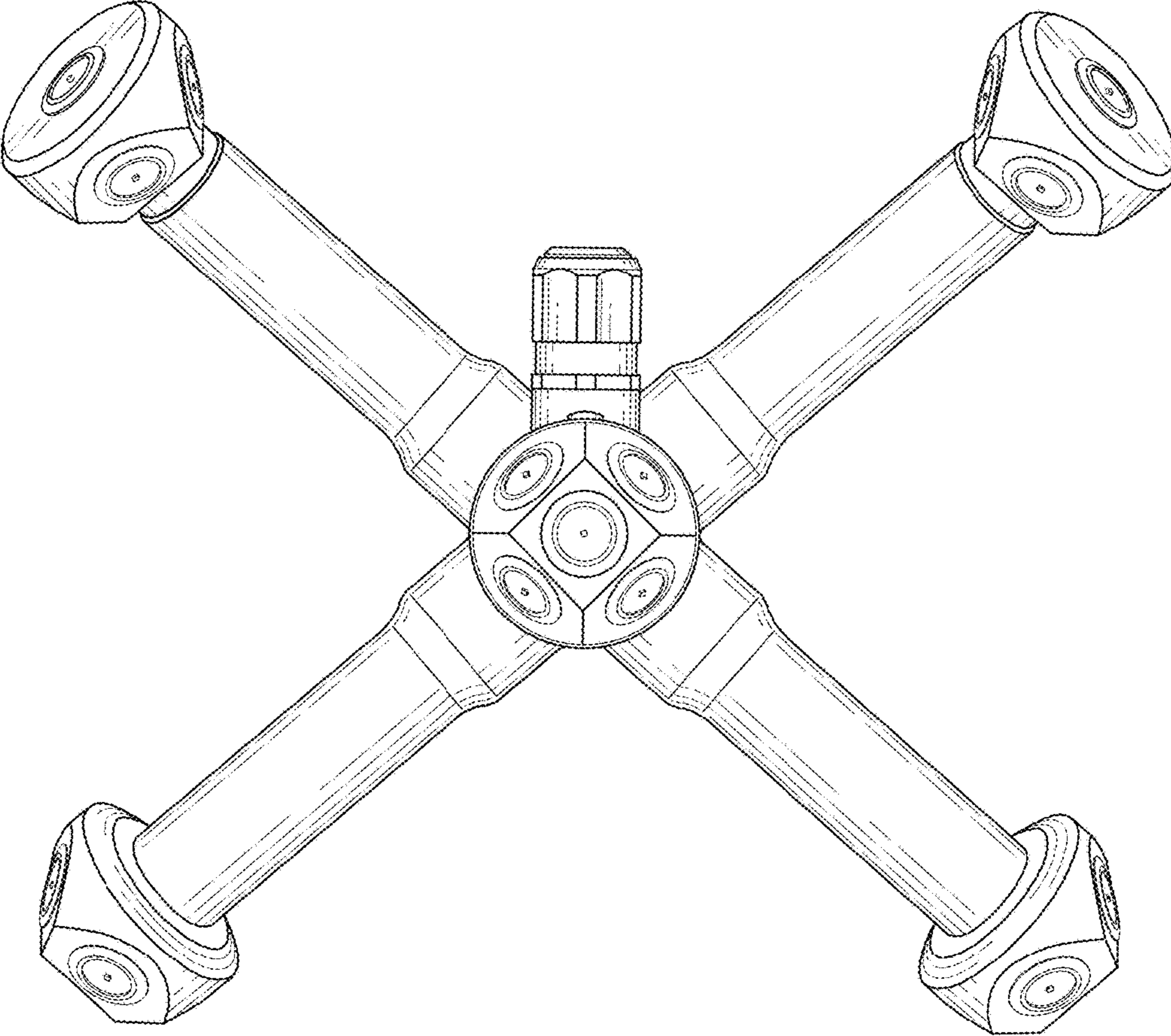


FIG. 4

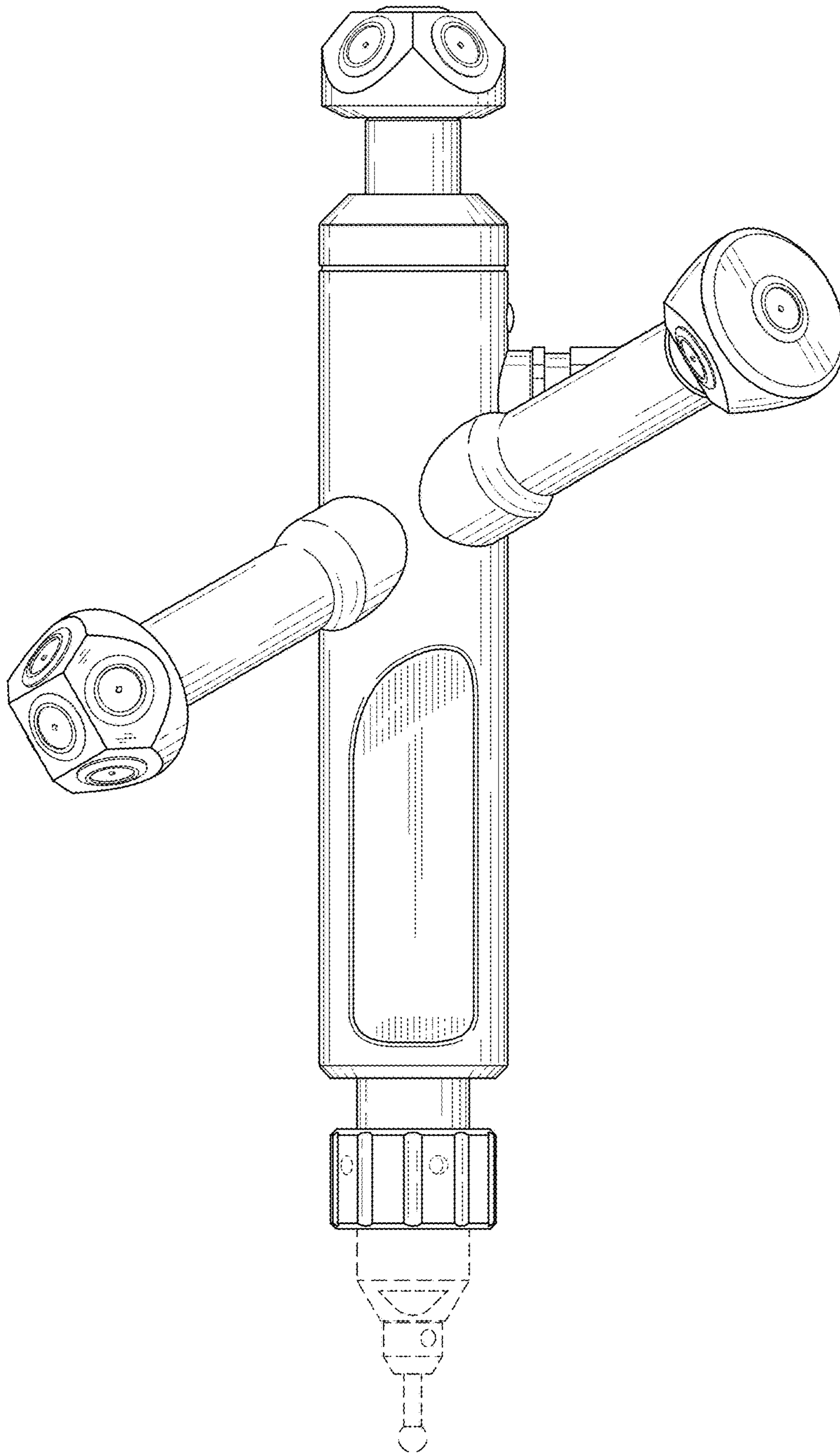


FIG. 5

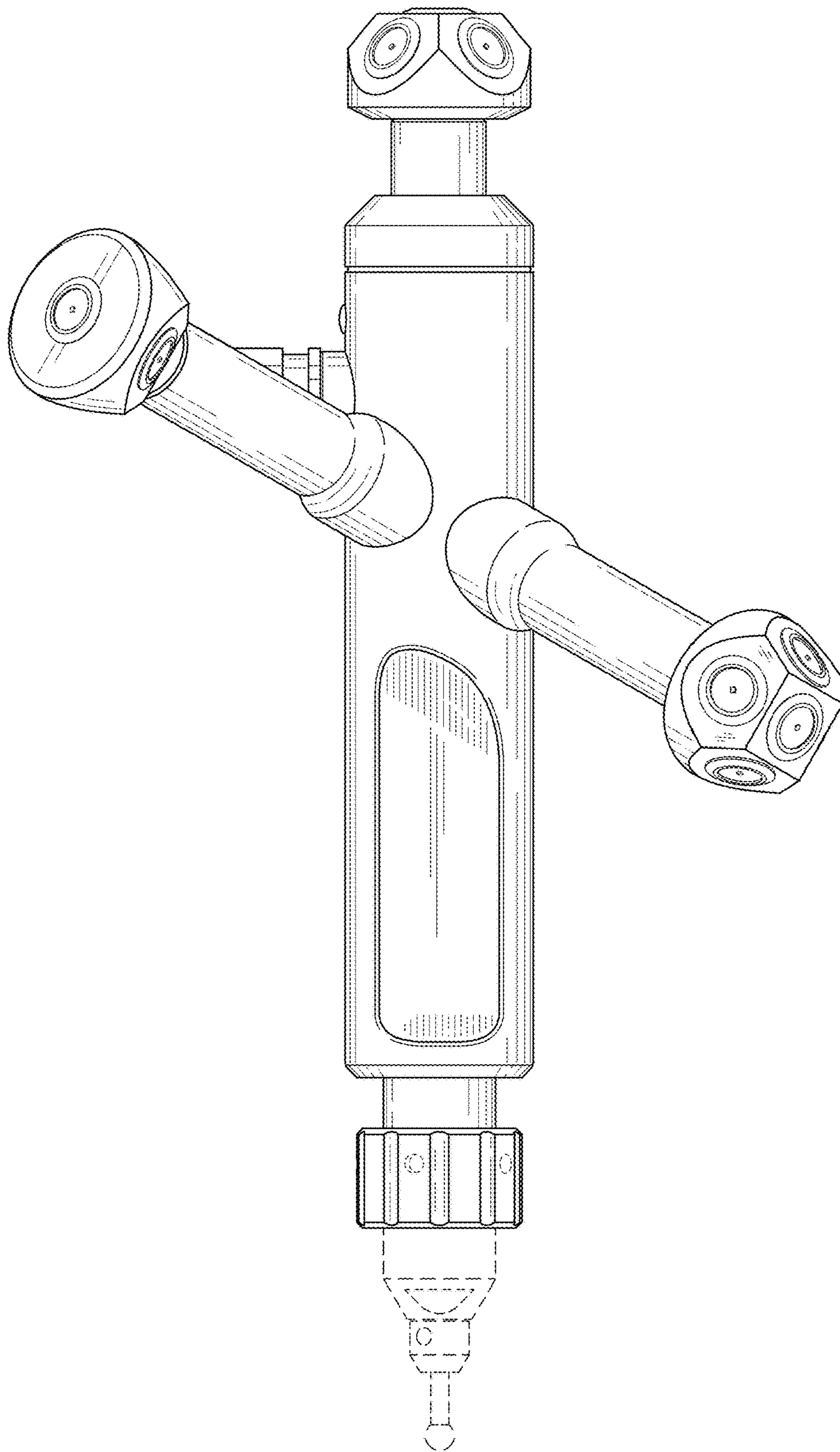


FIG. 6

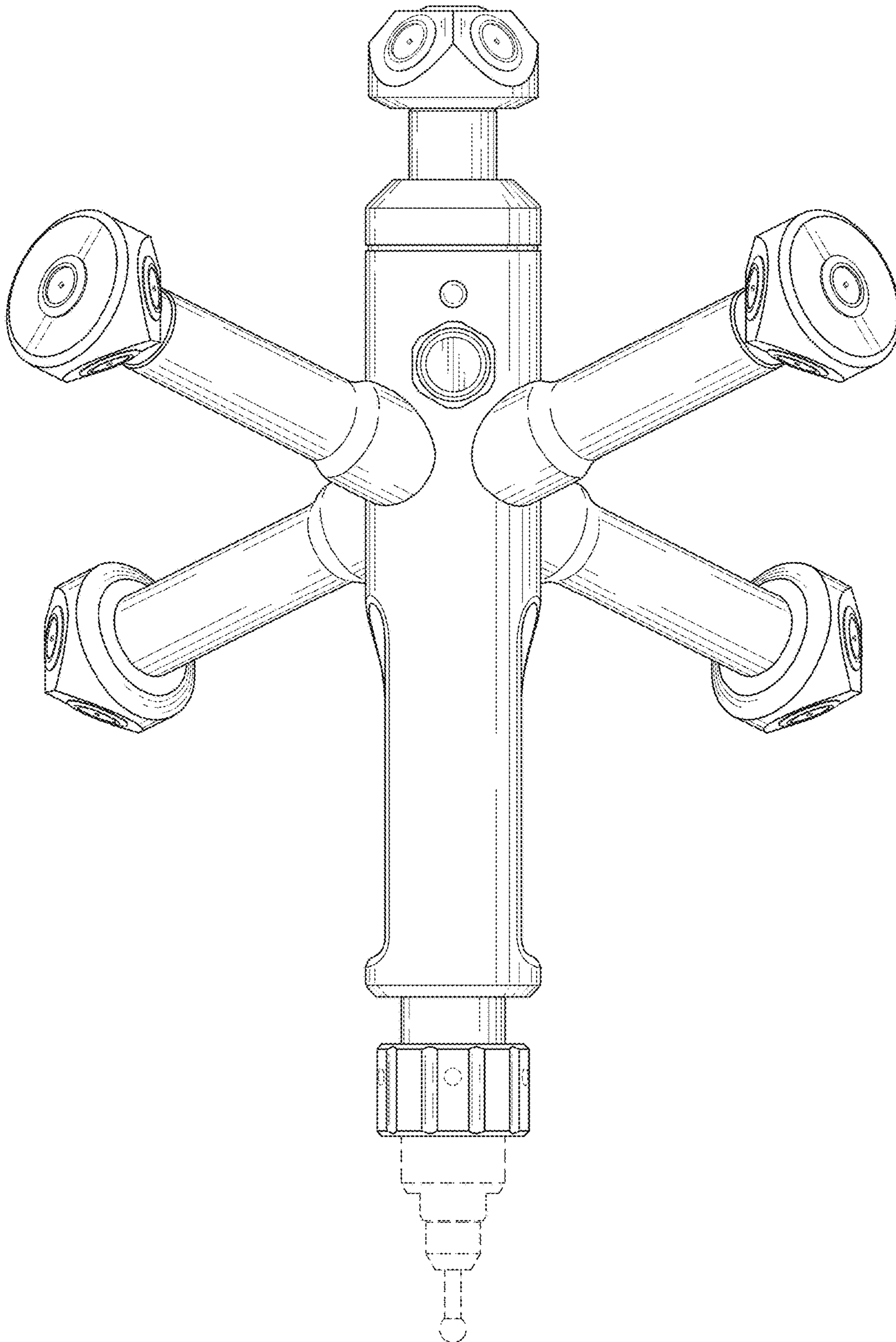


FIG. 7

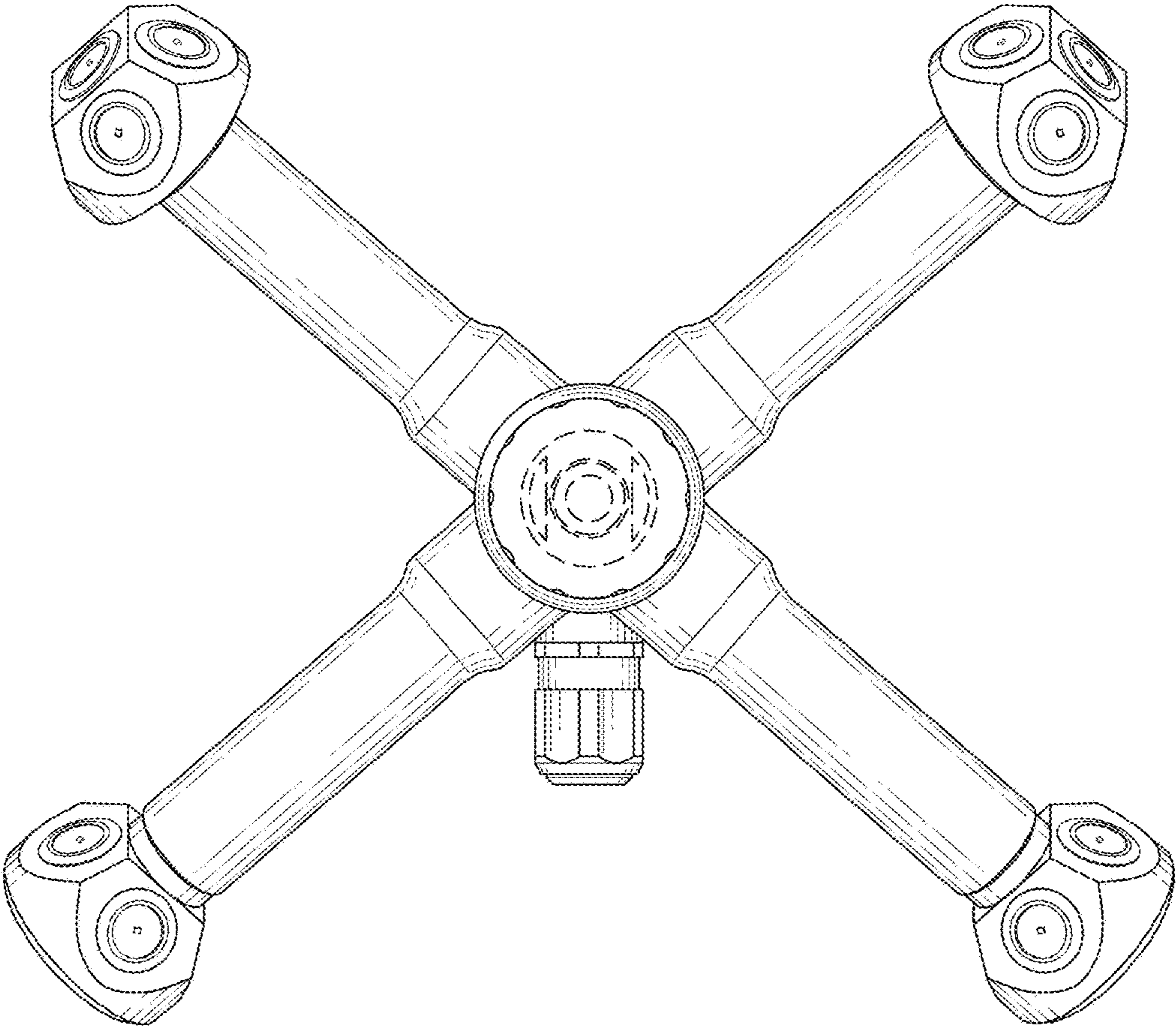


FIG. 8