



US00D827458S

(12) **United States Design Patent**  
**Granstrand**

(10) **Patent No.:** **US D827,458 S**  
(45) **Date of Patent:** **\*\* Sep. 4, 2018**

(54) **FAUCET TEMPERATURE INDICATOR**

(56) **References Cited**

(71) Applicant: **Oskar L. Granstrand**, Stockholm (SE)

U.S. PATENT DOCUMENTS

(72) Inventor: **Oskar L. Granstrand**, Stockholm (SE)

D464,253 S \* 10/2002 Nimberger ..... D10/60  
7,975,985 B2 \* 7/2011 Gordon ..... E03C 1/0404  
222/509  
D682,719 S \* 5/2013 Granstrand ..... E03C 1/0404  
D10/99  
D797,902 S \* 9/2017 Georgeson ..... D23/255

(\*\*) Term: **15 Years**

\* cited by examiner

(21) Appl. No.: **29/564,426**

(22) Filed: **May 12, 2016**

*Primary Examiner* — Antoine Duval Davis

(51) **LOC (11) Cl.** ..... **10-04**

(57) **CLAIM**

(52) **U.S. Cl.**

The ornamental design for a faucet temperature indicator, as shown and described.

USPC ..... **D10/60; D10/49; D10/102; D10/103; D23/255**

**DESCRIPTION**

(58) **Field of Classification Search**

USPC ..... D8/397; D10/49, 50, 56, 60, 99, 100, D10/101, 102, 103; D23/239, 241, 242, D23/255

FIG. 1 is a top front perspective view of a faucet temperature indicator showing my new design;  
FIG. 2 is a side elevational view thereof, the opposite side being a mirror image of the side shown;  
FIG. 3 is a top plan view thereof;  
FIG. 4 is a bottom plan view thereof;  
FIG. 5 is a perspective view showing the faucet temperature indicator attached to a faucet; and,  
FIG. 6 is an enlarged view of FIG. 5 thereof.

CPC ..... E03C 1/055; E03C 1/057; E03C 1/0404; G05D 23/13; G05D 23/1306; G05D 23/1313; G05D 23/132; G05D 23/1326; G05D 23/1333; G05D 23/134; G05D 23/1346; G05D 23/1353; G05D 23/136; G05D 23/1366; G05D 23/1373; G05D 23/1386; G05D 23/1393

See application file for complete search history.

**1 Claim, 4 Drawing Sheets**

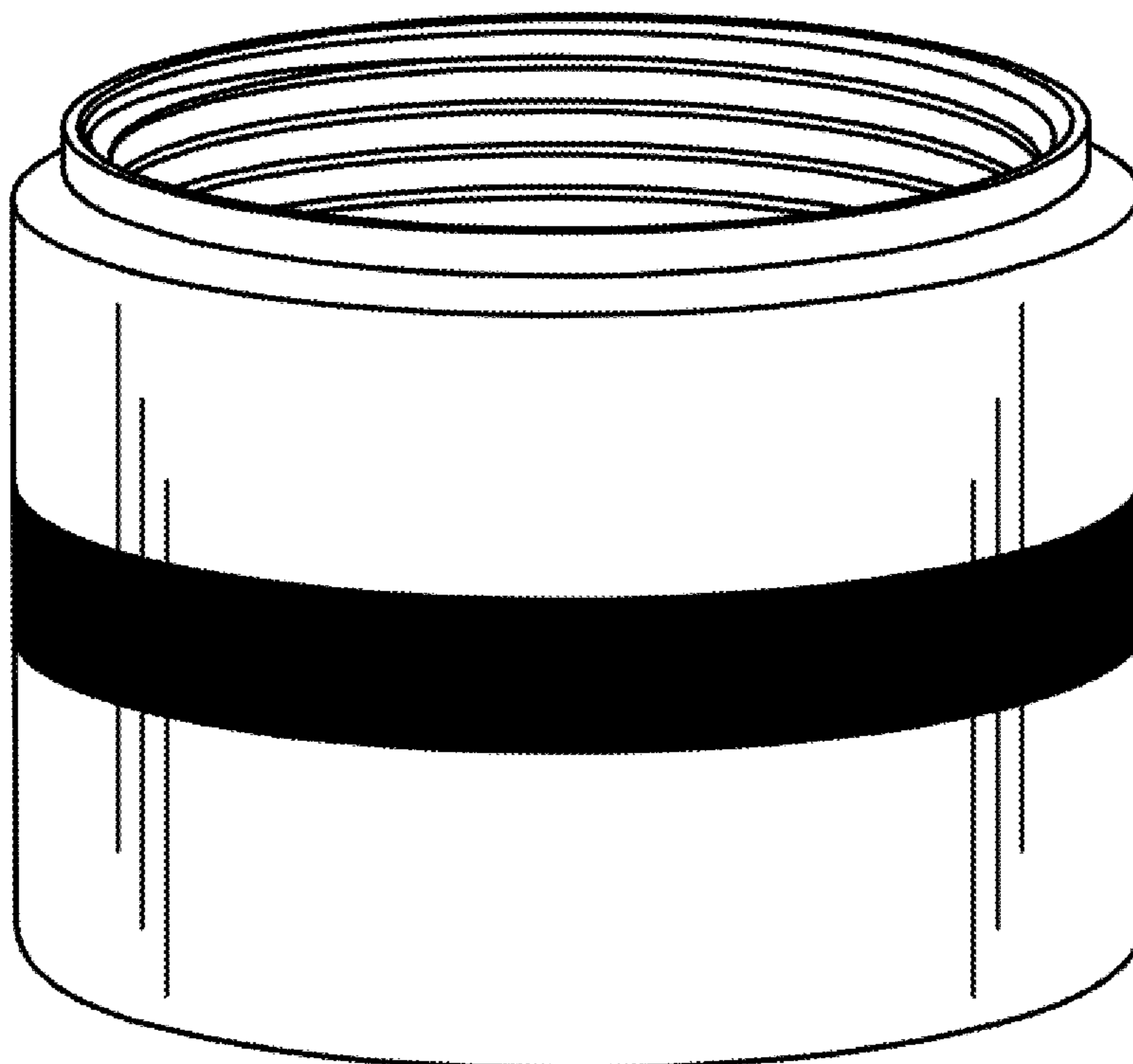


FIG. 1

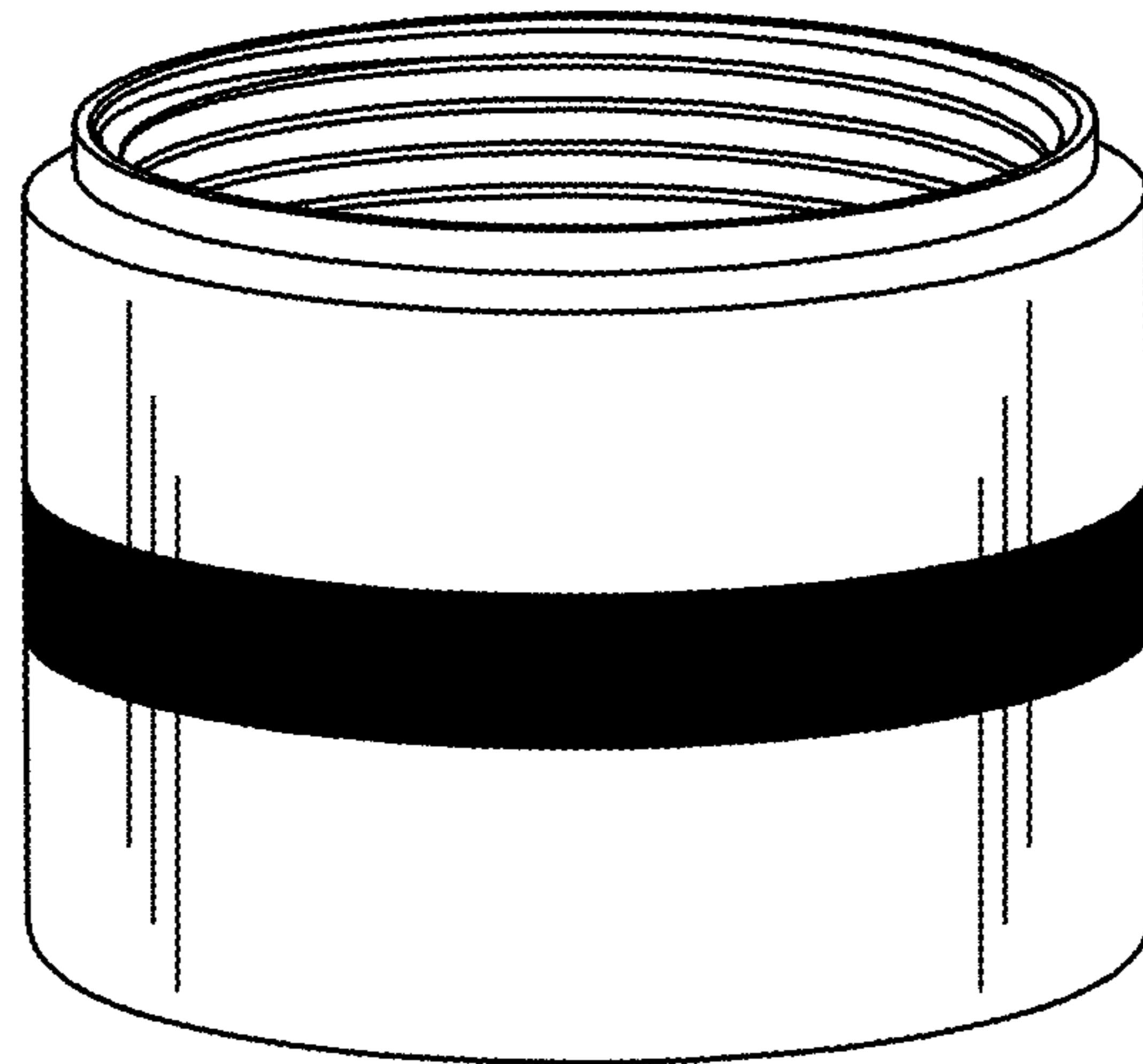


FIG. 2

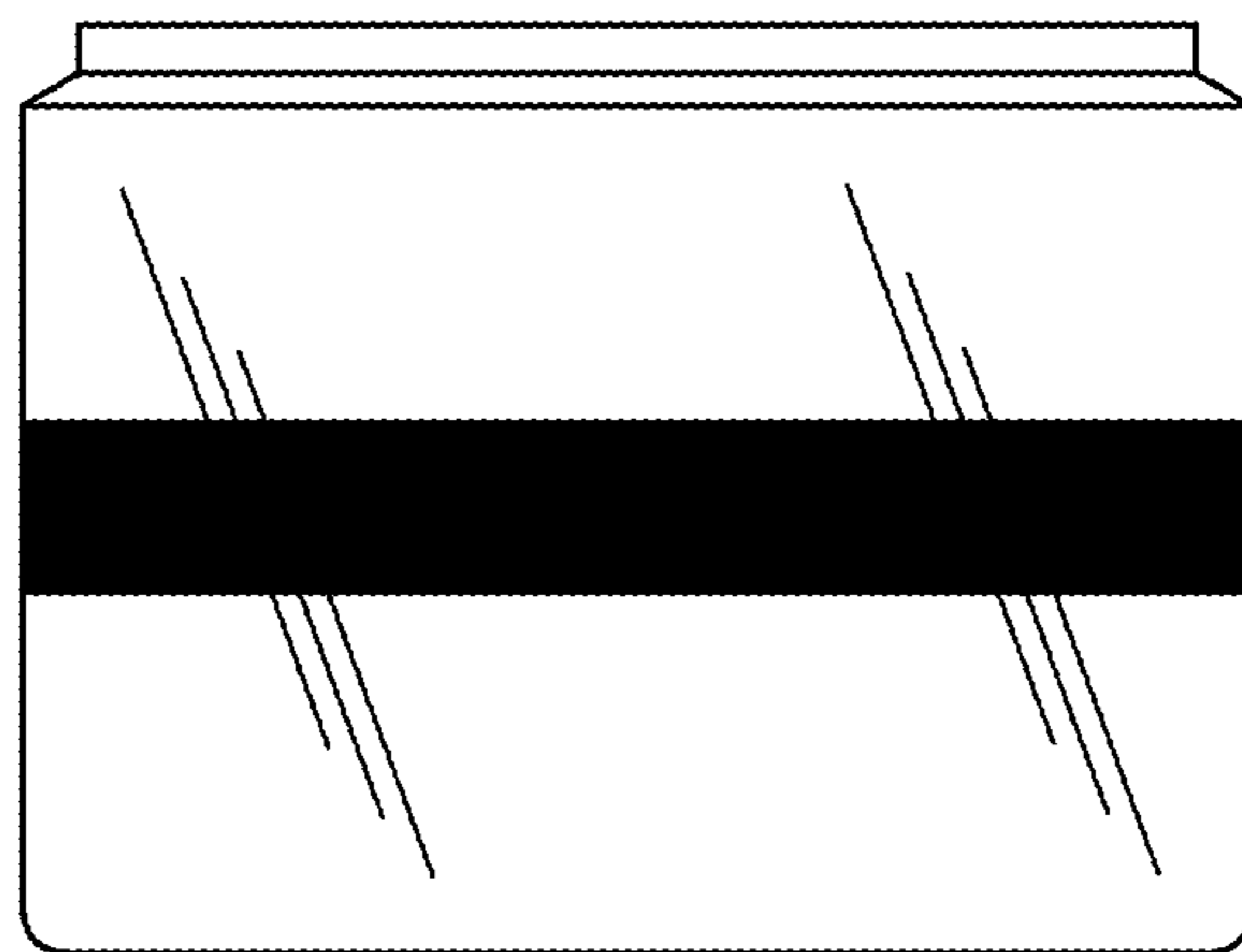


FIG. 3

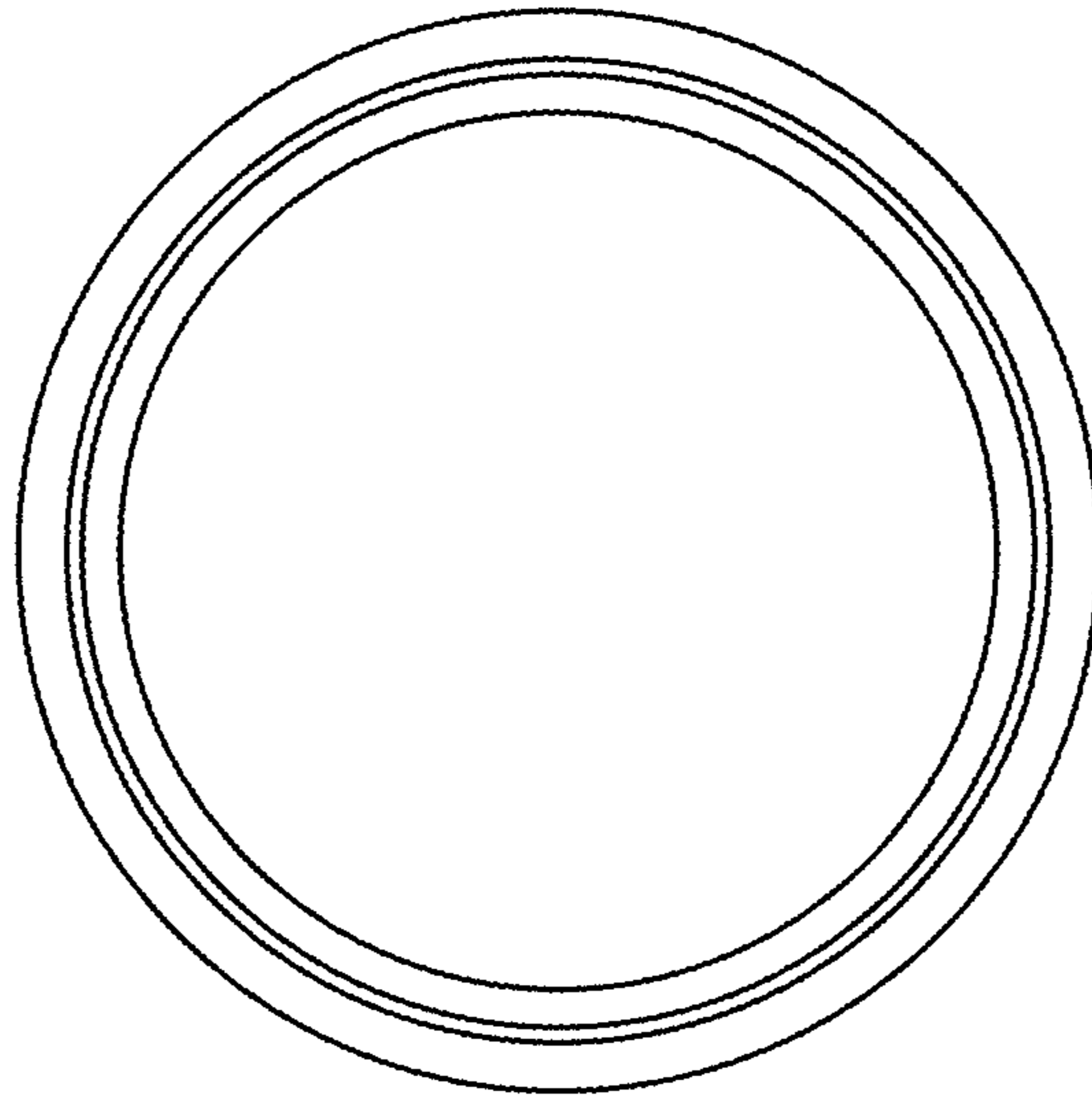


FIG. 4

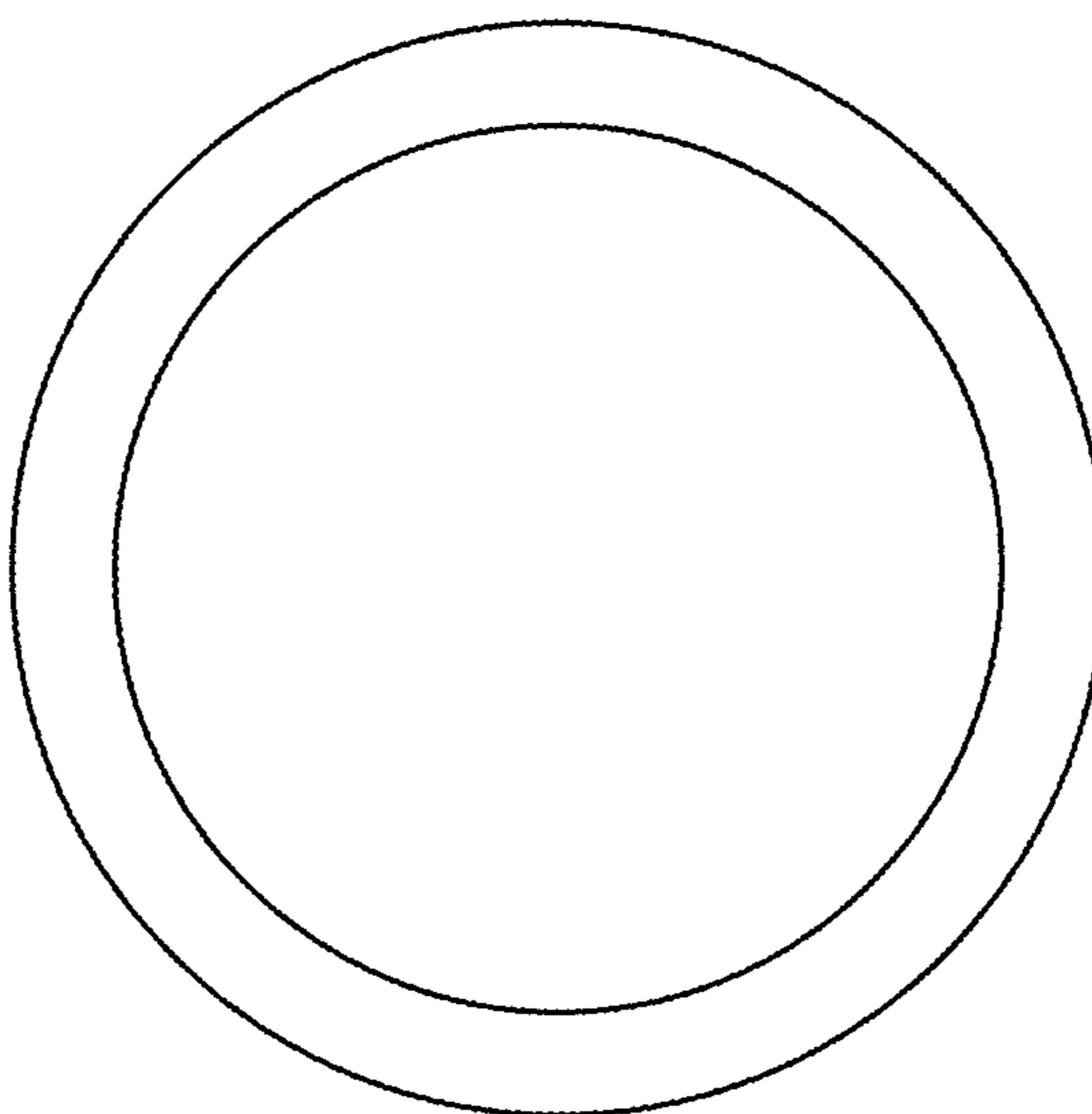


FIG. 5

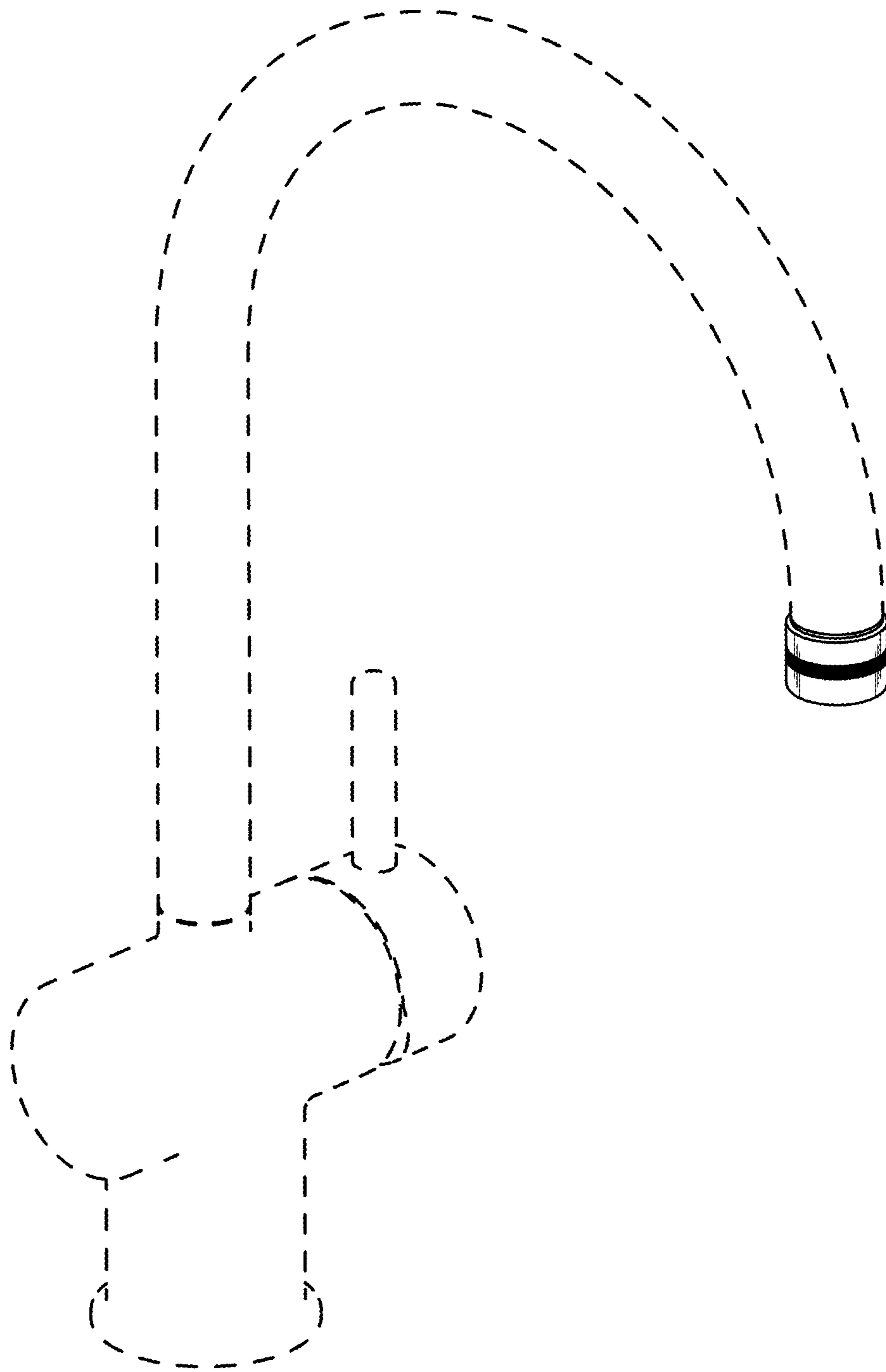


FIG. 6

