

US00D827454S

(12) **United States Design Patent**
Laucella

(10) **Patent No.:** **US D827,454 S**
(45) **Date of Patent:** **** Sep. 4, 2018**

(54) **WATCH**
(71) Applicant: **MONTRES BREGUET S.A.,**
L'Abbaye (CH)
(72) Inventor: **Vincent Laucella, Le Brassus (CH)**
(73) Assignee: **Montres Breguet S.A., L'Abbaye (CH)**
(**) Term: **15 Years**

D552,490 S * 10/2007 Laucella D10/31
D554,535 S * 11/2007 Journe D10/31
D559,131 S * 1/2008 Laucella D10/39
D579,793 S * 11/2008 Hayek D10/39
D616,767 S * 6/2010 Laucella D10/39
D636,692 S * 4/2011 Pospieszny D10/129
D652,324 S * 1/2012 Laucella D10/33
D705,675 S * 5/2014 Abdourahim D10/39
D710,731 S * 8/2014 Calvani D10/126
(Continued)

(21) Appl. No.: **29/601,215**
(22) Filed: **Apr. 20, 2017**

(30) **Foreign Application Priority Data**

Oct. 20, 2016 (WO) DM/093 410

(51) **LOC (11) Cl.** **10-02**

(52) **U.S. Cl.**
USPC **D10/39**

(58) **Field of Classification Search**
USPC D10/1-29, 30, 31, 33, 34, 37, 38, 39,
D10/122, 123, 124, 126, 127; D11/1, 2,
D11/3
CPC G04B 3/04; G04B 3/048; G04B 19/00;
G04B 19/02; G04B 19/04; G04B 19/044;
G04B 19/048; G04B 19/06; G04B 19/10;
G04B 5/005; G04B 5/20
See application file for complete search history.

(56) **References Cited**

U.S. PATENT DOCUMENTS

442,443 A * 12/1890 Kornrumpf G04B 39/002
368/295
D22,703 S * 8/1893 Ball D10/127
D172,442 S * 6/1954 Richter D10/39
4,972,393 A * 11/1990 Sase G04C 17/0066
368/28
D323,627 S * 2/1992 Krieger D10/30
D334,715 S * 4/1993 Besson D10/126

OTHER PUBLICATIONS

A Blog to Watch, JeanRichard Aquascope Watch with Hokusai, posted Feb. 17, 2014, [online], [site visited Mar. 10, 2018]. Available from Internet, <URL: <https://www.ablogtowatch.com/jeanrichard-aquascope-watch-hokusai-great-wave-dial-japan/>> (Year: 2014).*

(Continued)

Primary Examiner — Sheryl Lane
Assistant Examiner — Samatha N Wood
(74) *Attorney, Agent, or Firm* — Blank Rome LLP

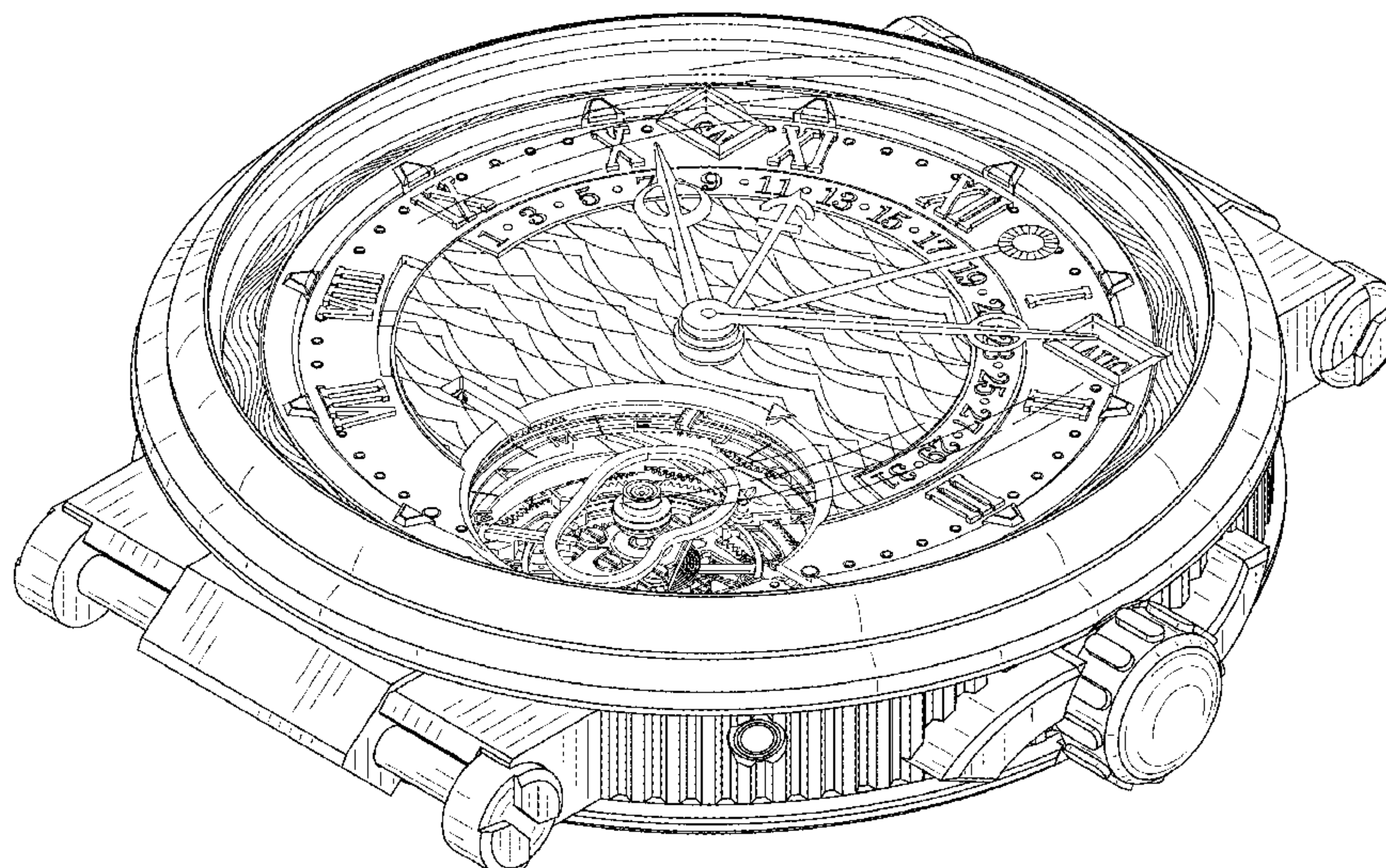
(57) **CLAIM**

The ornamental design for a watch, as shown.

DESCRIPTION

FIG. 1 is a front right perspective view of a watch showing my new design;
FIG. 2 is a rear left perspective view thereof;
FIG. 3 is a front view thereof;
FIG. 4 is a rear view thereof;
FIG. 5 is a left side view thereof;
FIG. 6 is a right side view thereof;
FIG. 7 is a top view thereof;
FIG. 8 is a bottom view thereof;
FIG. 9 is a front left perspective view thereof; and,
FIG. 10 is a rear right perspective view thereof.

1 Claim, 8 Drawing Sheets



(56)

References Cited

U.S. PATENT DOCUMENTS

D727,753 S * 4/2015 Laucella D10/39
D744,871 S * 12/2015 Rabassa D10/126

OTHER PUBLICATIONS

A Blog to Watch, Omega Seamaster 300M GMT “James Bond”
Watch Review, posted Jul. 13, 2012, [online], [site visited Apr. 10,
2018]. Available from Internet, <URL: <https://www.ablogtowatch.com/omega-seamaster-300m-gmt-james-bond-watch-review/>>
(Year: 2012).*

* cited by examiner

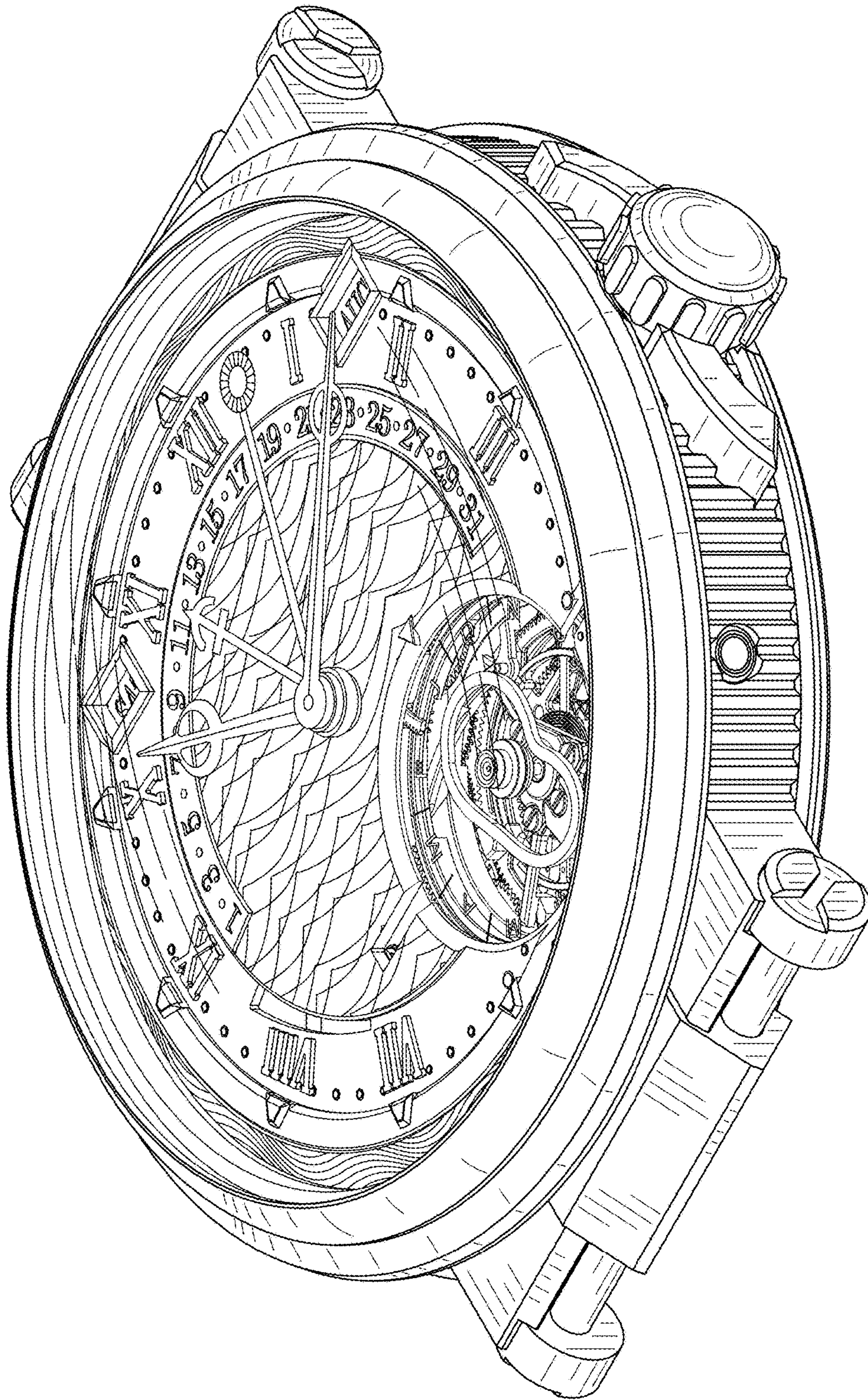


FIG. 1

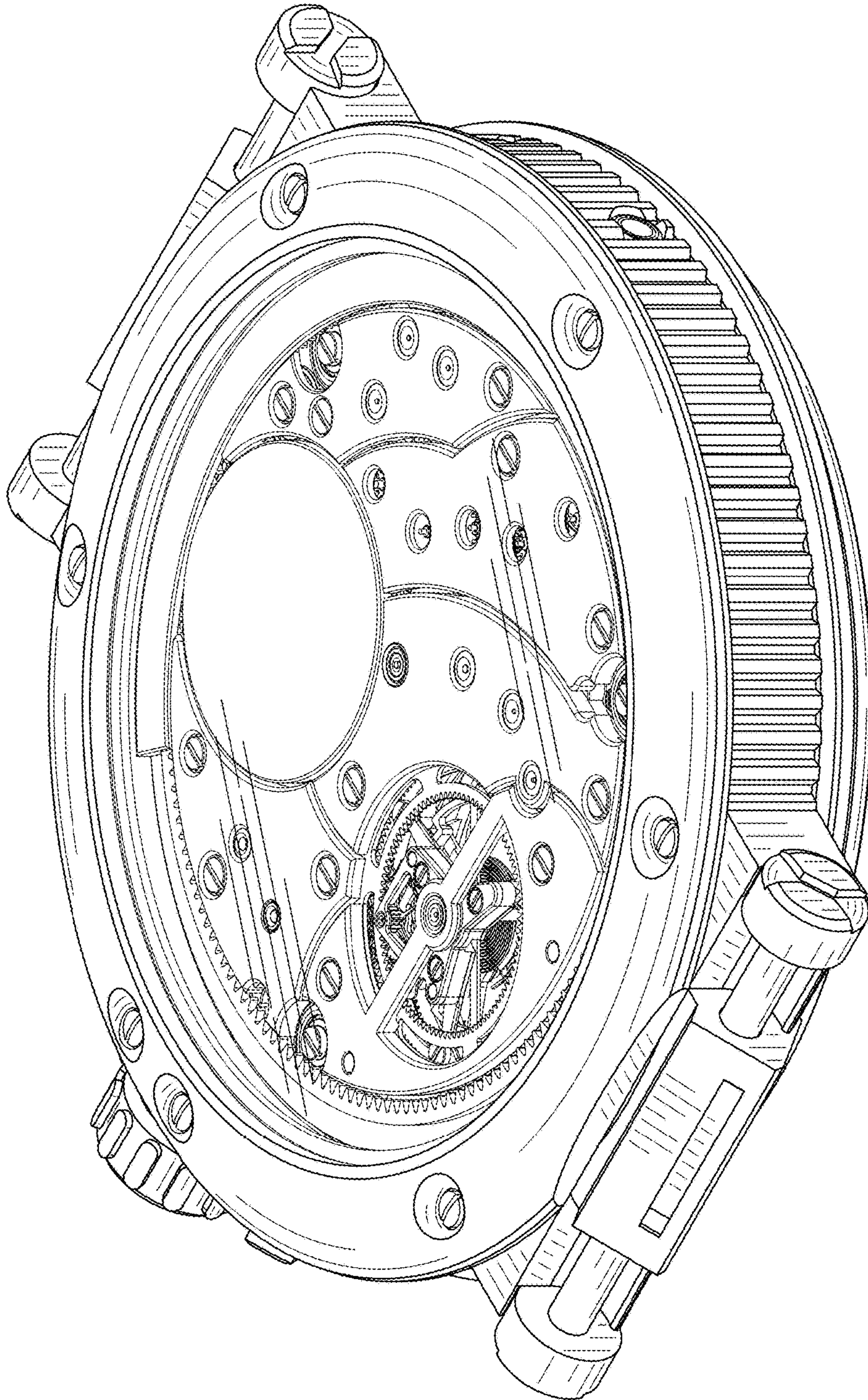


FIG. 2

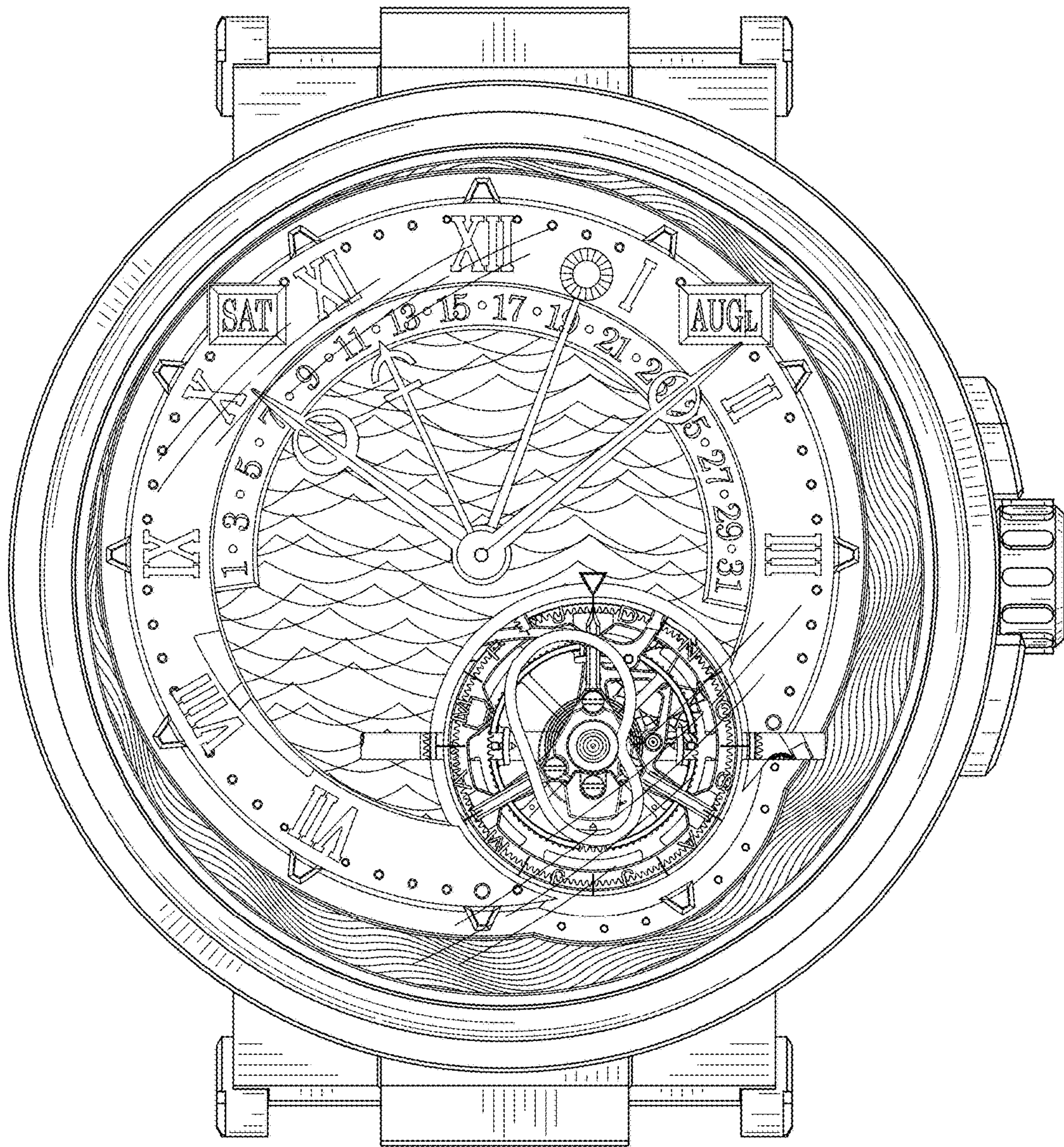


FIG. 3



FIG. 4

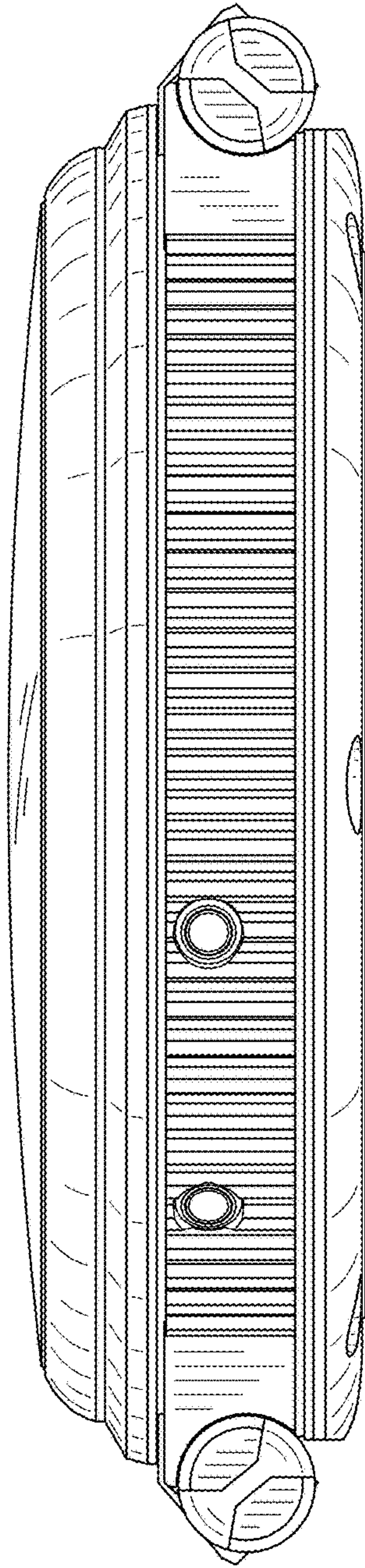


FIG. 5

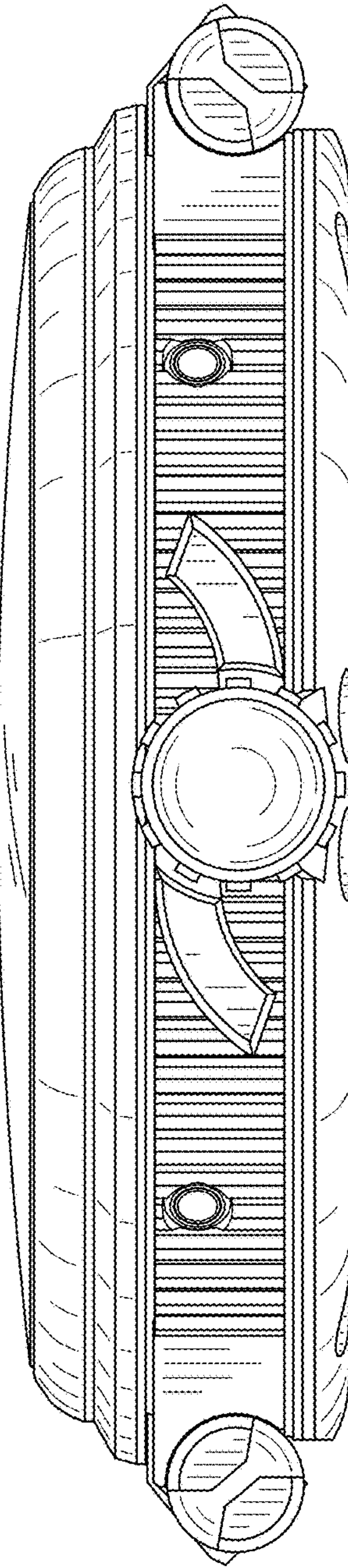


FIG. 6

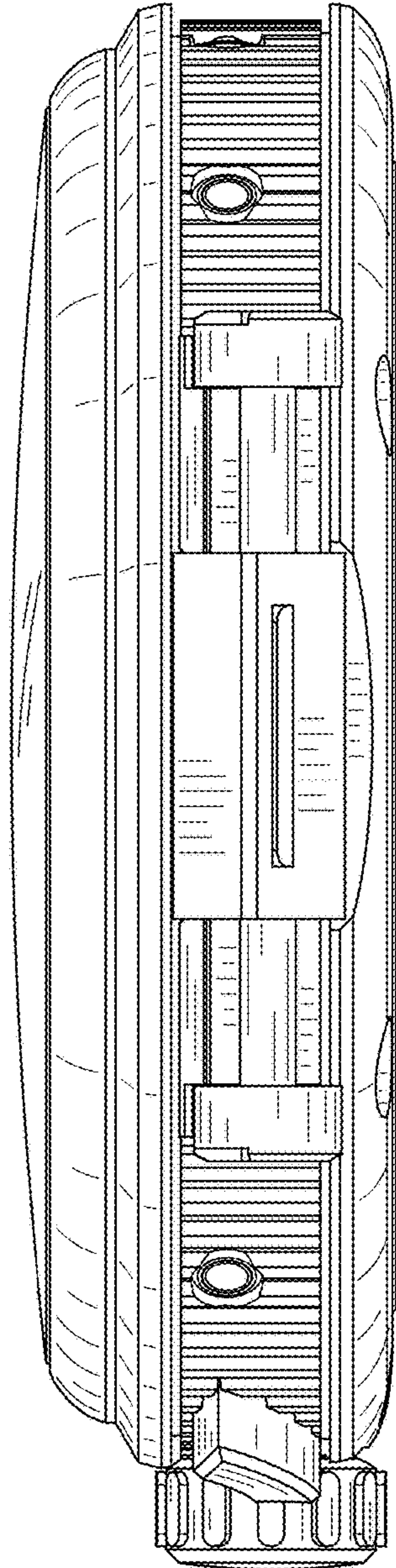


FIG. 7

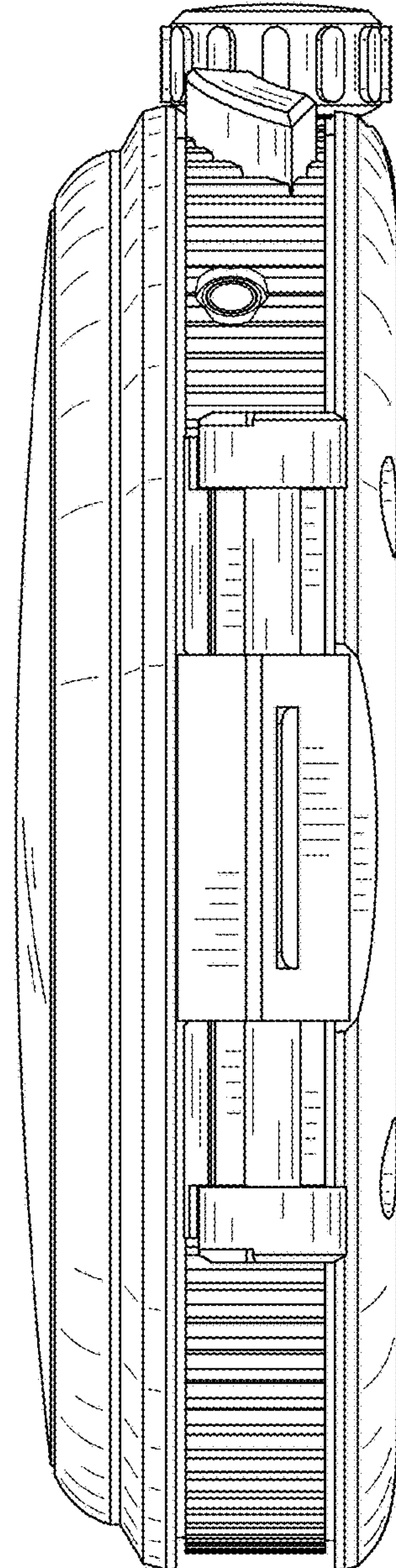


FIG. 8

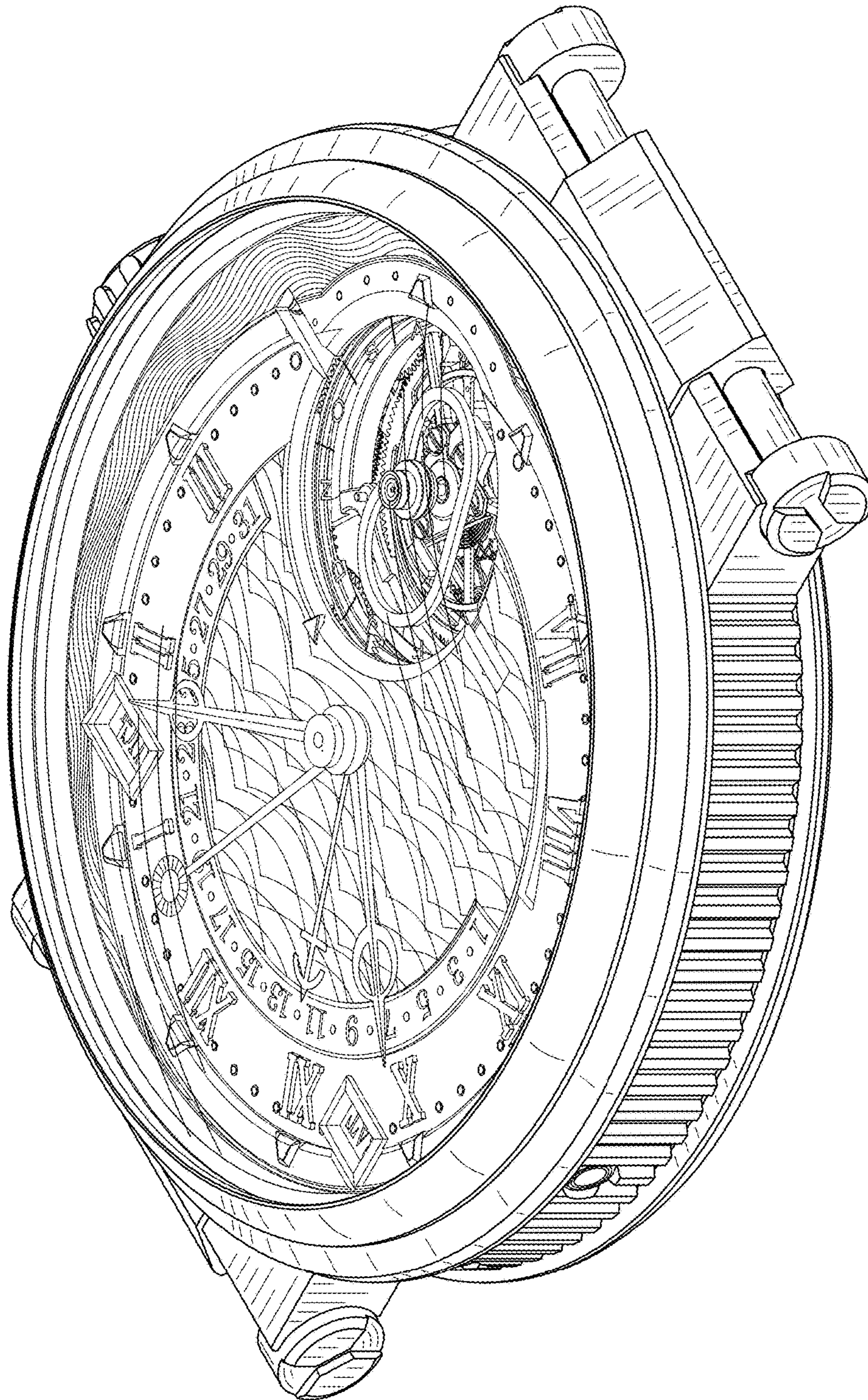


FIG. 9

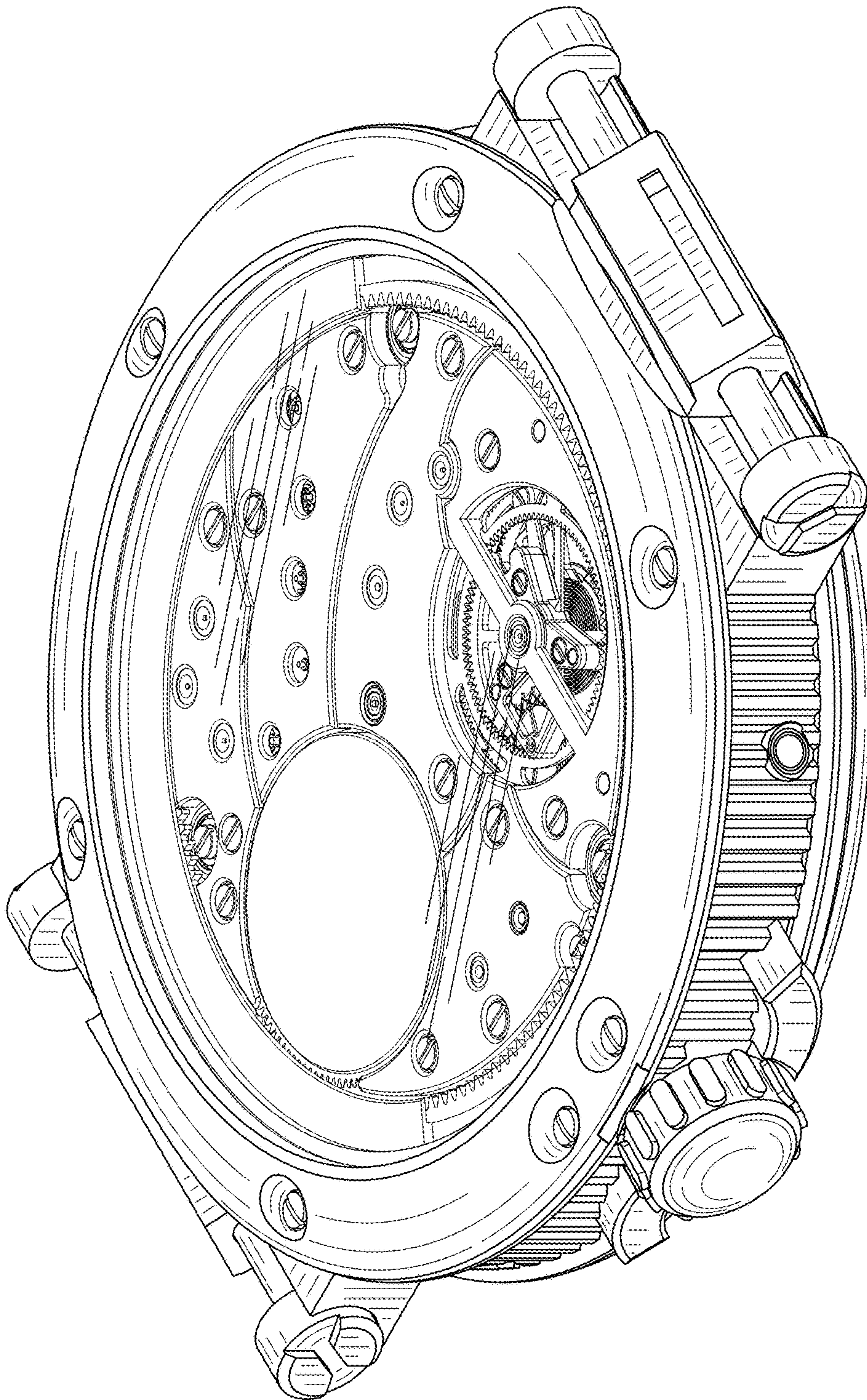


FIG. 10