



US00D827451S

(12) **United States Design Patent** (10) **Patent No.:** **US D827,451 S**
Parikh et al. (45) **Date of Patent:** **** *Sep. 4, 2018**

(54) **FOOD CONTAINER**

B65D 2543/00425; B65D 85/60; B65D 43/162

(71) Applicant: **Polarpak Inc.**, Toronto (CA)

See application file for complete search history.

(72) Inventors: **Samir Parikh**, Brampton (CA);
Jaskaran Sukhija, Brampton (CA)

(56) **References Cited**

(73) Assignee: **Polarpak, Inc.**, Toronto (CA)

U.S. PATENT DOCUMENTS

(*) Notice: This patent is subject to a terminal disclaimer.

D148,824 S *	2/1948	Shepard	206/427
D155,932 S *	11/1949	Shepard	206/446
D201,579 S *	7/1965	Weiss	D9/415
3,322,267 A *	5/1967	Weiss	B65D 21/0235 206/504
3,372,812 A *	3/1968	Parcels	A47F 7/0057 206/445

(**) Term: **15 Years**

(Continued)

(21) Appl. No.: **29/577,630**

OTHER PUBLICATIONS

(22) Filed: **Sep. 14, 2016**

Clear Food Containers—10 Cookie Tray Clamshell, available Aug. 3, 2017, [online], [site visited Aug. 3, 2017]. Available from internet, <URL: https://www.amazon.com/Clear-Food-Containers-Clamshell-WRAPS-10TRAY/dp/B01B27DP5G/ref=sr_1_237?ie=UTF8&qid=1501767399&sr=8-237&keywords=clamshell+containers.*>

(51) **LOC (11) Cl.** **09-03**

(52) **U.S. Cl.**
USPC **D9/756**

(58) **Field of Classification Search**

USPC D9/414, 420–426, 429–432, 737, D9/756–762; D7/538, 540–542, 550.1, D7/553.1–553.3, 554.1, 554.3, 554.4, 555, D7/557, 584, 586, 601, 602, 610, 611, D7/614, 615, 701, 703, 707, 708; D3/206, 270, 294, 273, 203.3, 276, 282, D3/284, 293, 295–298, 302, 315, 901, D3/903, 905; 206/488, 457, 776, 551, 206/754, 755, 804, 817, 589, 579; 220/780–806, 475, 674, 675, 4.21–4.24, 220/555, 556, 810, 836, 837, 841, 366.1, 220/467; 229/906, 902, 904, 406, 407, 229/903, 110; 426/106

CPC B65D 21/0223; B65D 75/24; B65D 75/32; B65D 75/324; B65D 81/025; B65D 1/36; B65D 2543/00194; B65D 2543/00296; B65D 2543/00203; B65D 2543/00351;

(Continued)

Primary Examiner — Cathron Brooks
Assistant Examiner — Teddy Falloway
(74) *Attorney, Agent, or Firm* — Seth Blum

(57) **CLAIM**

The ornamental design for the food container, as shown and described.

DESCRIPTION

FIG. 1 is a top right front perspective view of the food container;
FIG. 2 is a bottom right back perspective view thereof;
FIG. 3 is a front right perspective view thereof, shown in an open configuration;
FIG. 4 is a bottom plan view thereof;
FIG. 5 is a front elevational view thereof;
FIG. 6 is a top plan view thereof;

(Continued)

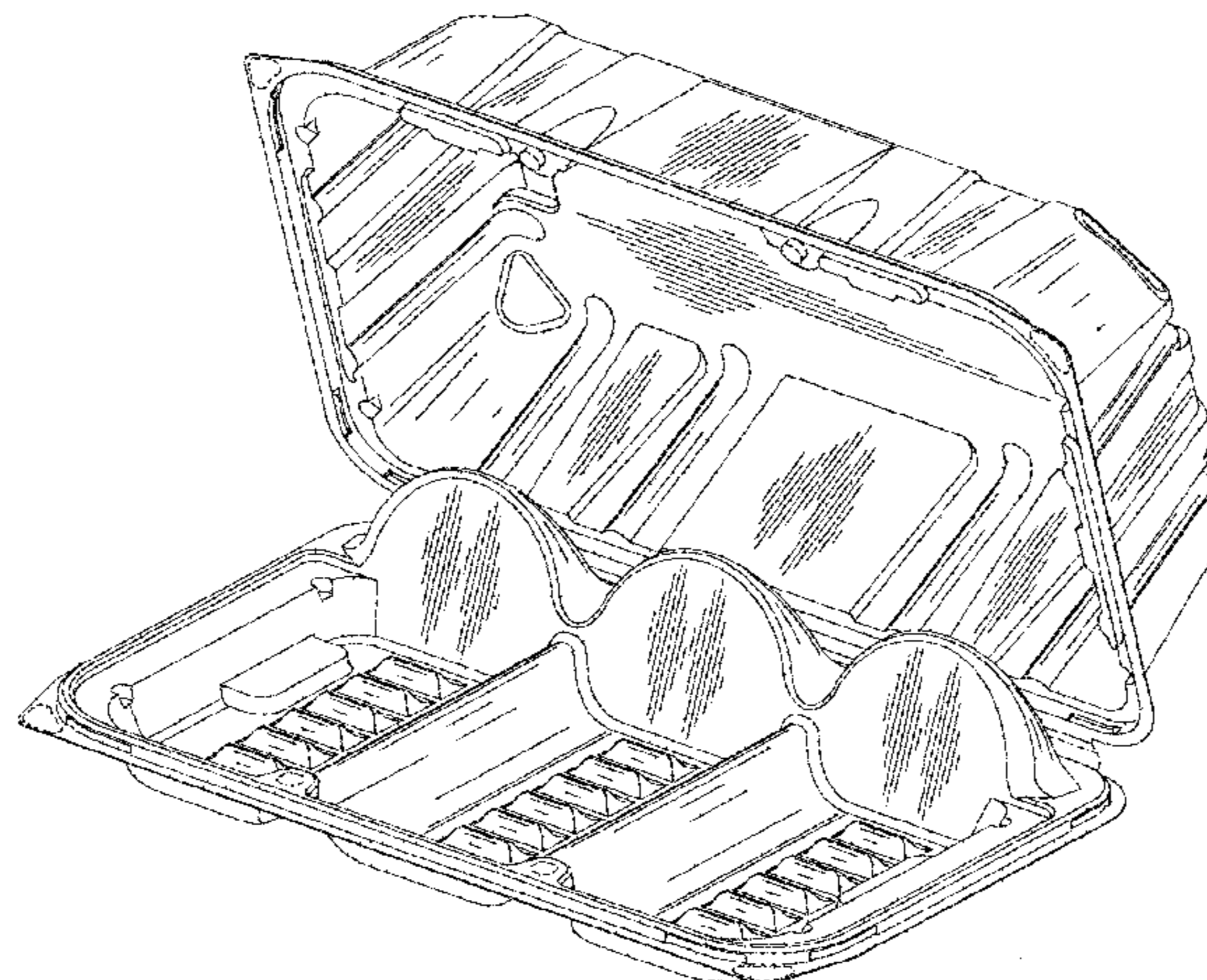


FIG. 7 is a back elevational view thereof; and,
 FIG. 8 is a left side view thereof, the right side view being
 a mirror image.
 The broken lines illustrate portions of the food container and
 form no part of the claimed design.

1 Claim, 8 Drawing Sheets

(56)

References Cited

U.S. PATENT DOCUMENTS

D215,823	S	*	11/1969	Bridgford	D7/357
D219,645	S	*	1/1971	Rabe	220/575
D222,580	S	*	11/1971	Nakakuma	206/705
D222,581	S	*	11/1971	Nakakuma	206/705
D258,722	S	*	3/1981	Commisso	D9/423
D410,840	S	*	6/1999	Wyslotsky	D9/418
D427,523	S	*	7/2000	Calcerano	D9/415
D543,843	S	*	6/2007	Gehring	B65D 25/205 D9/425

D602,774	S	*	10/2009	Parikh	D9/435
D616,250	S	*	5/2010	Peyton	D7/553.3
D620,350	S	*	7/2010	Hernandez	D9/425
D651,922	S	*	1/2012	Short	D9/737
8,584,881	B2	*	11/2013	Hernandez	B65D 21/0223 206/521
D715,639	S	*	10/2014	Sumiyoshi	D9/424
D722,496	S	*	2/2015	Ambelang	D9/424
D758,849	S	*	6/2016	Dibnah	D9/429
D758,850	S	*	6/2016	Dibnah	D9/429
D792,160	S	*	7/2017	Ng	D7/538
2004/0182740	A1	*	9/2004	Lechelle	B65D 75/24 206/557
2010/0072217	A1	*	3/2010	Parikh	B65D 55/024 220/833
2016/0318682	A1	*	11/2016	Vorobej	A45C 11/10

OTHER PUBLICATIONS

2 Compartment Cookie Container, available Aug. 3, 2017, [online],
 [site visited Aug. 3, 2017]. Available from internet, <URL: <https://www.brenmarco.com/product/2-compartment-cookie-container/>>.*

* cited by examiner

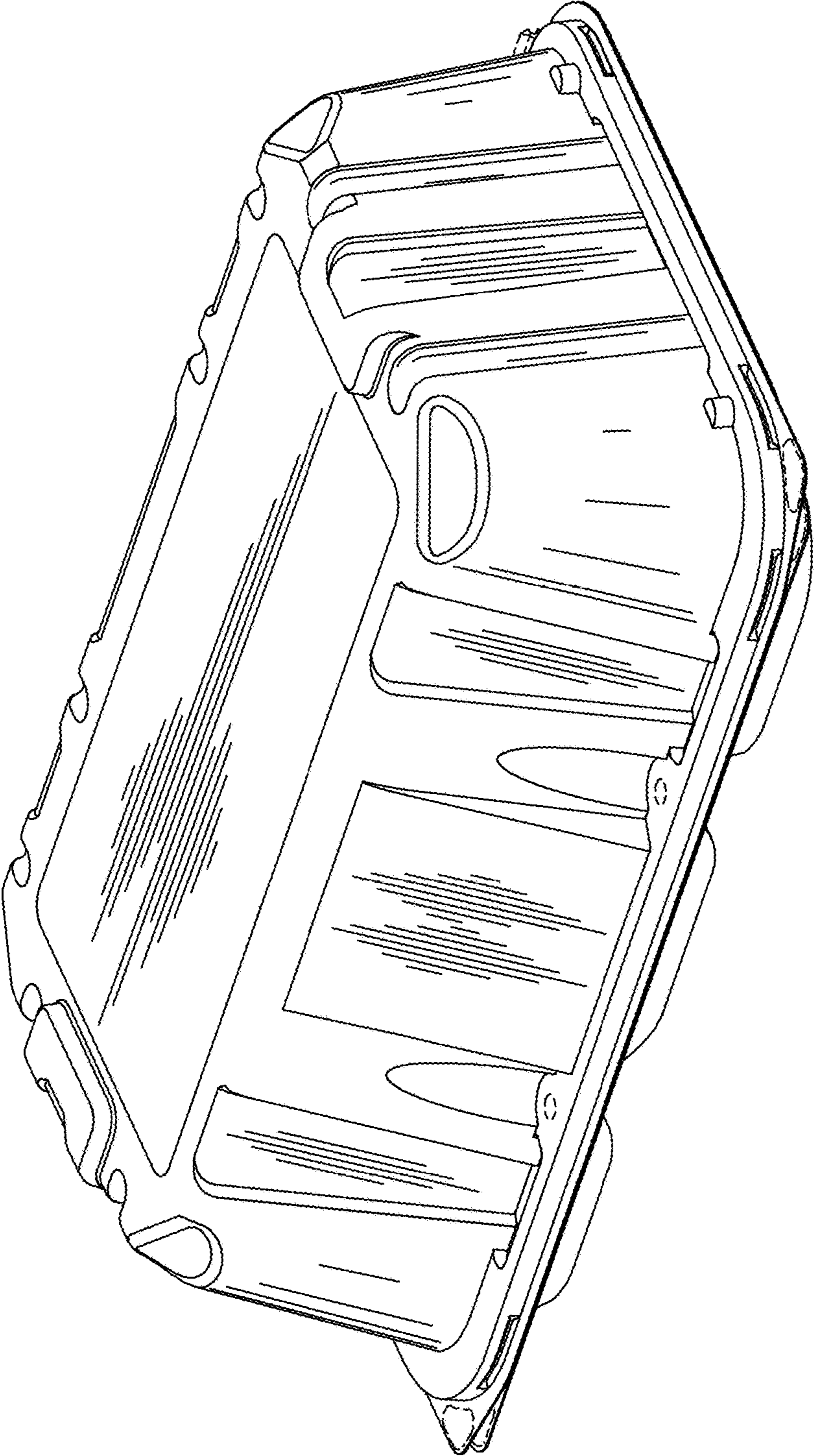


FIG 1

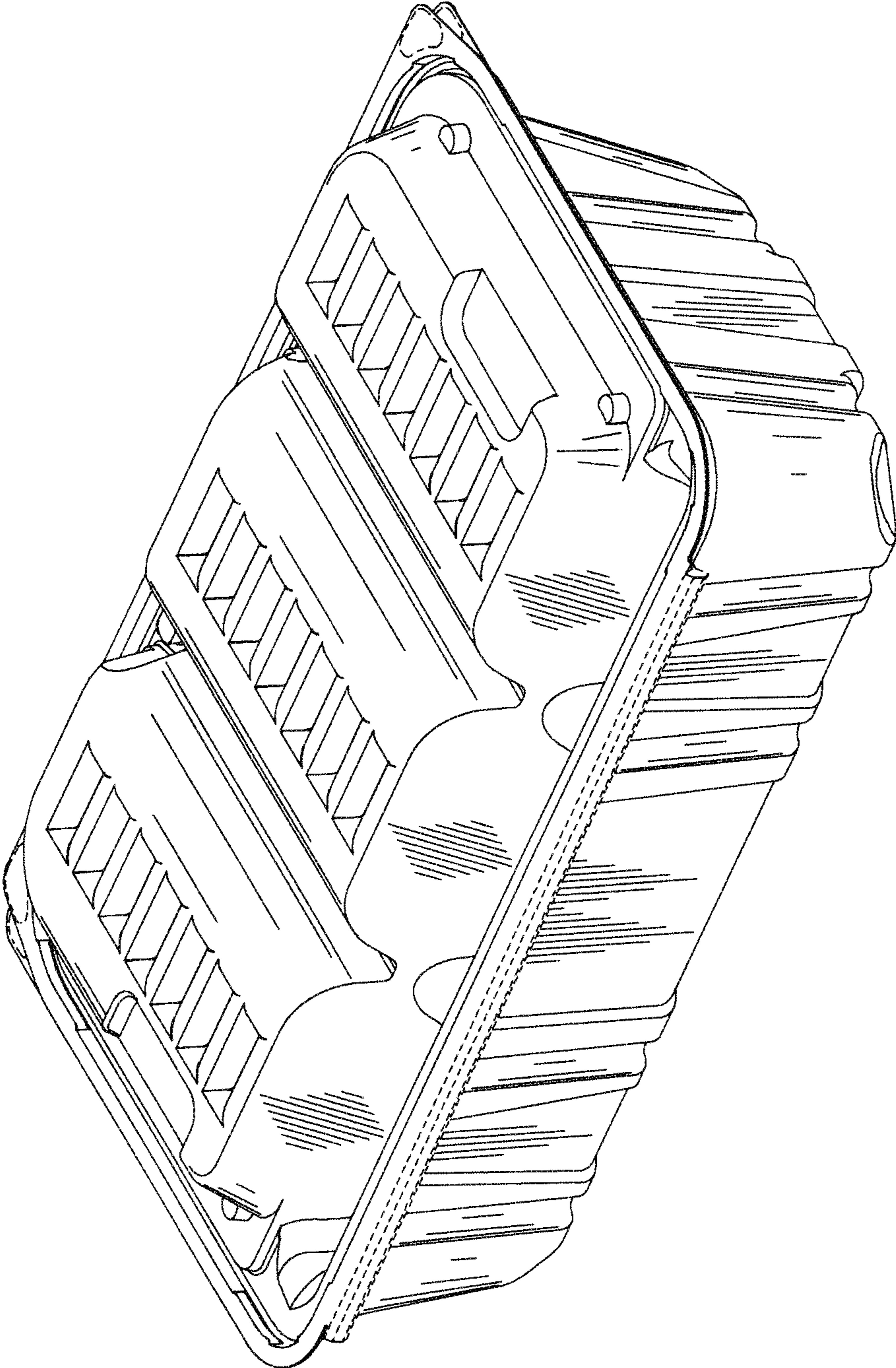


FIG 2

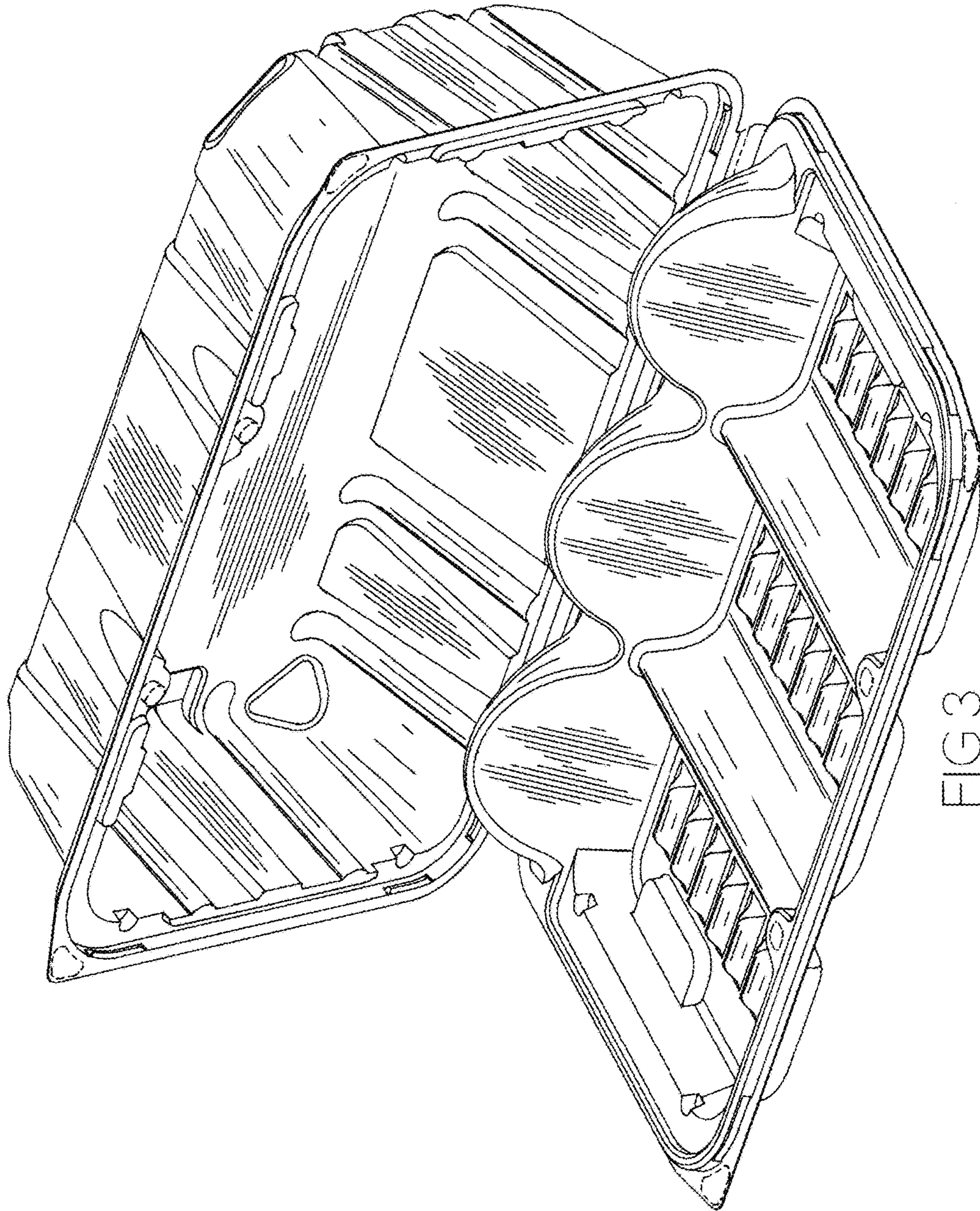


FIG 3

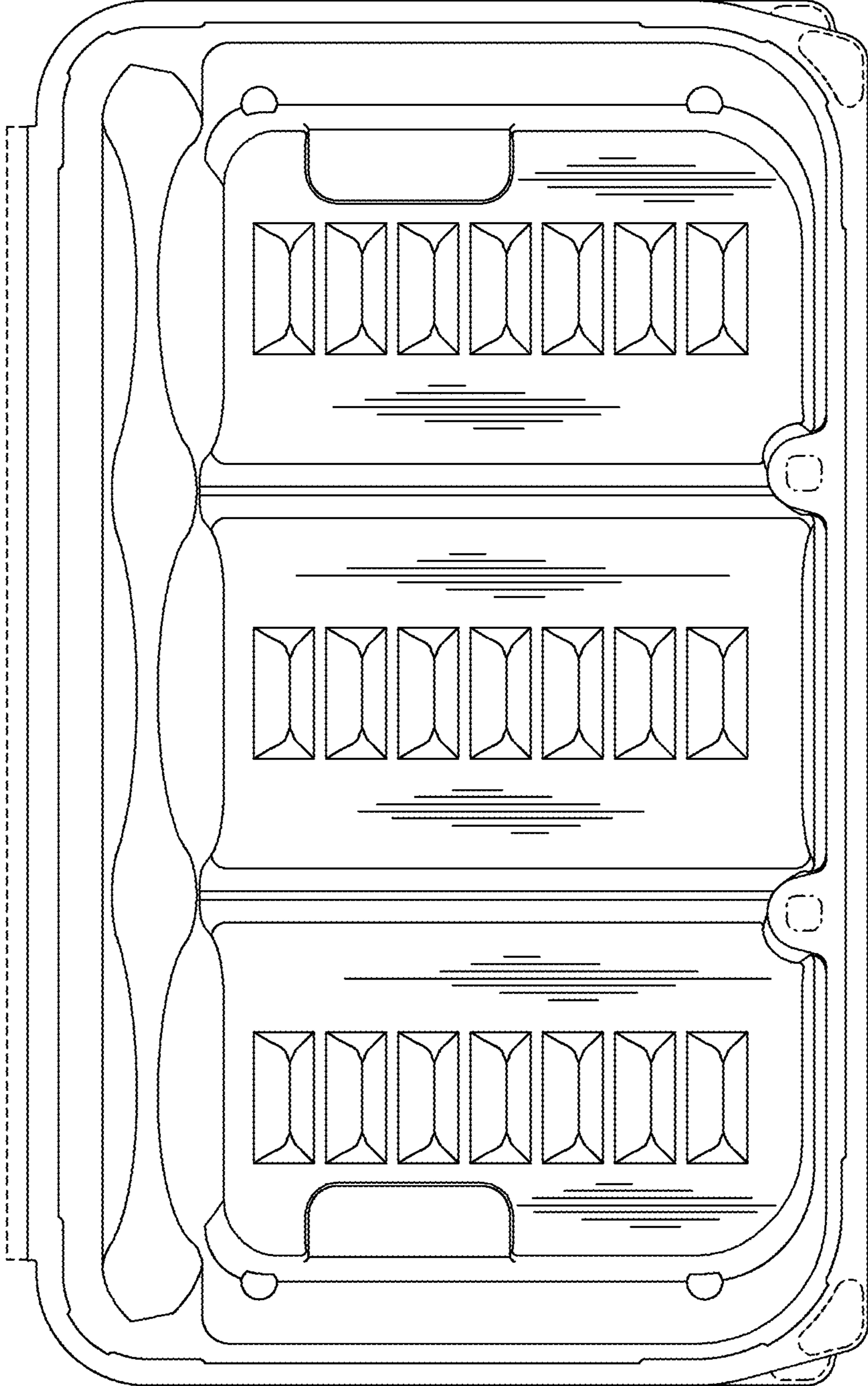


FIG 4

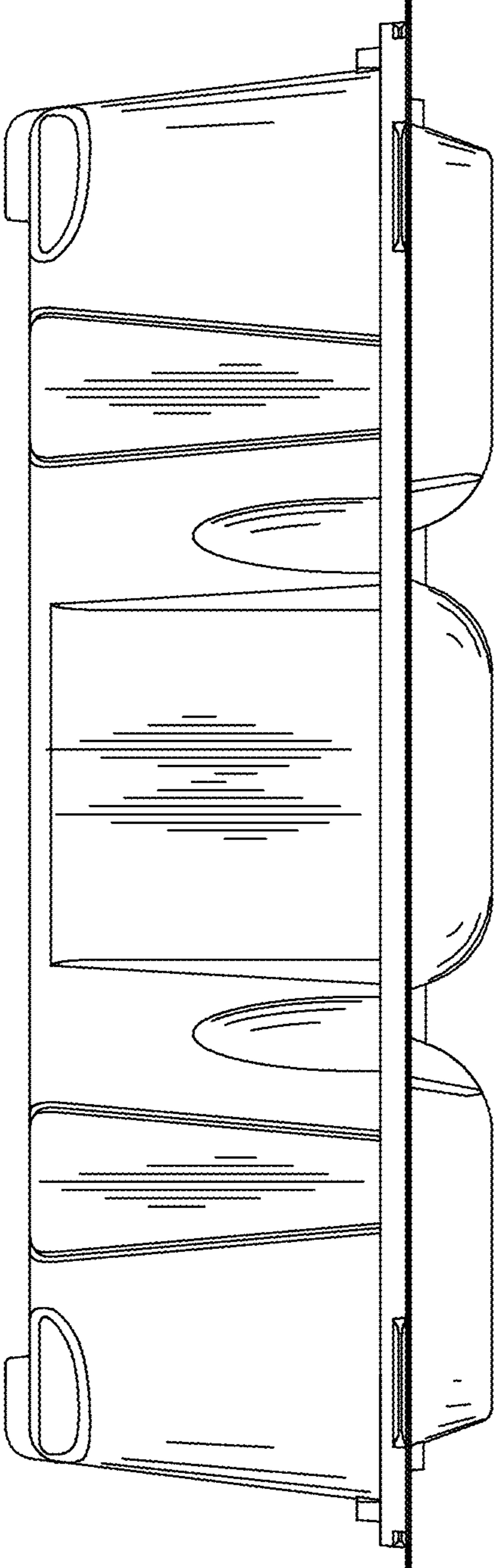


FIG 5

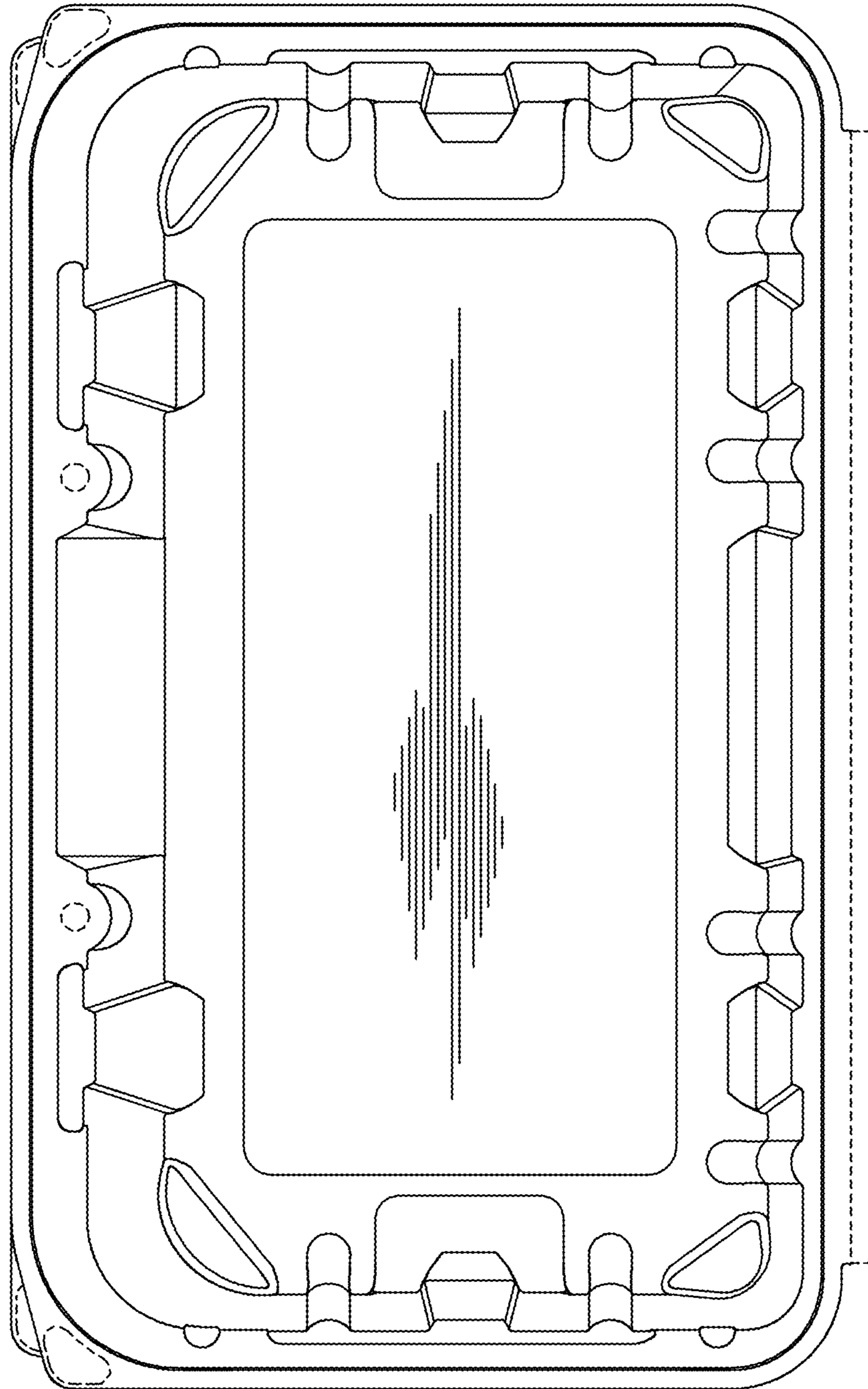


FIG 6

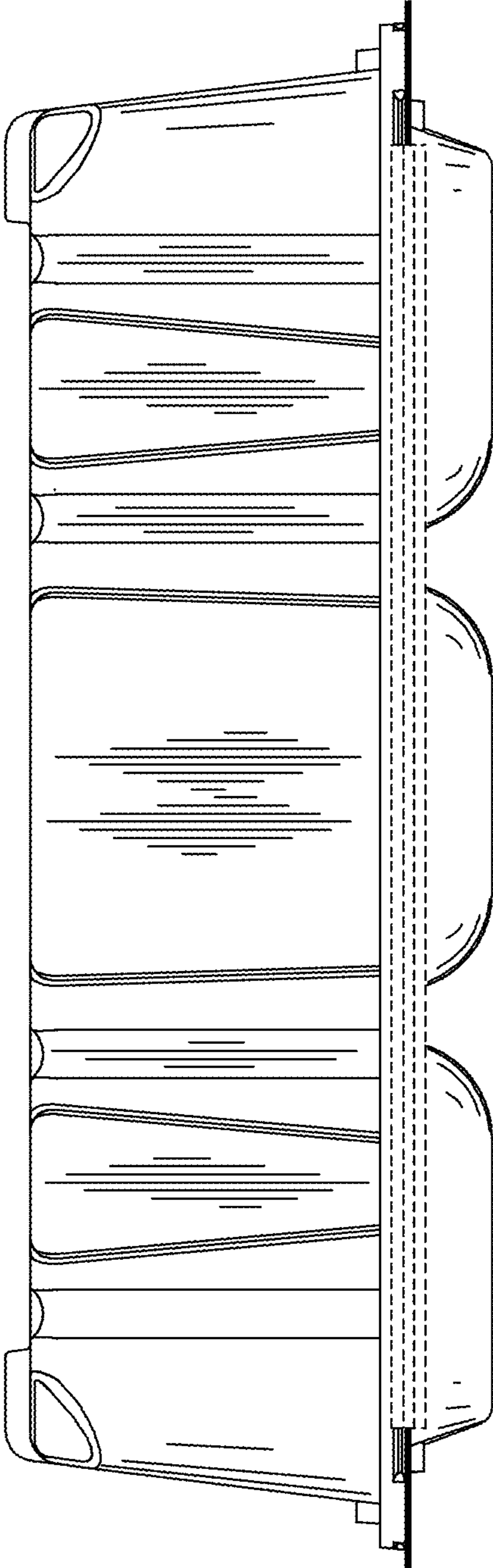


FIG 7

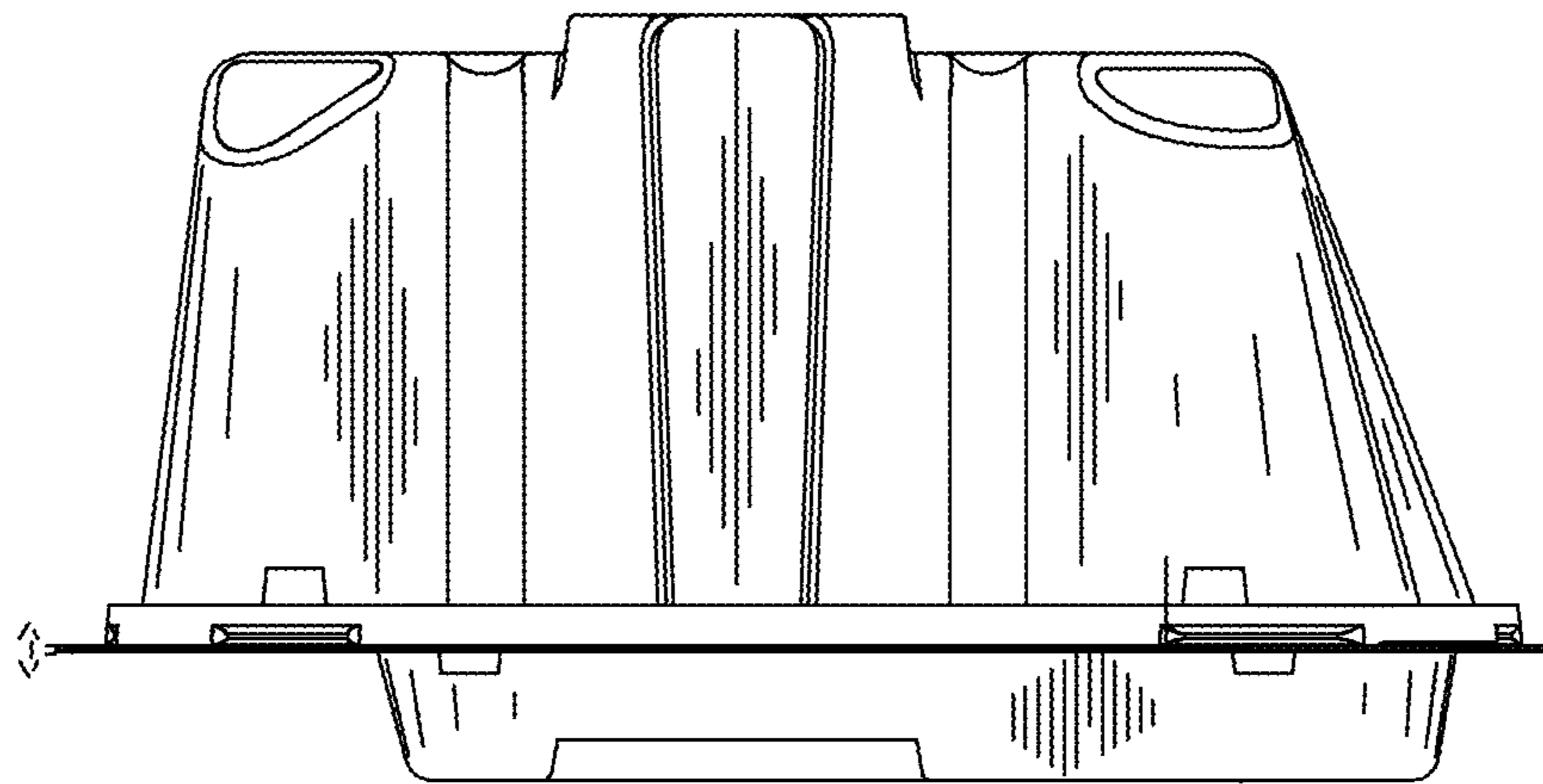


FIG 8