



US00D827450S

(12) **United States Design Patent** (10) **Patent No.:** **US D827,450 S**
Loukov (45) **Date of Patent:** **** Sep. 4, 2018**

(54) **ROLLER APPLICATOR**
(71) Applicant: **Orange Products, Inc.**, Allentown, PA (US)
(72) Inventor: **Stefan Loukov**, Coram, NY (US)
(**) Term: **15 Years**
(21) Appl. No.: **29/584,484**
(22) Filed: **Nov. 15, 2016**
(51) **LOC (11) Cl.** **09-01**
(52) **U.S. Cl.**
USPC **D9/726**
(58) **Field of Classification Search**
USPC D4/114; D9/442, 695-699, 702-714, D9/723-729; D24/199; D28/7; 132/317, 318, 320; 222/95, 207, 212, 222/335
CPC A45D 34/00; A45D 40/00; B65D 81/3272
See application file for complete search history.

D266,146 S * 9/1982 Morris D9/542
D280,289 S * 8/1985 Aldrich, III D9/542
D281,228 S * 11/1985 Morgan D9/542
D333,780 S * 3/1993 Jones D9/726
D406,054 S * 2/1999 Wagner D9/725
2004/0018039 A1* 1/2004 Richard A45D 33/12 401/215

* cited by examiner

Primary Examiner — Derrick E Holland
Assistant Examiner — Janice Julia Patyk

(57) **CLAIM**

The ornamental design for a roller applicator, as shown and described.

DESCRIPTION

FIG. 1 is a top perspective view of a roller applicator, showing my new design;
FIG. 2 is a top perspective view thereof, shown without the cap for ease of illustration;
FIG. 3 is a side view thereof, shown without the cap for ease of illustration;
FIG. 4 is a bottom perspective view thereof, shown without the applicator body for ease of illustration;
FIG. 5 is bottom view thereof, shown without the applicator body for ease of illustration; and,
FIG. 6 is a cross-sectional view thereof, taken along line 6-6 of FIG. 4.

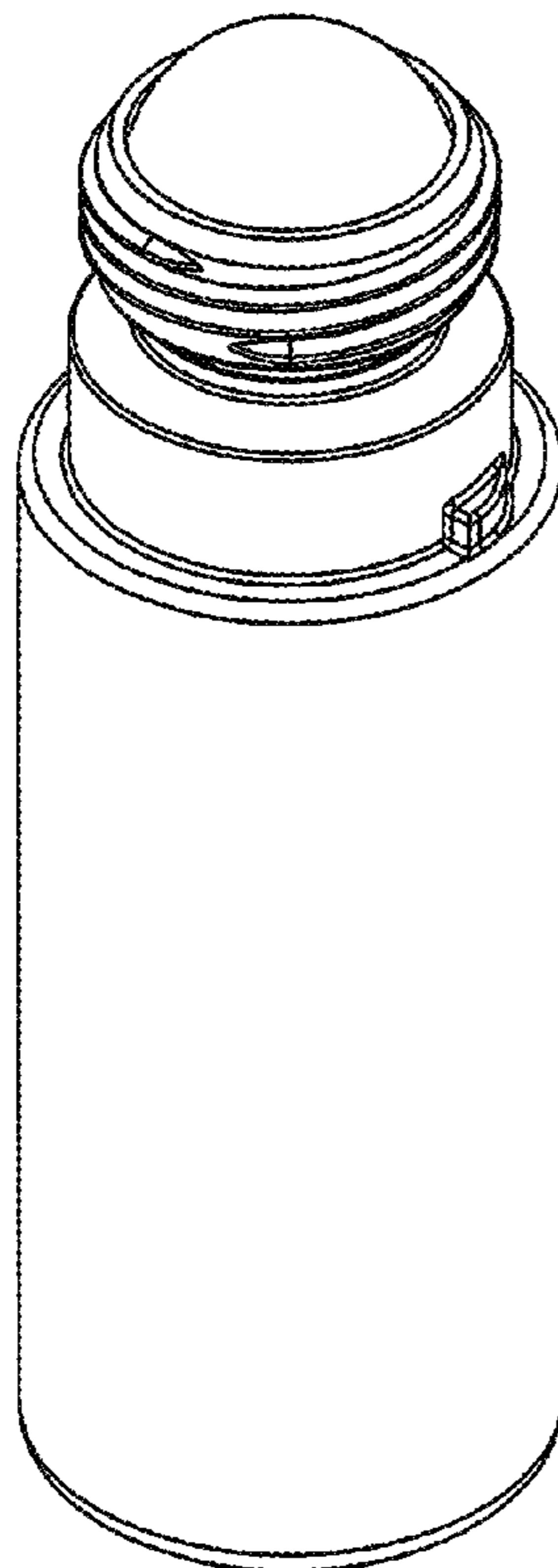
The broken lines in the figures illustrate the portions of the design that form no part of the claimed design.

1 Claim, 3 Drawing Sheets

(56) **References Cited**

U.S. PATENT DOCUMENTS

2,968,826 A * 1/1961 Leshin A45D 34/041 401/209
D240,711 S * 7/1976 Angleman D9/504
4,050,826 A * 9/1977 Berghahn B65D 47/42 401/196



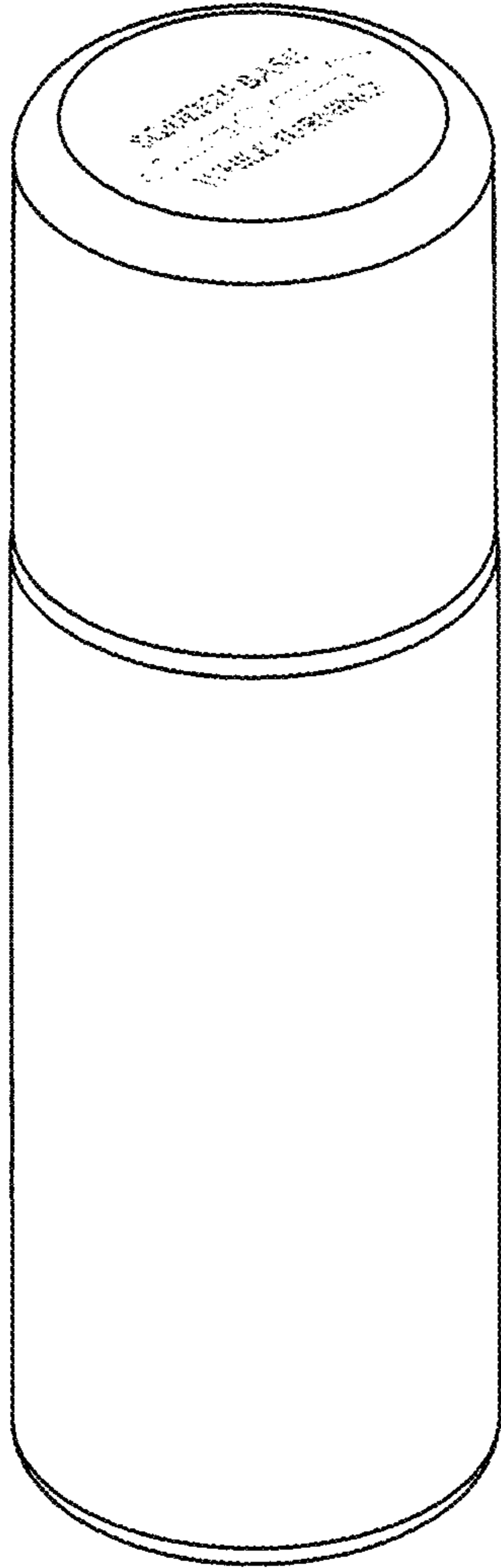


Fig. 1

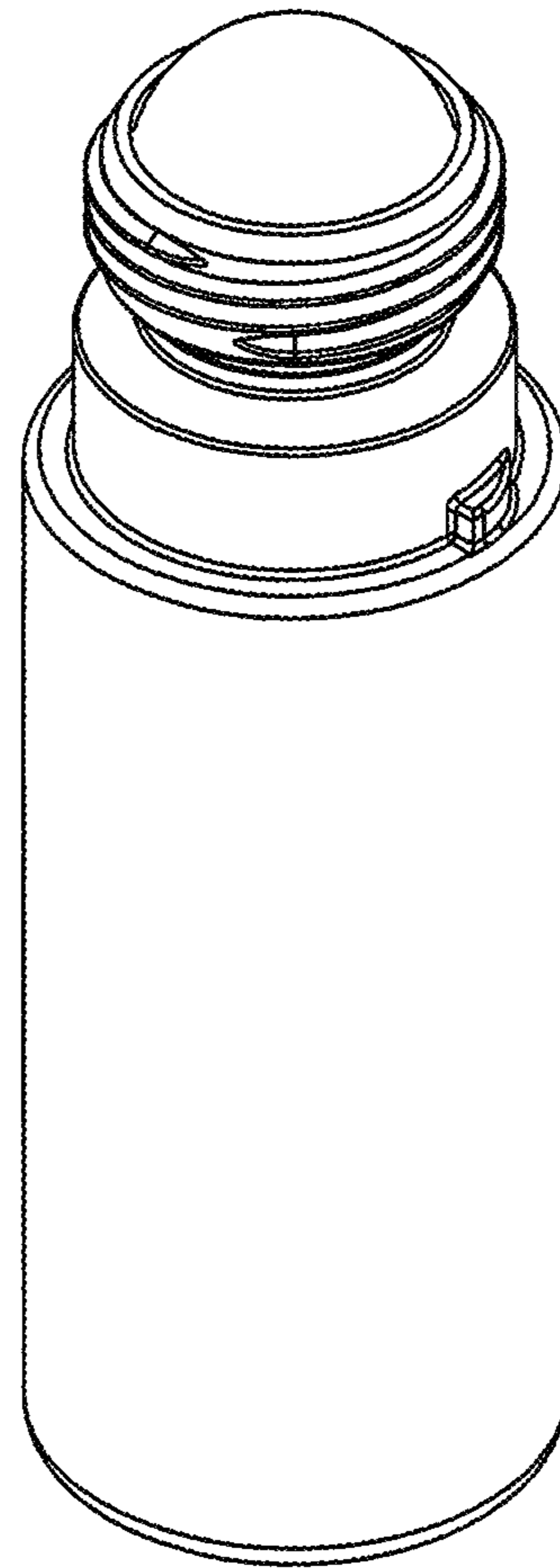


Fig. 2

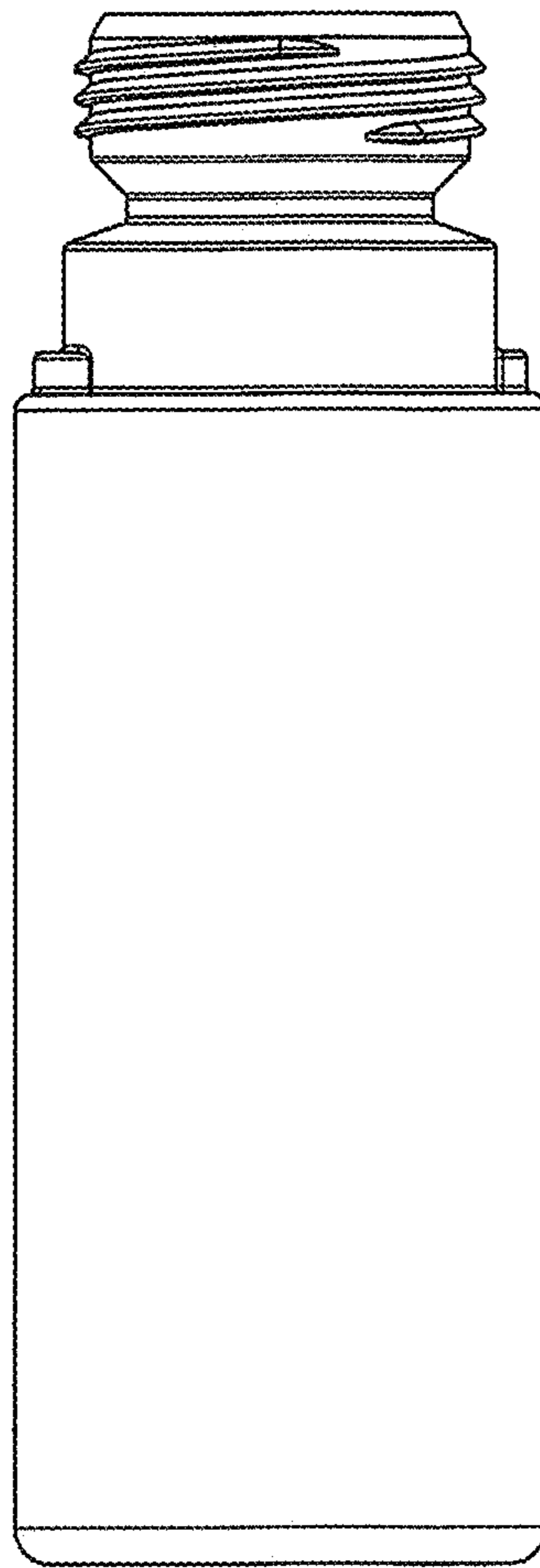


Fig. 3

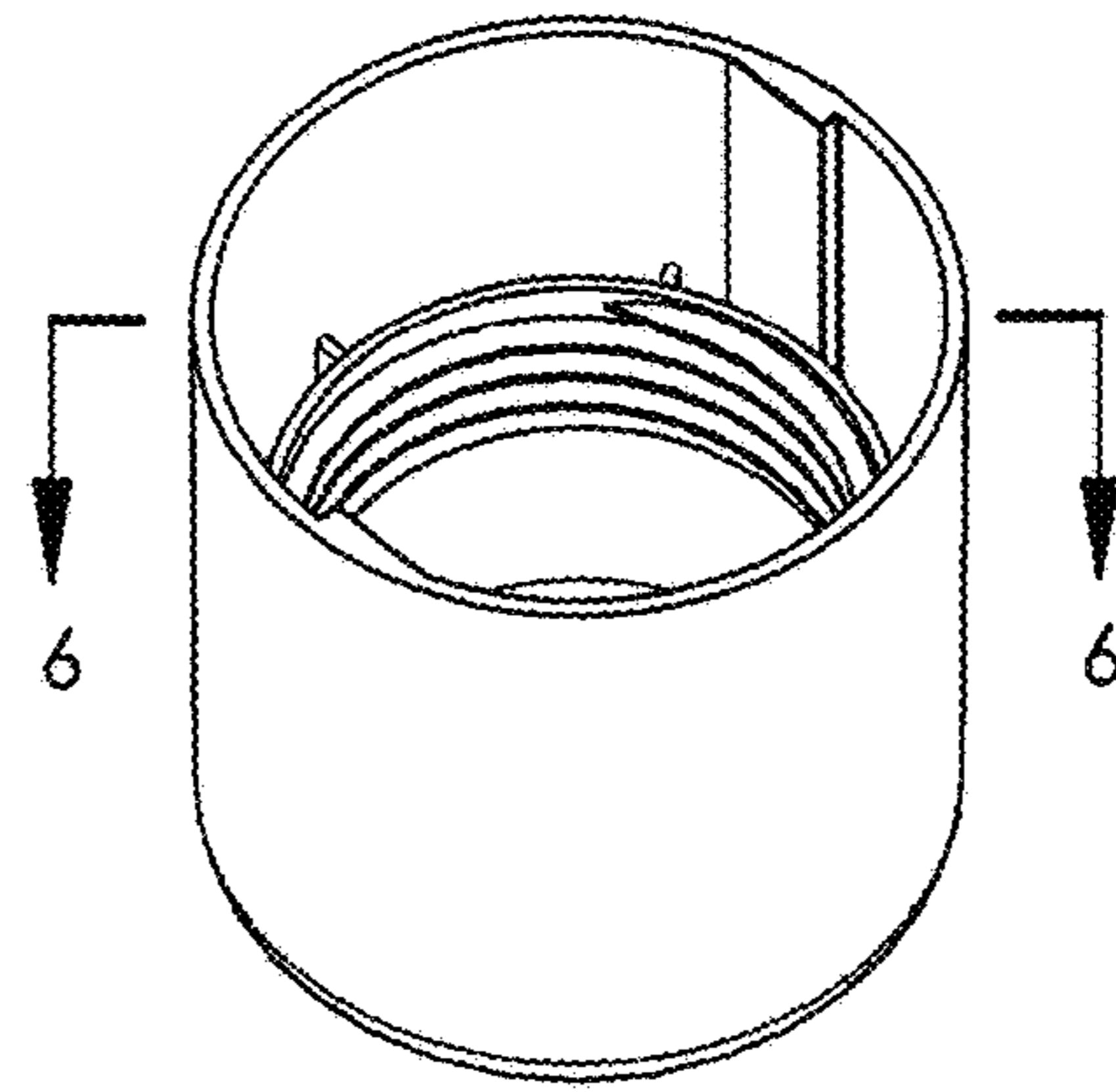


Fig. 4

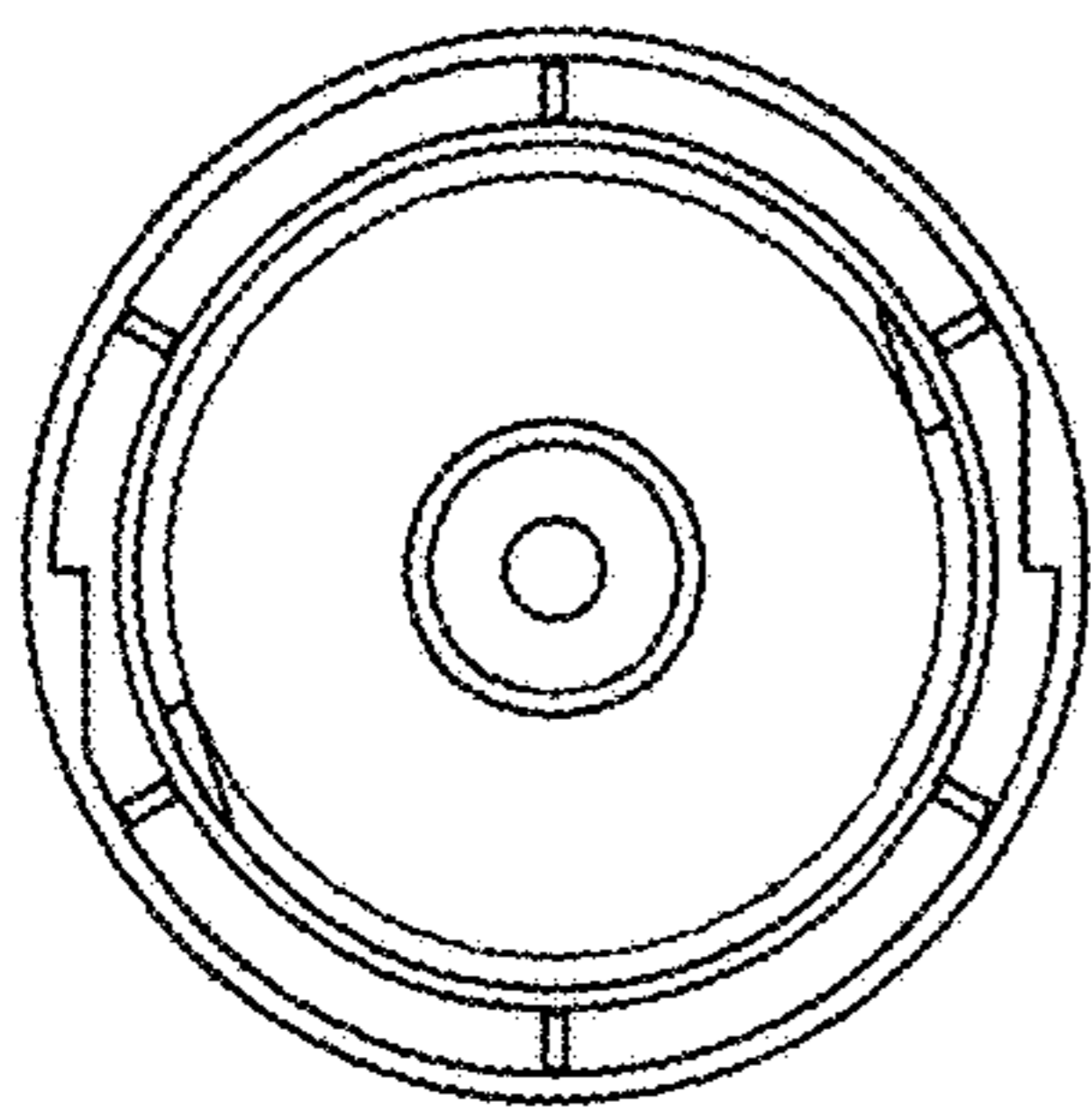


Fig. 5

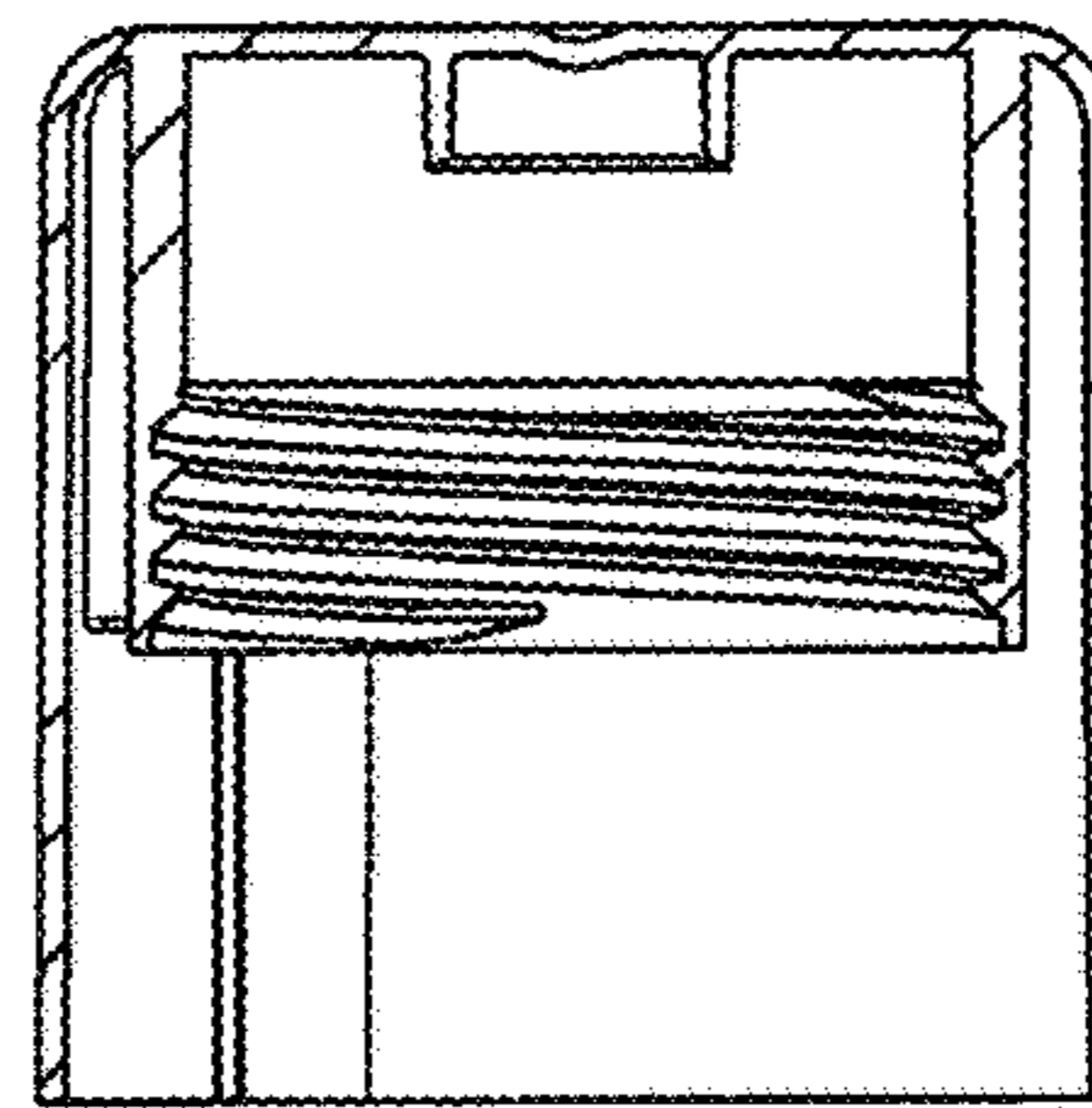


Fig. 6