



US00D827449S

(12) **United States Design Patent** (10) **Patent No.:** **US D827,449 S**
Roesler (45) **Date of Patent:** **** Sep. 4, 2018**

(54) **PACKAGING TUBE**
 (71) Applicant: **Thiemo Roesler**,
 Wangen-Neuravensburg (DE)
 (72) Inventor: **Thiemo Roesler**,
 Wangen-Neuravensburg (DE)
 (73) Assignee: **Roesler IP GmbH** (DE)
 (**) Term: **15 Years**
 (21) Appl. No.: **29/602,988**

(22) Filed: **May 5, 2017**
 (51) **LOC (11) Cl.** **09-05**
 (52) **U.S. Cl.**
 USPC **D9/711**
 (58) **Field of Classification Search**
 USPC D9/702-714, 695-699, 435, 440, 521,
 D9/454, 544, 723-724, 499, 449,
 D9/727-728, 442, 447, 504, 414, 417,
 D9/418, 420, 428, 516, 529, 549,
 D9/763-783; 222/92, 96, 107, 527-529,
 222/215, 491, 206, 212-213, 251, 95,
 222/536; 206/438, 822; 220/DIG. 7,
 220/669; 215/321, 381, 382, 316, 380;
 141/114-115; D28/91.1, 76-78, 82, 88;
 D19/191; D24/114, 121, 224, 227;
 D7/601-602, 591, 529, 527, 549,
 D7/624.1-624.3, 629; D3/202, 205;
 D11/143, 146

CPC B65D 35/00; B65D 35/28; B65D 35/02;
 B65D 35/04; B65D 35/08; B65D 35/36;
 B65D 1/00; B65D 1/32; B65D 59/04;
 B65D 85/12; Y10S 206/833
 See application file for complete search history.

(56) **References Cited**

U.S. PATENT DOCUMENTS

D670,574 S * 11/2012 Lafler D9/711
 D707,364 S * 6/2014 Spencer D24/224
 D730,746 S * 6/2015 Cywinski D9/711
 D732,684 S * 6/2015 Ooi D24/224
 D748,813 S * 2/2016 Ishiguro D24/224

* cited by examiner

Primary Examiner — Abraham Bahta
 (74) *Attorney, Agent, or Firm* — Cohen & Grigsby, PC

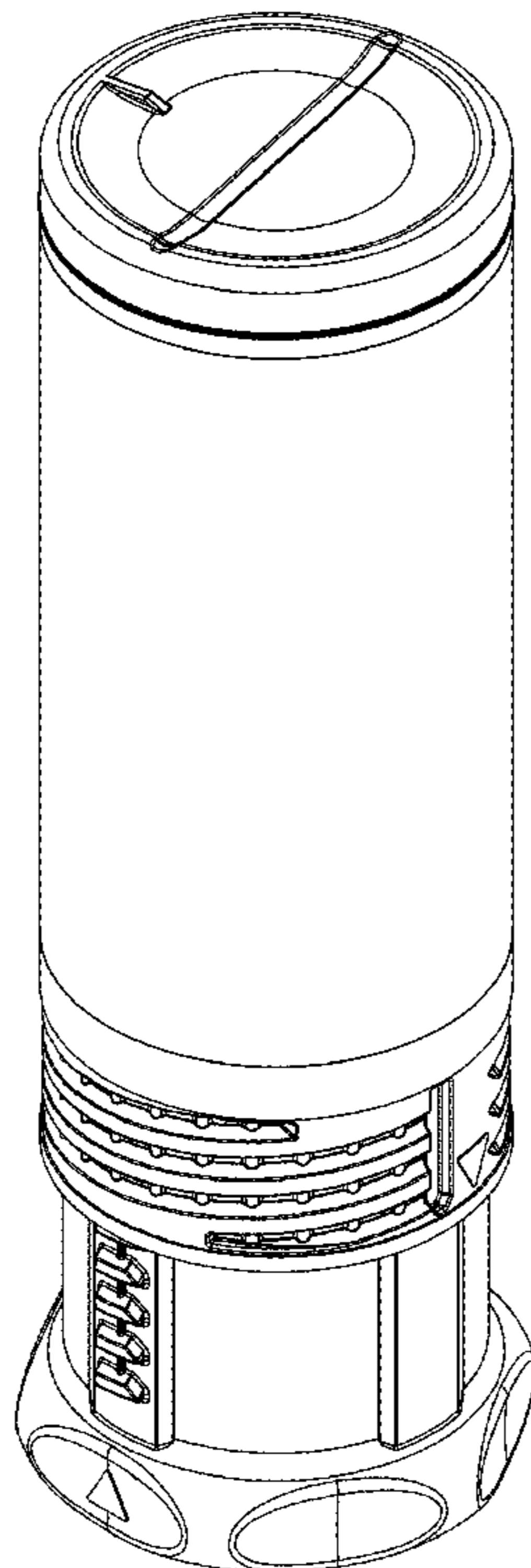
(57) **CLAIM**

The ornamental design for a packaging tube, as shown and described.

DESCRIPTION

FIG. 1 is a top perspective view of the packaging tube showing my new design.
 FIG. 2 is a front view of the packaging tube.
 FIG. 3 is a rear view of the packaging tube.
 FIG. 4 is right side view of the packaging tube.
 FIG. 5 is a left side view of the packaging tube.
 FIG. 6 is a top side view of the packaging tube; and,
 FIG. 7 is a bottom view of the packaging tube.

1 Claim, 6 Drawing Sheets



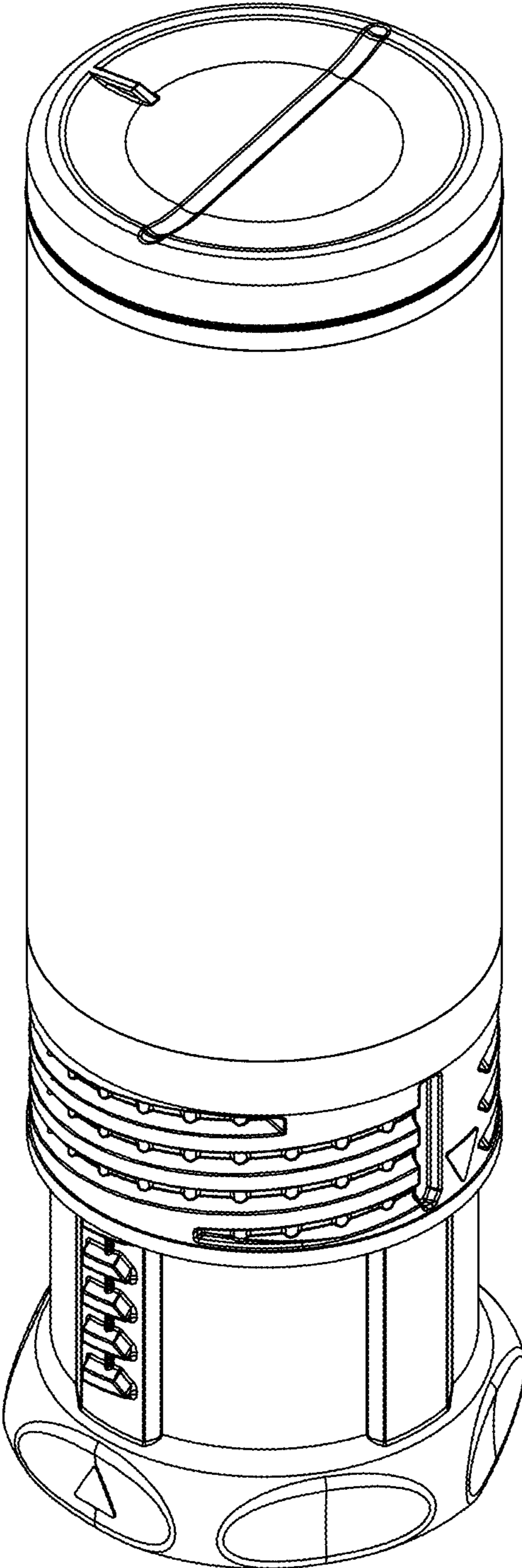


Fig. 1

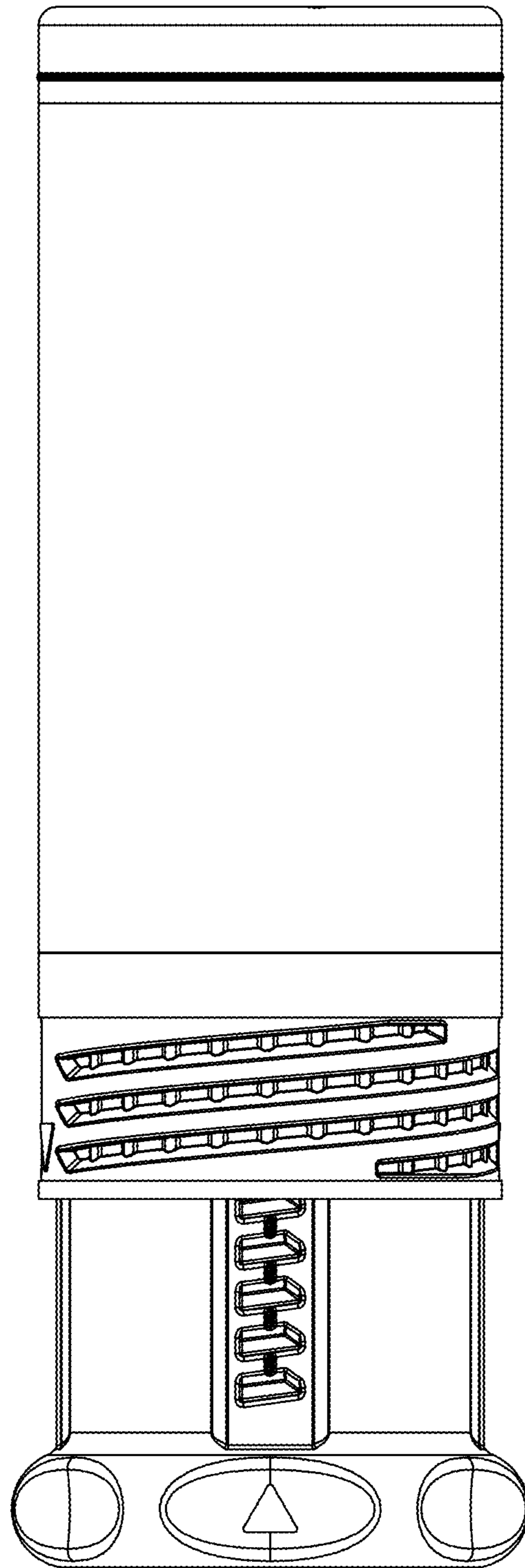


Fig. 2

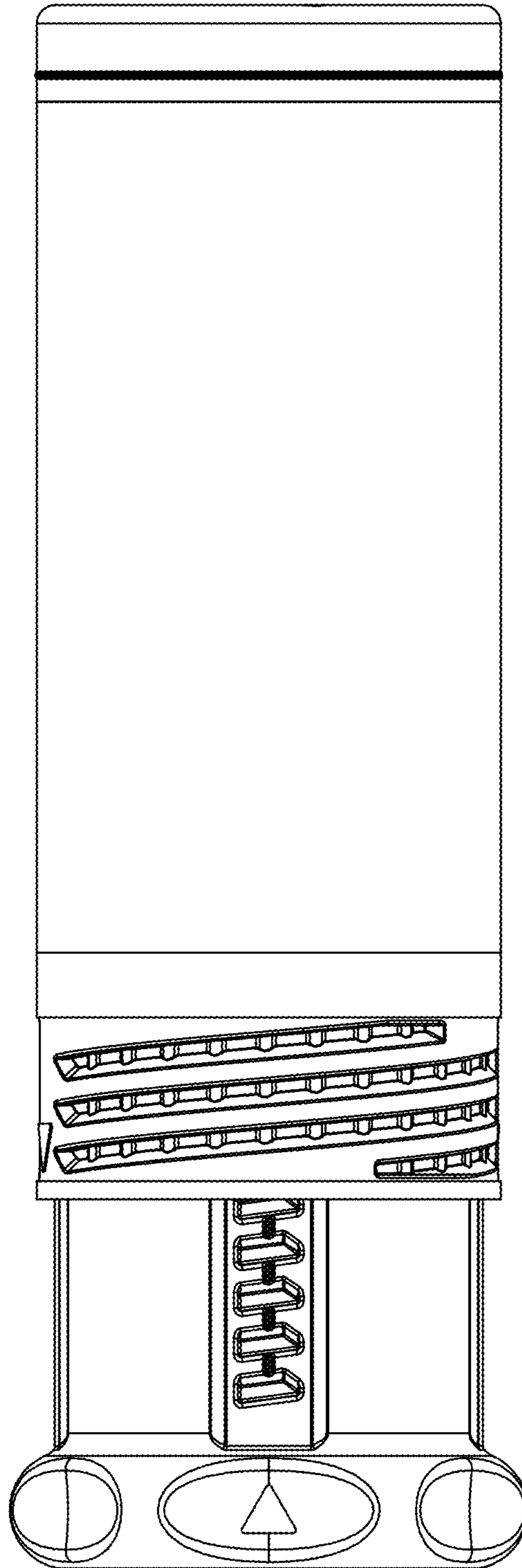


Fig. 3

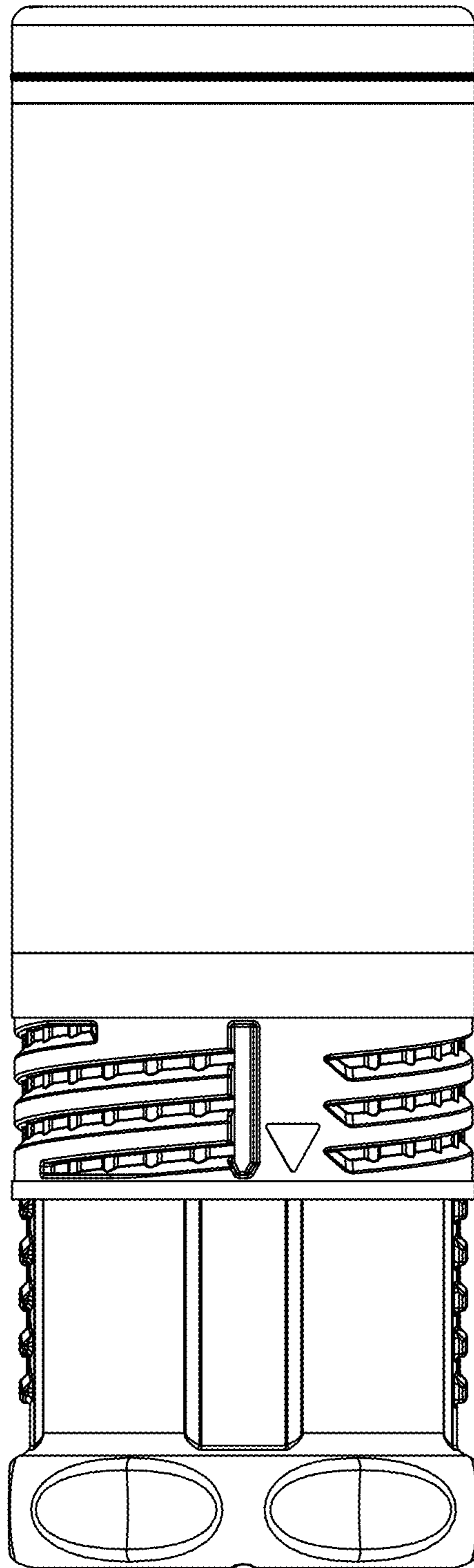


Fig. 4

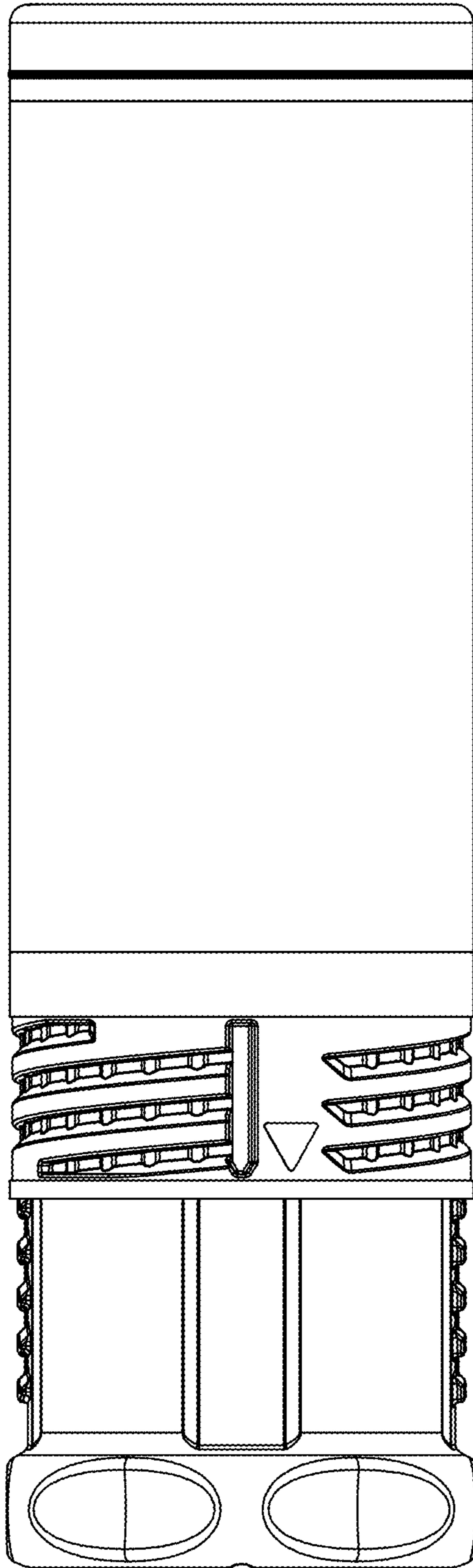


Fig. 5

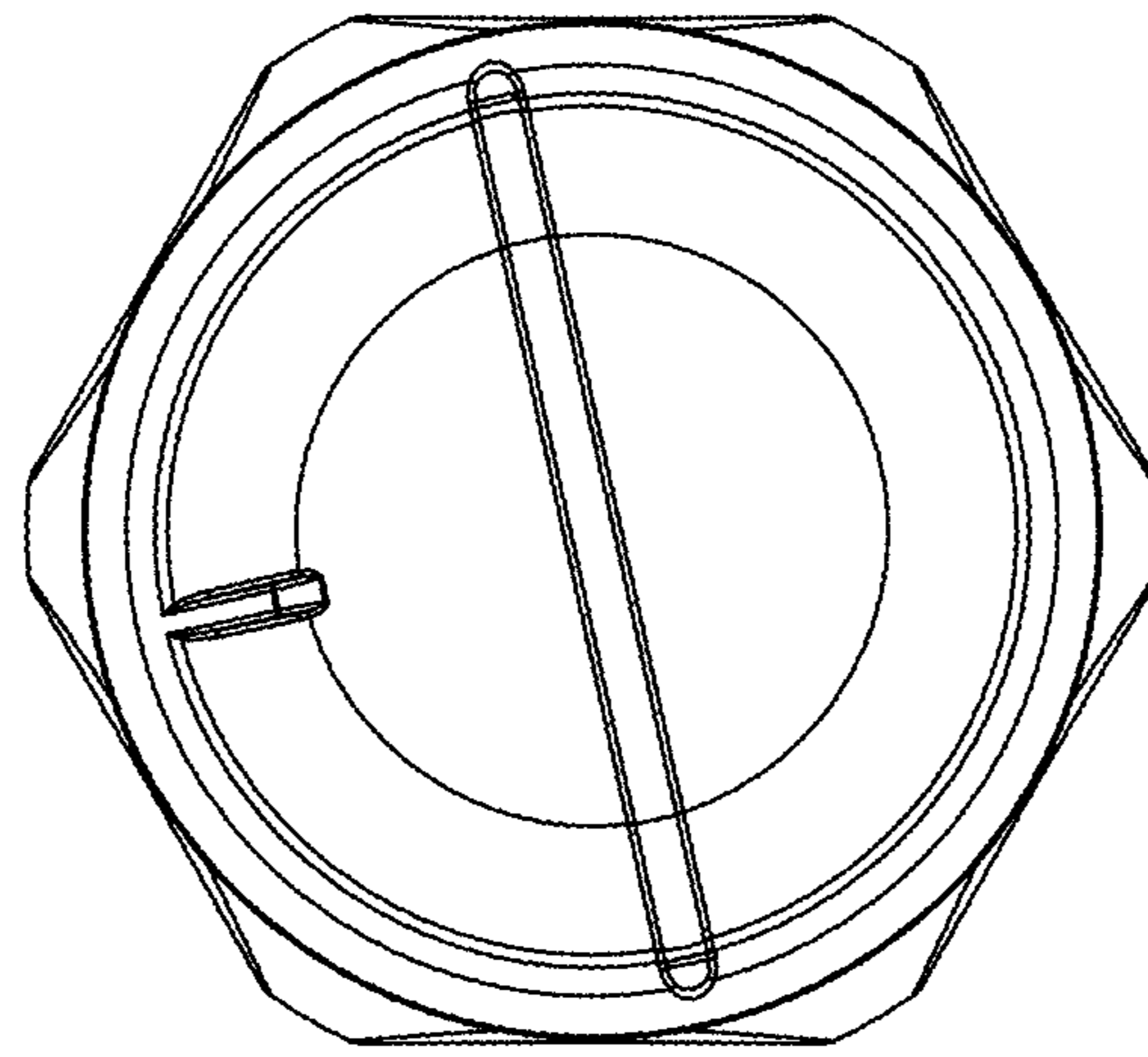


Fig. 6

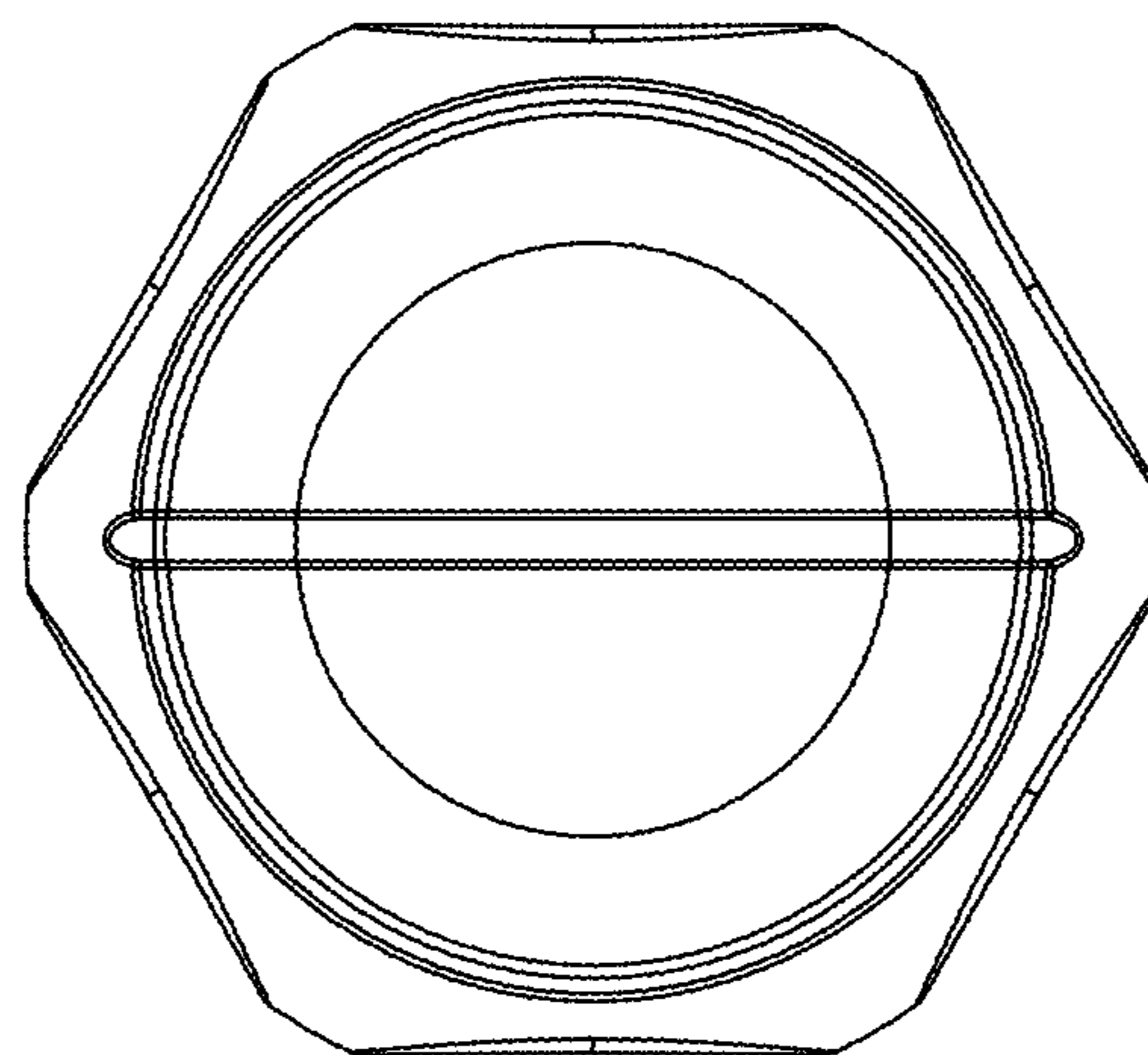


Fig. 7