



US00D827441S

(12) **United States Design Patent** (10) **Patent No.:** **US D827,441 S**  
**Jack et al.** (45) **Date of Patent:** **\*\* Sep. 4, 2018**

(54) **BOTTLE**  
(71) Applicant: **IntraPac International Corporation**,  
Mooresville, NC (US)  
(72) Inventors: **Robert C. Jack**, Schaumburg, IL (US);  
**Megan E. Keilman**, Shabbona, IL (US)  
(73) Assignee: **INTRAPAC INTERNATIONAL**  
**CORPORATION**, Mooresville, NC  
(US)

D554,520 S \* 11/2007 Kunesh ..... D9/570  
D562,138 S \* 2/2008 Warner ..... D9/522  
D570,218 S \* 6/2008 Crawford ..... D9/516  
D585,755 S \* 2/2009 Dodge ..... D9/563  
D587,590 S \* 3/2009 Crawford ..... D9/550  
D615,415 S \* 5/2010 Holmes ..... D9/541  
D645,358 S \* 9/2011 de Monclin ..... D9/522  
D655,172 S \* 3/2012 Brooks ..... D9/522  
D668,962 S \* 10/2012 Middleton ..... D9/531

(Continued)

(\*\*) Term: **15 Years**

(21) Appl. No.: **29/592,121**

(22) Filed: **Jan. 26, 2017**

(51) **LOC (11) Cl.** ..... **09-01**

(52) **U.S. Cl.**  
USPC ..... **D9/522; D9/563**

(58) **Field of Classification Search**  
USPC ..... D9/434-435, 439, 447, 449, 450, 452,  
D9/454, 516, 520, 522-524, 528-531,  
D9/541-544, 549-551, 558-560, 563,  
D9/565-566, 571-575, 682, 686, 687,  
D9/693-694, 715, 719; D7/300, 300.1,  
D7/316, 317, 598; D23/211, 225  
CPC ... B65D 1/00; B65D 1/02; B65D 1/12; B65D  
1/18; B65D 1/20; B65D 1/0223; B65D  
23/00; B65D 21/0237; B65D 2501/0009;  
B65D 2501/0081

See application file for complete search history.

(56) **References Cited**

**U.S. PATENT DOCUMENTS**

D185,432 S \* 6/1959 Goldstein ..... D9/522  
D321,131 S \* 10/1991 Wiseman ..... D9/552  
D367,010 S \* 2/1996 Moore ..... D9/542  
D375,051 S \* 10/1996 Lathrop ..... D9/545  
D495,609 S \* 9/2004 Wurster ..... D9/563  
D539,150 S \* 3/2007 Leoncavallo ..... D9/454

**OTHER PUBLICATIONS**

Liquor. Online, published date unknown. Retrieved on Dec. 6, 2017  
from URL: <http://www.intrapacinternational.com/products/bottles/liquor/>.\*

(Continued)

*Primary Examiner* — Garth Rademaker  
*Assistant Examiner* — Omeed Agilee  
(74) *Attorney, Agent, or Firm* — Neal, Gerber &  
Eisenberg LLP; Thomas E. Williams

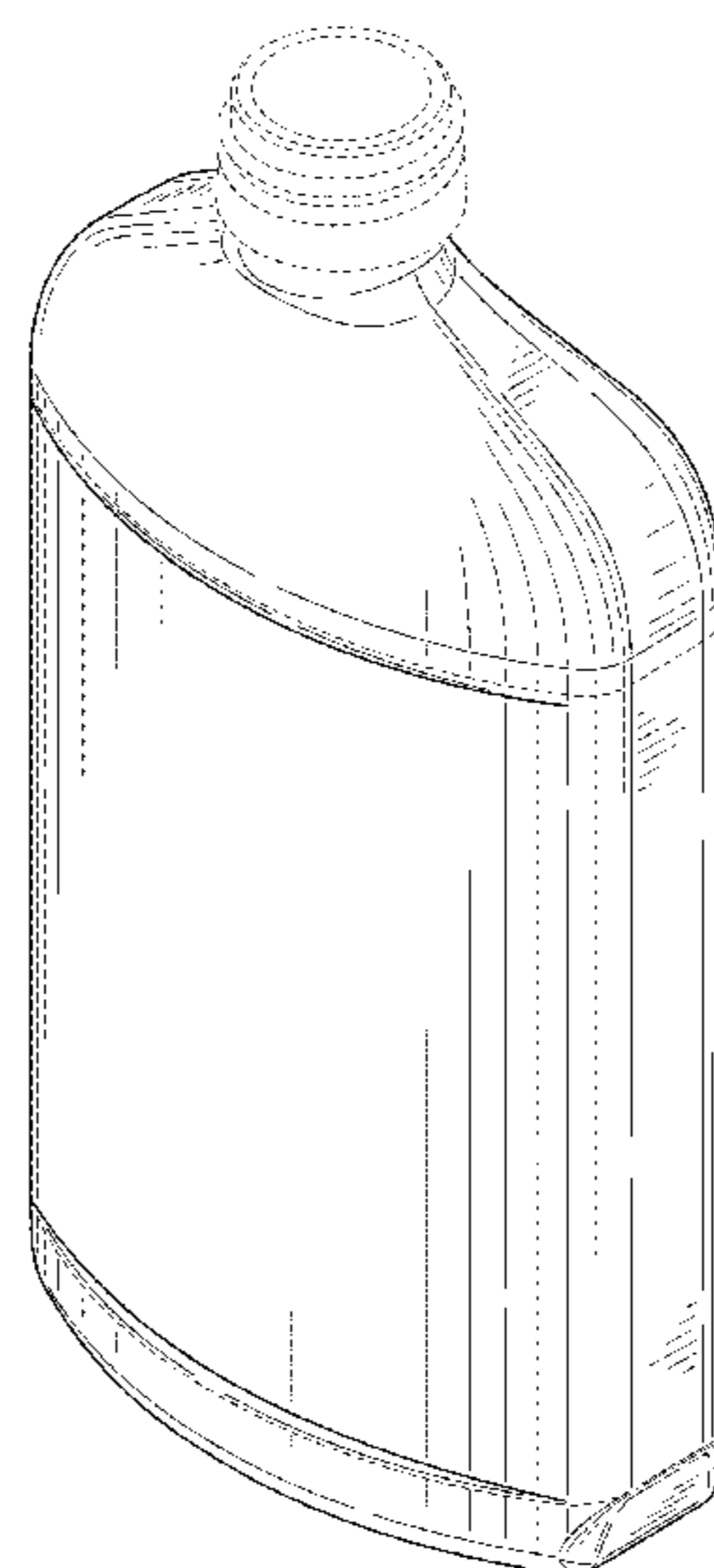
(57) **CLAIM**

The ornamental design for a bottle, as shown and described.

**DESCRIPTION**

FIG. 1 is a front, right, and top perspective view of a bottle,  
showing our new design;  
FIG. 2 is a rear, left, and top perspective view thereof;  
FIG. 3 is a front, right, and bottom perspective view thereof;  
FIG. 4 is a front elevation view thereof;  
FIG. 5 is a rear elevation view thereof;  
FIG. 6 is a left side elevation view thereof;  
FIG. 7 is a right side elevation view thereof;  
FIG. 8 is a top plan view thereof; and,  
FIG. 9 is a bottom plan view thereof.  
The broken lines are included for illustrating portions of the  
bottle that form no part of the claimed design.

**1 Claim, 7 Drawing Sheets**



(56)

**References Cited**

U.S. PATENT DOCUMENTS

D696,132 S \* 12/2013 Krunas ..... D9/542  
D709,380 S \* 7/2014 Letamendi ..... D9/544  
D740,677 S \* 10/2015 Kuzma ..... D9/542  
D742,749 S \* 11/2015 Murray ..... D9/439  
D764,928 S \* 8/2016 Staab ..... D9/694  
D799,330 S \* 10/2017 Burgbacher ..... D9/542  
2016/0001924 A1 \* 1/2016 Liu ..... B65D 21/0201  
220/23.4

OTHER PUBLICATIONS

Unpublished pending U.S. Appl. No. 29/592,119, filed Jan. 26, 2017  
which is not being furnished herewith, pursuant to the Commis-  
sioner's Notice dated Sep. 21, 2004.

Unpublished pending U.S. Appl. No. 29/592,120, filed Jan. 26, 2017  
which is not being furnished herewith, pursuant to the Commis-  
sioner's Notice dated Sep. 21, 2004.

Unpublished pending U.S. Appl. No. 29/592,122, filed Jan. 26, 2017  
which is not being furnished herewith, pursuant to the Commis-  
sioner's Notice dated Sep. 21, 2004.

\* cited by examiner

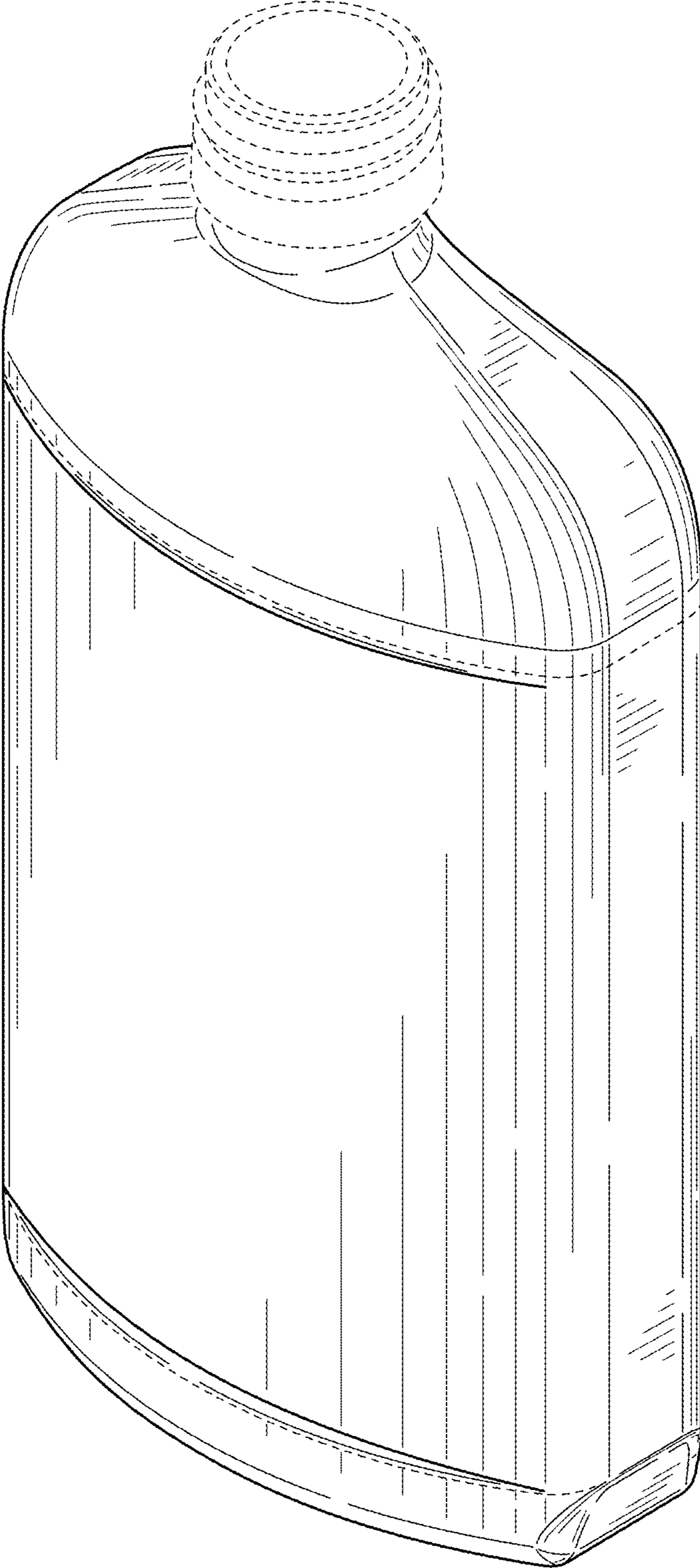


FIG. 1

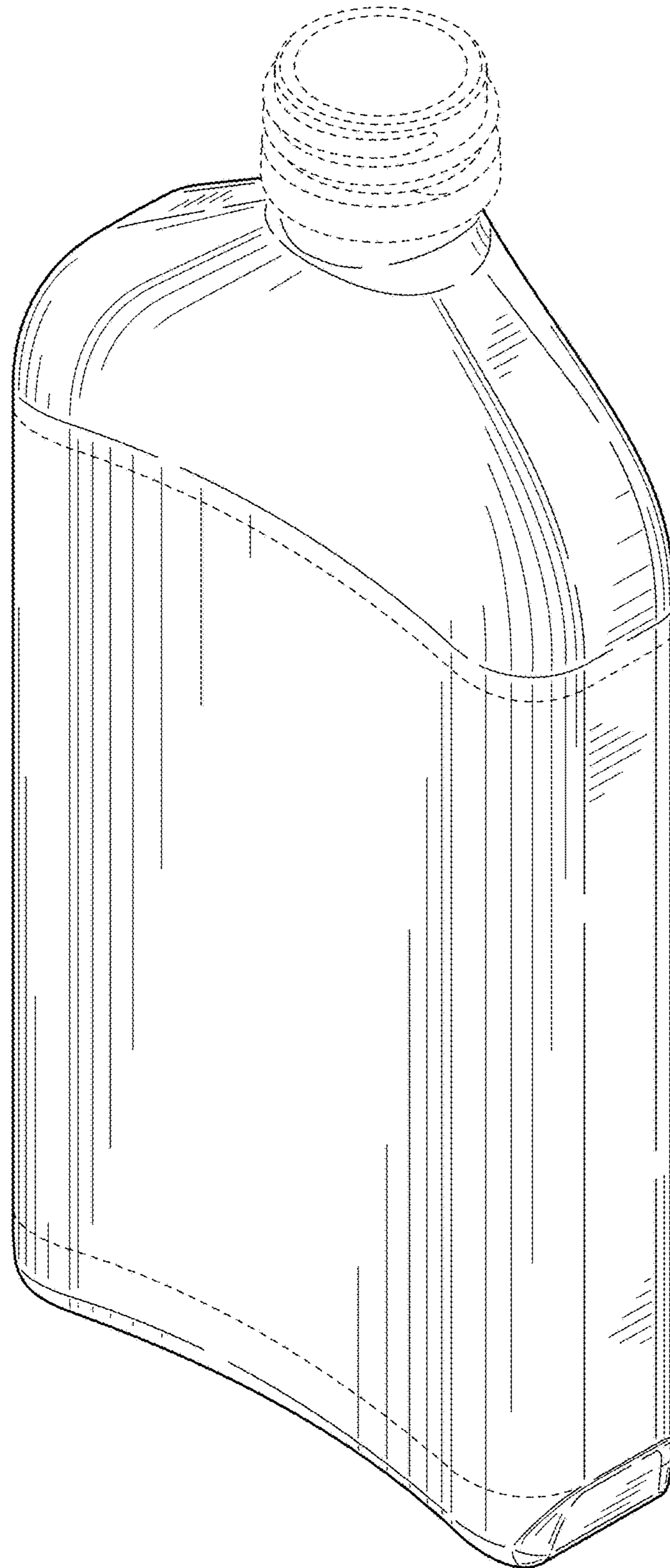


FIG. 2



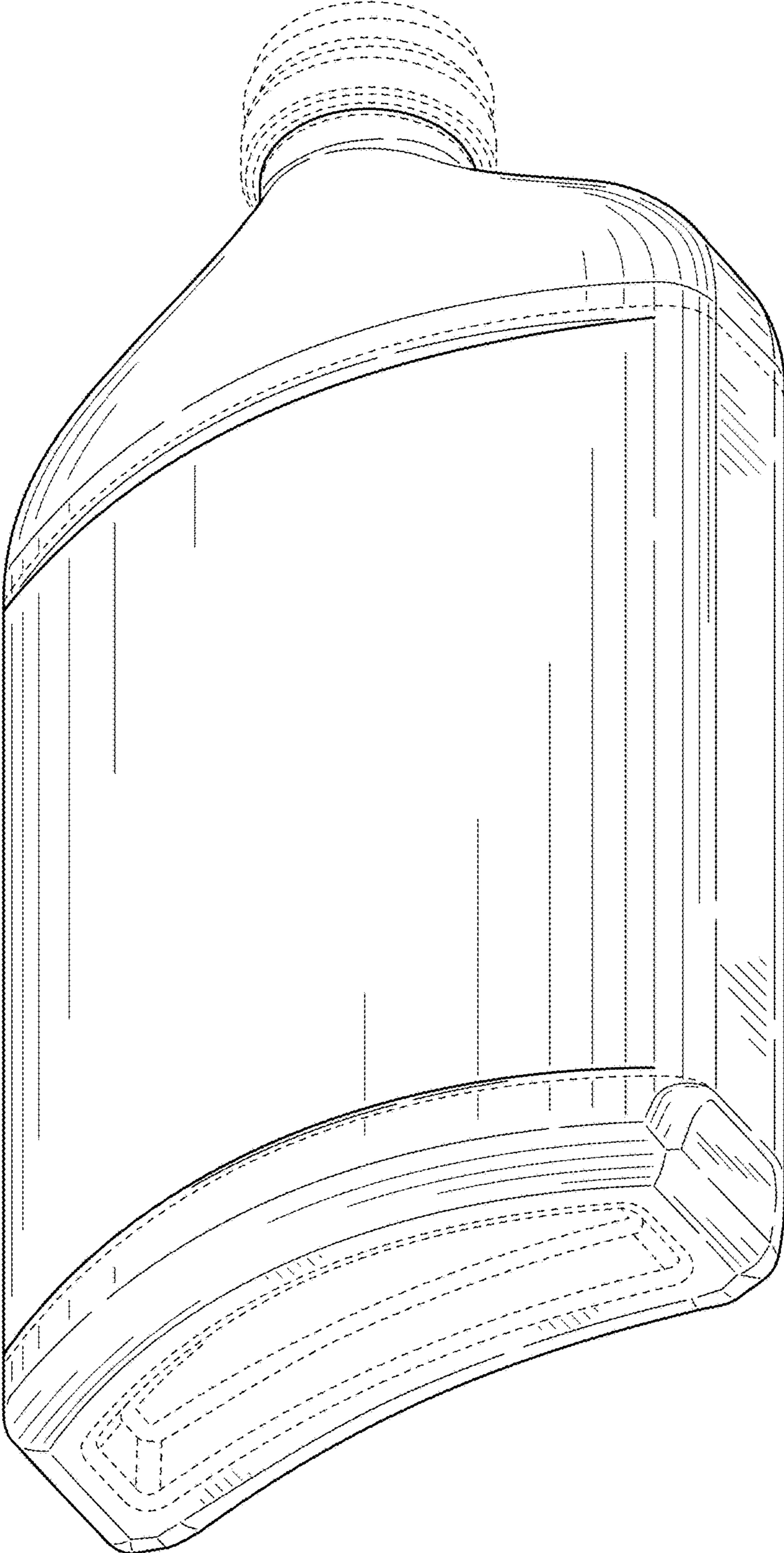


FIG. 3

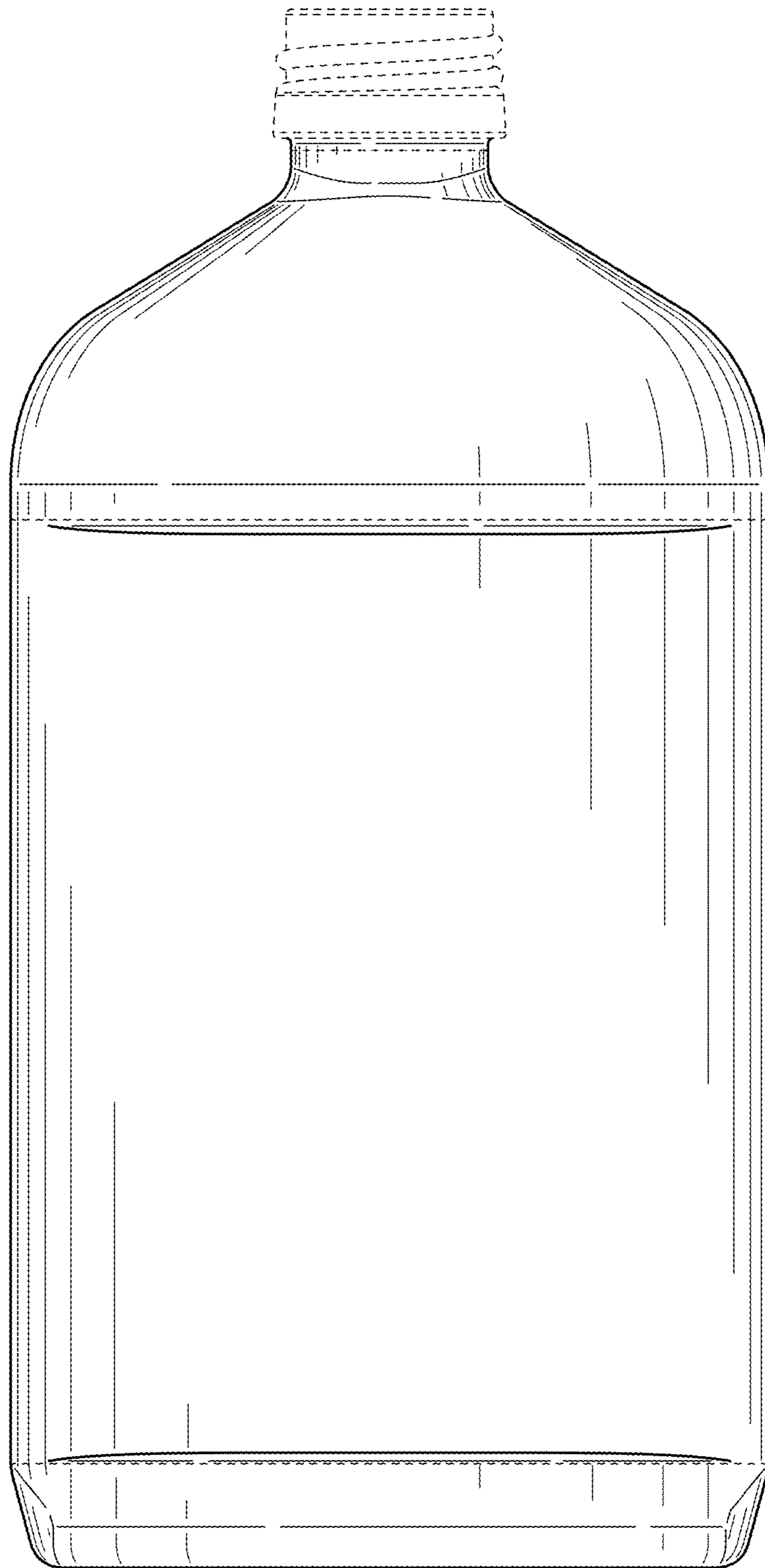


FIG. 4

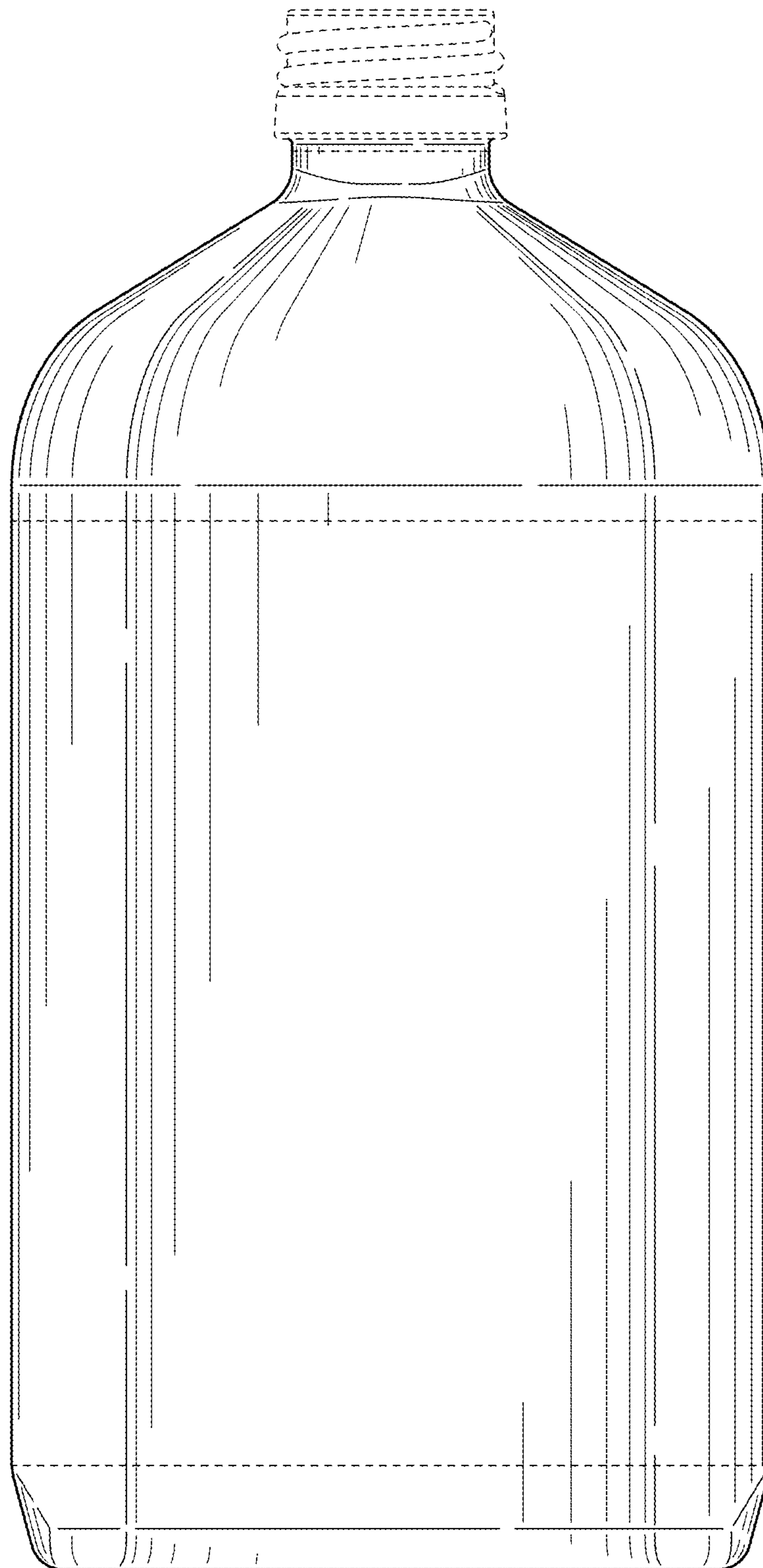


FIG. 5

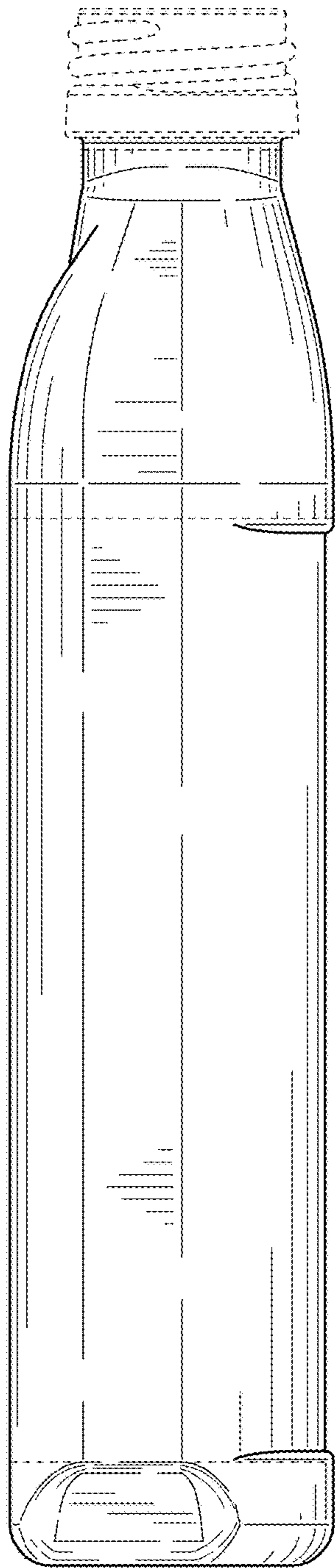


FIG. 6

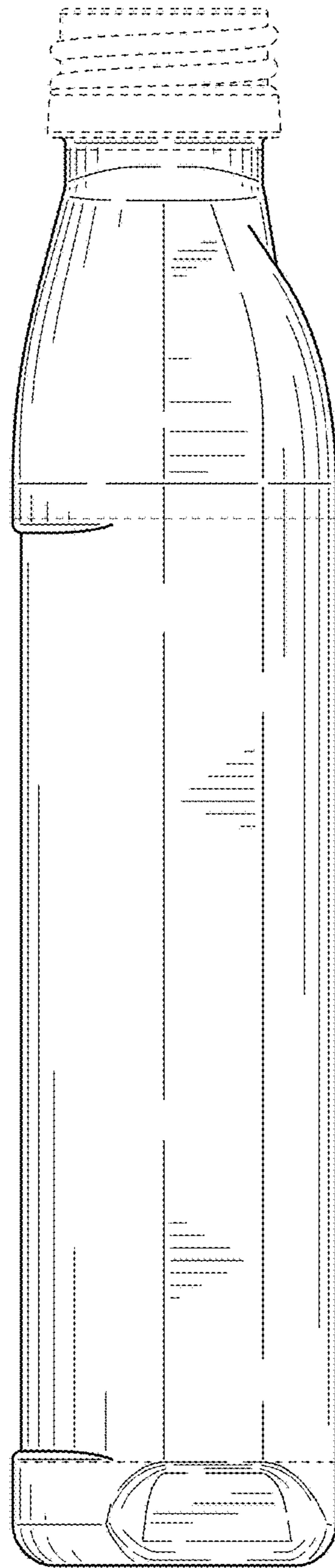


FIG. 7



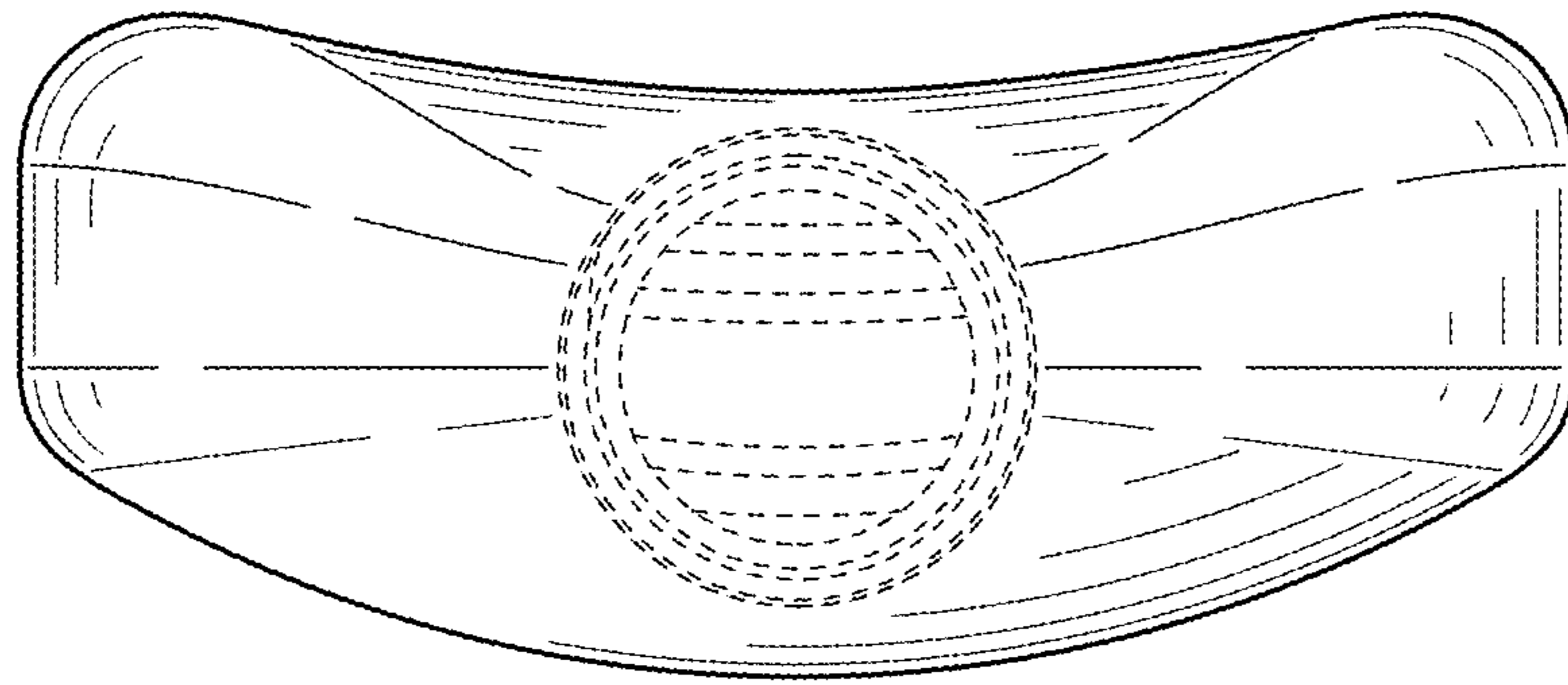


FIG. 8

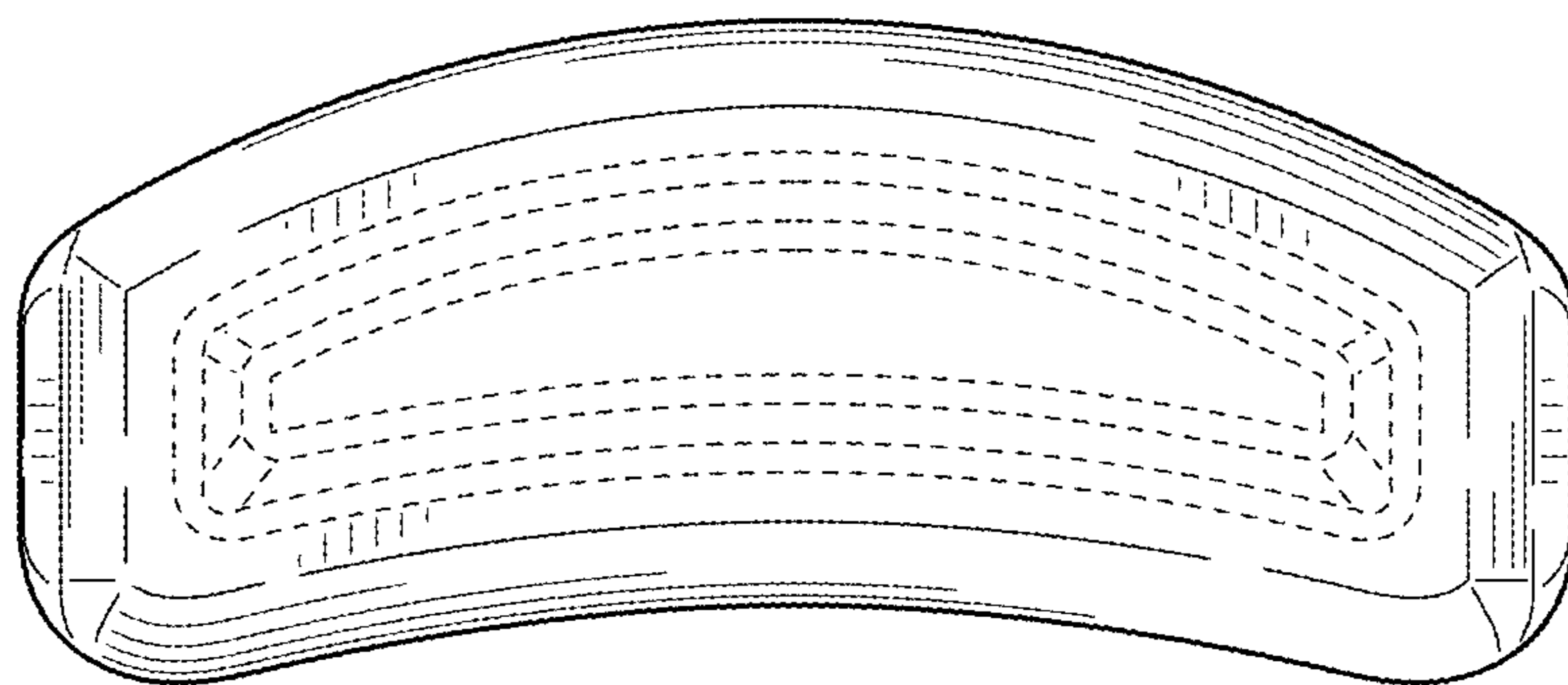


FIG. 9