



US00D827439S

(12) **United States Design Patent**
Malone

(10) **Patent No.:** **US D827,439 S**

(45) **Date of Patent:** **** Sep. 4, 2018**

(54) **HINGED U-BLOCK FOR PACKAGING**

(71) Applicant: **Diamond 6S Management**, San Antonio, TX (US)

(72) Inventor: **Dale Malone**, Austin, TX (US)

(73) Assignee: **Diamond 6S Management**, San Antonio, TX (US)

(**) Term: **15 Years**

(21) Appl. No.: **29/624,809**

(22) Filed: **Nov. 3, 2017**

Related U.S. Application Data

(63) Continuation of application No. 29/543,285, filed on Oct. 22, 2015, now Pat. No. Des. 803,057.

(51) **LOC (11) Cl.** **09-07**

(52) **U.S. Cl.**
USPC **D9/456**

(58) **Field of Classification Search**

USPC D9/415, 434, 435, 440, 446-450, 452, D9/453, 454, 455-457, 499; D7/387, D7/388, 396.2, 396.4, 396.6, 398, 403, D7/509, 510, 511; D3/202, 203.2, 247, D3/294, 304, 318; D28/91.1; D8/343, D8/346, 352, 382, 397, 399; D25/102, D25/122, 199
CPC .. A61J 1/00; A61J 1/1412; B65D 1/00; B65D 1/02; B65D 1/10; B65D 1/46; B65D 2585/56; B65D 41/00; B65D 41/56; B65D 41/62; B65D 47/06; B65D 47/08; B65D

(Continued)

(56) **References Cited**

U.S. PATENT DOCUMENTS

1,516,721 A * 11/1924 Emery B21K 1/707
16/DIG. 37
2,066,420 A * 1/1937 Reysa A47L 17/04
12/142 F

(Continued)

Primary Examiner — Karen S Acker
Assistant Examiner — Wendy L Arminio
(74) *Attorney, Agent, or Firm* — Winstead PC

(57) **CLAIM**

The ornamental design for a hinged U-block for packaging, as shown and described.

DESCRIPTION

FIG. 1 is a top, front, left perspective view of a hinged U-block for packaging shown in an unfolded configuration in accordance with the design;

FIG. 2 is a top view thereof;

FIG. 3 is a bottom view thereof;

FIG. 4 is a right side view thereof;

FIG. 5 is a left side view thereof;

FIG. 6 is a front view thereof;

FIG. 7 is a rear view thereof;

FIG. 8 is a bottom, front, right perspective view of the hinged U-block for packaging of FIG. 1 shown in a folded configuration;

FIG. 9 is a rear view thereof;

FIG. 10 is a front view thereof;

FIG. 11 is a left side view thereof;

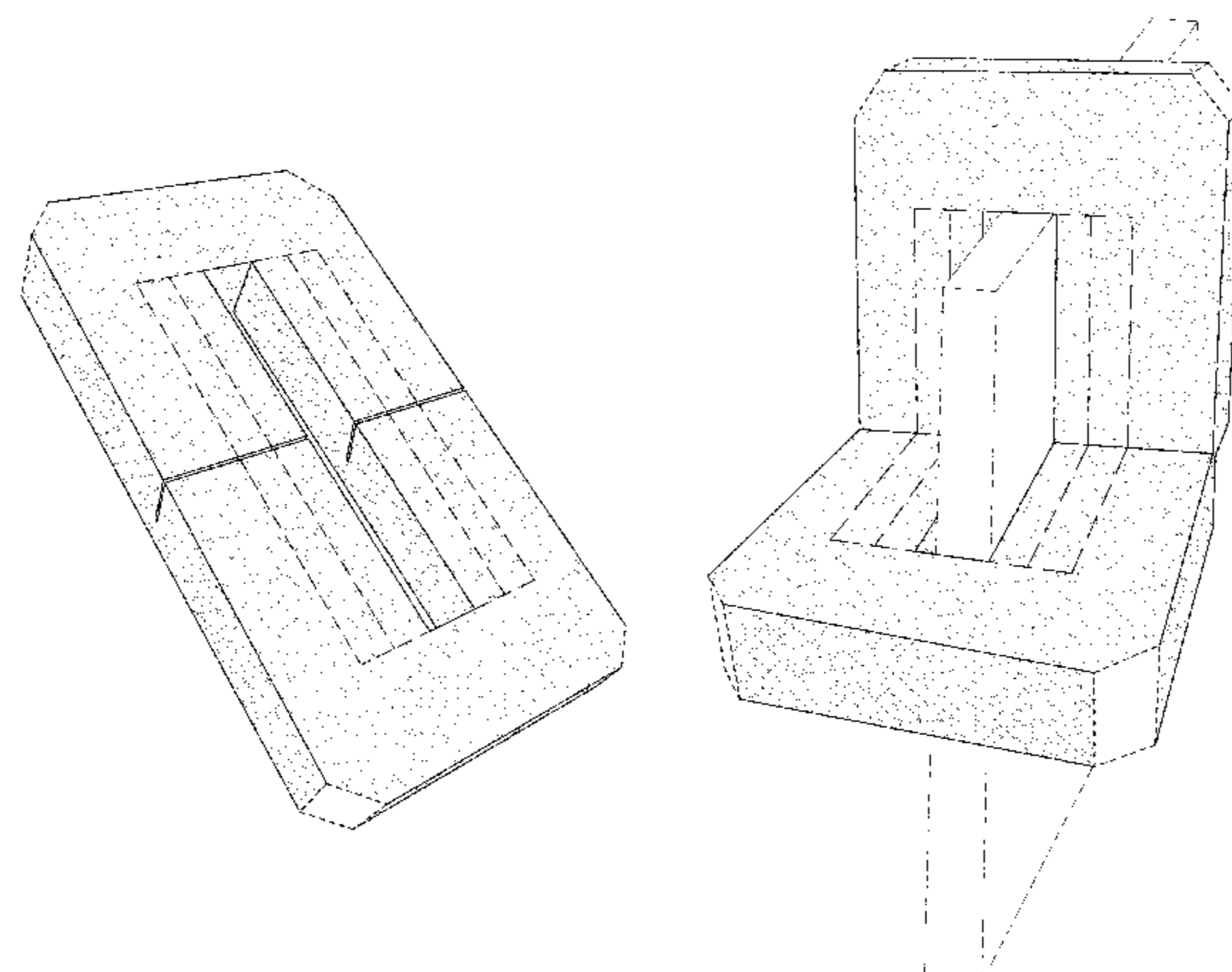
FIG. 12 is a right side view thereof;

FIG. 13 is a bottom view thereof; and,

FIG. 14 is a top view thereof.

The larger broken lines in the central portion of the figures depict separable perforation lines that are part of the claim. The smaller broken lines surrounding the corners of the article depict the boundaries of the claim, which along with the spaces contained within these broken lines form no part of the claimed design. The panel drawn in broken lines in FIG. 8 depicts environmental subject matter included to show the hinged U-block for packaging in a position of use and forms no part of the claimed design.

1 Claim, 8 Drawing Sheets



US D827,439 S

Page 2

(58) **Field of Classification Search**

CPC 2543/00046; B65D 2543/00092; B65D
2543/00296

See application file for complete search history.

(56)

References Cited

U.S. PATENT DOCUMENTS

D202,691 S * 11/1965 Essman D23/278
3,334,798 A * 8/1967 Pezely, Jr. A63F 9/1204
206/523
3,439,860 A * 4/1969 Wienecke, Jr. B65D 85/30
206/521
4,422,546 A * 12/1983 Charity A47K 7/03
15/244.4
4,947,500 A * 8/1990 Seiler A47C 27/081
5/706
D357,595 S * 4/1995 Roschacher 5/706

5,729,942 A * 3/1998 Moore, Jr. E04B 2/8629
52/204.2
D397,270 S * 8/1998 Maalouf 5/636
D455,074 S * 4/2002 Au D9/415
D455,266 S * 4/2002 Bradford D3/318
D460,263 S * 7/2002 Bradford D3/318
6,493,888 B1 * 12/2002 Salvatini A61G 1/00
5/423
D564,880 S * 3/2008 Chang D9/456
D577,580 S * 9/2008 Koza D9/432
D577,581 S * 9/2008 Koza D9/432
D605,940 S * 12/2009 Lin D9/435
D648,630 S * 11/2011 Doster D19/83
D692,755 S * 11/2013 Curnutt D9/434
D786,073 S * 5/2017 Hutcheson, Jr. D22/134
2004/0060928 A1 * 4/2004 Balla B29C 65/3656
219/672
2006/0207914 A1 * 9/2006 Cance B65D 5/509
206/588
2017/0113862 A1 * 4/2017 Malone B65B 5/04

* cited by examiner

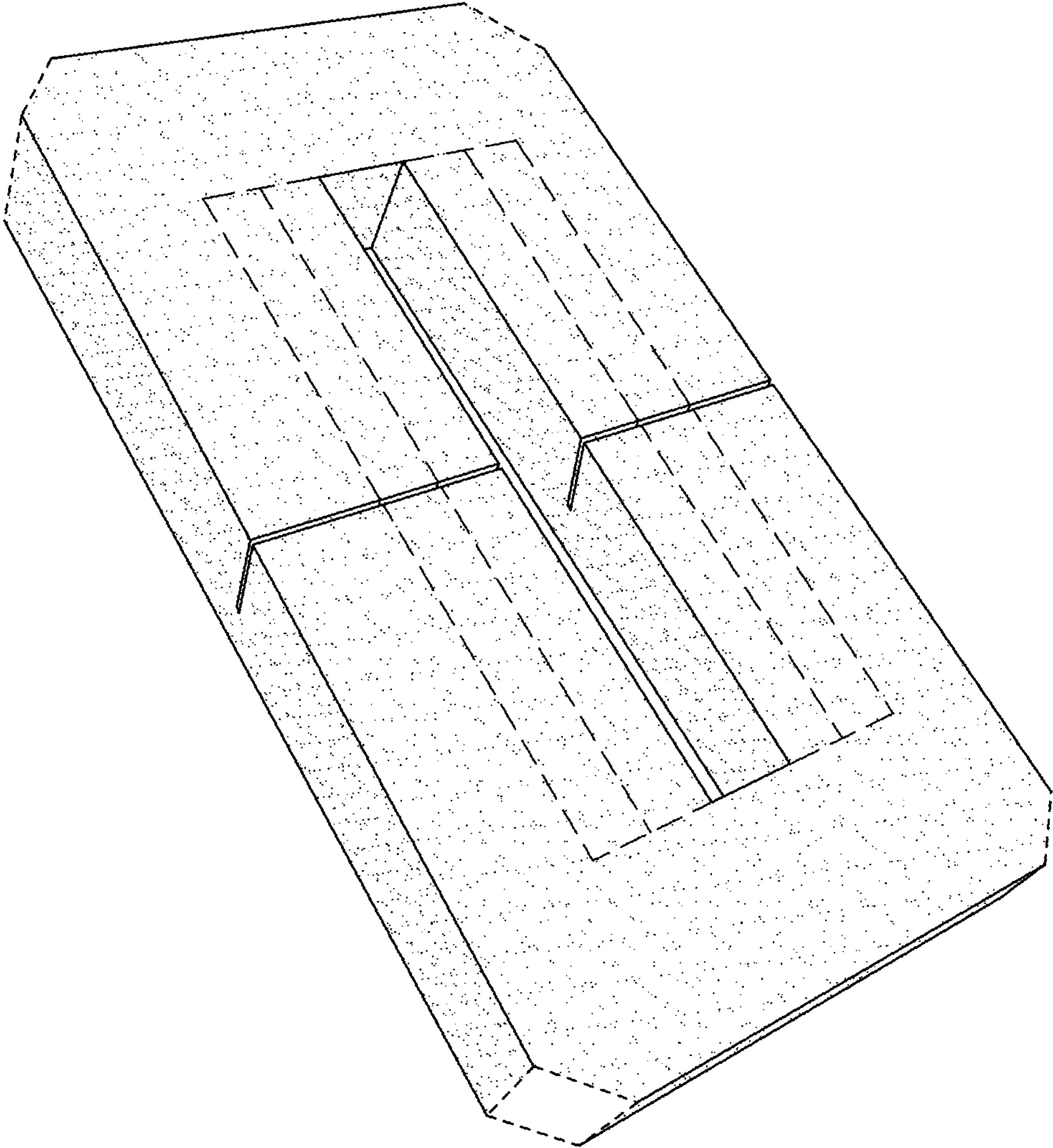


FIG. 1

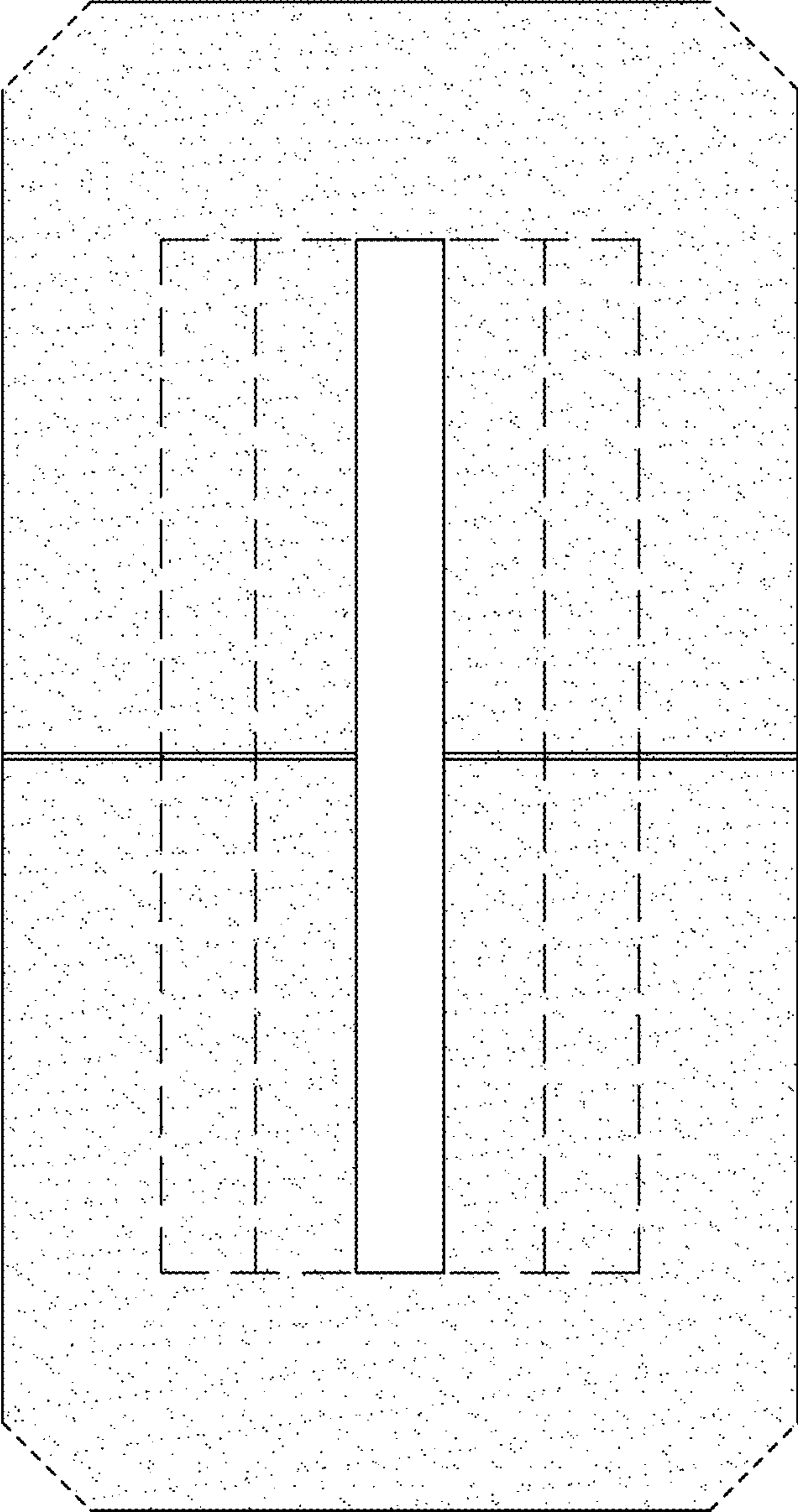


FIG. 2

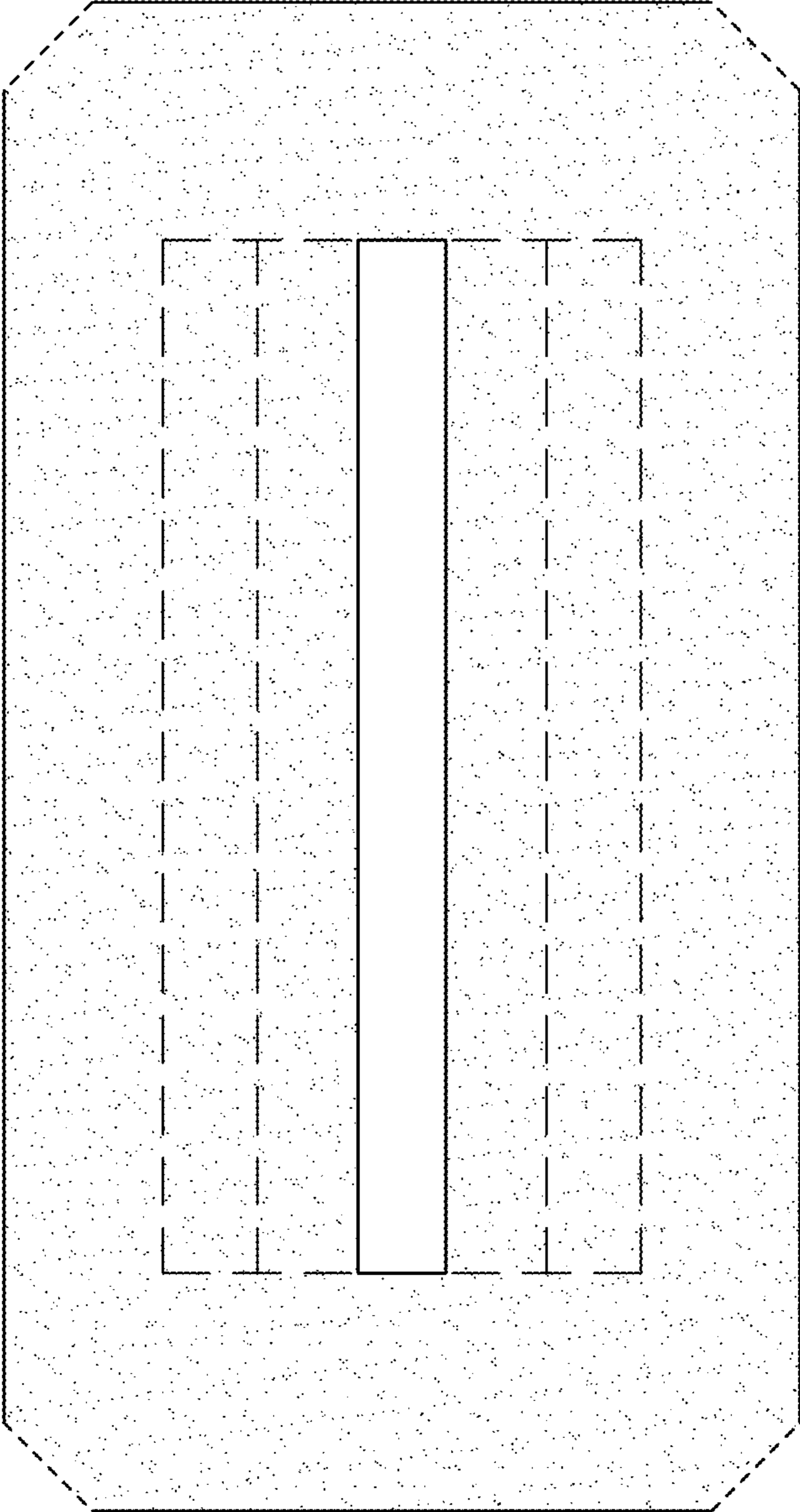


FIG. 3

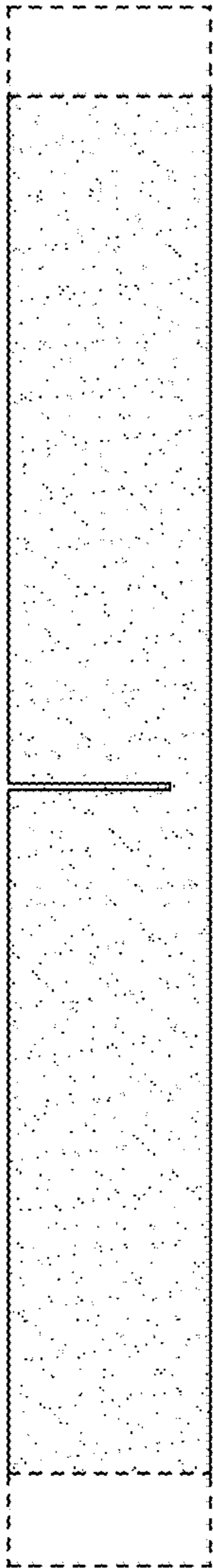


FIG. 4

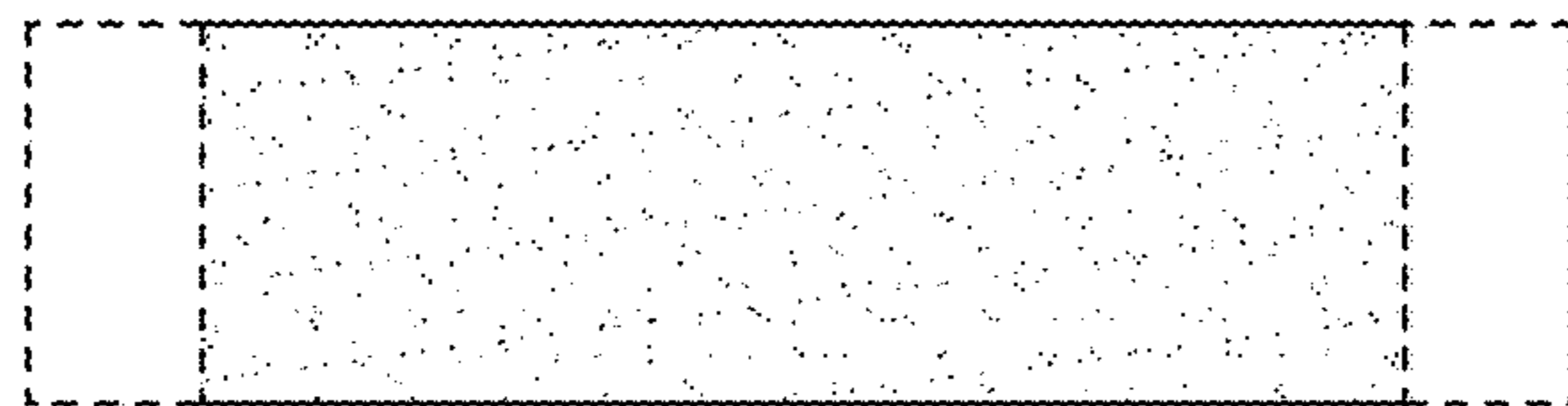


FIG. 6

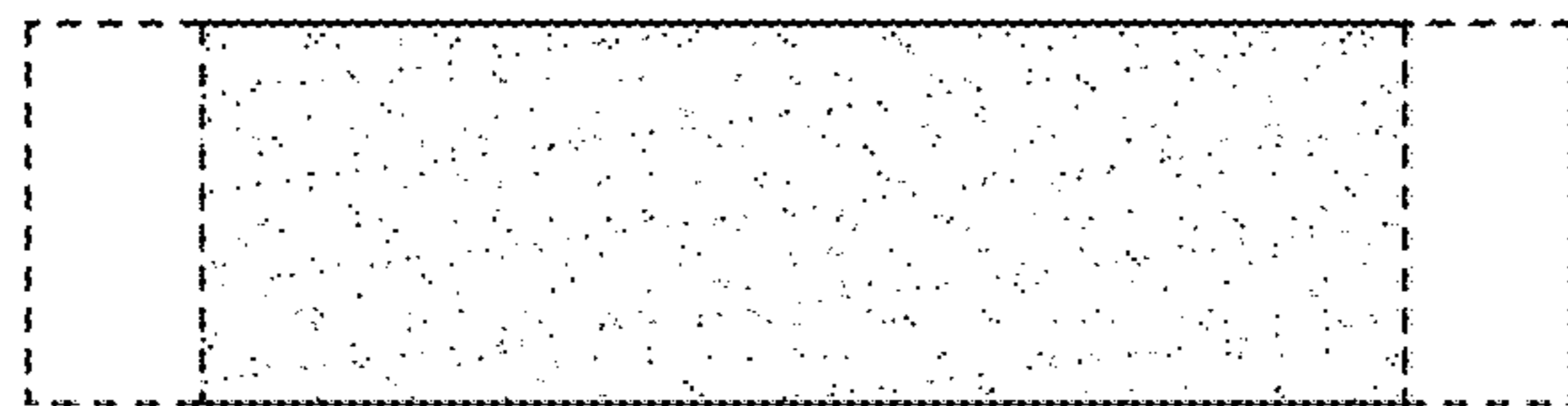


FIG. 7

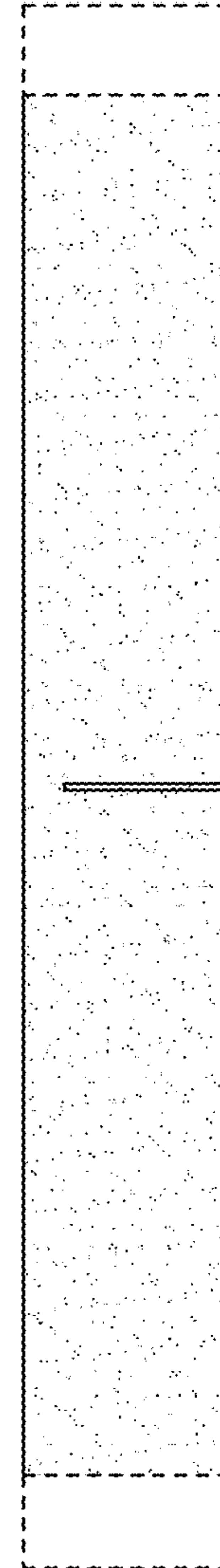


FIG. 5

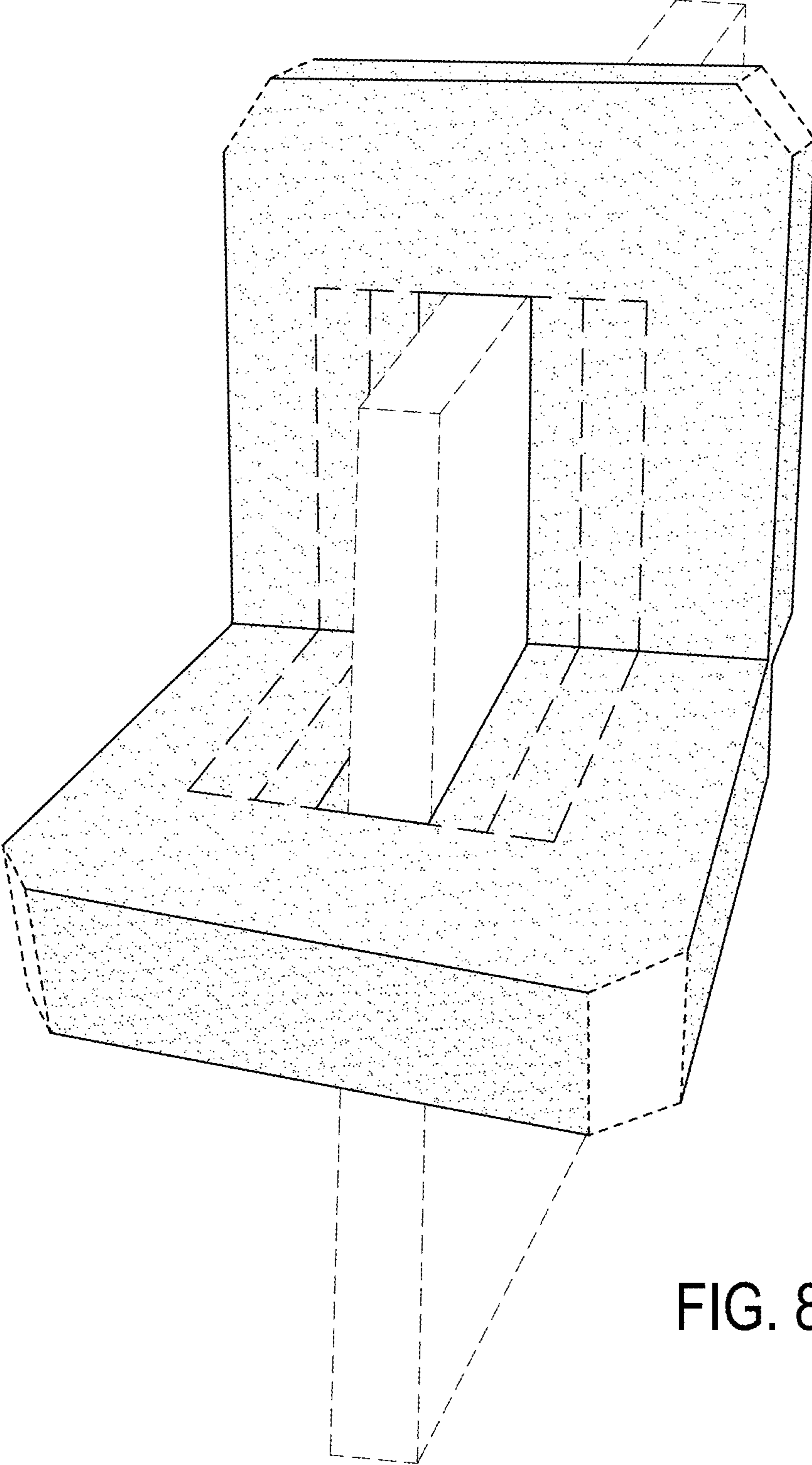


FIG. 8

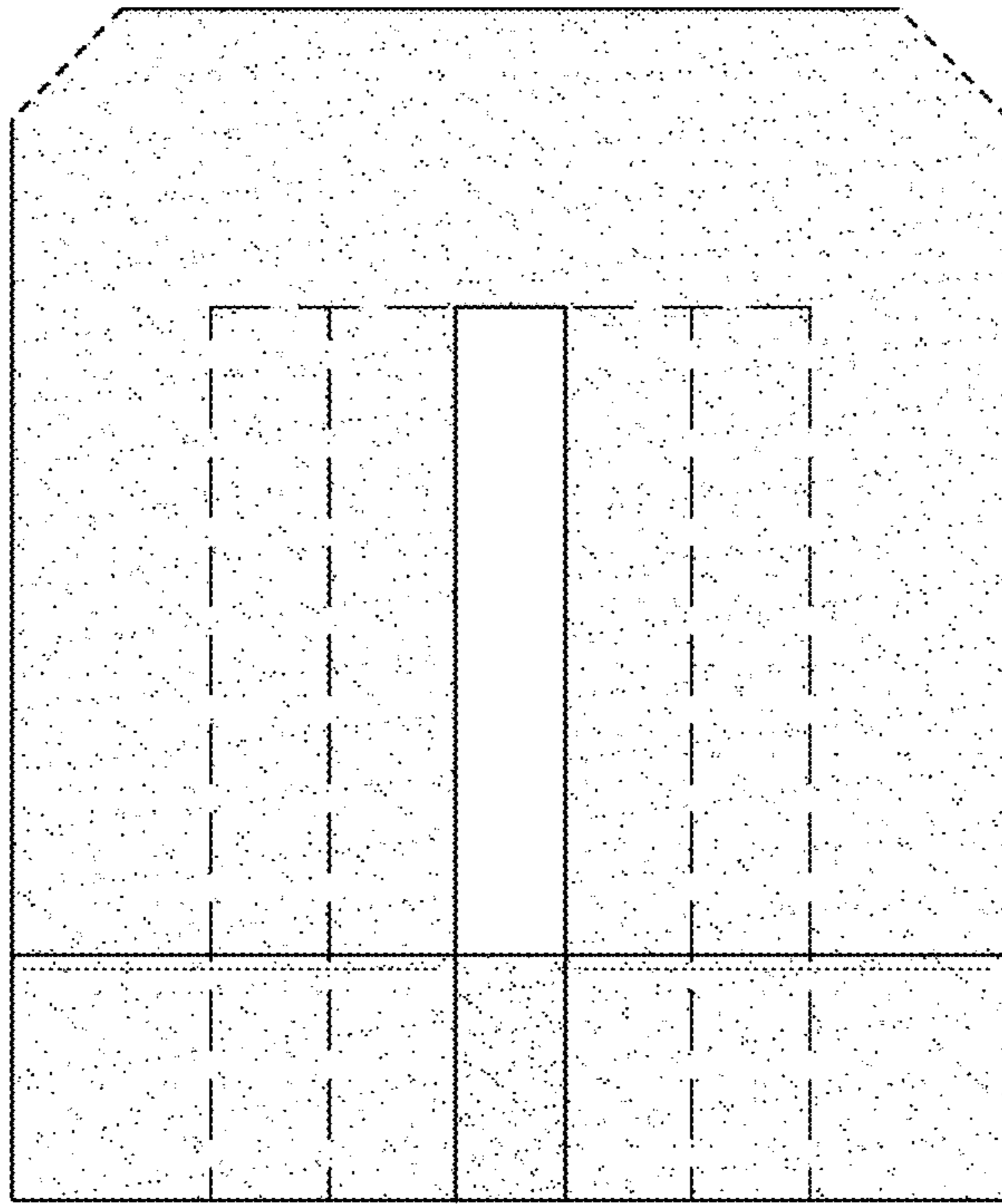


FIG. 9

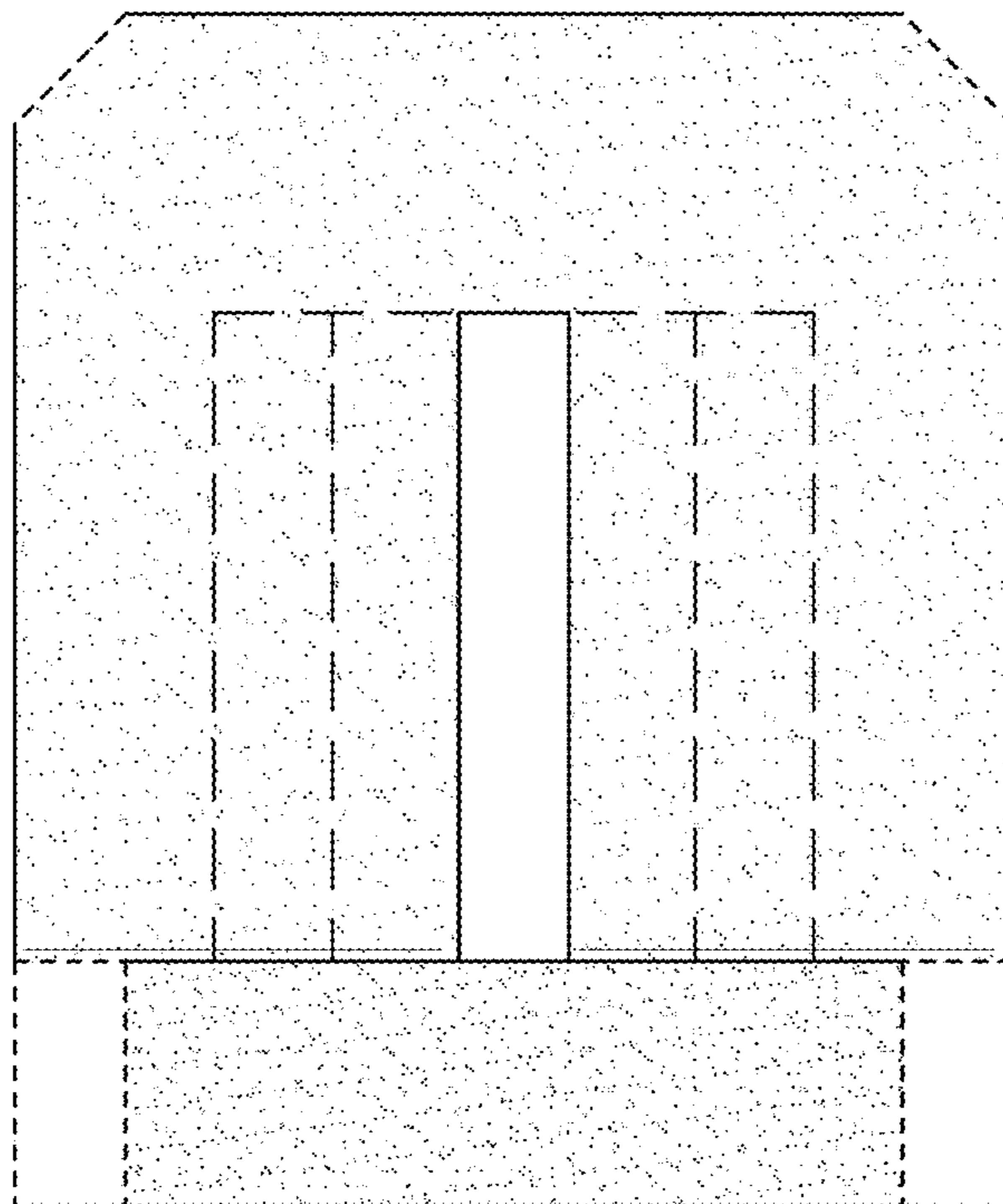


FIG. 10

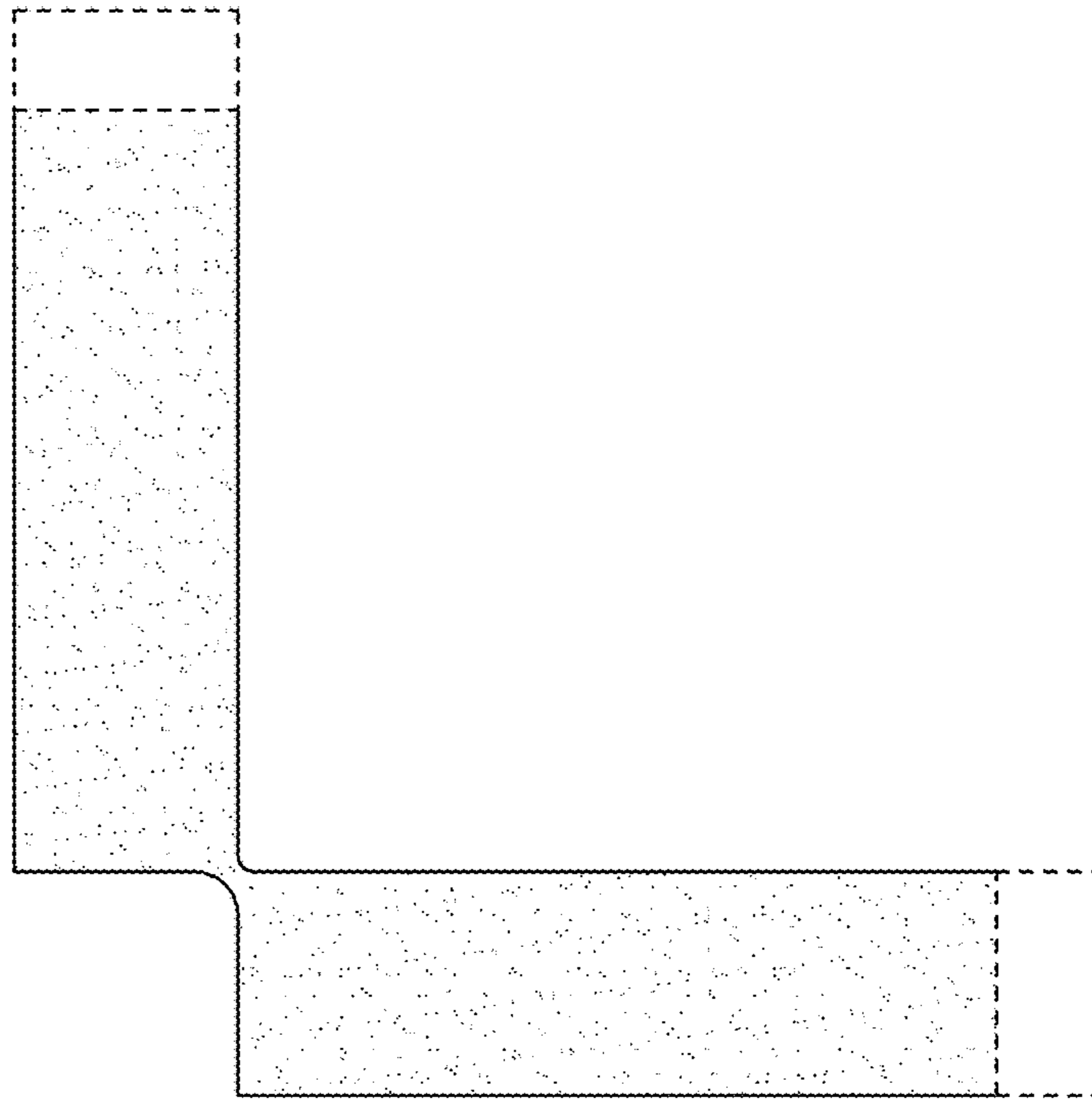


FIG. 11

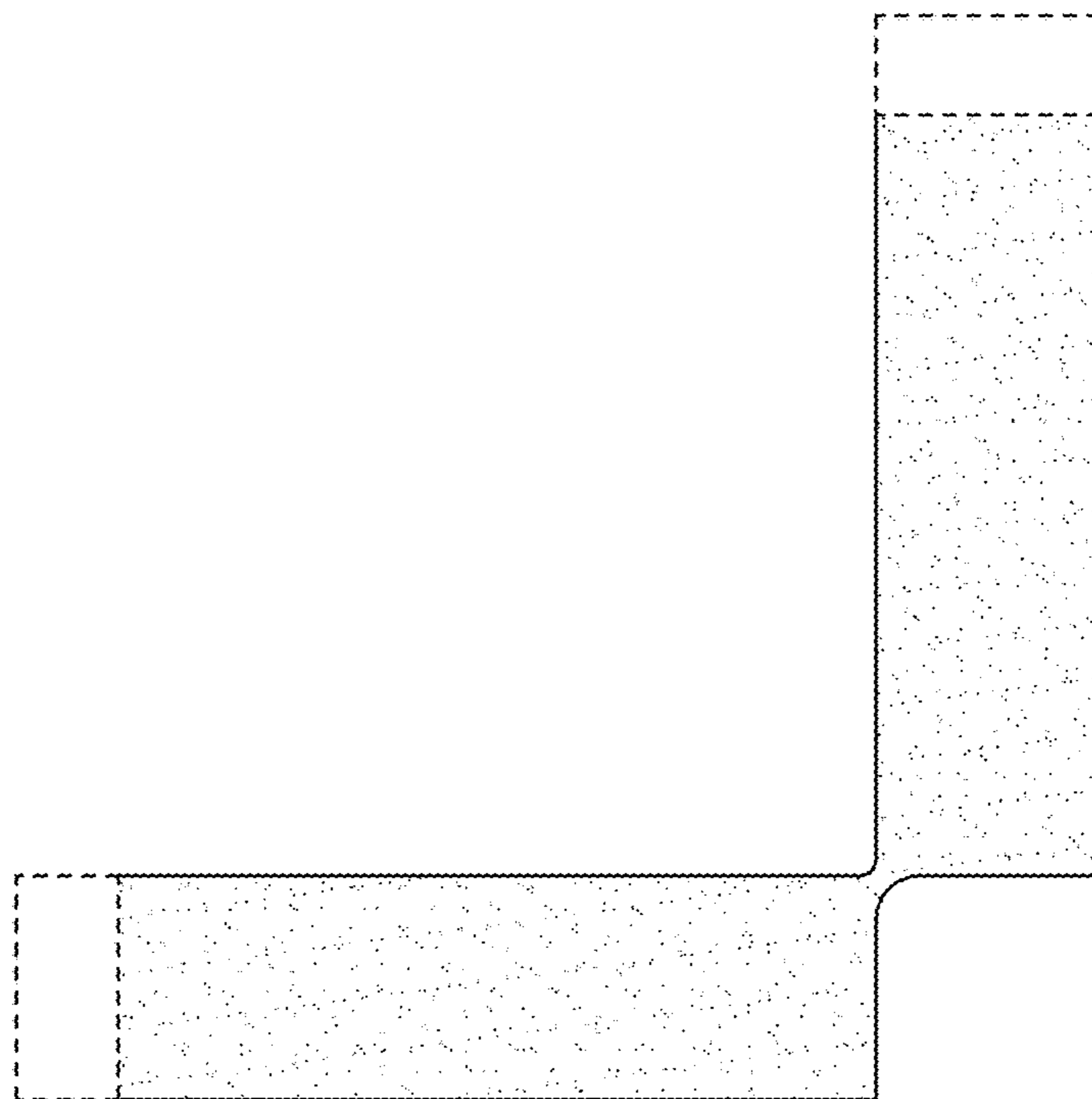


FIG. 12

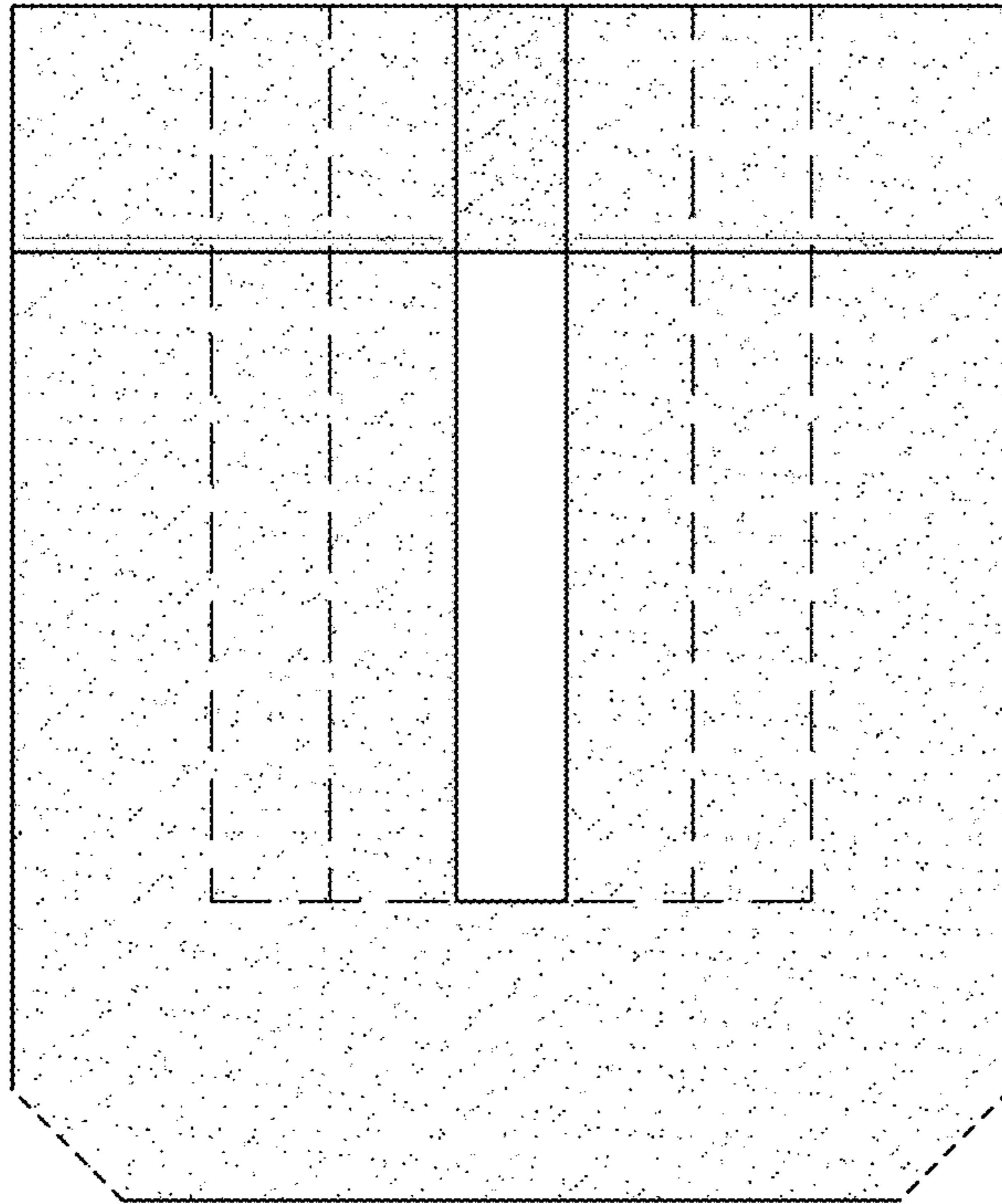


FIG. 13

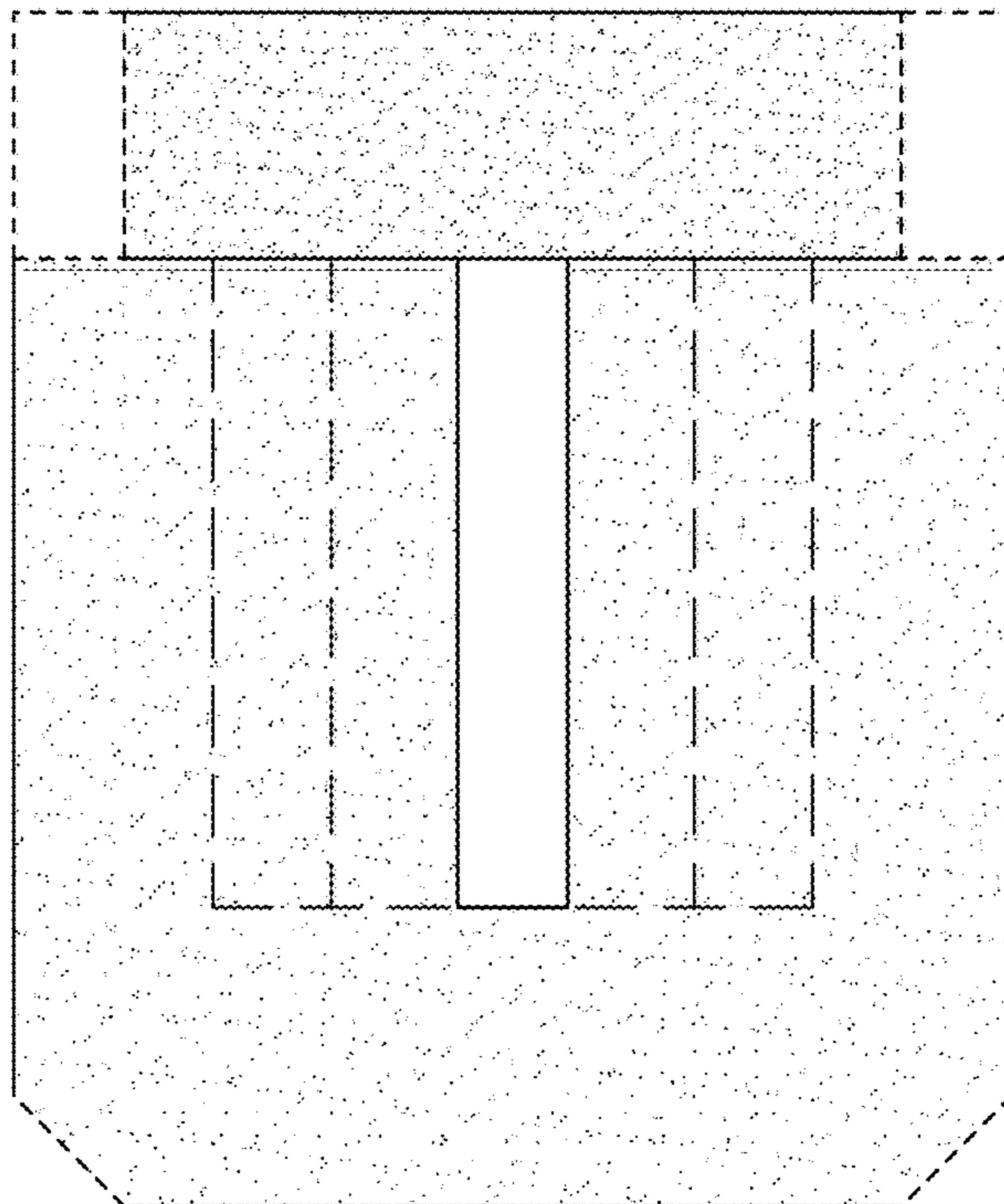


FIG. 14