



US00D827437S

(12) **United States Design Patent** (10) **Patent No.:** **US D827,437 S**
Oakes (45) **Date of Patent:** **** Sep. 4, 2018**

(54) **BEVERAGE LID**
(71) Applicant: **GPCP IP Holdings LLC**, Atlanta, GA (US)
(72) Inventor: **Shawn A. Oakes**, Ripon, WI (US)
(73) Assignee: **GPCP IP Holdings LLC**, Atlanta, GA (US)
(**) Term: **15 Years**
(21) Appl. No.: **29/593,703**

5,398,843 A 3/1995 Warden et al.
5,509,568 A 4/1996 Warden et al.
5,538,156 A 7/1996 Proshan
5,553,731 A 9/1996 Schuyler
5,624,053 A 4/1997 Freek et al.
D380,678 S 7/1997 Borgstede et al.
6,419,112 B1 7/2002 Bruce et al.
6,431,390 B1 8/2002 Waller
D476,891 S 7/2003 Clarke et al.
6,889,859 B1 5/2005 Leon
7,134,570 B1 11/2006 Heath et al.
D533,778 S 12/2006 Hollis et al.
7,185,781 B2 3/2007 Pitts
D547,605 S 7/2007 Edelstein et al.

(Continued)

(22) Filed: **Feb. 10, 2017**
(51) **LOC (11) Cl.** **09-07**
(52) **U.S. Cl.**
USPC **D9/447**
(58) **Field of Classification Search**
USPC D9/414, 415, 424, 425, 434, 435, 436,
D9/443, 444-452, 454-456, 499, 529,
D9/682, 685, 686; D7/387, 391, 392,
D7/392.1, 396.1, 396.2, 396.3, 396.4,
D7/397, 398, 401.1, 507, 509-511, 538,
D7/900; D3/202, 203.2; D28/91, 91.1
CPC .. A61J 1/00; A61J 1/1412; B65D 1/00; B65D
1/02; B65D 1/10; B65D 1/46; B65D
2585/56; B65D 2585/545; B65D 41/00;
B65D 41/38; B65D 41/56; B65D 41/62;
B65D 47/00; B65D 47/06; B65D 47/08;
B65D 2543/00046; B65D 2543/00092;
B65D 2543/00296; B65D 5/46; B65D
2251/00

See application file for complete search history.

(56) **References Cited**

U.S. PATENT DOCUMENTS

3,065,875 A 11/1962 Negoro
4,441,623 A 4/1984 Antoniak
D299,010 S 12/1988 Wall
4,986,437 A 1/1991 Farmer

FOREIGN PATENT DOCUMENTS

WO 2009/008587 1/2009

Primary Examiner — Michael A. Pratt
Assistant Examiner — Wendy L Arminio

(57) **CLAIM**

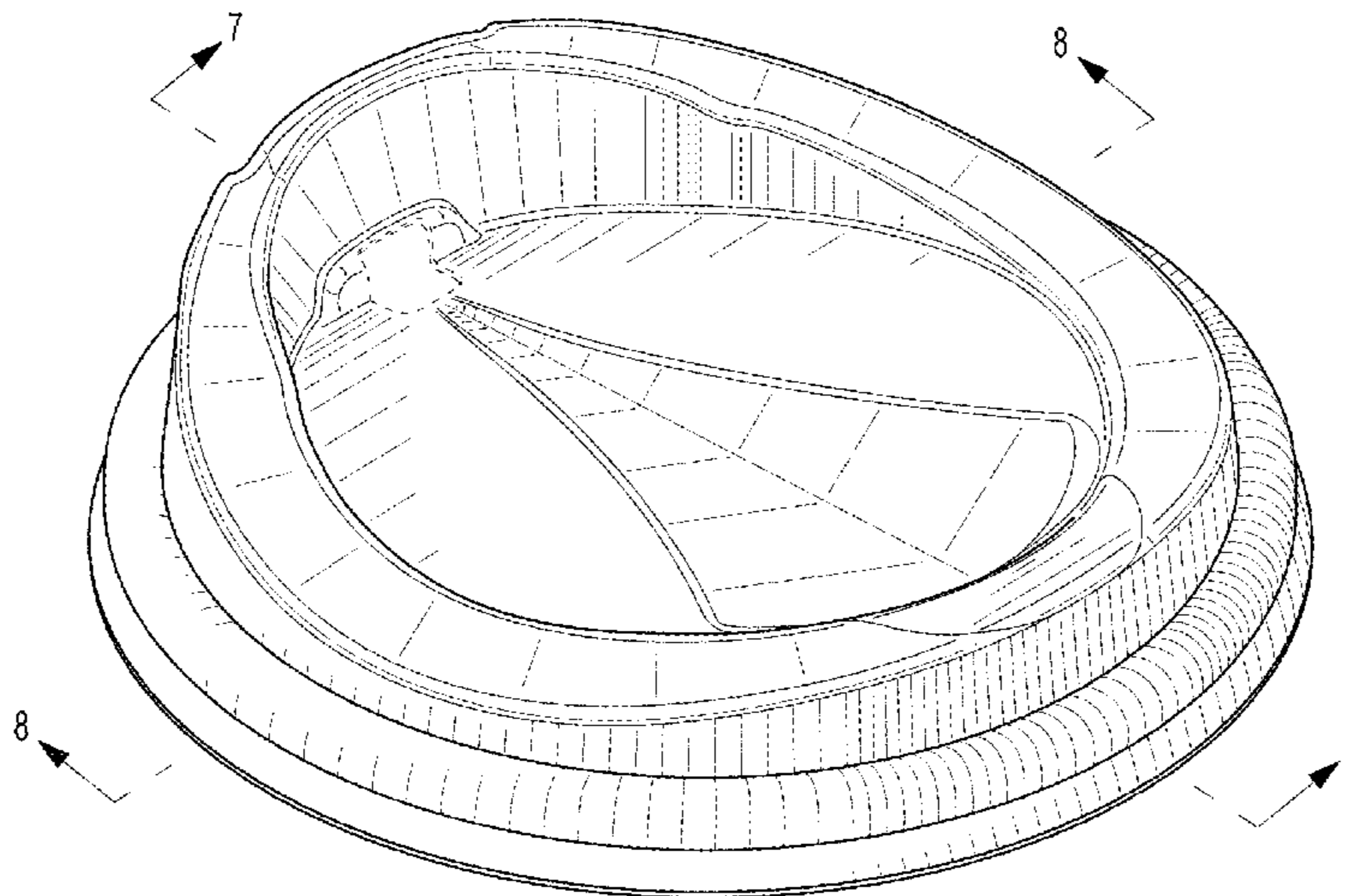
The ornamental design for a beverage lid, as shown and described.

DESCRIPTION

FIG. 1 is a rear left perspective view;
FIG. 2 is a front elevation view;
FIG. 3 is a rear elevation view;
FIG. 4 is a left side elevation view, wherein the right side elevation view is a mirror image thereto.
FIG. 5 is a top plan view;
FIG. 6 is a front left perspective view;
FIG. 7 is a cross-sectional view taken in the direction of line 7-7 shown in FIG. 1; and,
FIG. 8 is a cross-sectional view taken in the direction of line 8-8 shown in FIG. 1.

The broken lines in the drawings represent visible environmental structure that form no part of the claimed design.

1 Claim, 5 Drawing Sheets



(56)

References Cited

U.S. PATENT DOCUMENTS

D635,855 S 4/2011 Smith et al.
 D637,079 S 5/2011 Brown et al.
 7,959,029 B2 6/2011 Whitaker et al.
 D655,160 S 3/2012 Daniel
 8,313,002 B2 11/2012 Tokunaga
 D686,074 S 7/2013 Brinckerhoff et al.
 D696,584 S * 12/2013 Resnikoff D9/448
 8,616,405 B2 * 12/2013 French B65D 43/0208
 220/711
 D696,941 S 1/2014 Kim
 D696,942 S 1/2014 Kim
 D696,943 S 1/2014 Kim
 D704,053 S 5/2014 Kim
 D705,058 S 5/2014 Kim
 8,733,583 B2 5/2014 Bailey
 D709,366 S * 7/2014 Fleming D9/435
 D716,656 S 11/2014 Carregui et al.
 D720,615 S 1/2015 Panone et al.
 D722,498 S * 2/2015 Fleming D9/447
 8,950,623 B2 2/2015 Fleming

D734,092 S * 7/2015 Kristinik D7/392.1
 D734,152 S 7/2015 Hager et al.
 9,096,358 B2 8/2015 Bailey
 D739,238 S 9/2015 Kim
 D740,611 S * 10/2015 Crosby D7/531
 D753,999 S * 4/2016 Crosby D9/447
 D754,535 S * 4/2016 Kim D9/435
 D756,773 S * 5/2016 Brannock D9/438
 9,364,107 B2 * 6/2016 Bolek A47G 19/2205
 D773,883 S 12/2016 Elias
 D775,492 S * 1/2017 Elias D7/392.1
 9,580,229 B2 2/2017 Thomas
 D782,308 S * 3/2017 Khalaf D9/447
 9,603,471 B2 3/2017 Green
 9,604,764 B2 3/2017 Bailey
 D794,449 S * 8/2017 Polt D9/434
 2008/0061069 A1 3/2008 Edelstein et al.
 2009/0294460 A1 * 12/2009 Hovsepian B65D 43/0212
 220/713
 2012/0267384 A1 10/2012 Bye et al.
 2015/0201777 A1 7/2015 Kim
 2017/0071379 A1 * 3/2017 Savenok A47G 19/2272
 2017/0127860 A1 * 5/2017 Khalaf A47G 19/2272

* cited by examiner

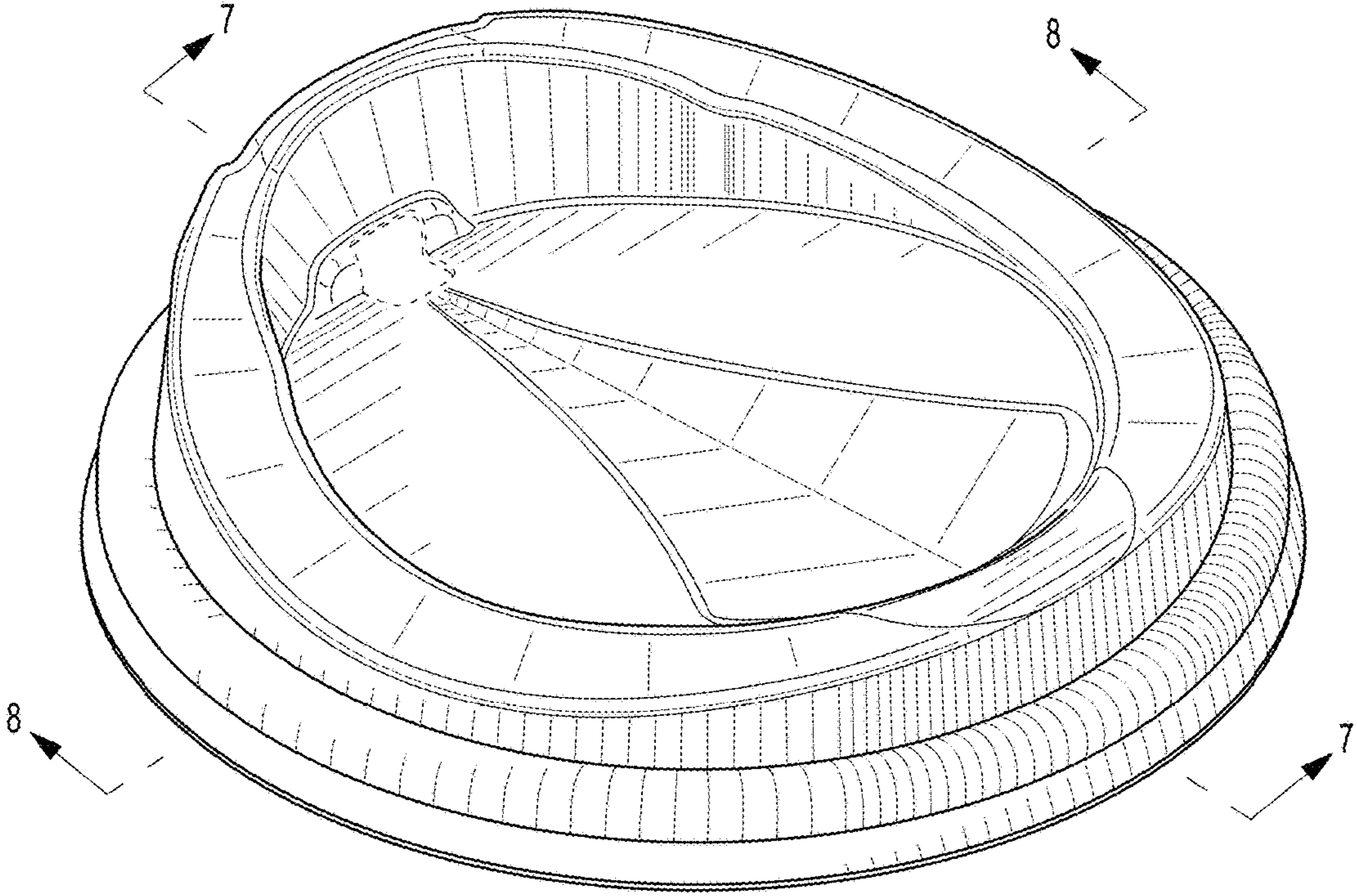


FIG. 1

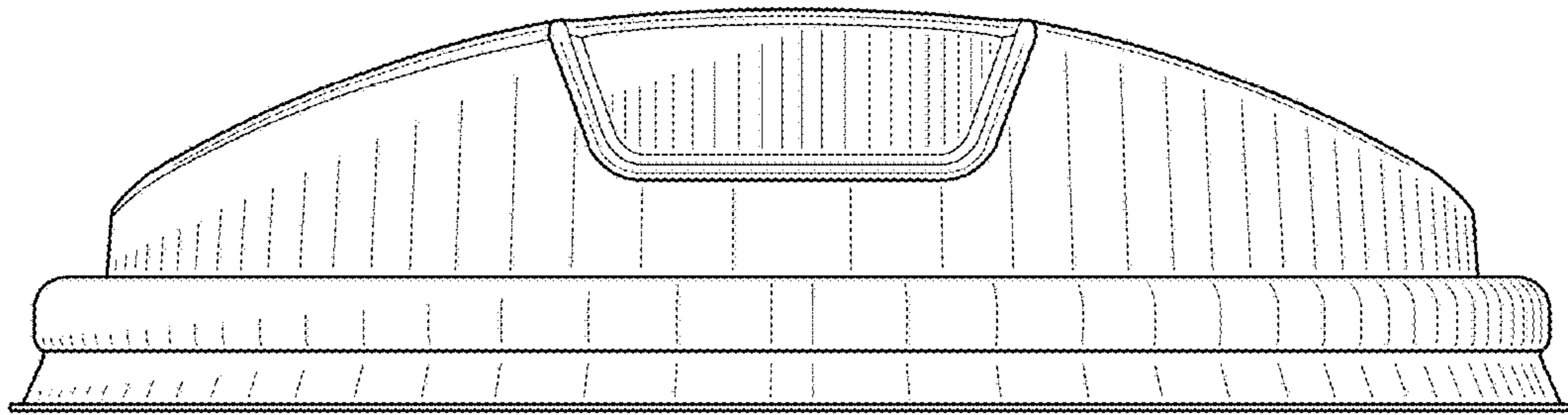


FIG. 2

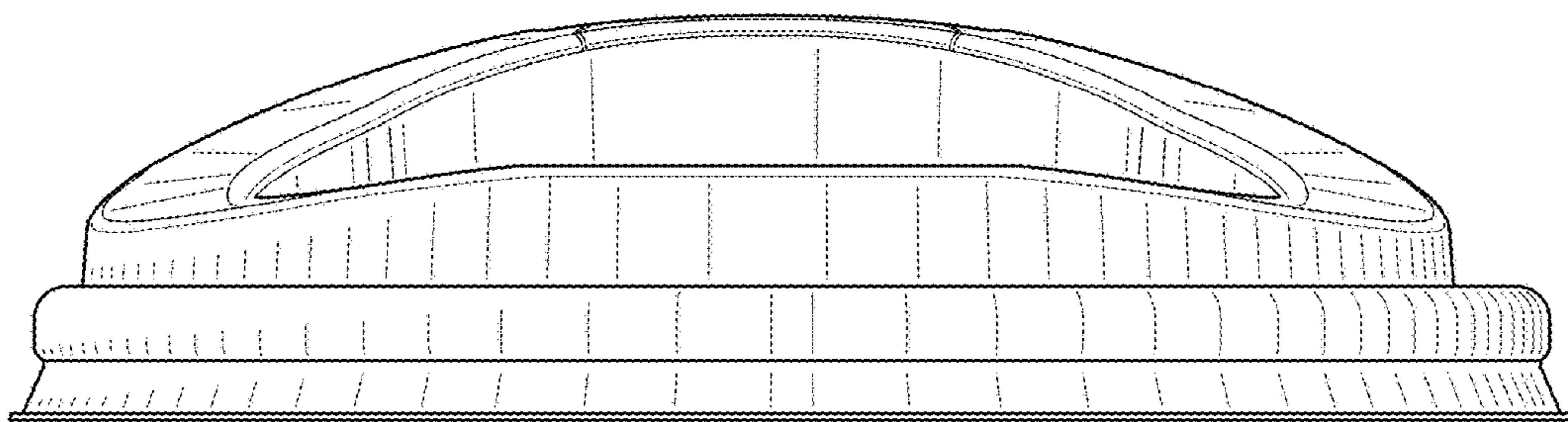


FIG. 3

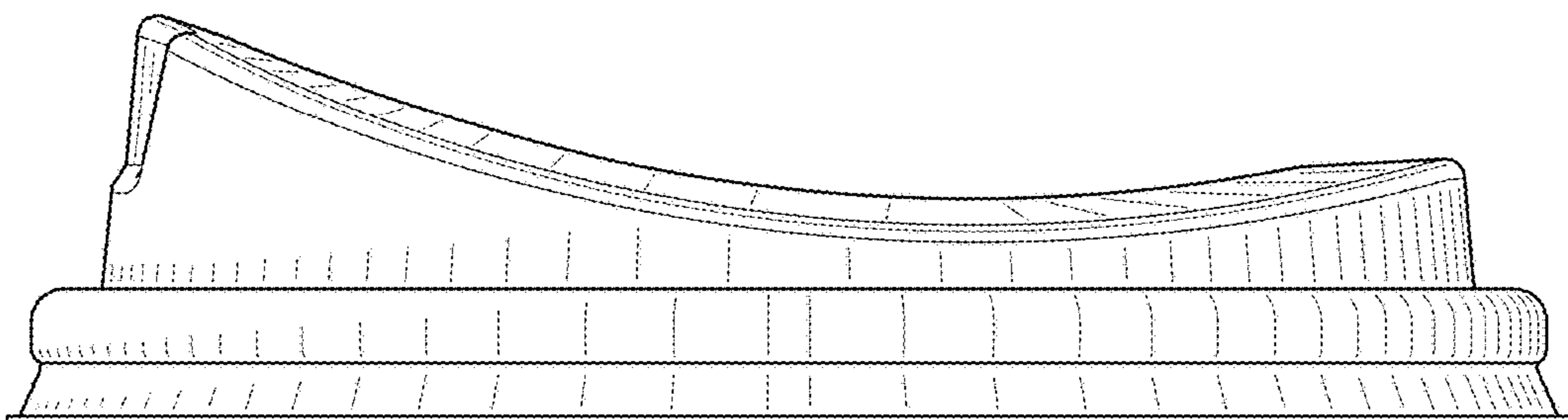


FIG. 4

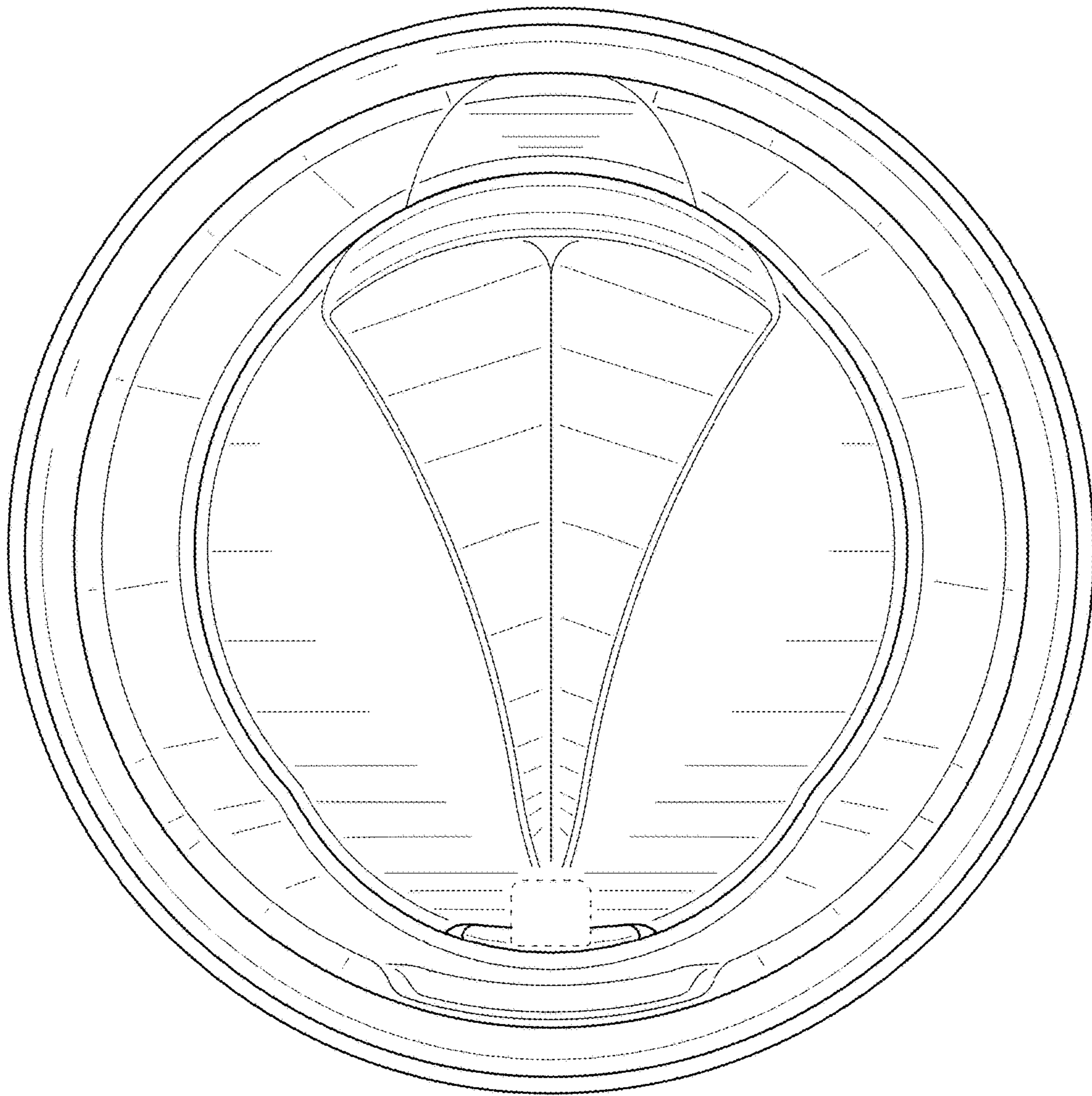


FIG. 5

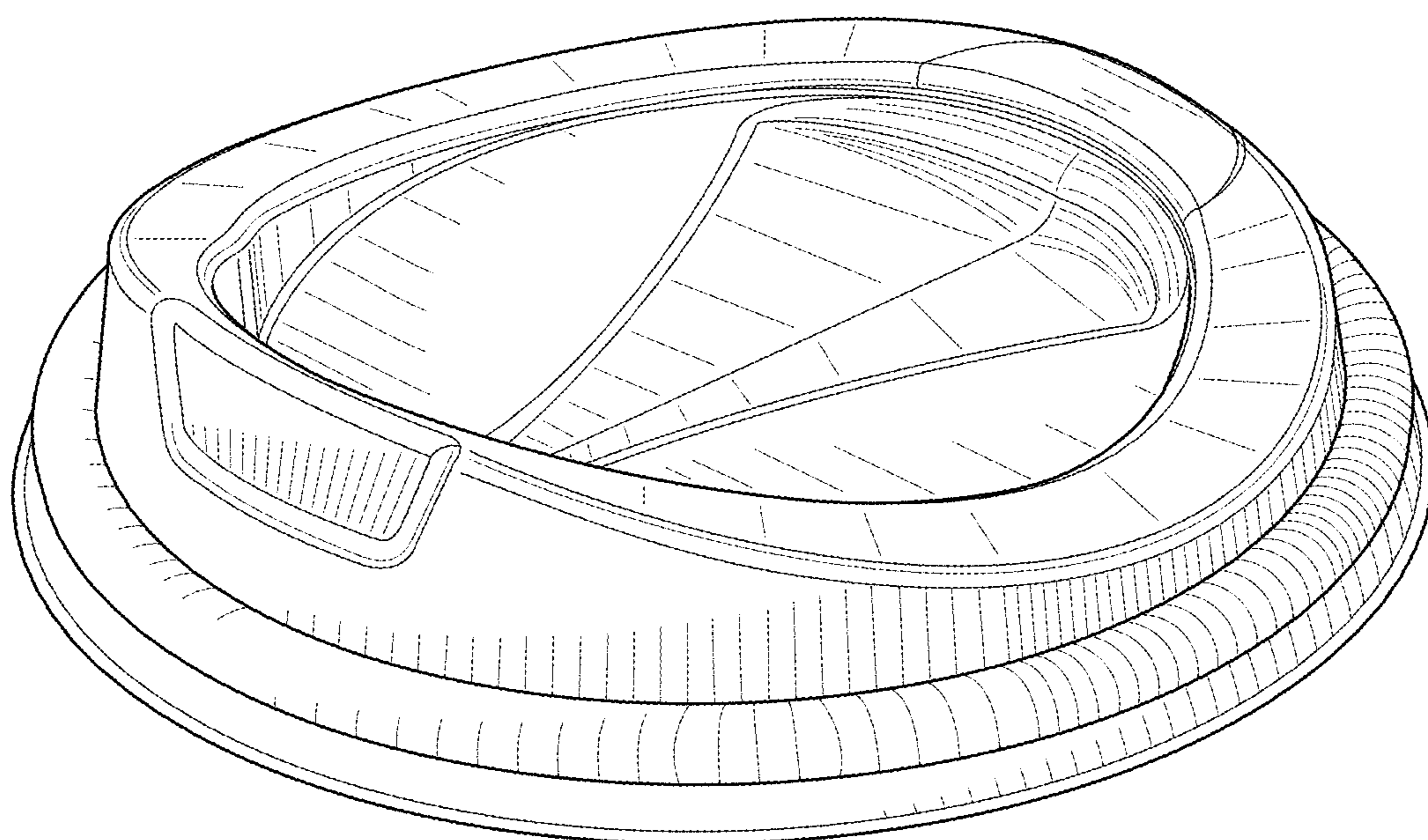


FIG. 6

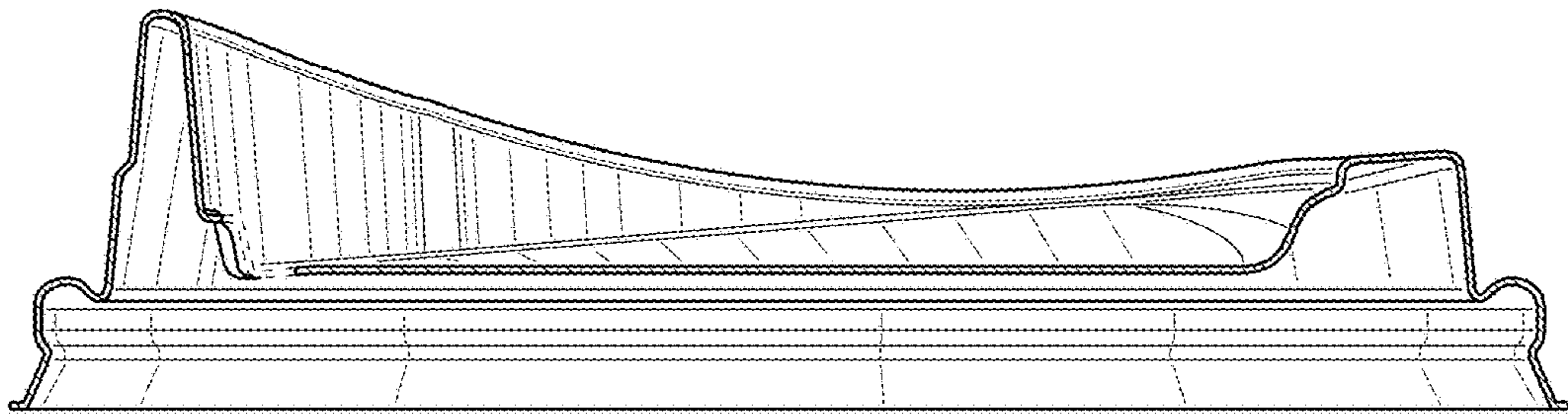


FIG. 7

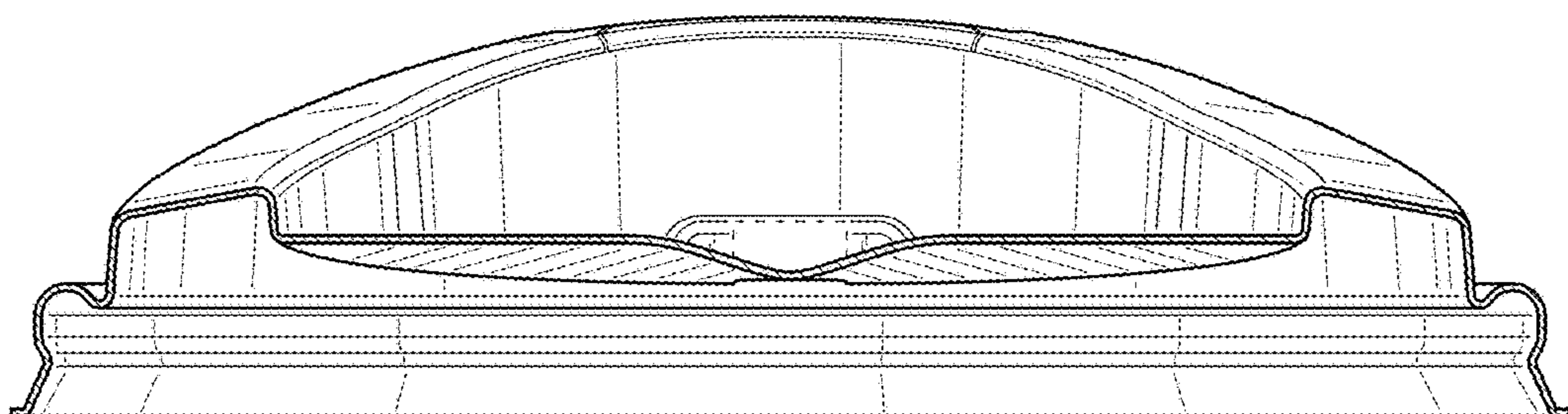


FIG. 8