



US00D827433S

(12) **United States Design Patent** (10) **Patent No.:** **US D827,433 S**
Bickford et al. (45) **Date of Patent:** **** *Sep. 4, 2018**

(54) **CAP**
(71) Applicant: **Novartis Consumer Health S.A.,**
Prangins (CH)
(72) Inventors: **William Bickford, Nyon (CH); Sylvain**
Patrice Dominique Fradin, Nyon (CH)
(73) Assignee: **Novartis Consumer Health S.A.,**
Prangins (CH)
(*) Notice: This patent is subject to a terminal dis-
claimer.
(**) Term: **15 Years**

D411,409 S * 6/1999 Wallays D7/391
D536,205 S * 2/2007 Jensen D7/300
D567,005 S * 4/2008 Bodum D7/312
D587,999 S * 3/2009 Schulthess D9/434
D612,659 S * 3/2010 Kehoe D7/316
D652,524 S * 1/2012 Messner D24/211
D658,935 S * 5/2012 Luppino D7/392
D673,726 S * 1/2013 Cartwright D26/142
D717,170 S * 11/2014 Tan D1/116
D717,648 S * 11/2014 Firestone D9/439
D742,160 S * 11/2015 Bodum D7/316
D745,739 S * 12/2015 Abadi D27/162
D751,393 S * 3/2016 Lynd D9/439
D751,724 S * 3/2016 Nelson D24/211
D754,333 S * 4/2016 Tokumoto D24/119
D768,293 S * 10/2016 Sawicki D24/119
D800,330 S * 10/2017 Loos D24/211

* cited by examiner

(21) Appl. No.: **29/580,278**

(22) Filed: **Oct. 7, 2016**

(30) **Foreign Application Priority Data**

Apr. 12, 2016 (GB) 5002367

(51) **LOC (11) Cl.** **09-07**

(52) **U.S. Cl.**
USPC **D9/440; D9/447; D24/119**

(58) **Field of Classification Search**
USPC D7/316, 392, 392.1, 396.2, 397, 510,
D7/533; D9/434-436, 438, 439, 440,
D9/443, 444, 447-450, 452-454, 499,
D9/549, 715, 717-719; D23/260, 269,
D23/390; D24/119, 129, 188, 200, 211
CPC B65D 59/06
See application file for complete search history.

(56) **References Cited**

U.S. PATENT DOCUMENTS

D224,034 S * 6/1972 Douglas D7/318
D260,928 S * 9/1981 Gueret D24/211

Primary Examiner — Eric L Goodman

Assistant Examiner — Darcey E Heflin

(74) *Attorney, Agent, or Firm* — Joshua C. Sanders

(57) **CLAIM**

The ornamental design for a cap, as shown and described.

DESCRIPTION

FIG. 1 is a front perspective view from top and right side of the cap;

FIG. 2 is a front view of the cap;

FIG. 3 is a back view of the cap;

FIG. 4 is a left side view of the cap;

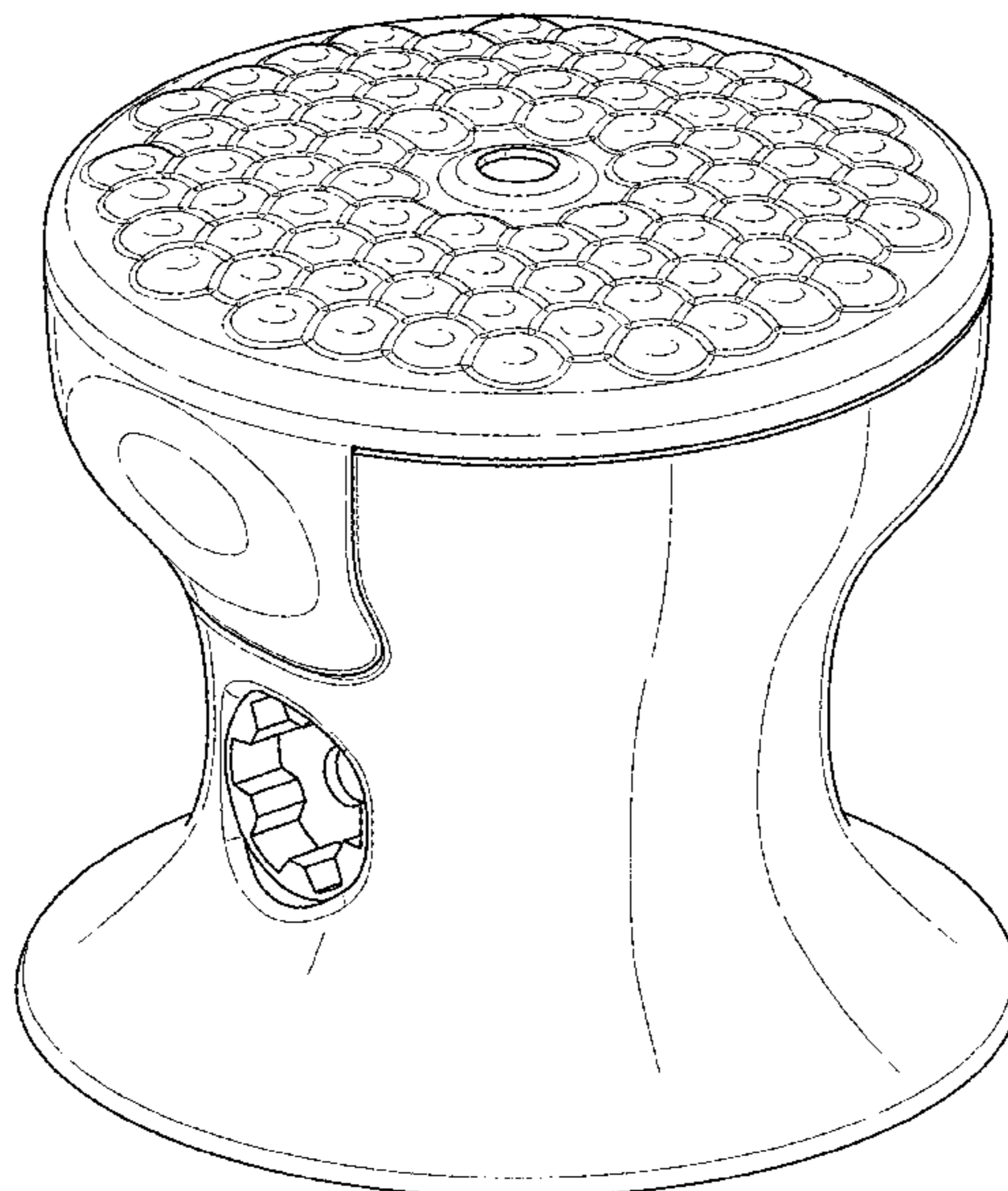
FIG. 5 is a right side view of the cap;

FIG. 6 is a top view of the cap; and,

FIG. 7 is a bottom view of the cap.

In the drawings, the broken lines showing portions of a cap depict environment and form no part of the claim.

1 Claim, 7 Drawing Sheets



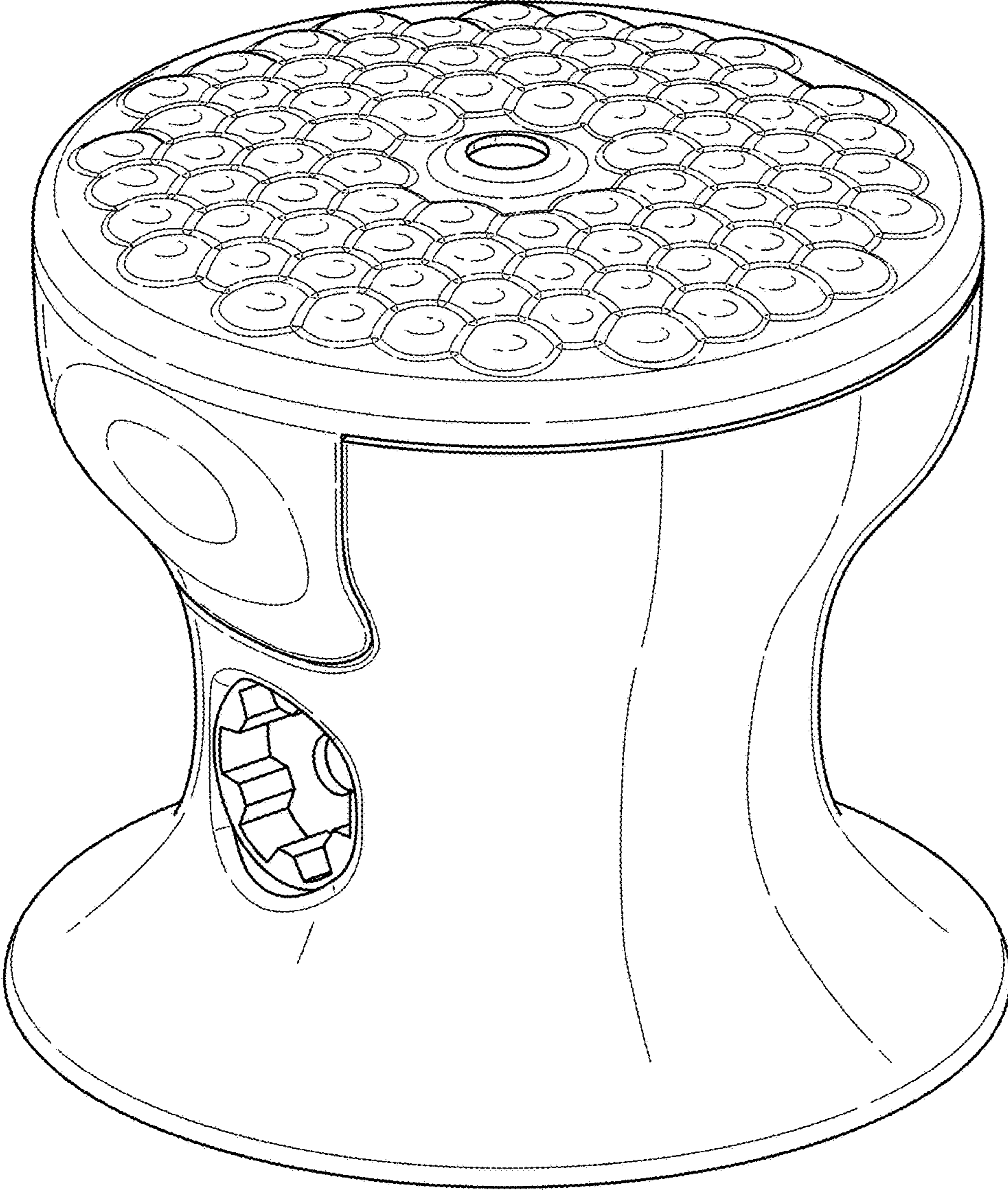


FIG. 1

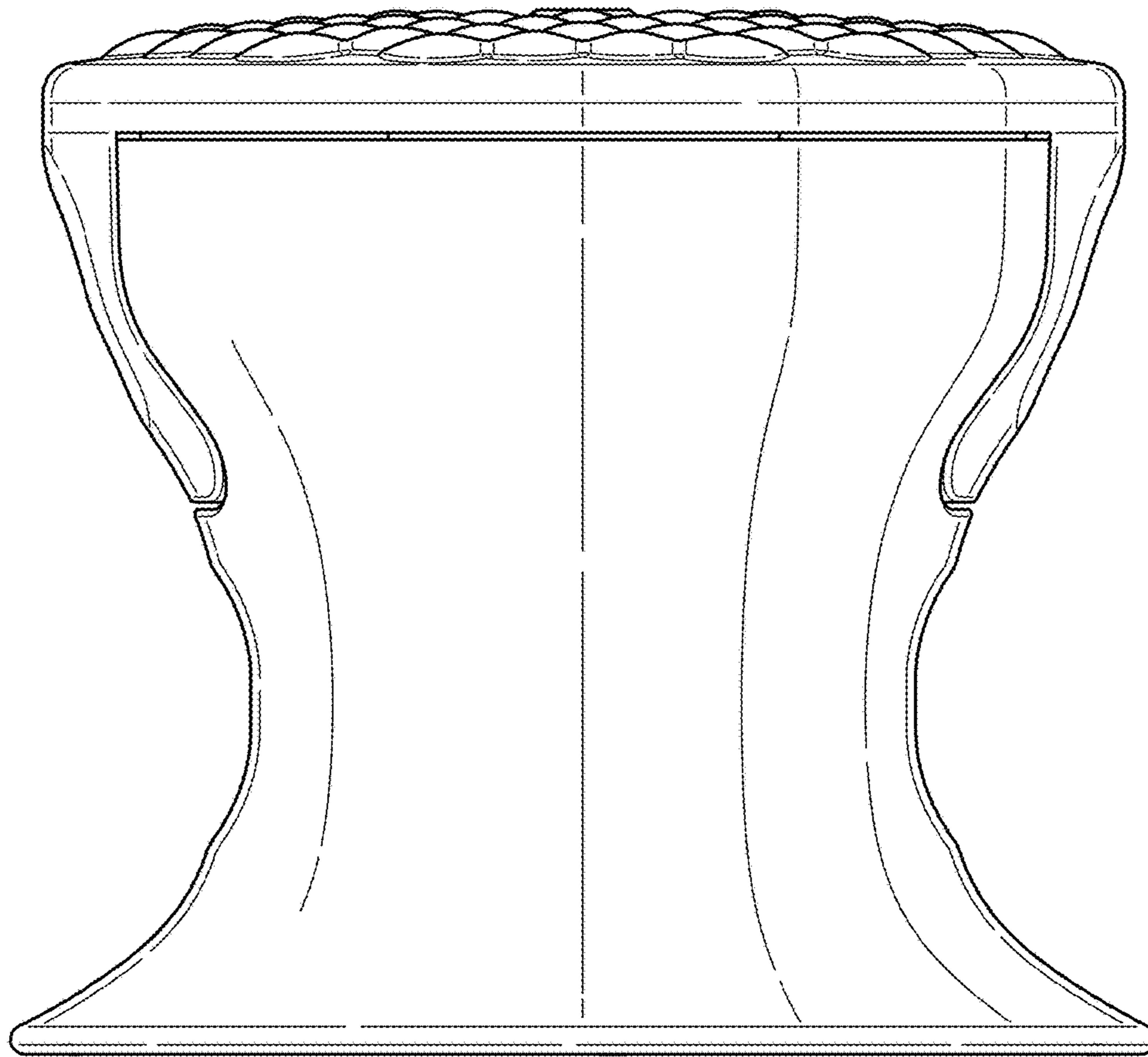


FIG. 2

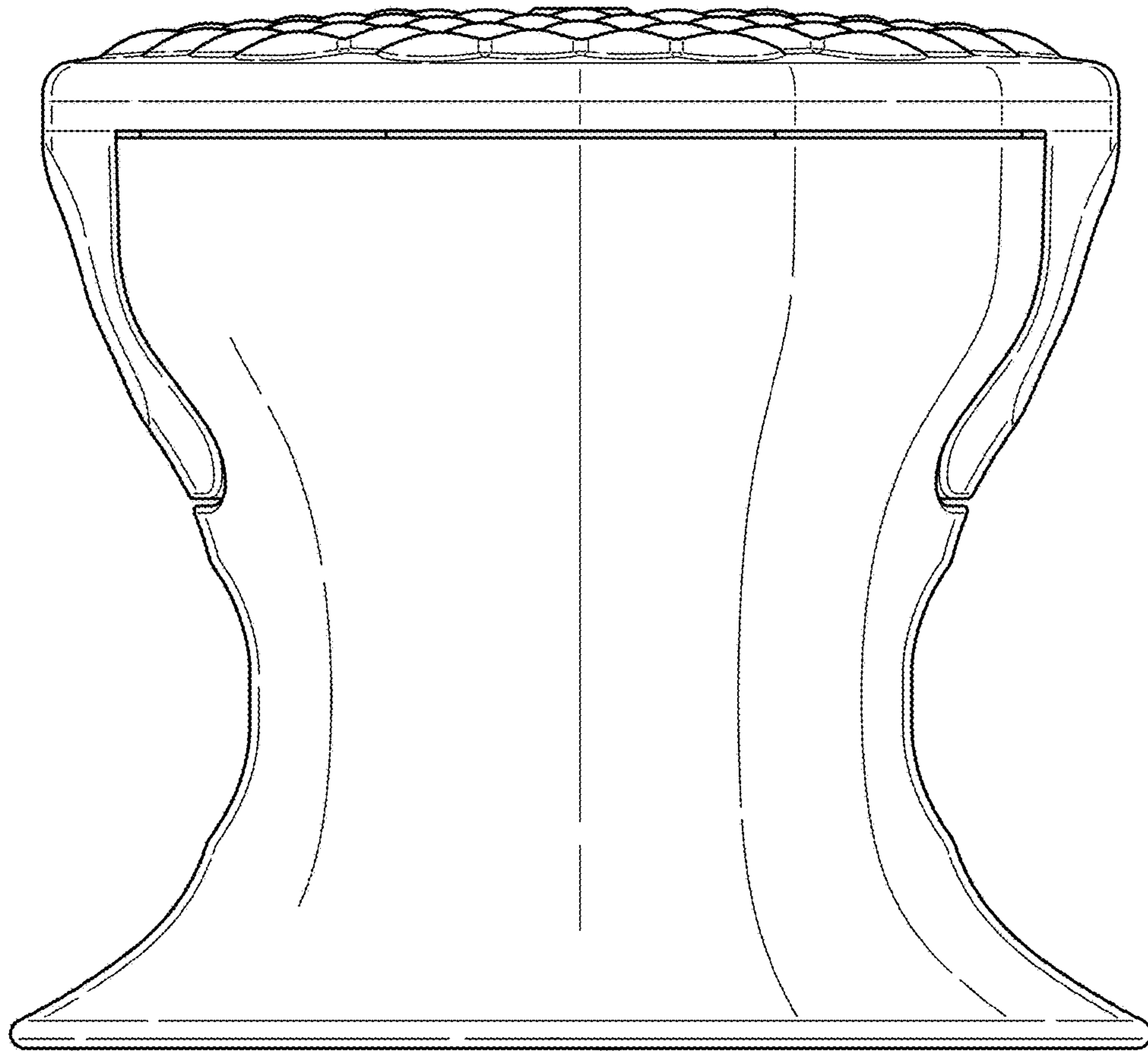


FIG. 3

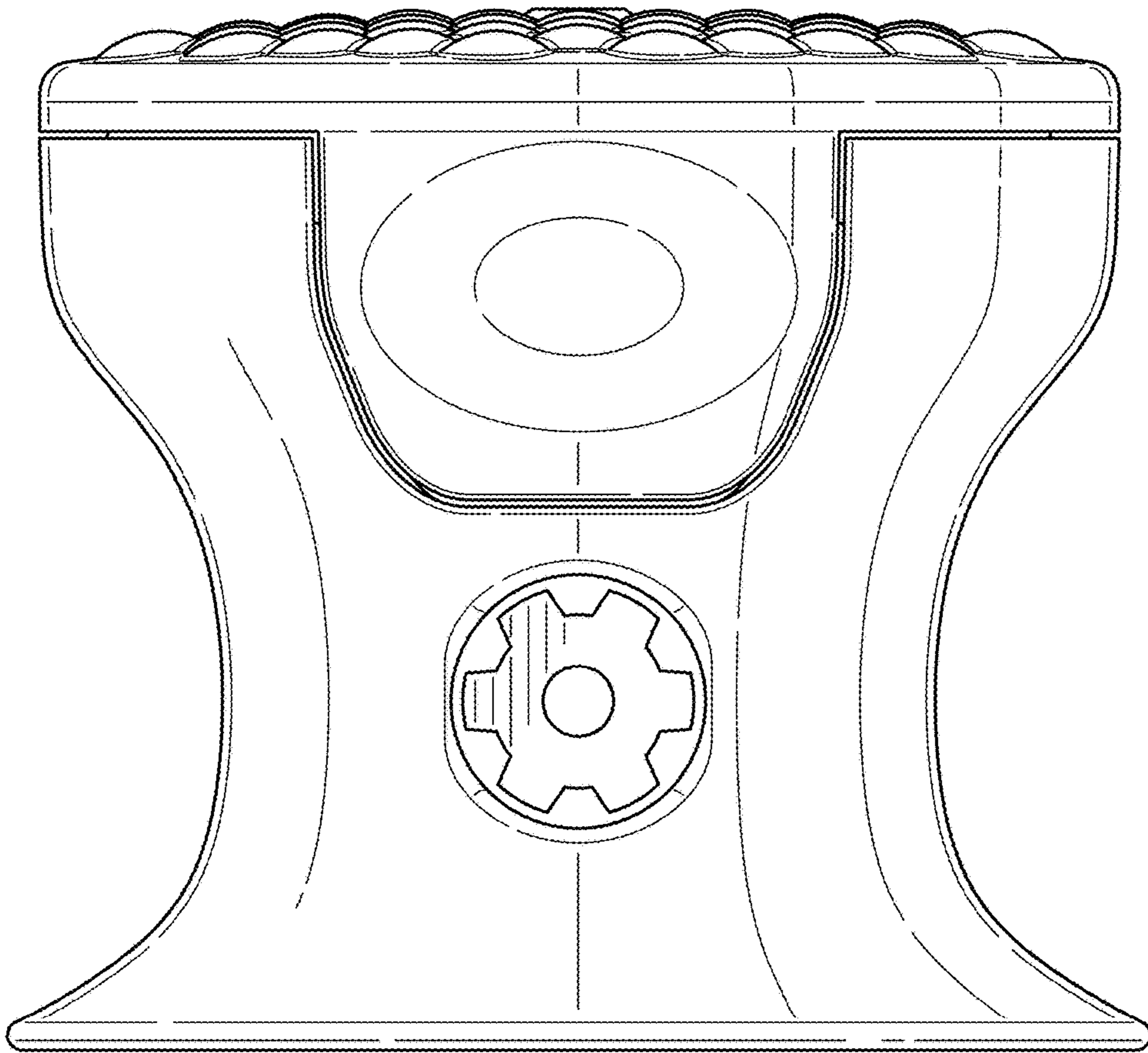


FIG. 4

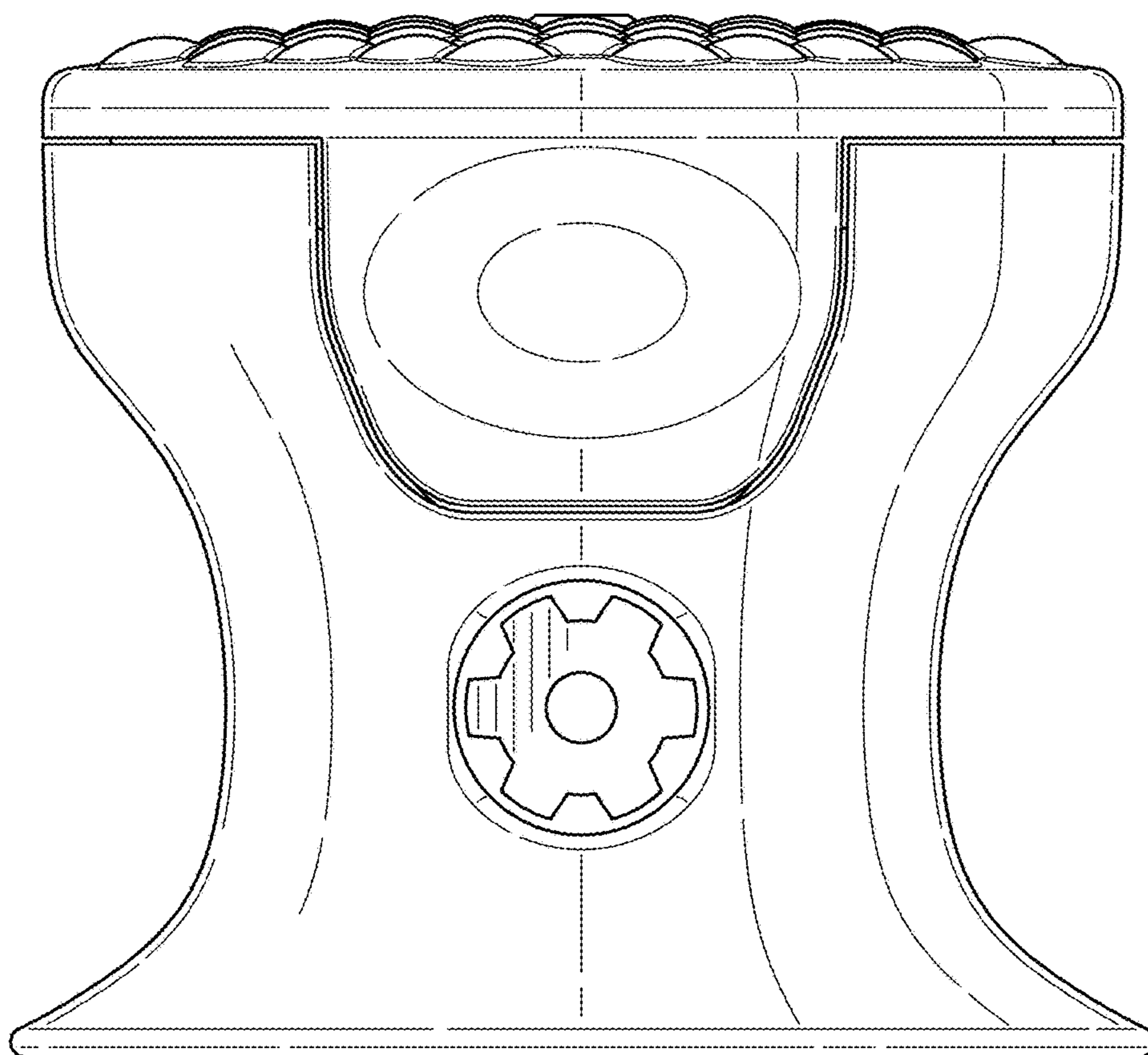


FIG. 5

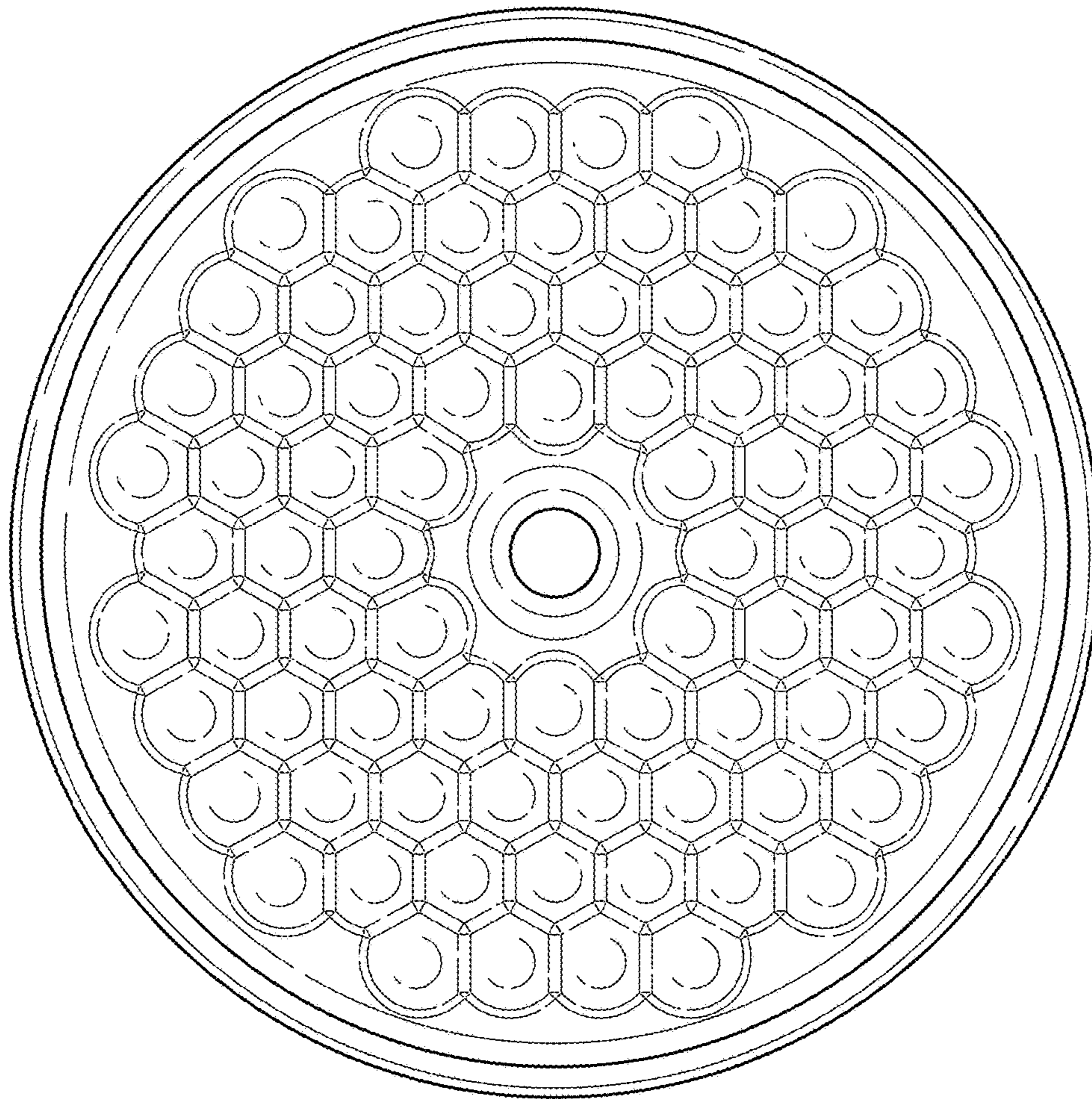


FIG. 6

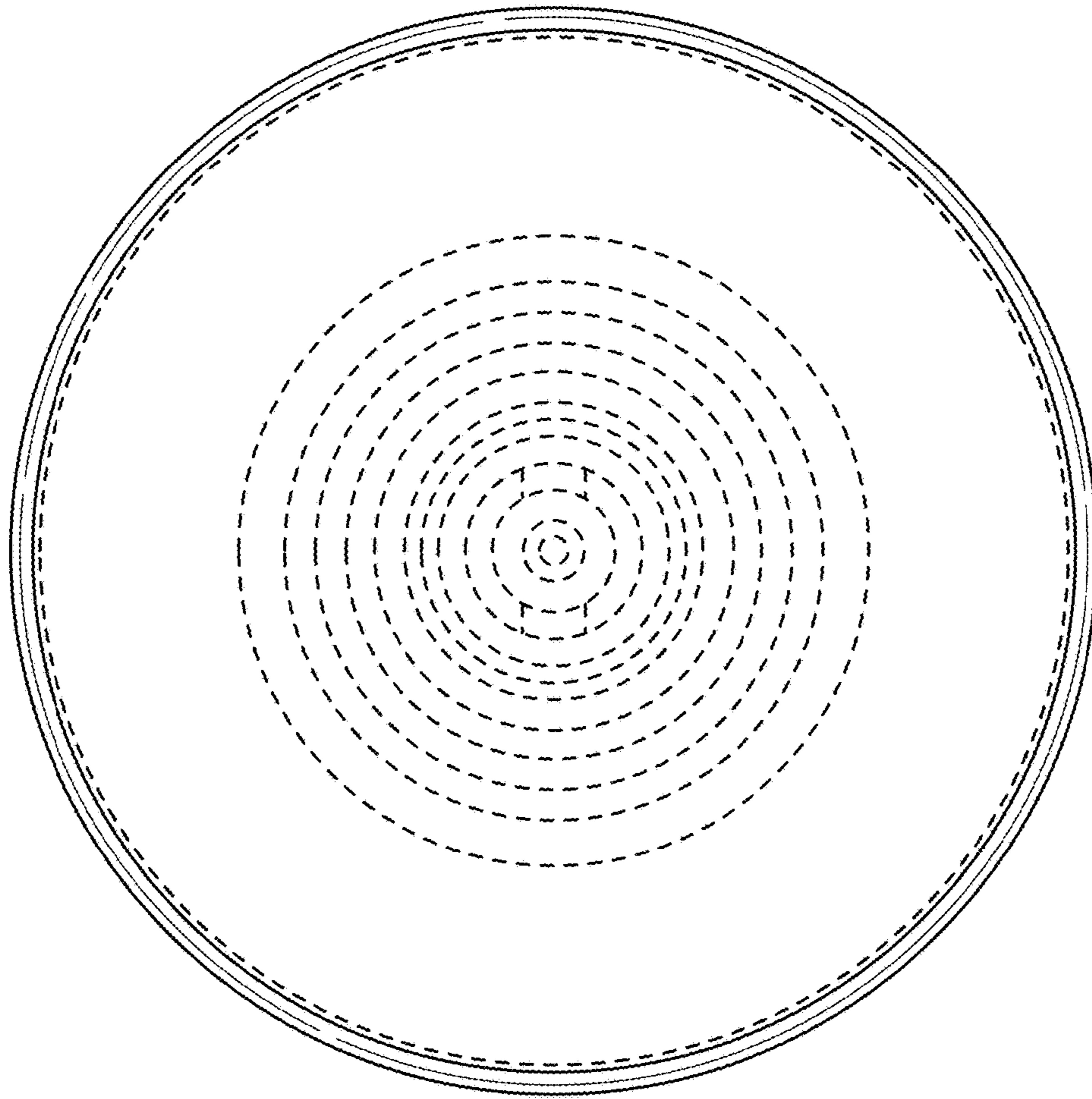


FIG. 7