



US00D827431S

(12) **United States Design Patent** (10) **Patent No.:** **US D827,431 S**
Frontany (45) **Date of Patent:** **** *Sep. 4, 2018**

- (54) **CAP FOR MEDICATION BOTTLE**
- (71) Applicant: **Nelson G Frontany**, San Juan, PR (US)
- (72) Inventor: **Nelson G Frontany**, San Juan, PR (US)
- (*) Notice: This patent is subject to a terminal disclaimer.
- (**) Term: **15 Years**
- (21) Appl. No.: **29/564,153**
- (22) Filed: **May 11, 2016**
- (51) **LOC (11) Cl.** **09-07**
- (52) **U.S. Cl.**
USPC **D9/436**
- (58) **Field of Classification Search**
USPC D9/434-436, 438, 440, 443, 445, 447,
D9/448, 452, 453, 454, 499; D24/127,
D24/128; D3/203.1, 203.2
CPC .. B65D 41/34; B65D 41/3438; B65D 47/122;
B65D 51/28
See application file for complete search history.

D772,065 S * 11/2016 Mataya D9/436
 9,516,961 B1 * 12/2016 Yambao A47G 19/2227
 D781,705 S * 3/2017 Hewitt D9/436

OTHER PUBLICATIONS

Amazon. Timer Caps with Large Vials LCD Stopwatch Timer-Reminder for Medications and Vitamins. Nov. 26, 2013 [earliest online date], [site visited Mar. 29, 2017]. Available from Internet, <URL:https://www.amazon.com/Timer-Caps-Large-Vials-Automatically/dp/B00ECK8KFG>.*

* cited by examiner

Primary Examiner — Robert M Spear
Assistant Examiner — Darcey E Heflin

(57) **CLAIM**

The ornamental design for a cap for medication bottle, as shown and described.

DESCRIPTION

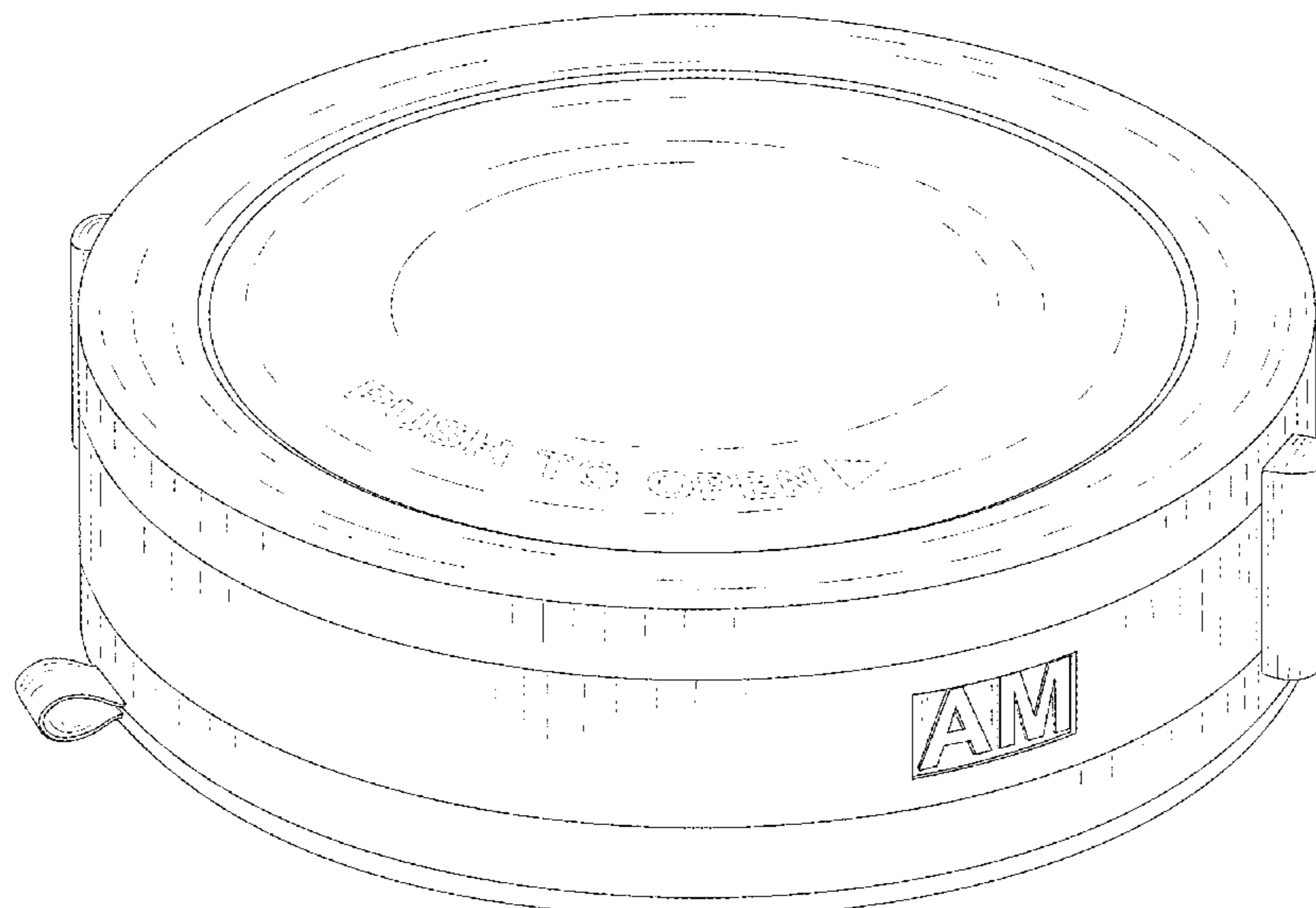
FIG. 1 is a front elevational view of a cap for medication bottle showing my new design;
 FIG. 2 is a right side elevational view thereof;
 FIG. 3 is a rear elevational view thereof;
 FIG. 4 is a left side elevational view thereof;
 FIG. 5 is a top plan view thereof;
 FIG. 6 is a bottom plan view thereof;
 FIG. 7 is a perspective view thereof;
 FIG. 8 is an exploded front elevational view thereof, revealing a rotatable ring;
 FIG. 9 is a right side elevational view thereof;
 FIG. 10 is a rear elevational view thereof;
 FIG. 11 is a left side elevational view thereof; and,
 FIG. 12 is a perspective view thereof.
 In the drawings, the evenly-spaced broken lines showing portions of a cap depict environment and form no part of the claim; the dash-dot-dash lines represent boundaries of the claimed design and form no part thereof.

(56) **References Cited**

U.S. PATENT DOCUMENTS

D30,765 S *	5/1899	Lindemeyr	D9/453
2,450,949 A *	10/1948	Gattuccio	A61J 7/04 116/308
D230,139 S *	1/1974	Bart	D9/452
D327,648 S *	7/1992	Cane	D9/435
5,277,325 A *	1/1994	Yan	B65D 55/145 215/206
D391,162 S *	2/1998	Kokenge	D9/504
D411,742 S *	6/1999	Kokenge	D9/434
D490,707 S *	6/2004	Mataya	D24/224
7,661,384 B2 *	2/2010	Mataya	A61J 7/04 116/307
D650,669 S *	12/2011	Dunwoody	D9/435
D656,818 S *	4/2012	Dunwoody	D9/435

1 Claim, 12 Drawing Sheets



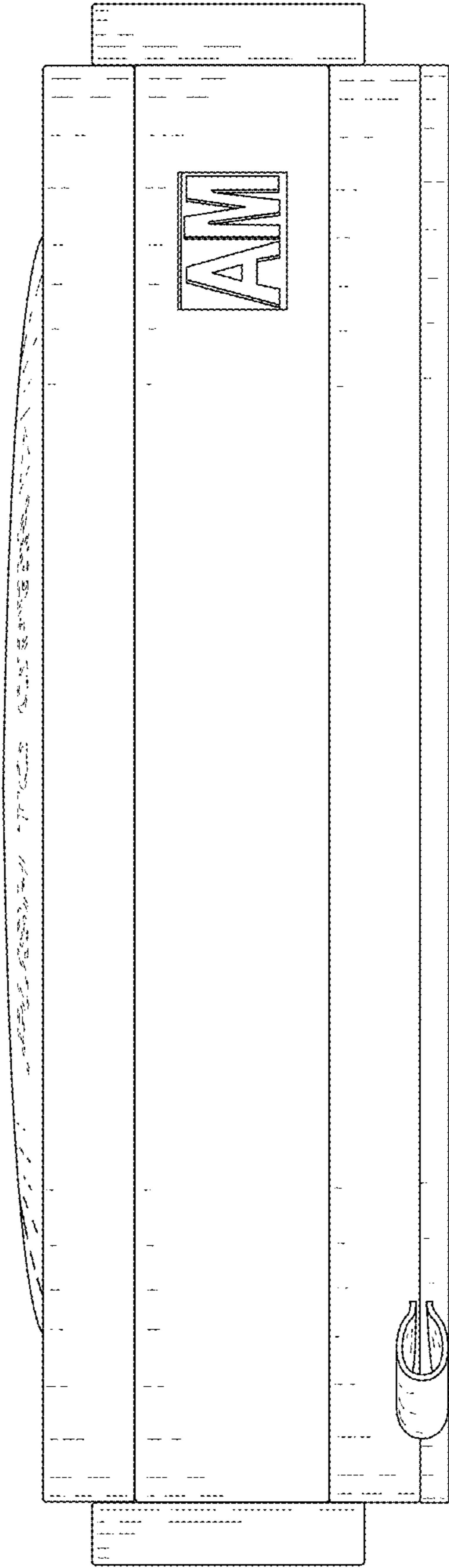


FIG. 1

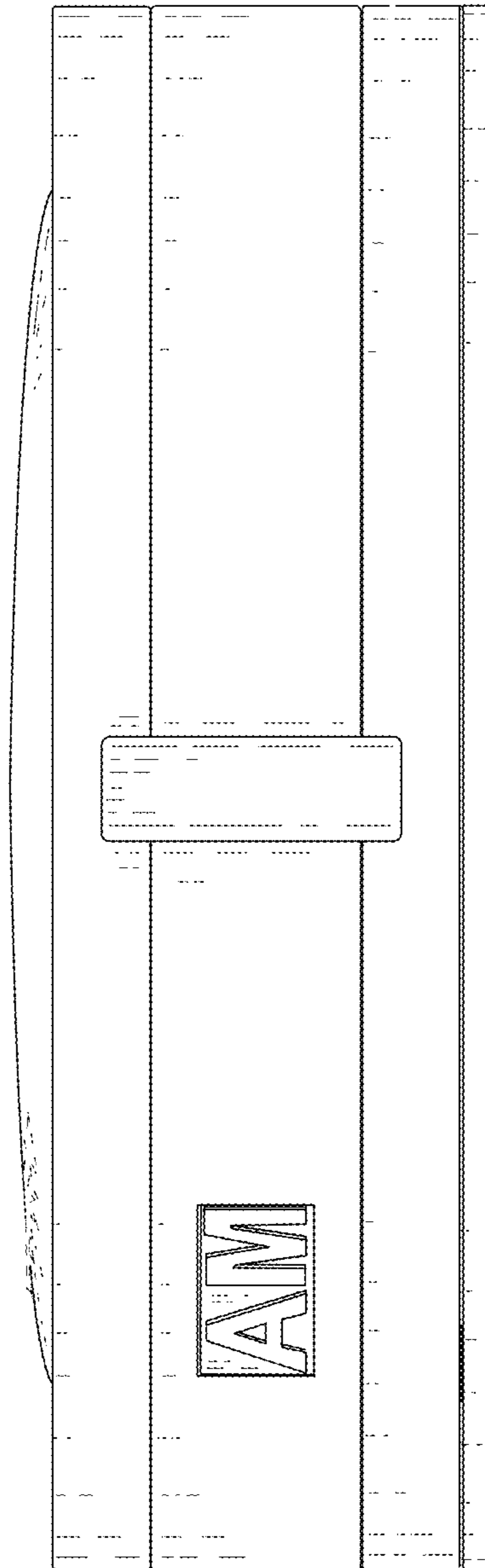


FIG. 2

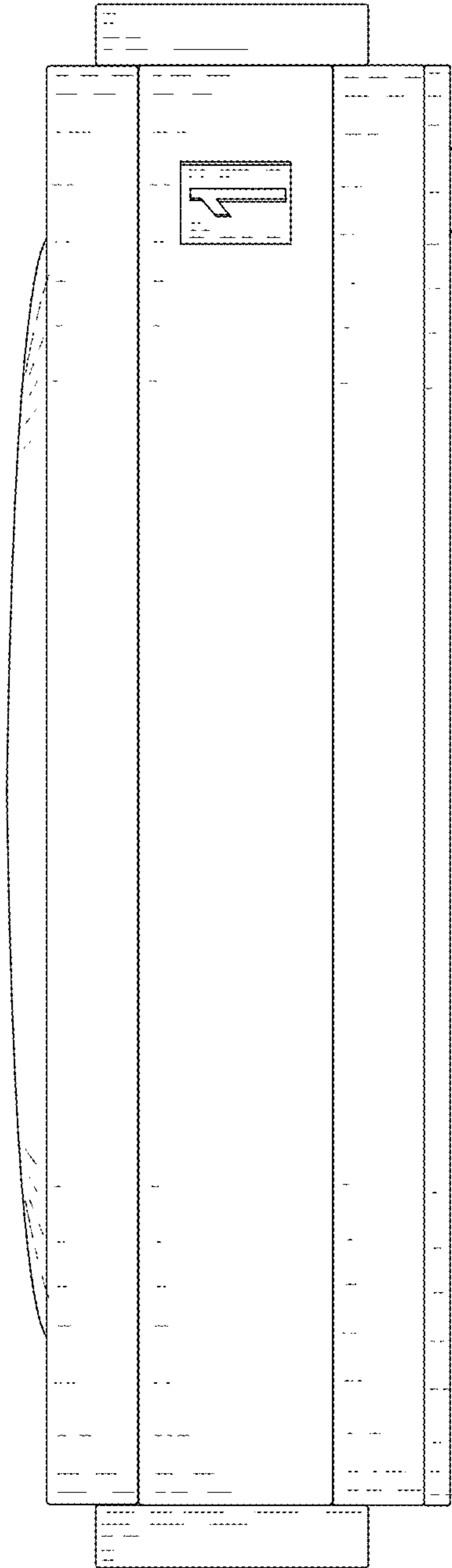


FIG. 3

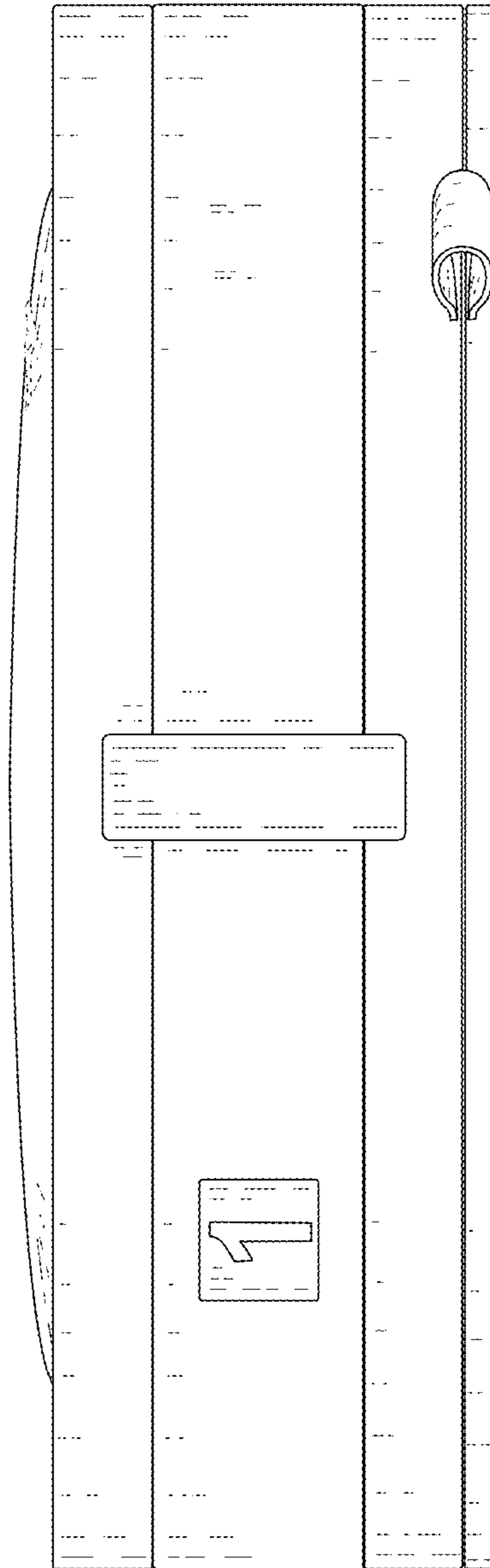


FIG. 4

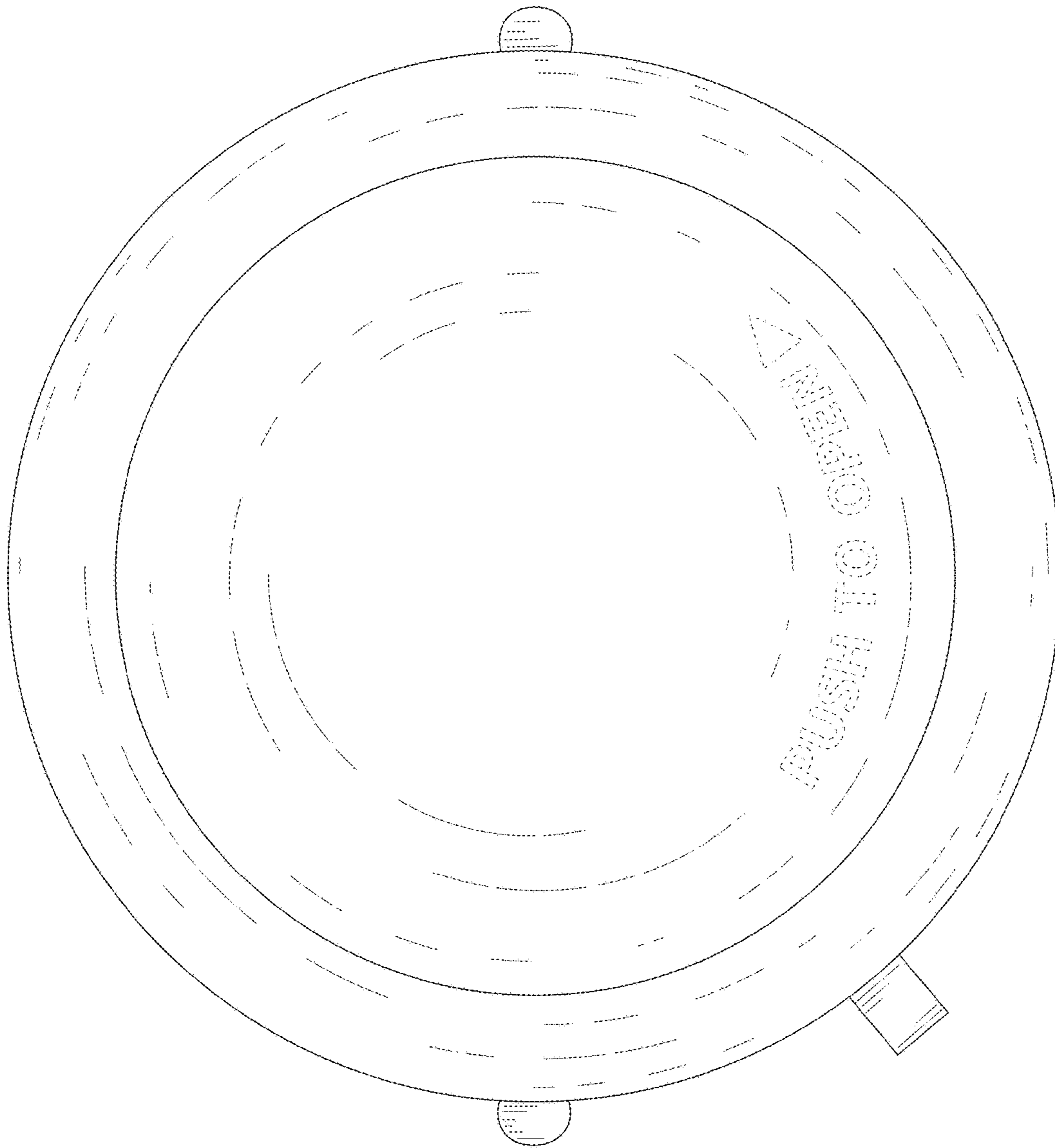


FIG. 5

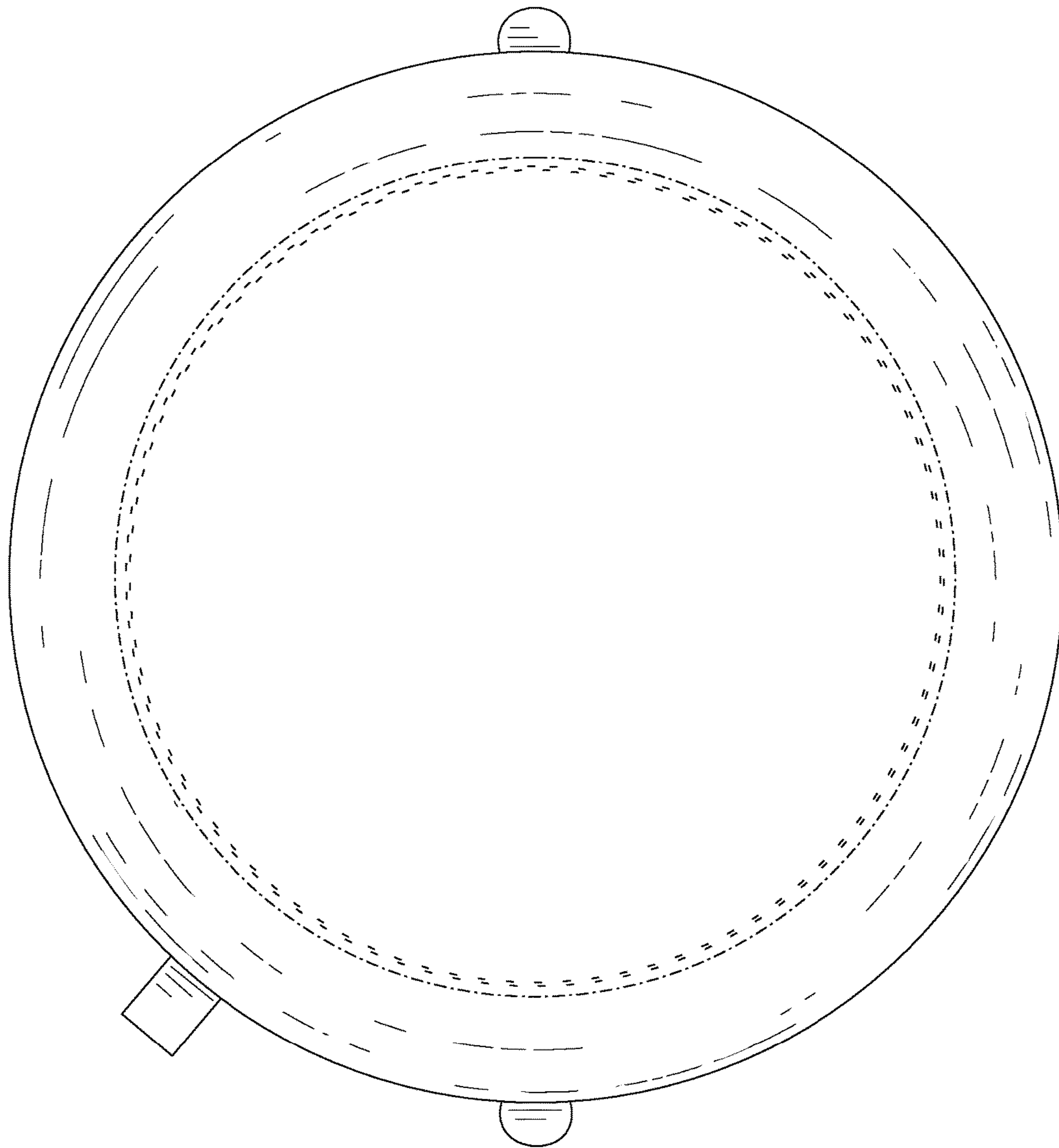


FIG. 6

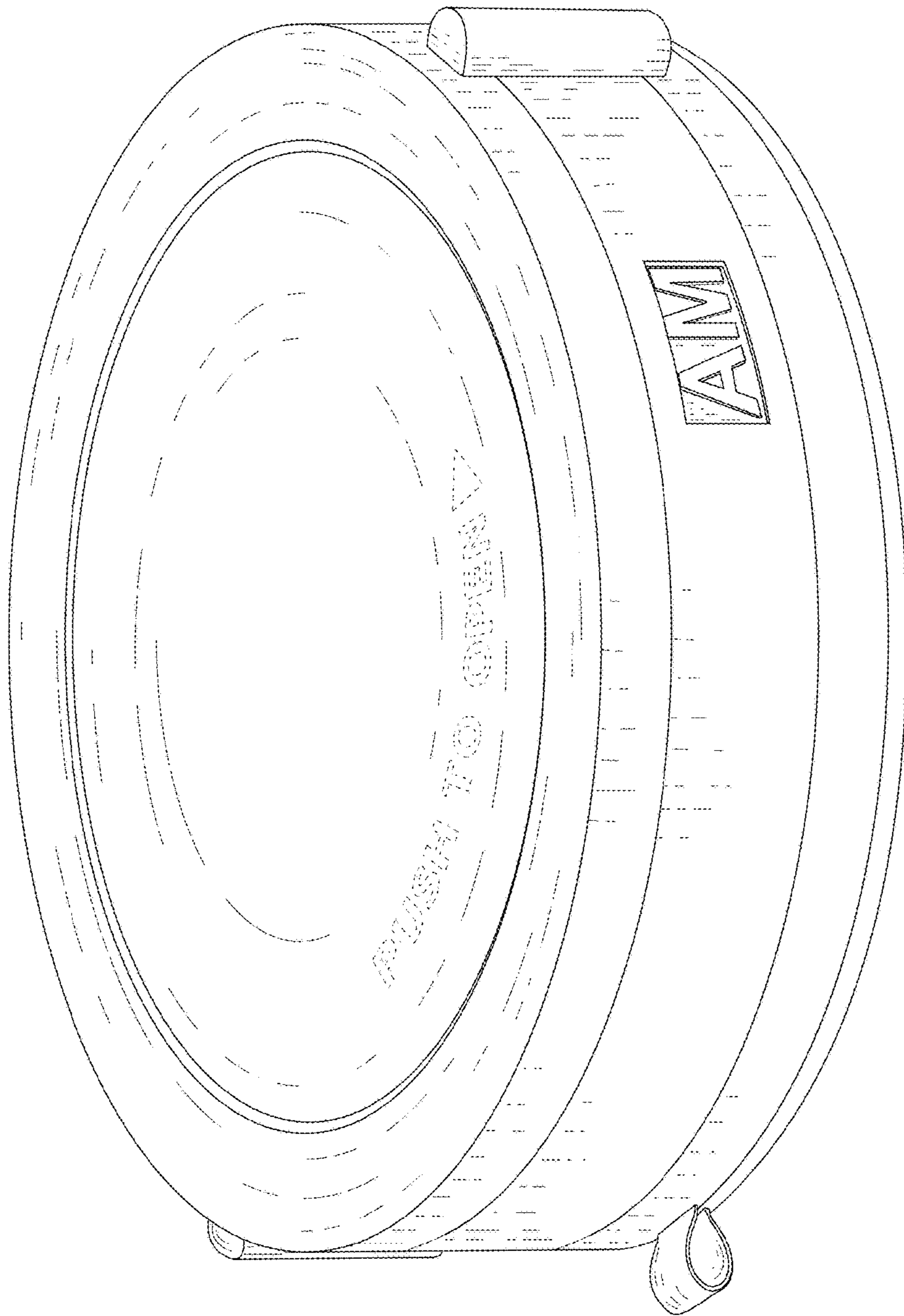


FIG. 7

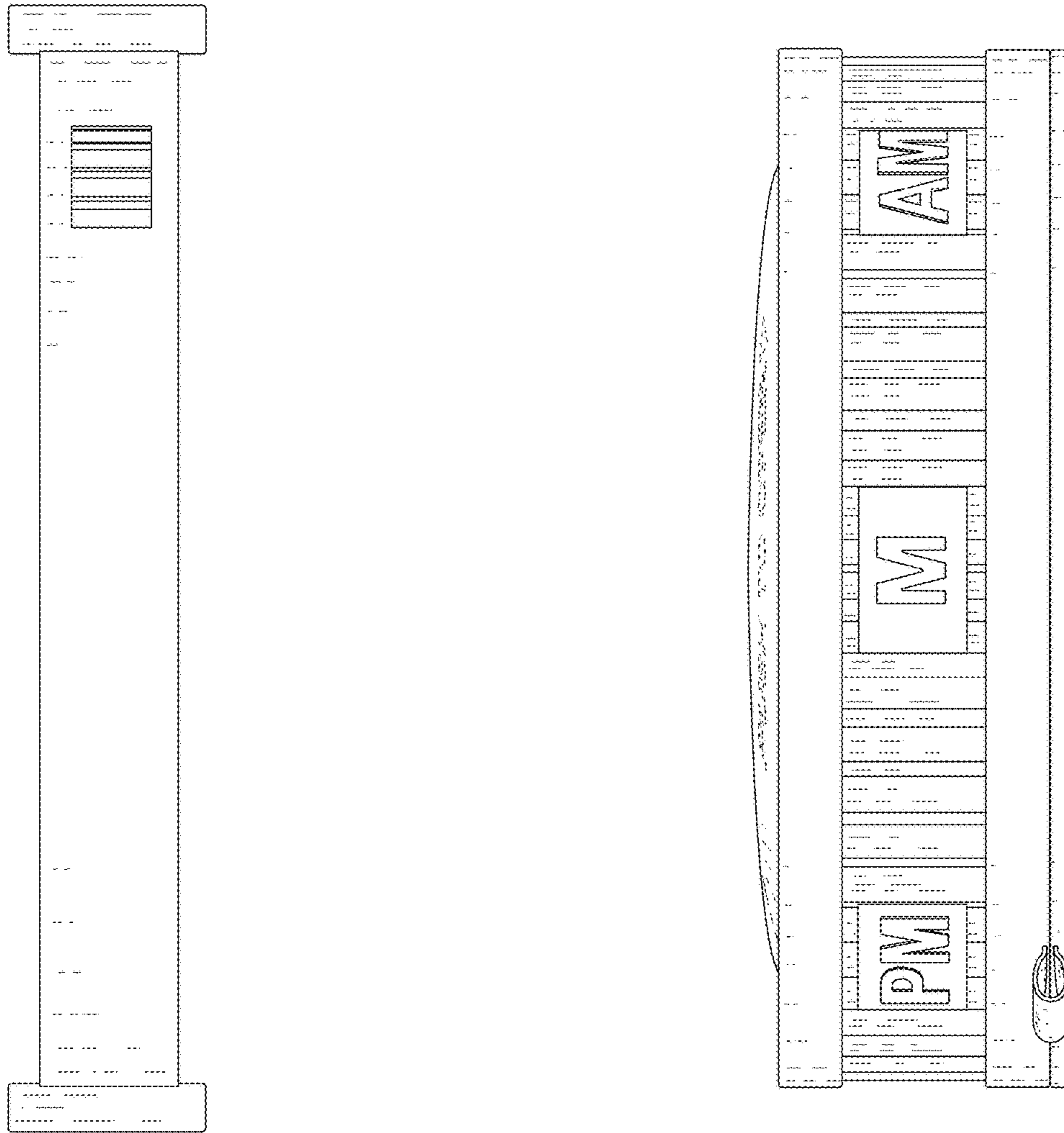


FIG. 8

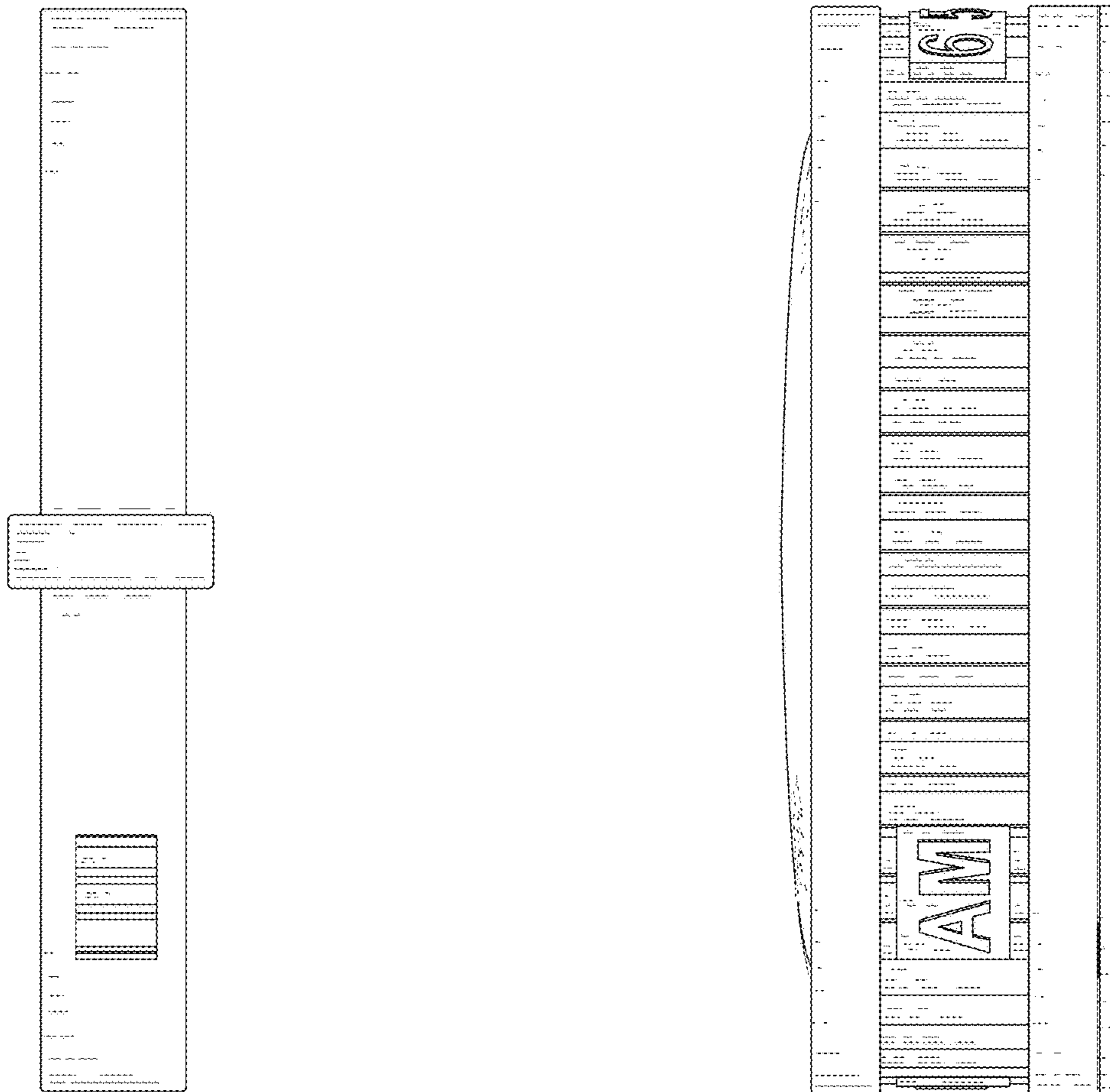


FIG. 9

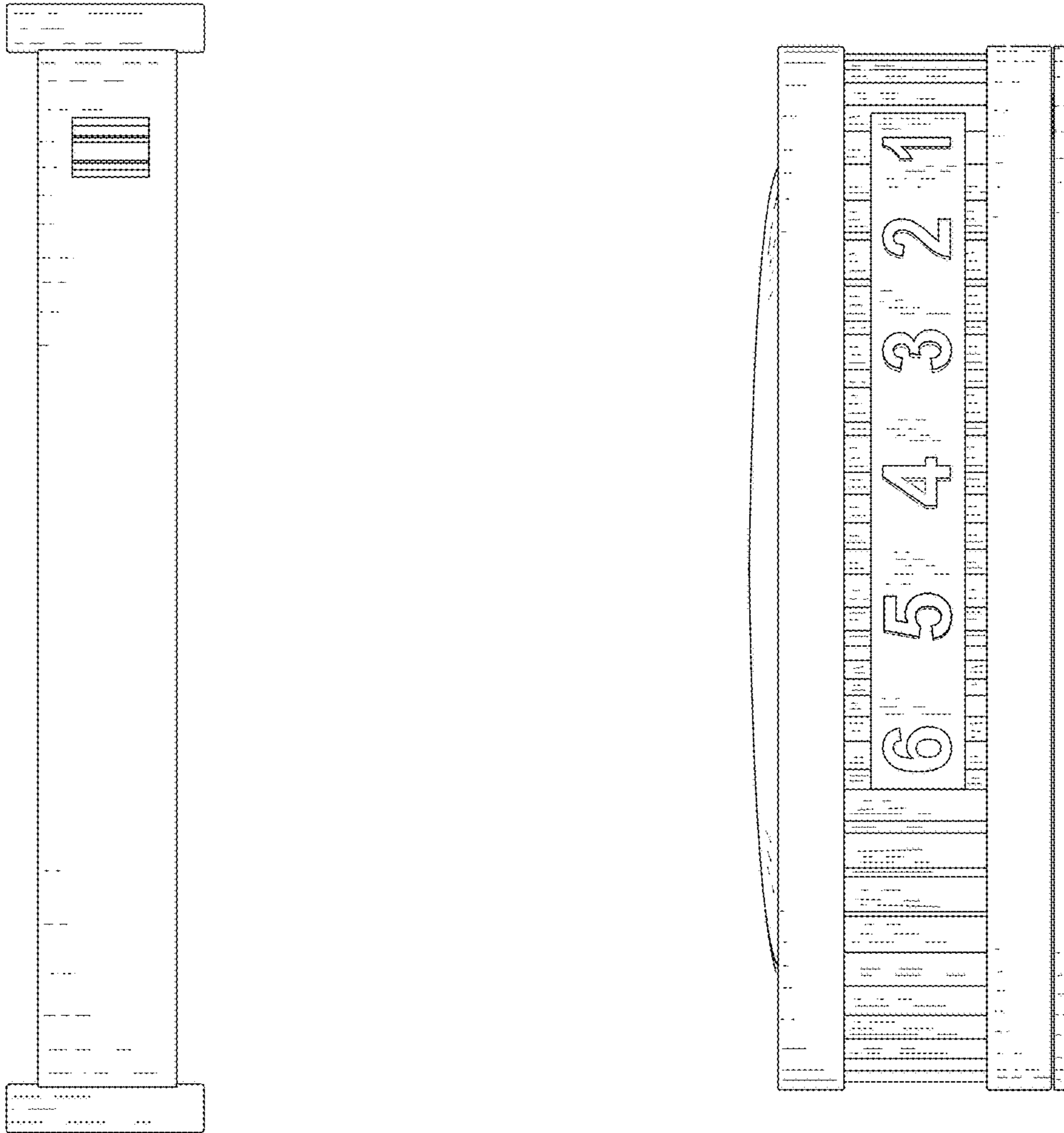


FIG. 10

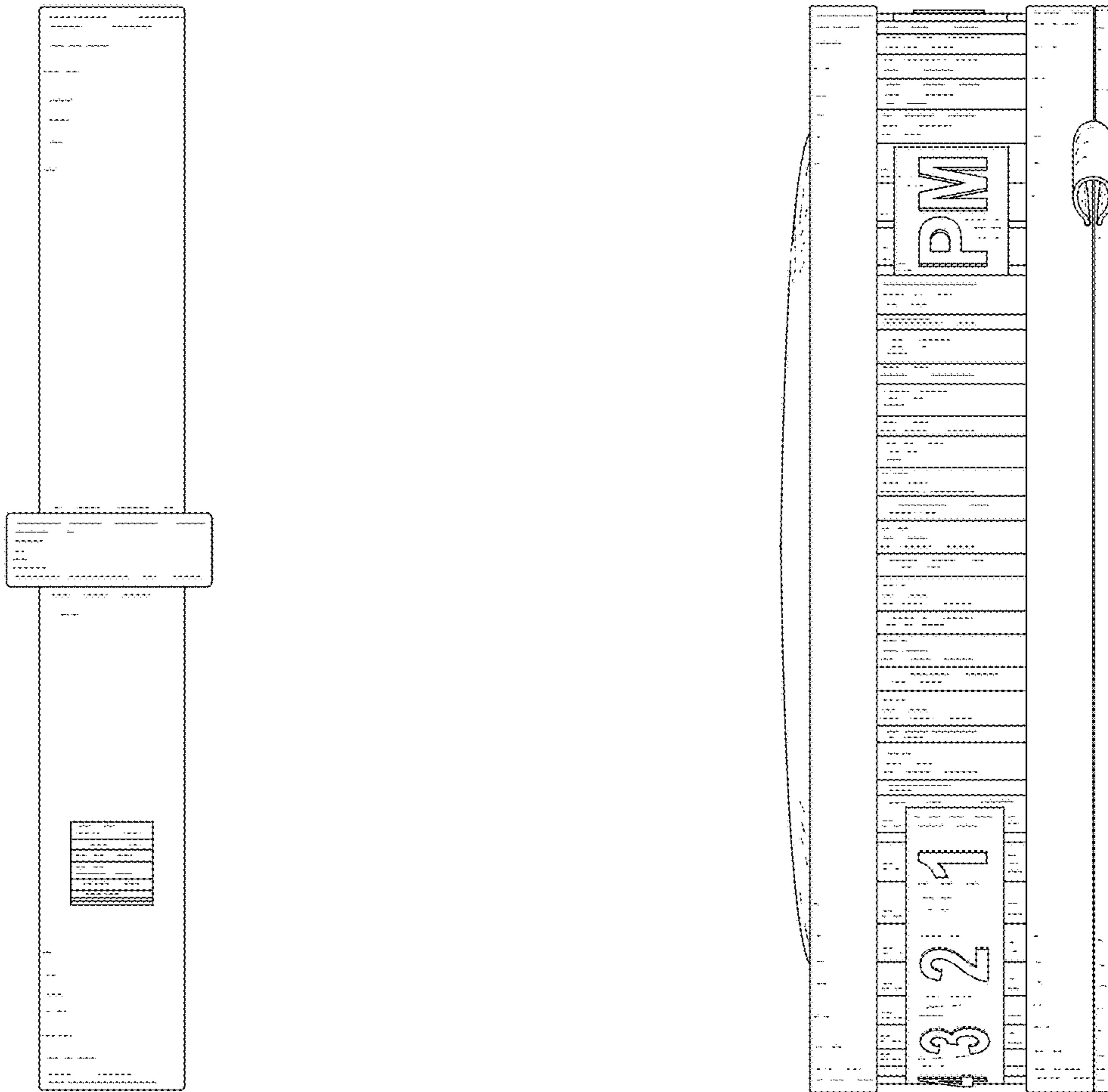


FIG. 11

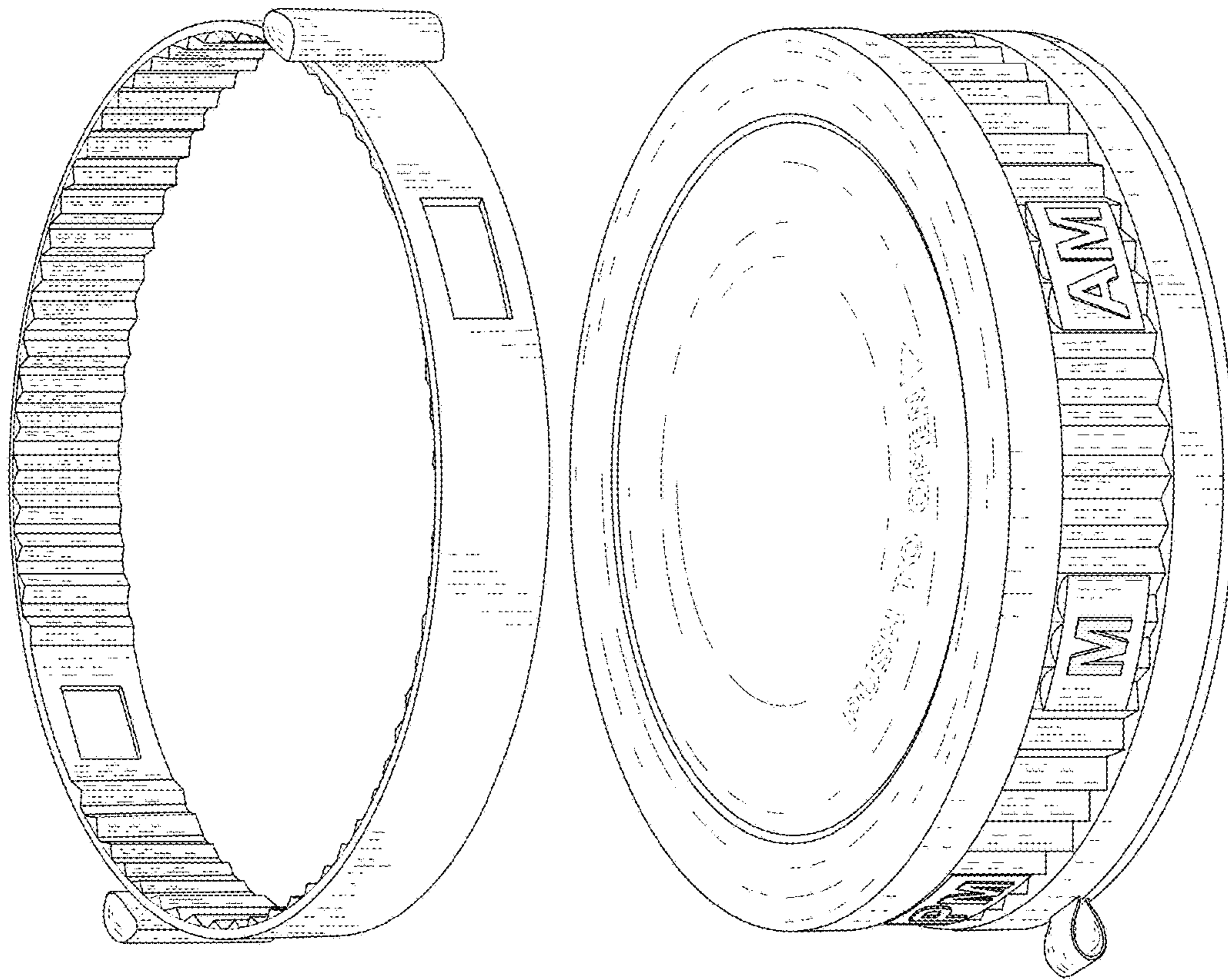


FIG. 12