



US00D827427S

(12) **United States Design Patent** (10) **Patent No.:** **US D827,427 S**
McCumber et al. (45) **Date of Patent:** **** Sep. 4, 2018**

(54) **CONTAINER**

(71) Applicants: **Donald E. McCumber**, Madison, WI (US); **Michael T. Robl**, Madison, WI (US)

(72) Inventors: **Donald E. McCumber**, Madison, WI (US); **Michael T. Robl**, Madison, WI (US)

(73) Assignee: **PLACON CORPORATION**, Madison, WI (US)

(**) Term: **15 Years**

(21) Appl. No.: **29/589,771**

(22) Filed: **Jan. 4, 2017**

(51) **LOC (11) Cl.** **09-03**

(52) **U.S. Cl.**
USPC **D9/425**

(58) **Field of Classification Search**
 USPC D7/396.1, 538-542, 602, 608, 629;
 D9/414, 424-429, 432, 761; 206/499,
 206/508, 557; 220/23.4, 23.6, 315, 500,
 220/659, 669, 674, 675, 696, 752, 760,
 220/790, 793; 229/105, 117.09, 117.26,
 229/189, 406, 407, 902, 905
 CPC ... B65D 1/34; B65D 1/36; B65D 1/40; B65D
 25/04; B65D 43/00; B65D 43/02; B65D
 81/34; B65D 81/3446; B65D 2543/00;
 B65D 2581/34

See application file for complete search history.

(56) **References Cited**

U.S. PATENT DOCUMENTS

2,695,115 A	4/1953	Roop	
3,117,692 A	1/1964	Carpenter et al.	
4,286,713 A	9/1981	Marchais	
D296,191 S *	6/1988	Yoshida	D9/425
4,832,200 A	5/1989	Deaton et al.	

D305,410 S *	1/1990	Tyler	D9/425
5,419,451 A	5/1995	Bitel, Jr.	
D360,336 S	7/1995	Bitel, Jr.	
6,371,364 B1	4/2002	Maillot et al.	
7,017,775 B2	3/2006	Zettle et al.	
7,032,773 B2	4/2006	Dees et al.	
D606,812 S *	12/2009	Wu	D7/629
D614,023 S *	4/2010	Amos	D9/416
7,798,353 B2	9/2010	Blythe et al.	
D649,033 S *	11/2011	Epstein	D9/425
D649,410 S *	11/2011	Segal	D7/629
D677,150 S	3/2013	Barbier	

(Continued)

Primary Examiner — Derrick E Holland

Assistant Examiner — Janice Patyk

(74) *Attorney, Agent, or Firm* — Stiennon & Stiennon

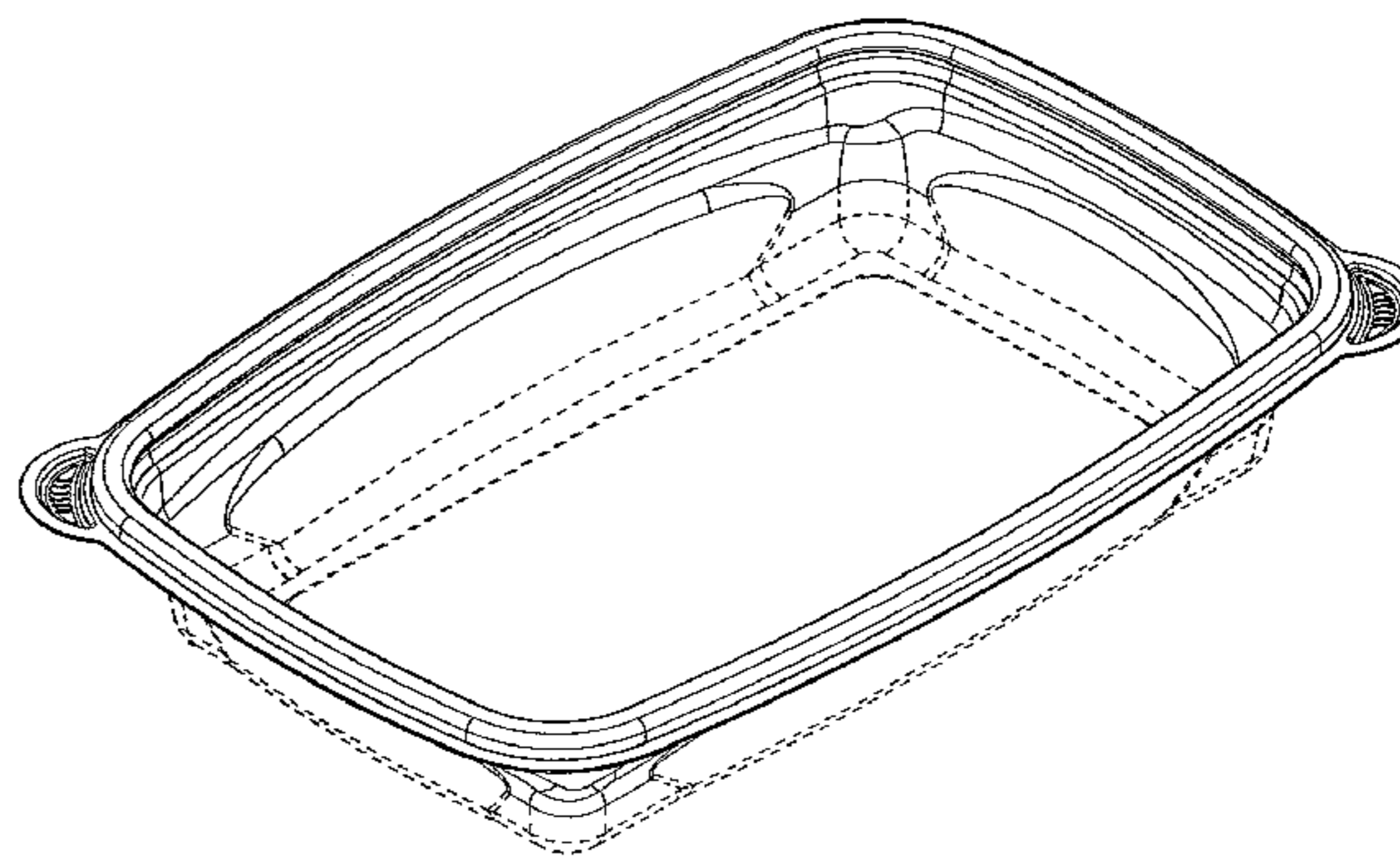
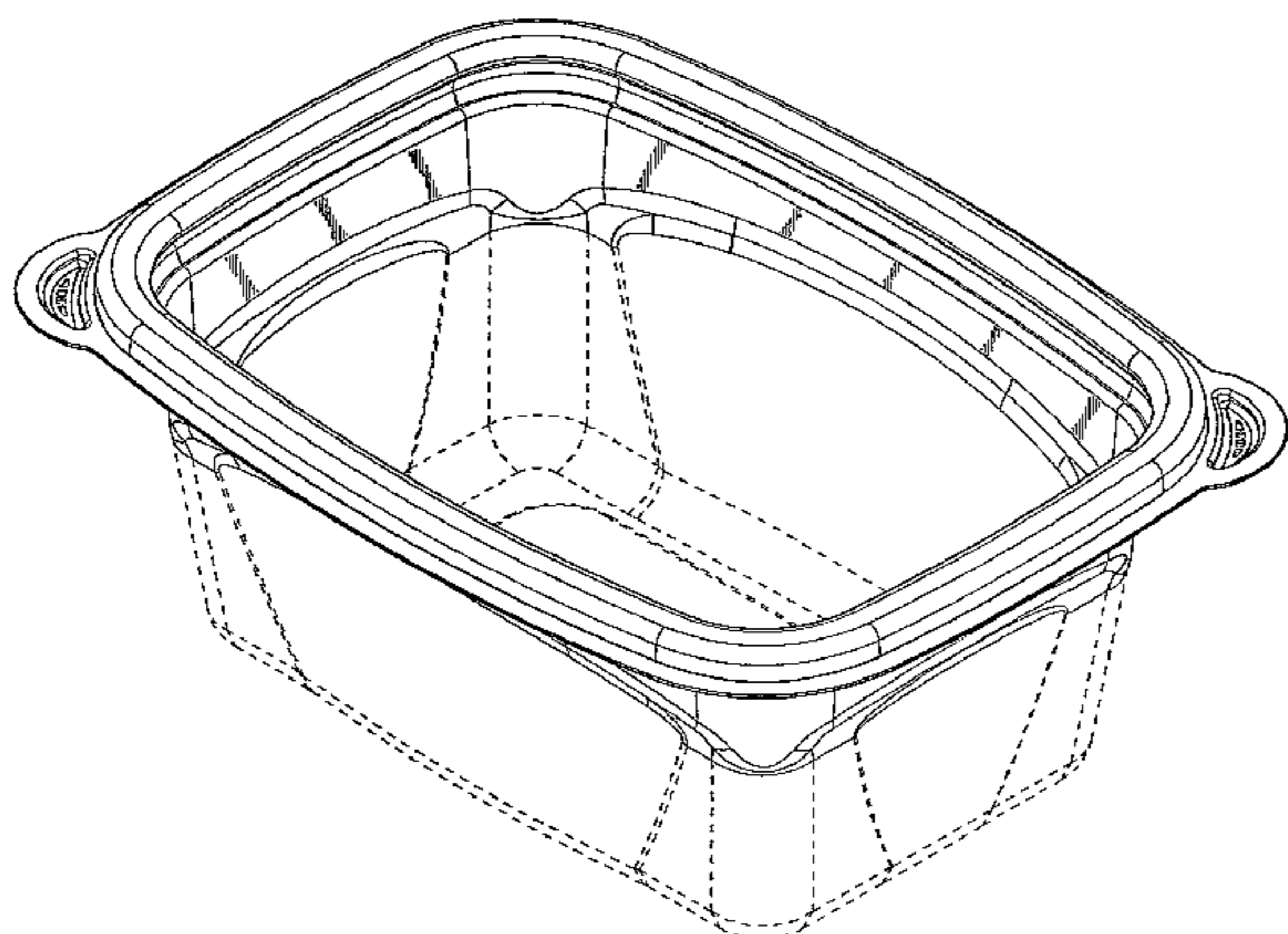
(57) **CLAIM**

The ornamental design for a container, as shown and described.

DESCRIPTION

FIG. 1 is a top isometric view of embodiment one, of a container, showing our new design.
 FIG. 2 is a side elevation view thereof, the opposite side elevation view being the same.
 FIG. 3 is a top plan view thereof.
 FIG. 4 is a front elevation view thereof, the rear elevation view being the same.
 FIG. 5 is a bottom plan view thereof.
 FIG. 6 is a top isometric view of embodiment two, of a container, showing our new design.
 FIG. 7 is a side elevation view thereof, the opposite side elevation view being the same.
 FIG. 8 is a top plan view thereof.
 FIG. 9 is a front elevation view thereof, the rear elevation view being the same; and,
 FIG. 10 is a bottom plan view thereof.
 The broken lines in the figures illustrate the portions of the design that form no part of the claimed design.

1 Claim, 4 Drawing Sheets



(56)

References Cited

U.S. PATENT DOCUMENTS

8,523,006	B2	9/2013	Barbier	
D696,938	S *	1/2014	BeVier	D7/602
8,851,287	B2	10/2014	Becklin	
D717,120	S *	11/2014	Carlson	D7/602
D717,161	S *	11/2014	Liu	D9/426
2008/0116098	A1	5/2008	Marooflan et al.	
2012/0006837	A1	1/2012	Becklin	
2012/0168449	A1	7/2012	Barbier	

* cited by examiner

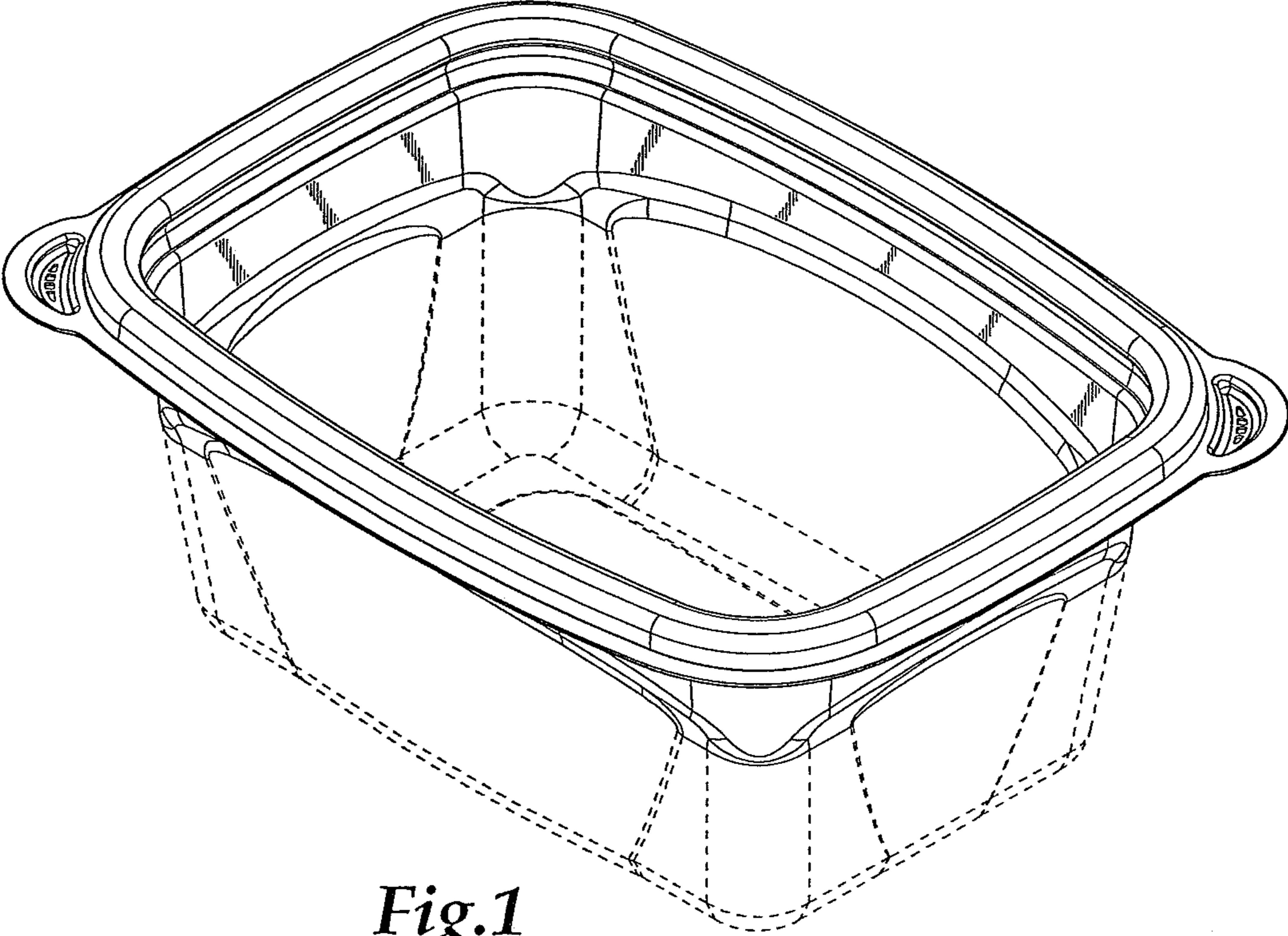


Fig.1

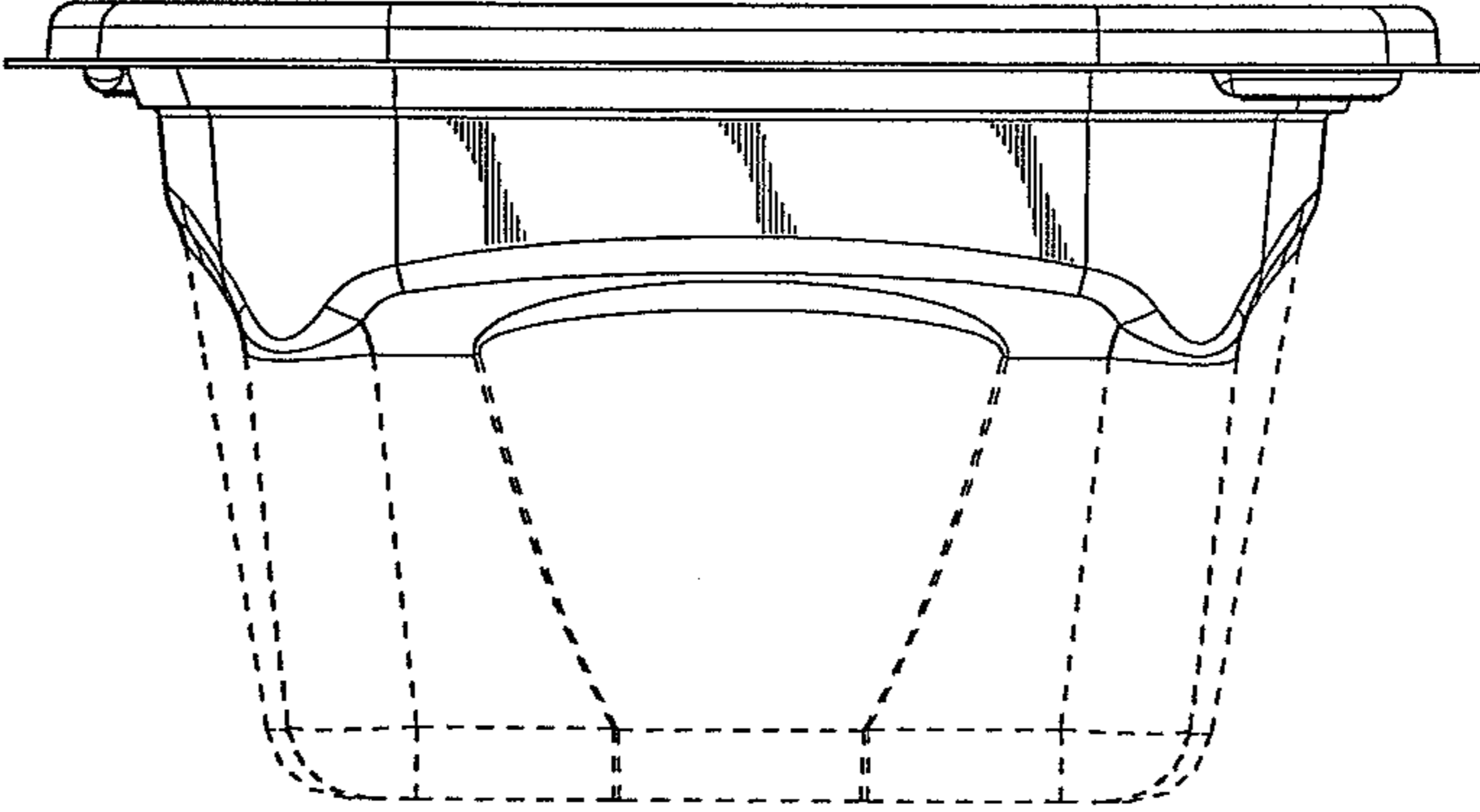


Fig.2

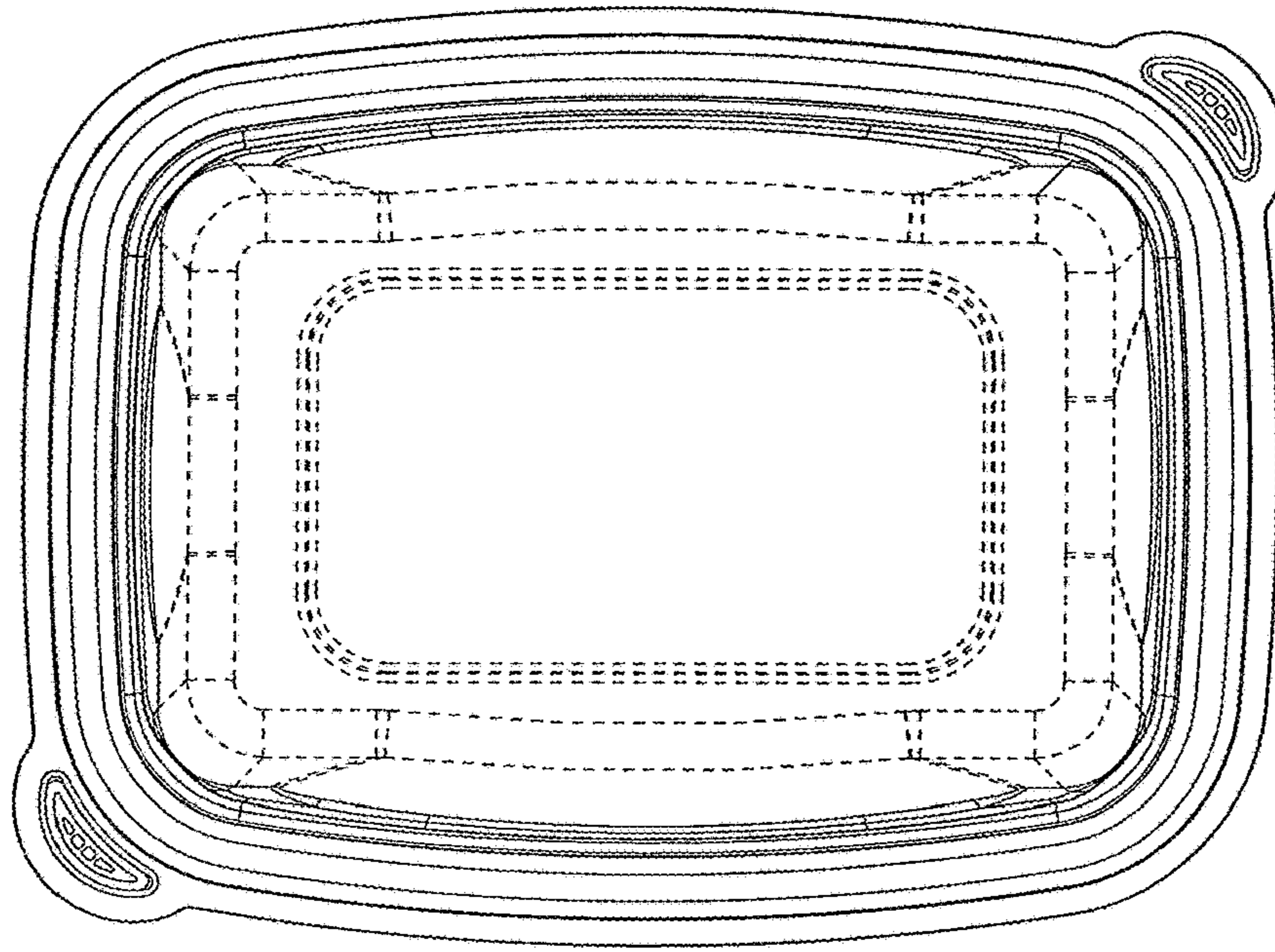


Fig.3

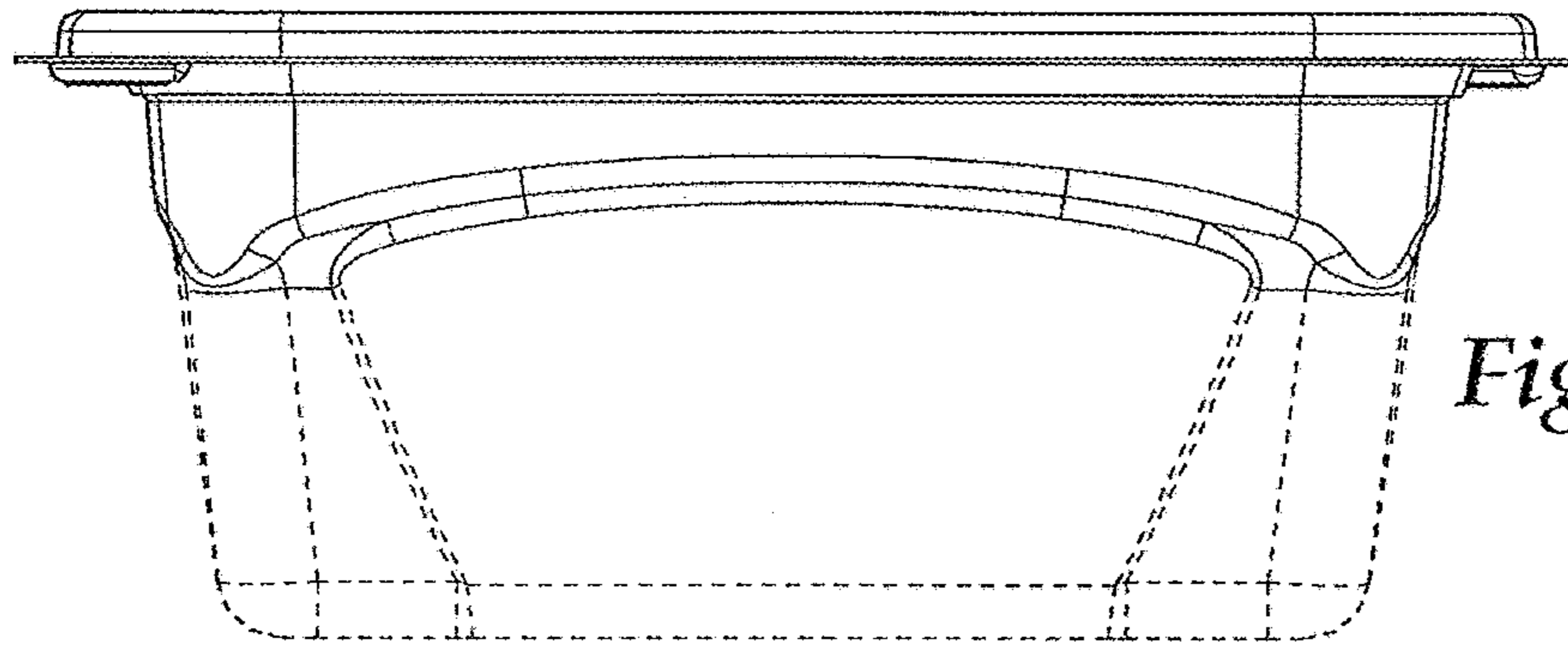


Fig.4

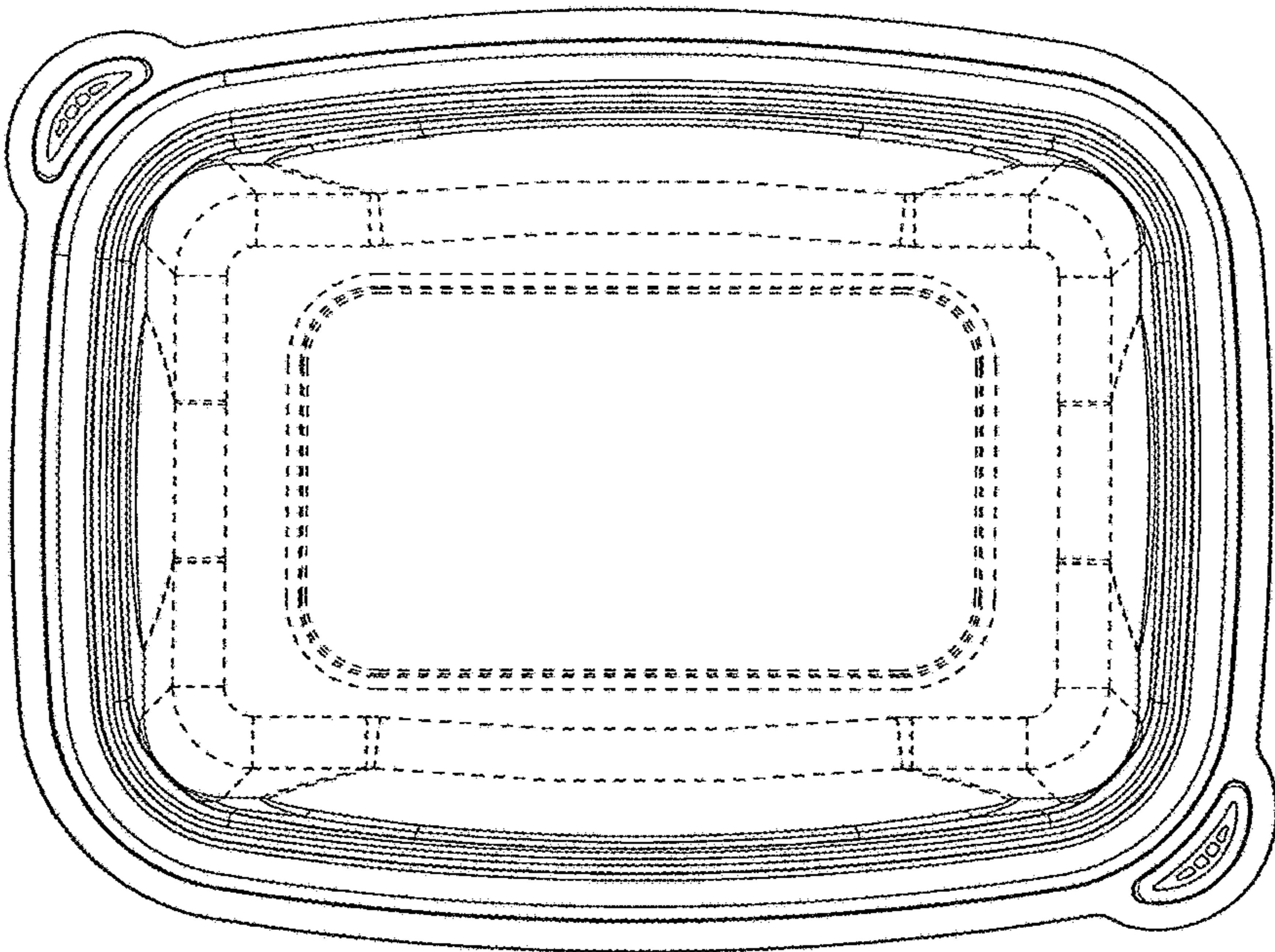
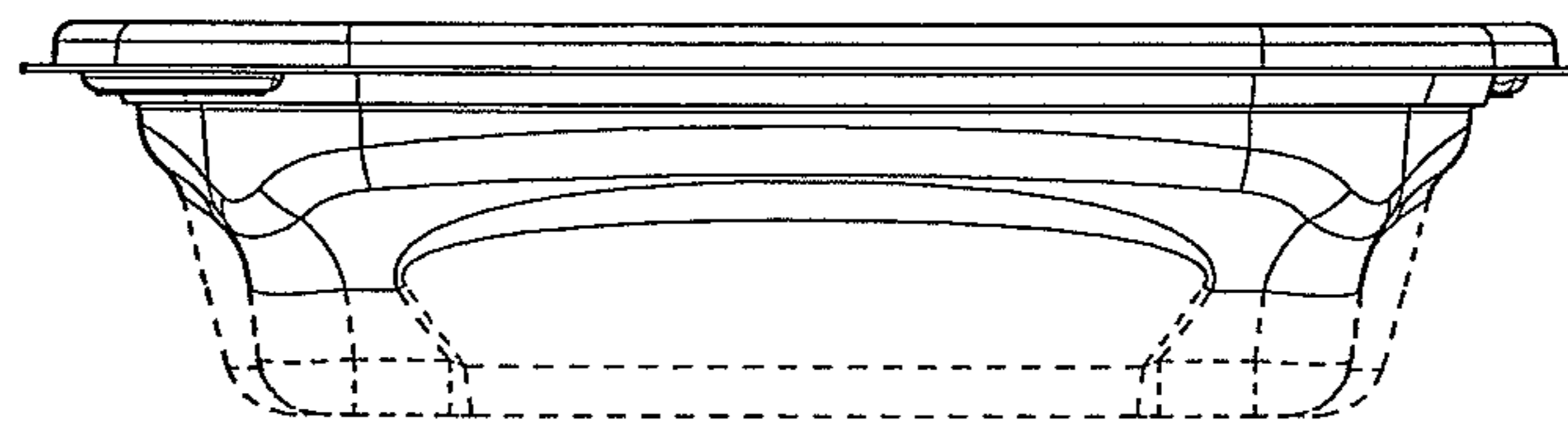
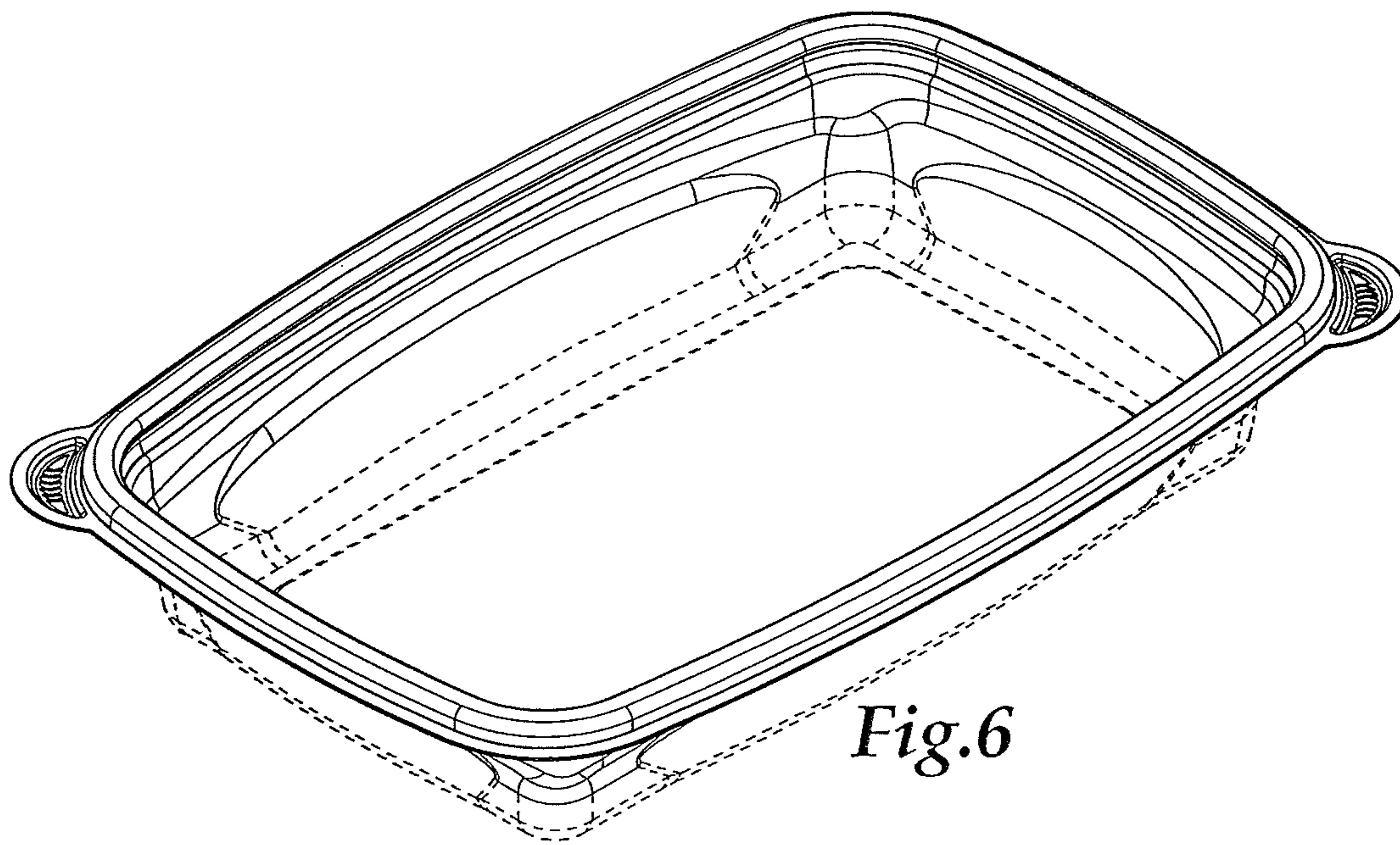


Fig.5



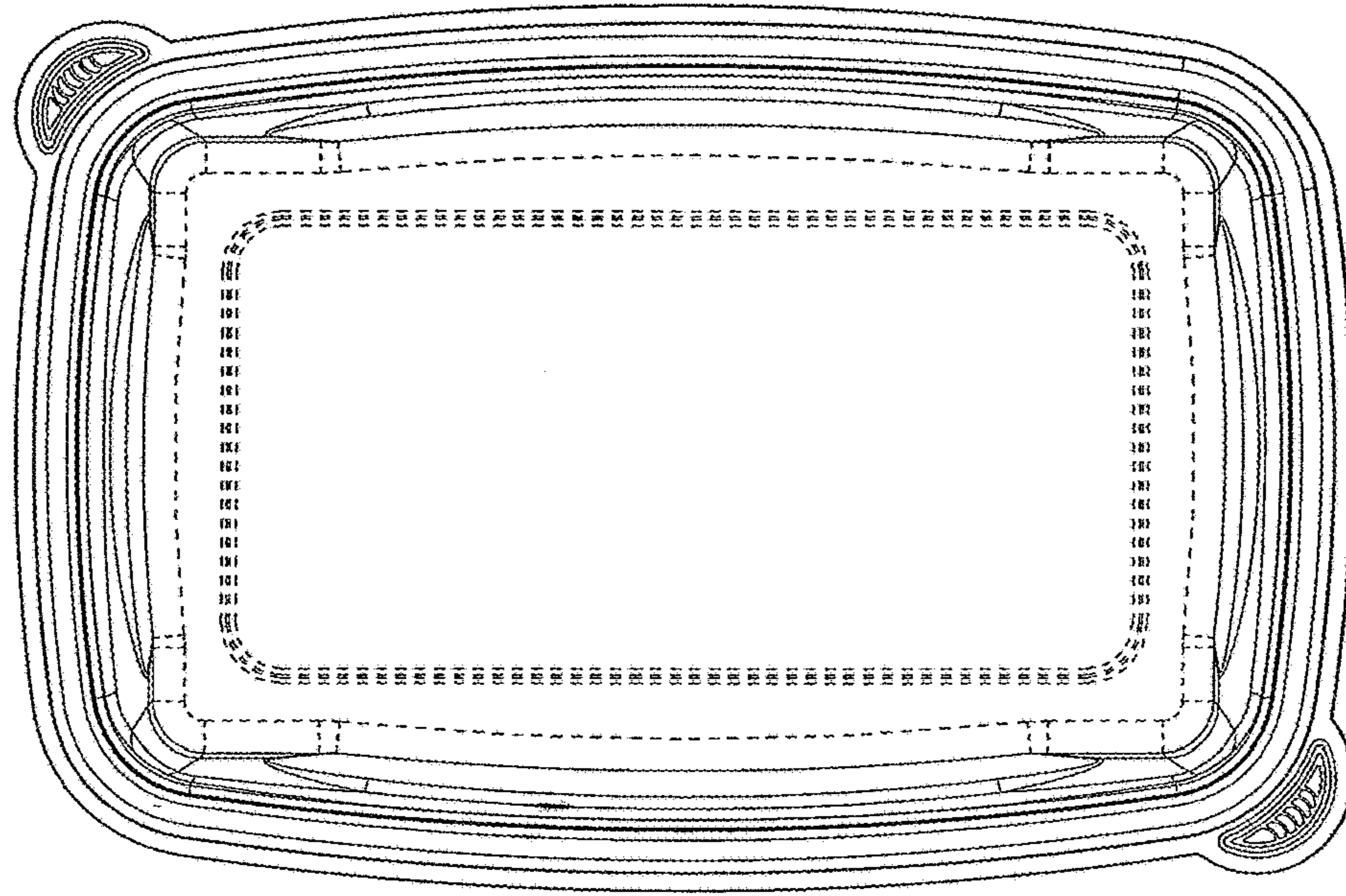


Fig. 8

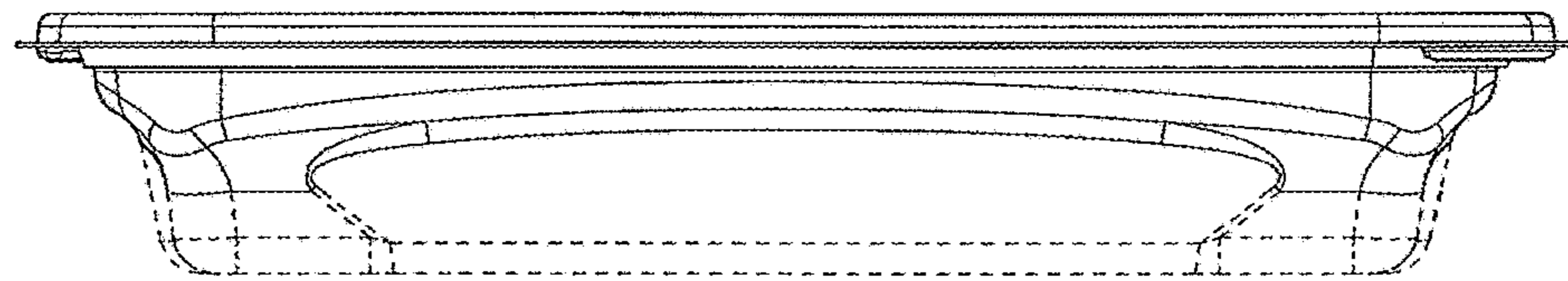


Fig. 9

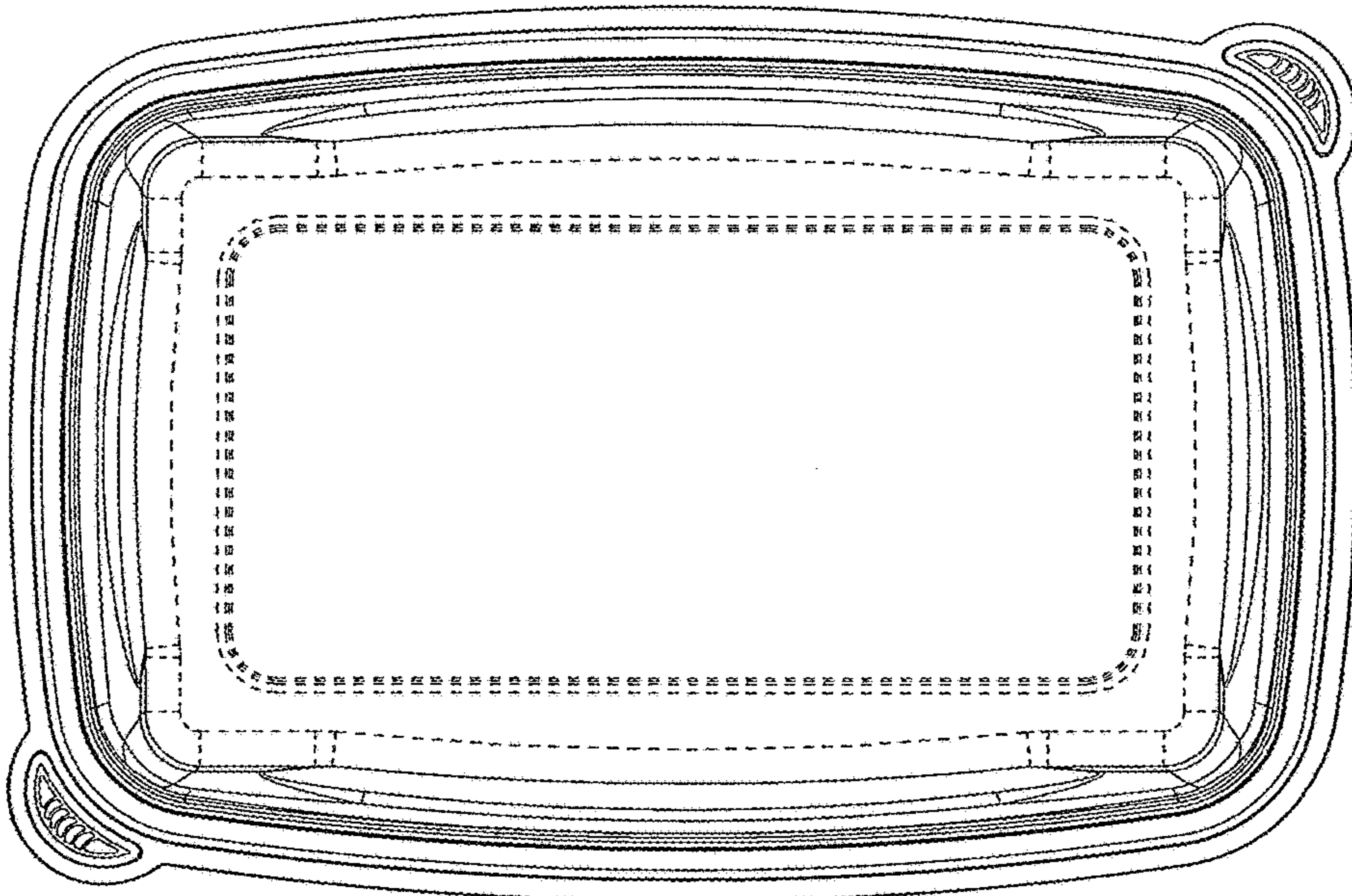


Fig. 10