



US00D827425S

(12) **United States Design Patent** (10) **Patent No.:** **US D827,425 S**
Bercaw et al. (45) **Date of Patent:** **** Sep. 4, 2018**

(54) **BATH PRODUCT PACKAGING**
(71) Applicant: **DA BOMB LLC**, Oakdale, MN (US)
(72) Inventors: **Isabel R Bercaw**, Edina, MN (US);
Caroline F Bercaw, Edina, MN (US);
Benjamin T Bercaw, Edina, MN (US);
Kimberly D Bercaw, Edina, MN (US)
(73) Assignee: **DA BOMB, LLC**, Edina, MN (US)
(**) Term: **15 Years**
(21) Appl. No.: **29/570,360**
(22) Filed: **Aug. 10, 2016**
(51) **LOC (11) Cl.** **09-03**
(52) **U.S. Cl.**
USPC **D9/418**
(58) **Field of Classification Search**
USPC D9/414-415, 418, 423-425, 709, 723,
D9/730, 733; D3/200, 201, 203.2, 264,
D3/294, 901; D14/204; D24/104;
D6/407; D28/82, 85, 227; 206/298, 385,
206/461-471
CPC .. B65D 75/36; B65D 51/1611; B65D 77/042;
B65D 43/161; G11B 33/0422
See application file for complete search history.

(56) **References Cited**
U.S. PATENT DOCUMENTS
D154,431 S * 7/1949 Reinecke D9/426
D190,394 S * 5/1961 Robinson 206/461
3,713,412 A * 1/1973 Ianuzzi B63G 8/00
114/312
4,224,364 A * 9/1980 Hunt A47G 33/08
40/617
D272,128 S * 1/1984 Parmentier D15/90
5,063,057 A * 11/1991 Spellman A61J 1/067
206/528

D335,085 S * 4/1993 Wacker D7/538
D349,976 S * 8/1994 Connell D28/76
D356,889 S * 4/1995 Abrams D3/264
D357,115 S * 4/1995 Abrams D3/264
D357,803 S * 5/1995 Abrams D3/264
D358,025 S * 5/1995 Martin D3/264
D358,026 S * 5/1995 Abrams D3/264
D358,028 S * 5/1995 Abrams D3/264
D358,479 S * 5/1995 Abrams D3/264
D358,481 S * 5/1995 Abrams D3/264
D362,961 S * 10/1995 Abrams D3/264
5,515,964 A * 5/1996 Bauman A45C 11/005
206/210
D371,071 S * 6/1996 Ford D9/415
5,722,553 A * 3/1998 Hovatter B01L 3/5021
220/23.8
D401,762 S * 12/1998 Abrams D3/264
D427,426 S * 7/2000 Anguita D24/115

(Continued)

Primary Examiner — Barbara Fox
Assistant Examiner — Mehri F Bajoul
(74) *Attorney, Agent, or Firm* — Wesley W. Malherek;
Kelly, Holt & Christenson, PLLC

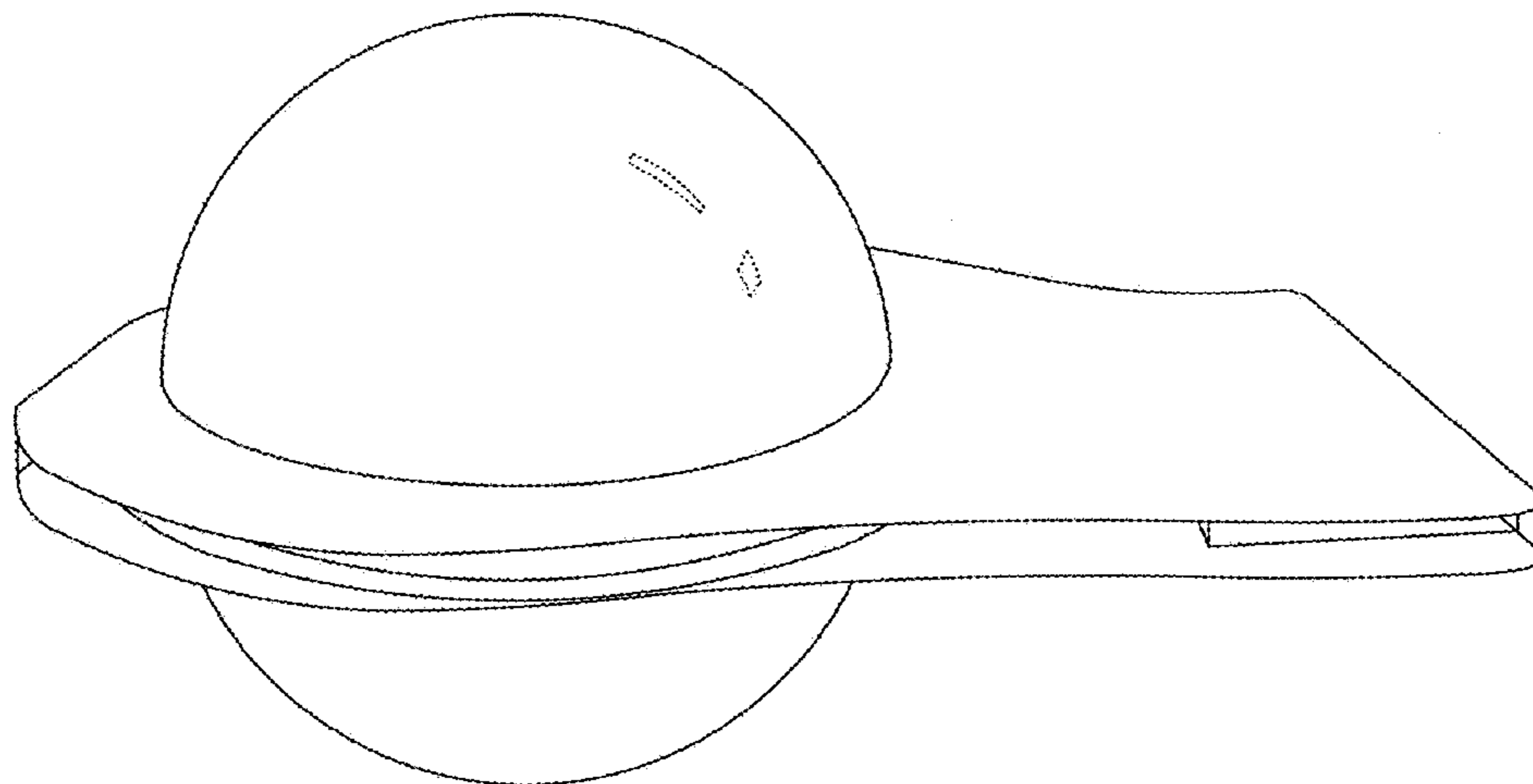
(57) **CLAIM**

The ornamental design for a bath product packaging, as shown and described.

DESCRIPTION

FIG. 1 is a top plan view of a bath product packaging showing the new design;
FIG. 2 is a left side perspective view thereof;
FIG. 3 is a bottom plan view thereof;
FIG. 4 is a front perspective view thereof;
FIG. 5 is a right side perspective view thereof;
FIG. 6 is rear perspective view thereof; and,
FIG. 7 is an exploded perspective view thereof.
The broken lines shown in the drawings depict portions of the bath product packaging that form no part of the claimed design.

1 Claim, 7 Drawing Sheets



(56)

References Cited

U.S. PATENT DOCUMENTS

6,102,209 A * 8/2000 D'Andrea A45D 40/0068
 206/581
 D435,966 S * 1/2001 Duis D3/264
 D436,532 S * 1/2001 Richardson D24/104
 D458,023 S * 6/2002 Dzwil A45C 11/005
 D3/264
 D471,356 S * 3/2003 Eaton D3/263
 D472,803 S * 4/2003 Saunders D9/423
 D475,288 S * 6/2003 Hoffmann D9/426
 D493,105 S * 7/2004 Childs D9/416
 D511,893 S * 11/2005 Chou D3/263
 D512,217 S * 12/2005 Chou D3/263
 D517,906 S * 3/2006 Chang D9/415
 D517,908 S * 3/2006 Kent D9/415
 D520,236 S * 5/2006 Nakagawa D3/263
 D520,867 S * 5/2006 Chang D9/415
 D536,611 S * 2/2007 Peck D9/428
 D550,077 S * 9/2007 Lagreca D9/428
 D584,607 S * 1/2009 Ajootian D9/415
 D618,547 S * 6/2010 Manning D9/425
 D638,884 S * 5/2011 Shoemaker, Jr. D21/386
 D645,339 S * 9/2011 Oakes D9/420
 D651,096 S * 12/2011 Nakagiri D7/400
 D658,372 S * 5/2012 van der Lande D3/264

8,210,538 B2 * 7/2012 Shoemaker, Jr. A63F 9/30
 273/148 R
 D678,759 S * 3/2013 Gottschalk D9/415
 D679,805 S * 4/2013 Keller D24/115
 D682,669 S * 5/2013 Gottschalk D9/415
 D682,670 S * 5/2013 Gottschalk D9/415
 D685,652 S * 7/2013 English D9/732
 D688,041 S * 8/2013 Kroupa D3/264
 D692,759 S * 11/2013 Rapparini D9/428
 D693,625 S * 11/2013 Facey D7/354
 D697,399 S * 1/2014 Parmar D9/416
 D713,265 S * 9/2014 Cooper D11/121
 D734,665 S * 7/2015 Cahen D9/428
 D745,800 S * 12/2015 Exley D7/354
 D755,637 S * 5/2016 Wetton D9/428
 D760,036 S * 6/2016 Hucuptan D9/416
 D764,270 S * 8/2016 Paton D9/416
 D772,725 S * 11/2016 Sowden D9/732
 D795,059 S * 8/2017 Buck D9/428
 D796,317 S * 9/2017 Buck D9/428
 2004/0031701 A1 * 2/2004 Peck A45C 11/005
 206/5.1
 2006/0269700 A1 * 11/2006 Safer B44C 5/00
 428/11
 2015/0129437 A1 * 5/2015 Clamp A45C 11/005
 206/5.1

* cited by examiner

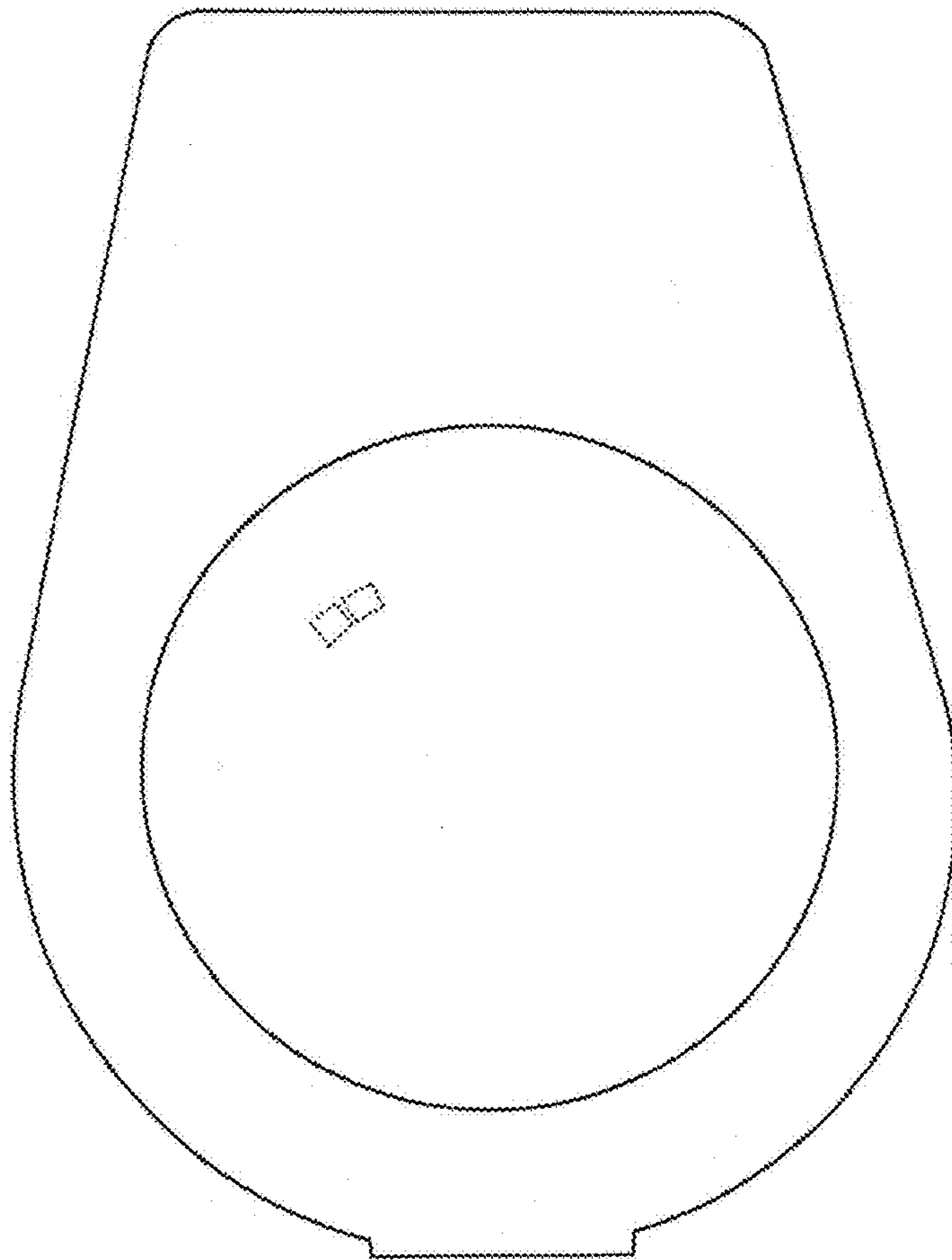


FIG. 1

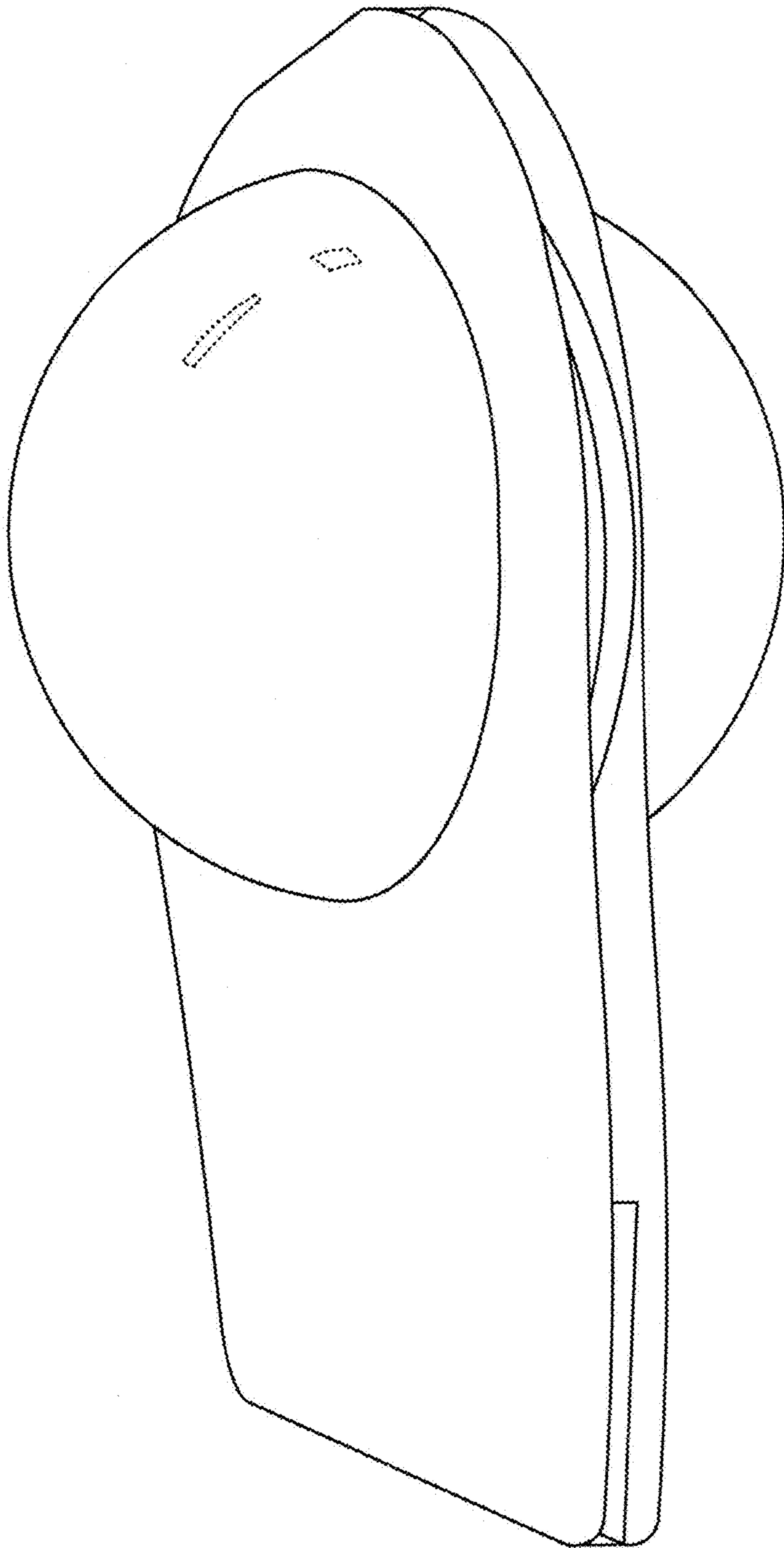


FIG. 2

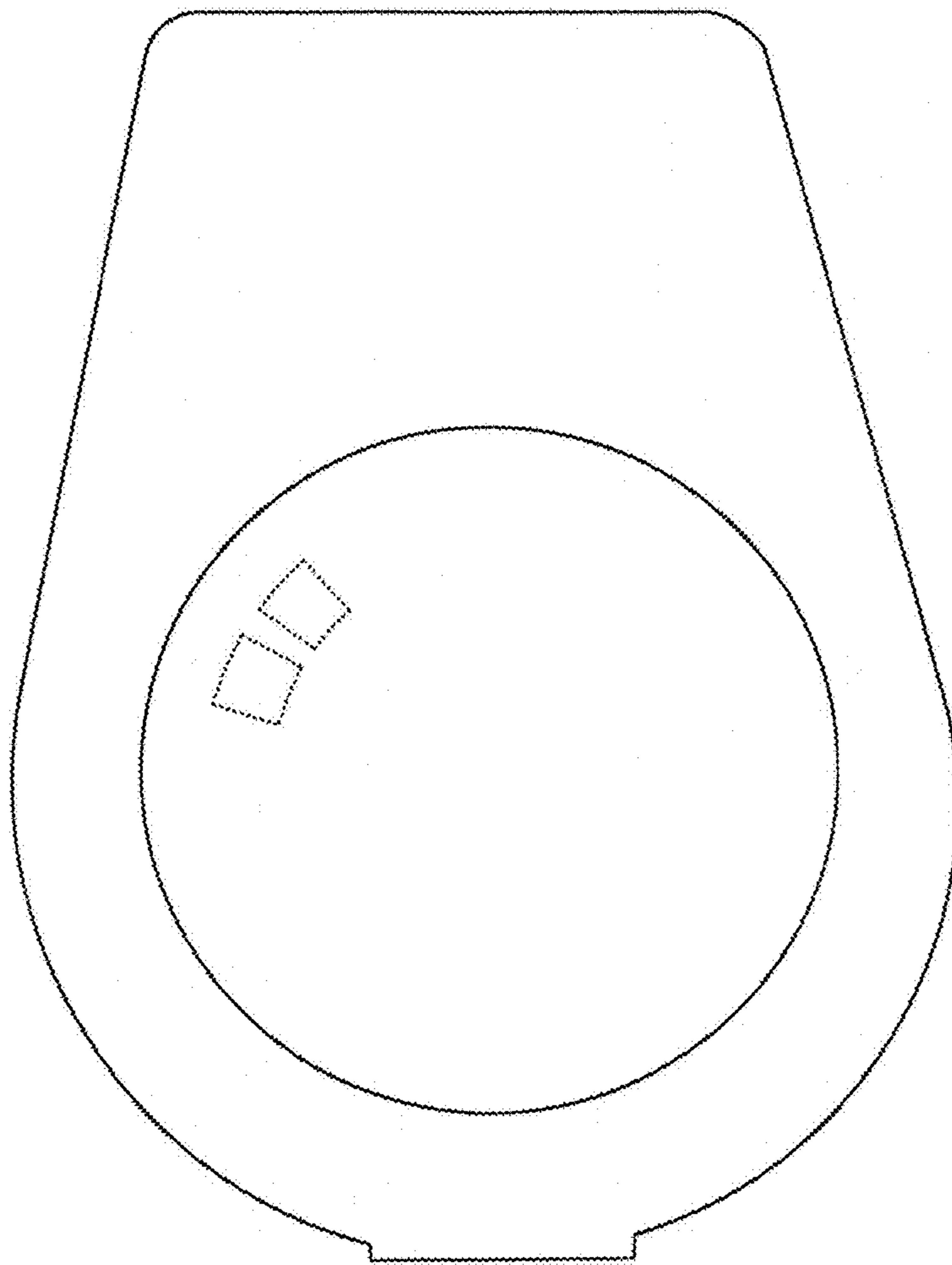


FIG. 3

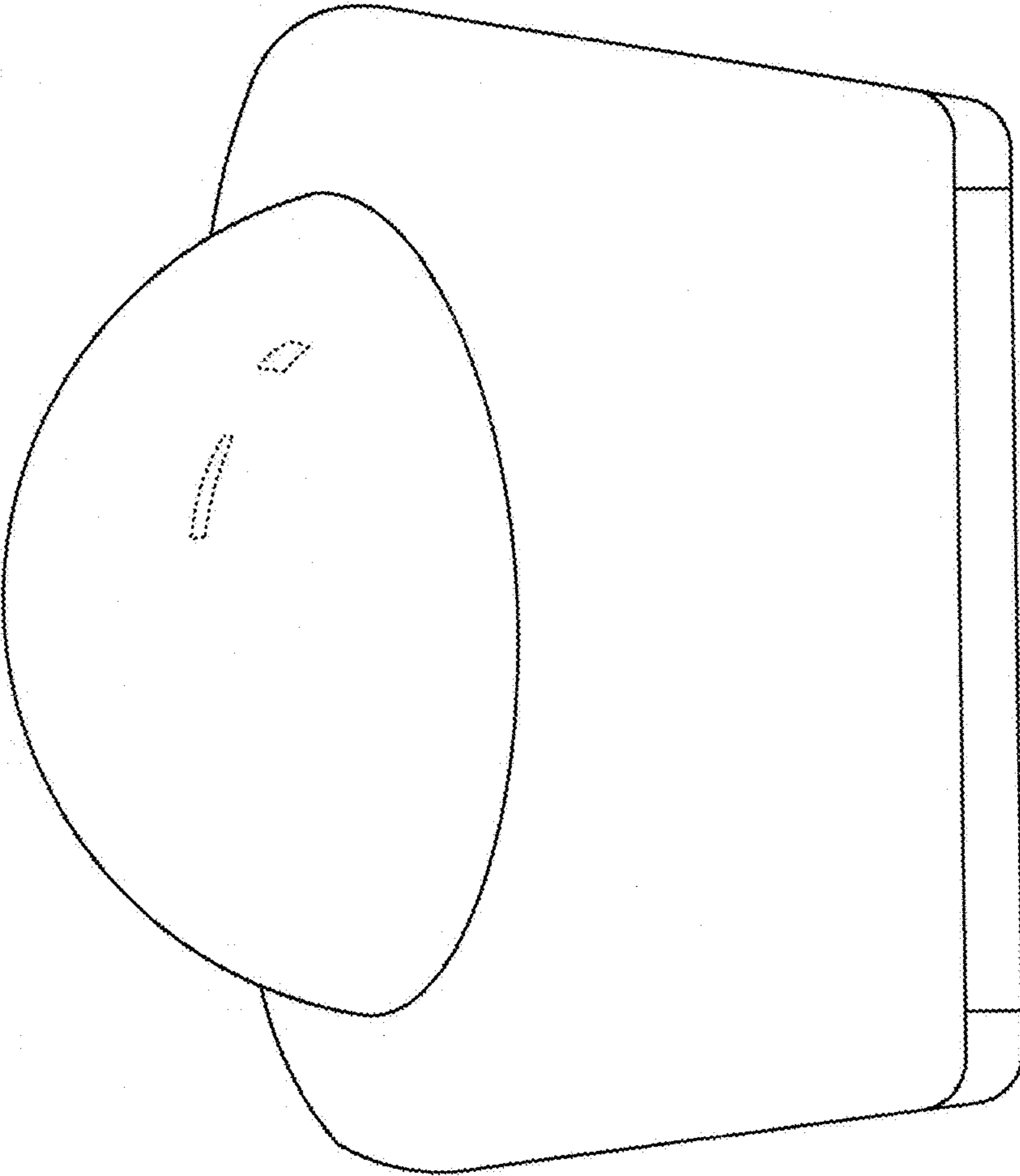


FIG. 4



FIG. 5

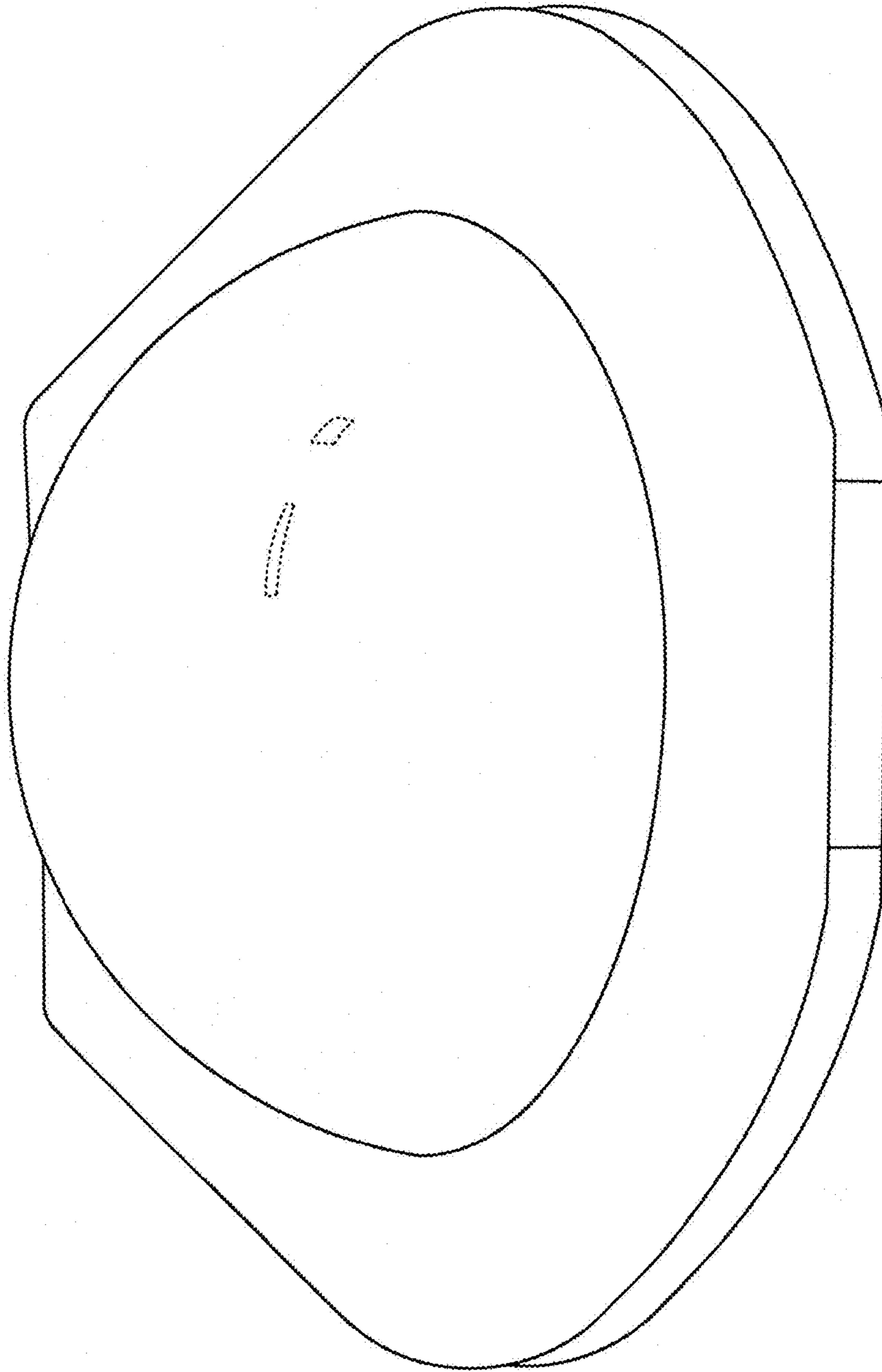


FIG. 6

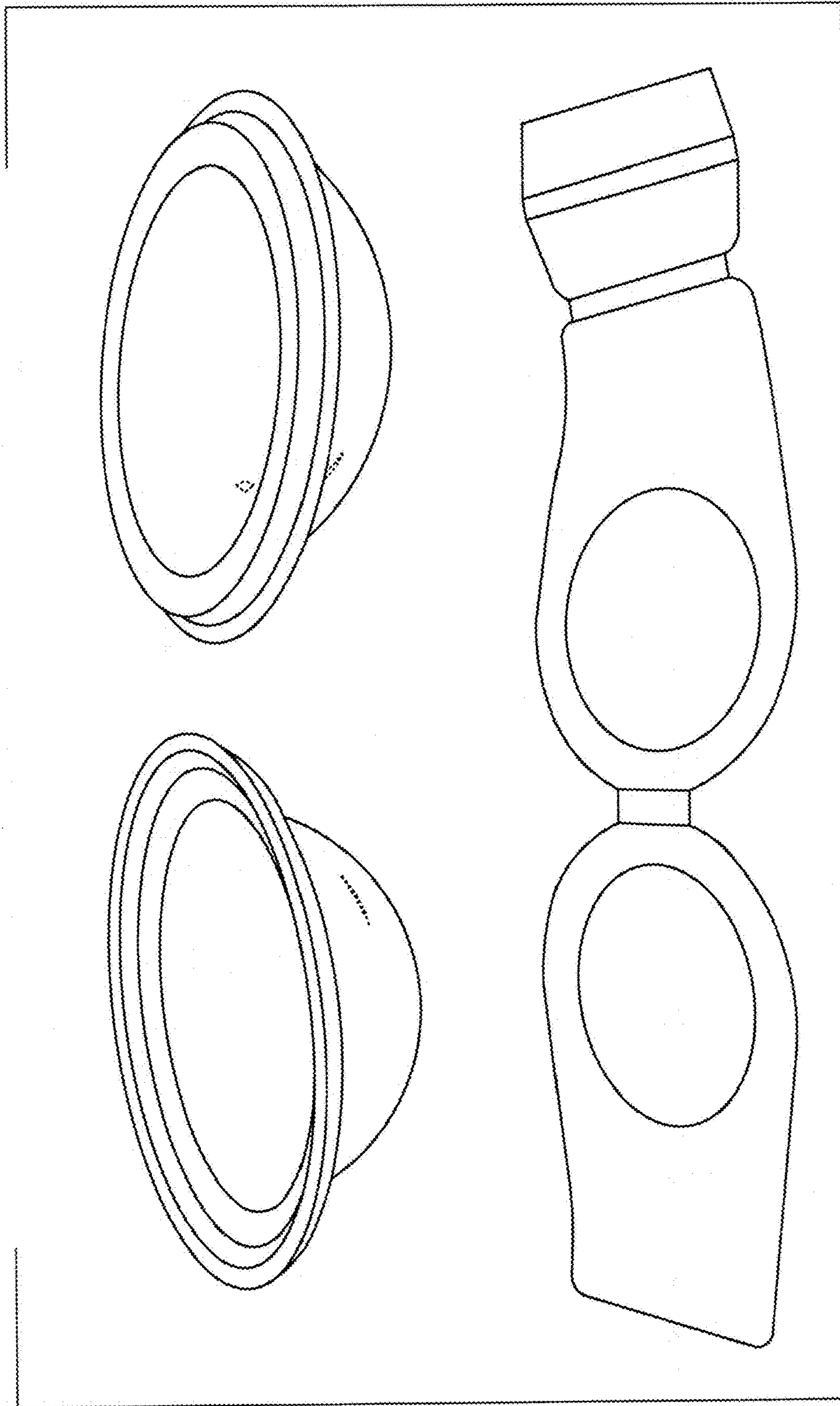


FIG. 7