



US00D827422S

(12) **United States Design Patent**
Kundig

(10) **Patent No.:** **US D827,422 S**

(45) **Date of Patent:** **** Sep. 4, 2018**

(54) **HOOK**
(71) Applicant: **Olson Kundig, Inc.**, Seattle, WA (US)
(72) Inventor: **Thomas Kundig**, Seattle, WA (US)
(73) Assignee: **OLSON KUNDIG, INC.**, Seattle, WA (US)
(**) Term: **15 Years**

D355,589	S	*	2/1995	Kuwata	D8/382
D450,566	S	*	11/2001	Gottwald	D6/323
D460,683	S	*	7/2002	Ou-Young	D6/323
D464,812	S	*	10/2002	Yen	D6/323
D472,060	S	*	3/2003	Hoernig	D6/323
D488,704	S	*	4/2004	Mercier	D8/354
D564,868	S	*	3/2008	Terada	D8/382
D609,515	S	*	2/2010	Krumpe	D6/524
D626,405	S	*	11/2010	Goad	D8/382
D658,045	S	*	4/2012	Tabler	D8/382
9,689,519	B2	*	6/2017	Hsiang	F16L 41/021
D792,197	S	*	7/2017	Kundig	D8/371
D794,421	S	*	8/2017	Moon	D8/349
2007/0114349	A1	*	5/2007	Lawson	A47G 25/0607 248/304

(21) Appl. No.: **29/564,619**
(22) Filed: **May 13, 2016**
(51) **LOC (11) Cl.** **08-08**
(52) **U.S. Cl.**
USPC **D8/382**; D6/323
(58) **Field of Classification Search**
USPC D8/349, 354, 382, 373, 367, 499;
D6/317, 323, 327, 328, 553
CPC A47G 25/0607; A47G 25/28; A47G 25/26;
A47G 25/32; A47G 25/746; A47G 25/06;
A47G 29/00
See application file for complete search history.

* cited by examiner

Primary Examiner — Sandra S Snapp
Assistant Examiner — Ieisha N Price
(74) *Attorney, Agent, or Firm* — Lane Powell, PC; Kevin Jablonski

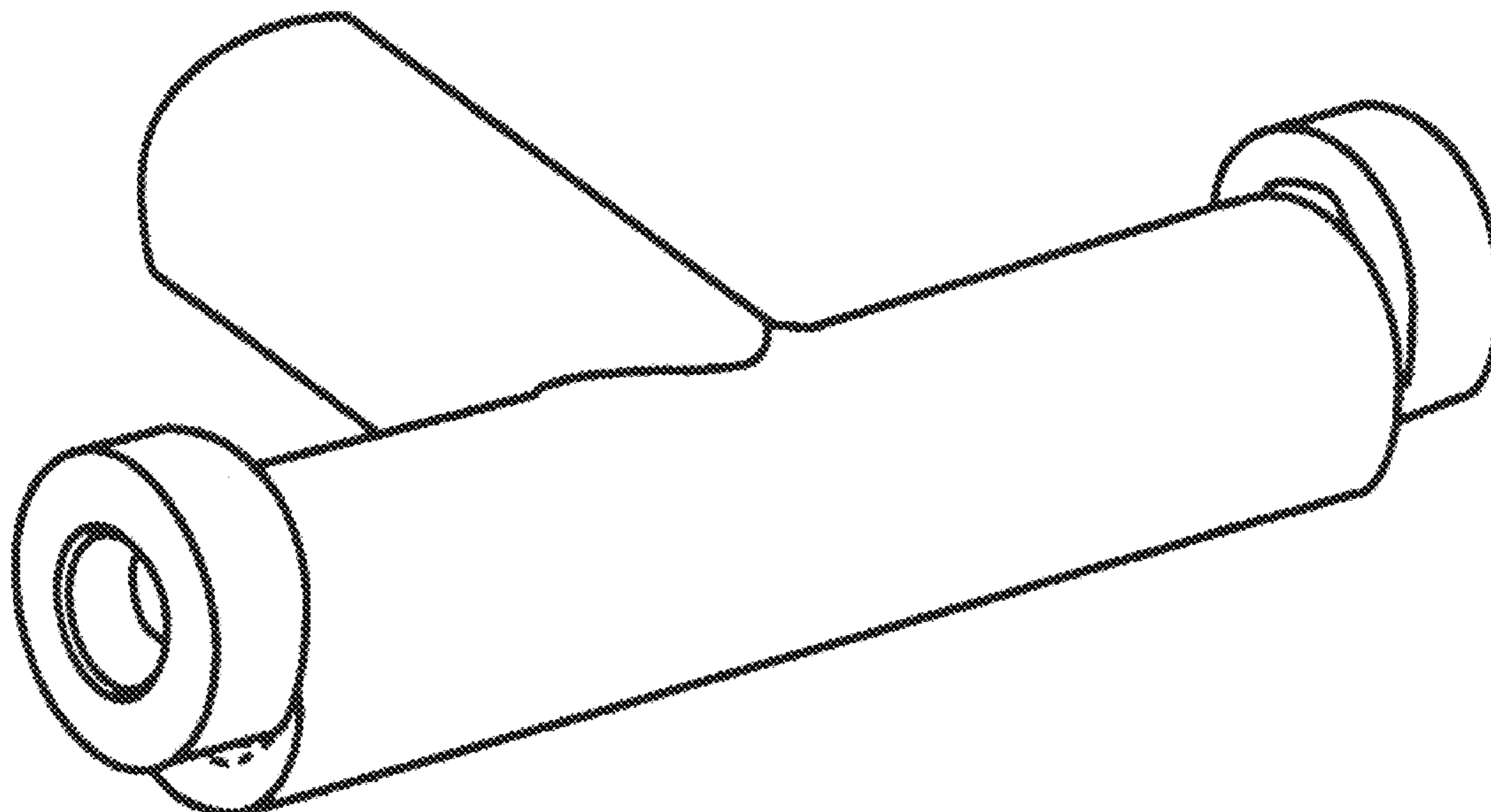
(57) **CLAIM**
The ornamental design for a hook, as shown and described.

DESCRIPTION

FIG. 1 is a front isometric view of the slip hook;
FIG. 2 is a front view thereof;
FIG. 3 is a back view thereof;
FIG. 4 is a top view thereof;
FIG. 5 is a bottom view thereof;
FIG. 6 is a left side view thereof; and,
FIG. 7 is a right side view thereof.
The broken lines in the drawings illustrate portions of the hook and form no part of the claimed design.

(56) **References Cited**
U.S. PATENT DOCUMENTS
D281,838 S * 12/1985 Thompson D6/323
D304,545 S * 11/1989 Hurrelbrink D6/323
D304,984 S * 12/1989 French D6/552
D316,664 S * 5/1991 Tull D12/317
5,150,980 A * 9/1992 Lin A47C 19/128
403/174

1 Claim, 2 Drawing Sheets



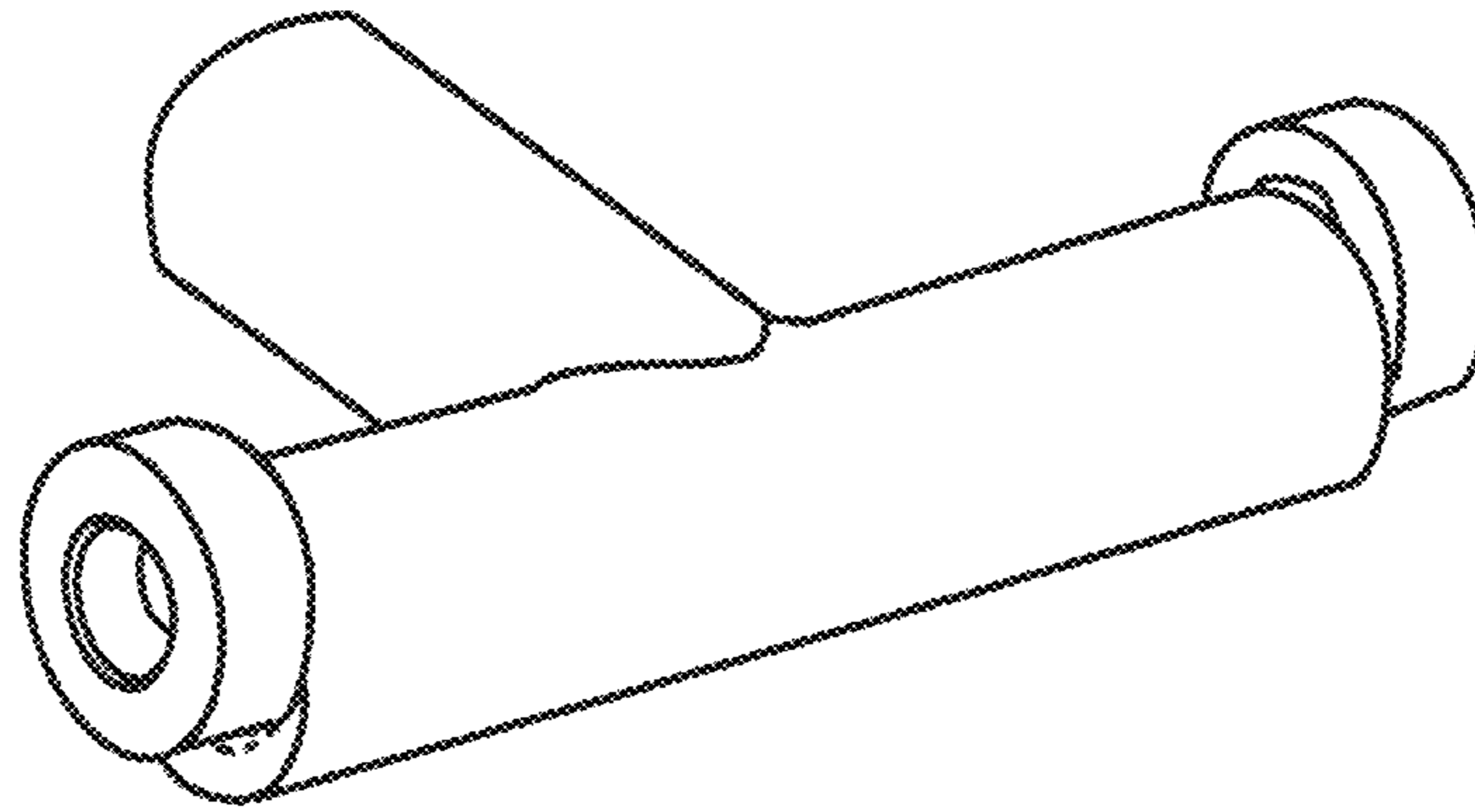


FIG. 1

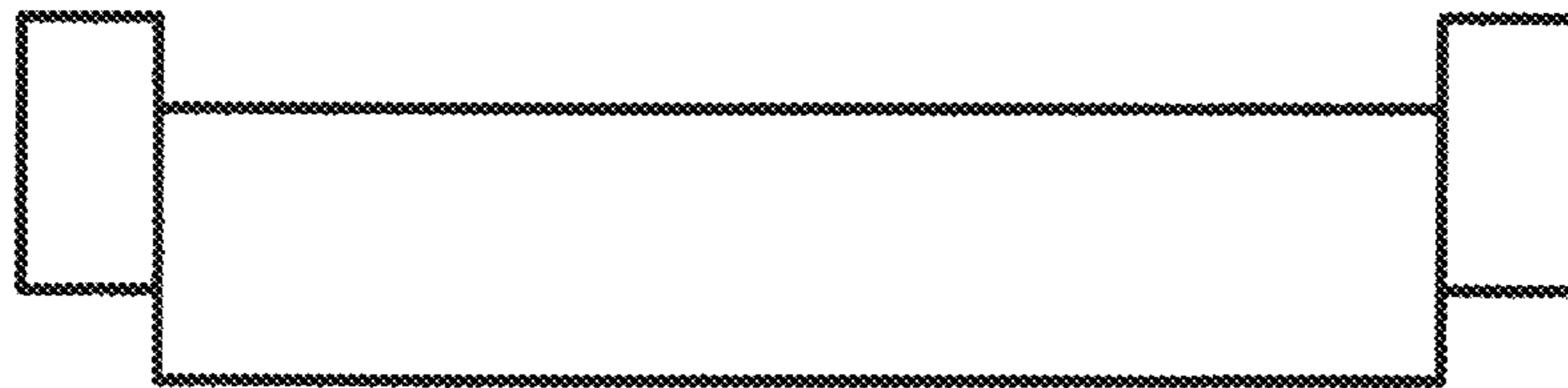


FIG. 2

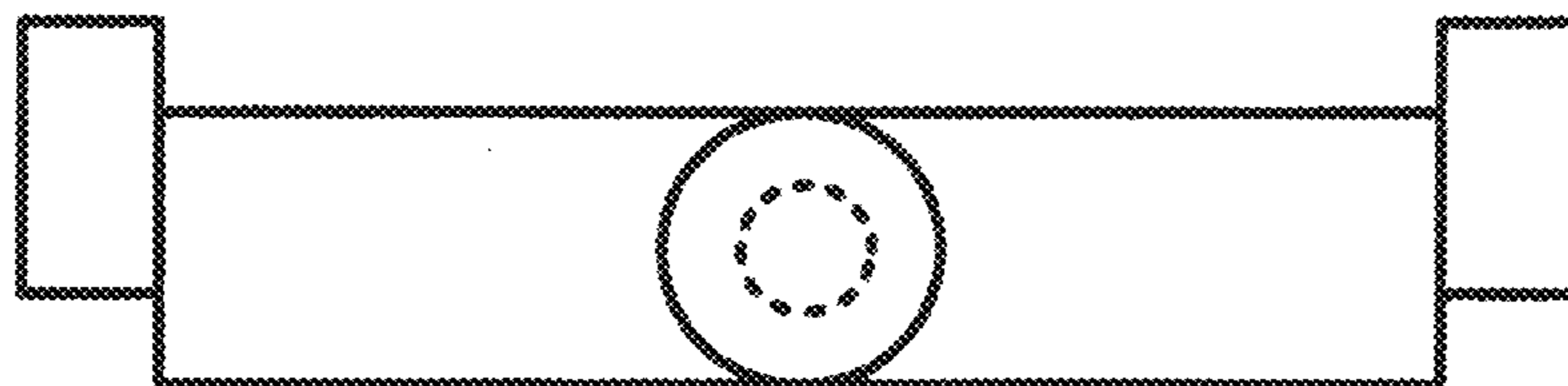


FIG. 3

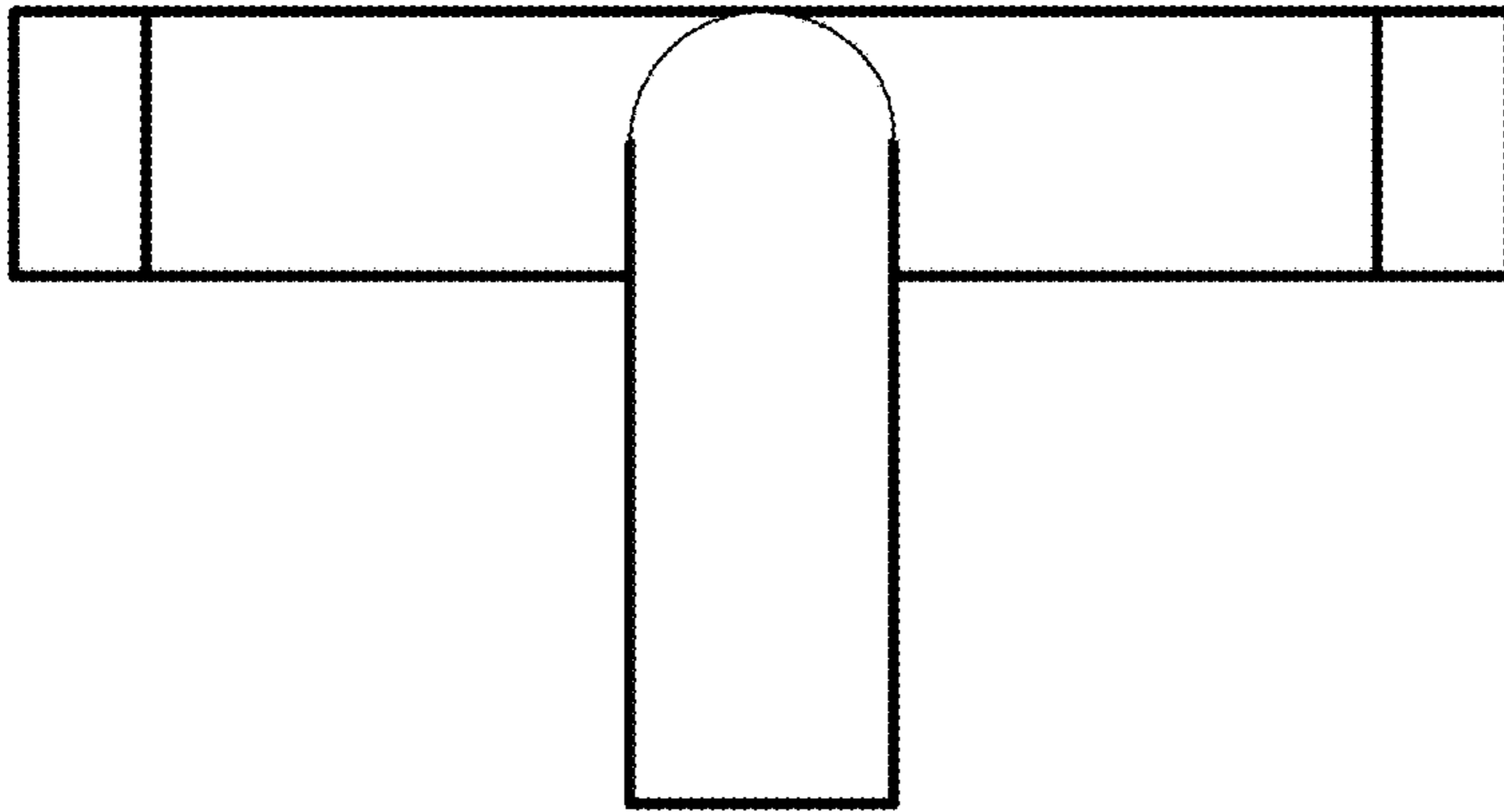


FIG. 4

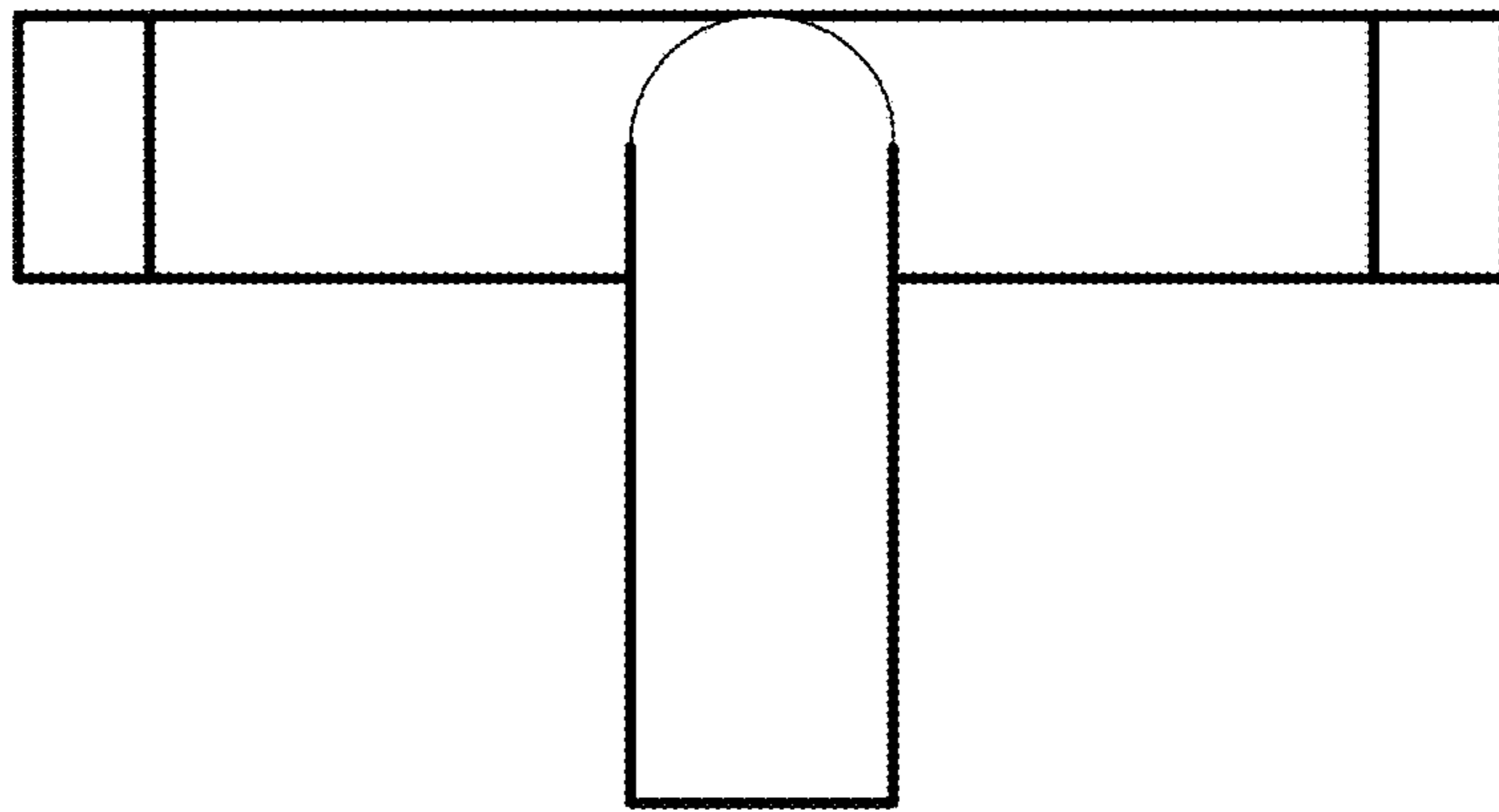


FIG. 5

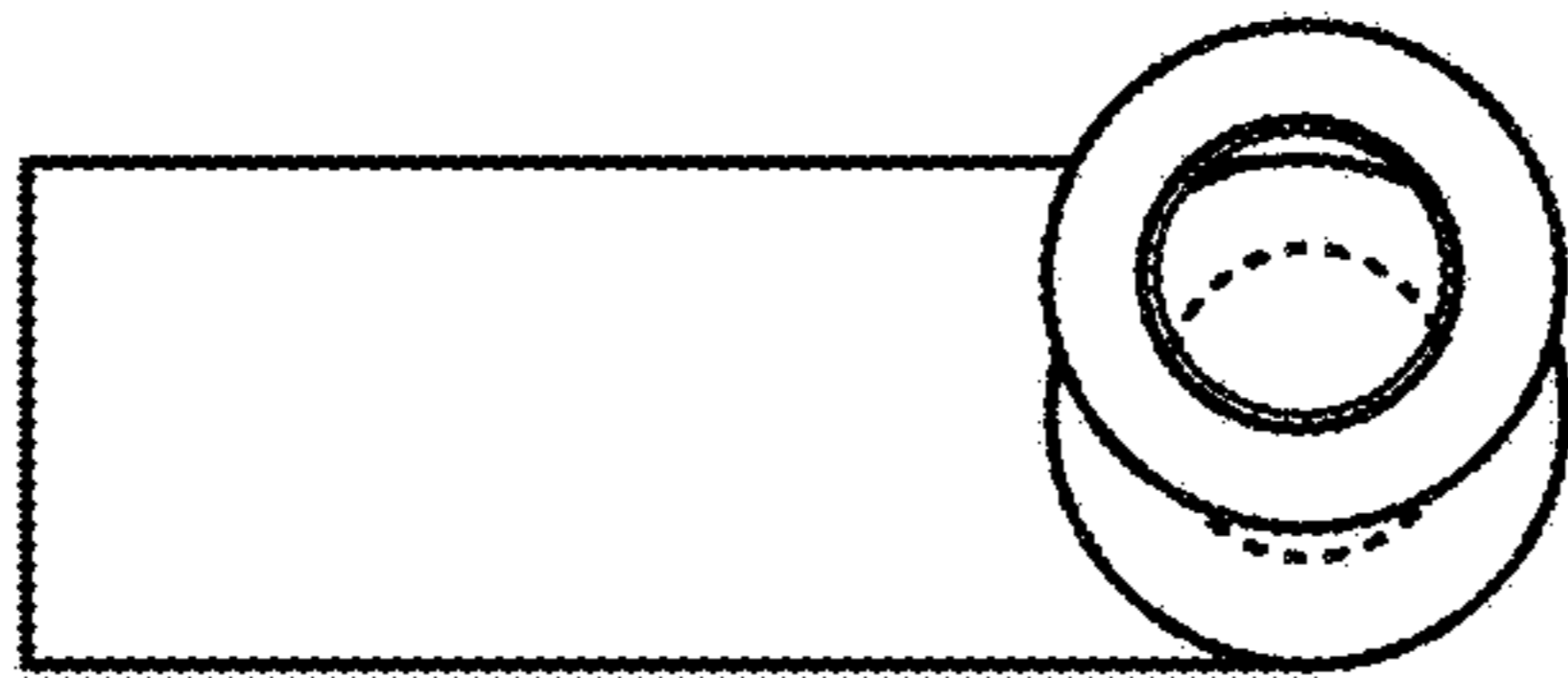


FIG. 6

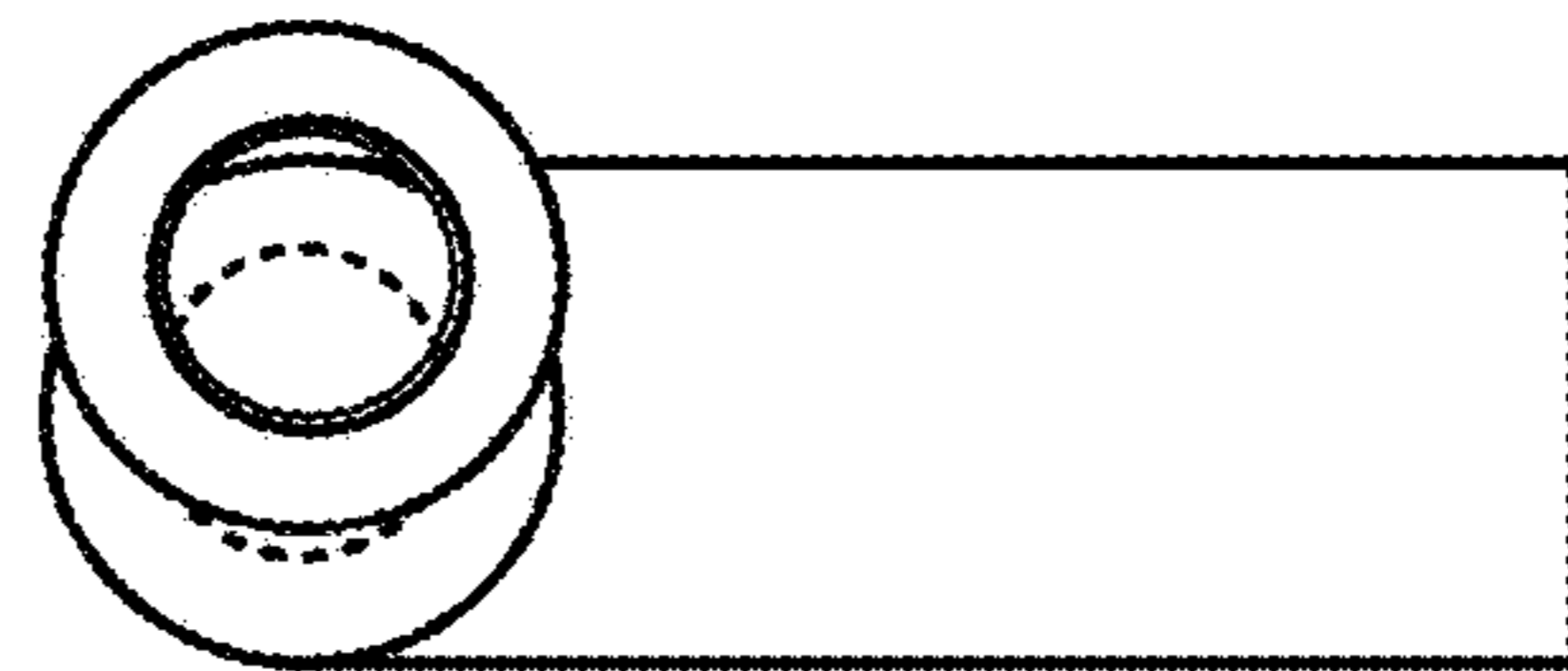


FIG. 7