



US00D827421S

(12) **United States Design Patent** (10) **Patent No.:** **US D827,421 S**
Le (45) **Date of Patent:** **** Sep. 4, 2018**

(54) **CAN SUPPORT FRAME**
(71) Applicant: **CAMBRO MANUFACTURING COMPANY**, Huntington Beach, CA (US)
(72) Inventor: **Johannes Le**, Huntington Beach, CA (US)
(73) Assignee: **Cambro Manufacturing Company**, Huntington Beach, CA (US)
(**) Term: **15 Years**
(21) Appl. No.: **29/587,540**
(22) Filed: **Dec. 14, 2016**
(51) **LOC (11) Cl.** **08-05**
(52) **U.S. Cl.**
USPC **D8/381**
(58) **Field of Classification Search**
USPC 211/87.01, 100, 105.1, 105.2, 181.1;
D6/515, 517, 512; D8/380, 381, 363,
D8/373, 366, 349
CPC A47F 1/087; A47F 1/04
See application file for complete search history.

(56) **References Cited**
U.S. PATENT DOCUMENTS
D168,431 S * 12/1952 Yellin D6/579
D380,113 S * 6/1997 Byrd D6/515
6,991,116 B2 * 1/2006 Johnson A47F 1/087
211/59.2
D563,127 S * 3/2008 Henry A47F 1/087
D6/515
D671,396 S * 11/2012 Funderburk A47B 96/061
D8/381
8,448,815 B2 * 5/2013 Sholl A47F 1/08
221/15

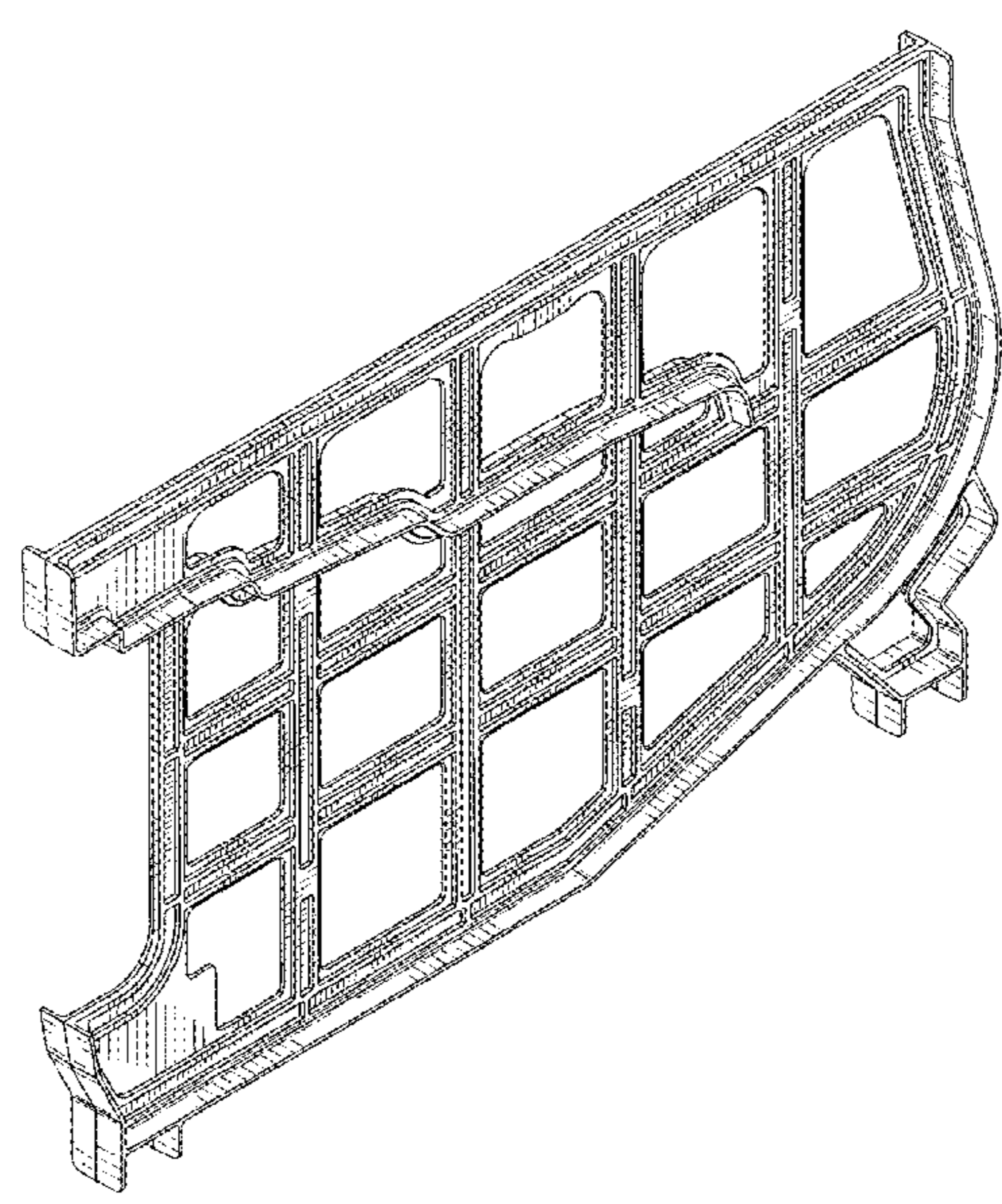
8,827,111 B2 * 9/2014 Johnson A47F 1/087
221/124
D785,056 S * 4/2017 Lee D15/89
2002/0033373 A1 * 3/2002 Robertson A47F 1/12
211/59.2
2002/0153706 A1 * 10/2002 Yonge A47F 5/10
280/651
2006/0226316 A1 * 10/2006 Sellers A47B 96/061
248/244
2006/0278591 A1 * 12/2006 Tippets A47F 1/087
211/59.2
2016/0058204 A1 * 3/2016 Bernard A47F 1/087
211/59.2
2016/0262554 A1 * 9/2016 Vitollo A47F 1/087
2017/0172313 A1 * 6/2017 Vitollo A47F 1/087

* cited by examiner
Primary Examiner — Brandon M Rosati
Assistant Examiner — Harold E Blackwell, II

(57) **CLAIM**
I claim the ornamental design for a can support frame, as shown and described.

DESCRIPTION
FIG. 1 is a right side perspective view of the can support frame
FIG. 2 is a left side perspective view thereof.
FIG. 3 is a right side elevation view thereof.
FIG. 4 is a top plan view thereof.
FIG. 5 is a bottom plan view thereof.
FIG. 6 is a front elevation view thereof.
FIG. 7 is a rear elevation view thereof.
FIG. 8 is a left side elevation view thereof; and,
FIG. 9 is a perspective view showing the can support frame and the broken line portions shown illustrate environmental subject matter only and form no part of the claimed design.

1 Claim, 5 Drawing Sheets



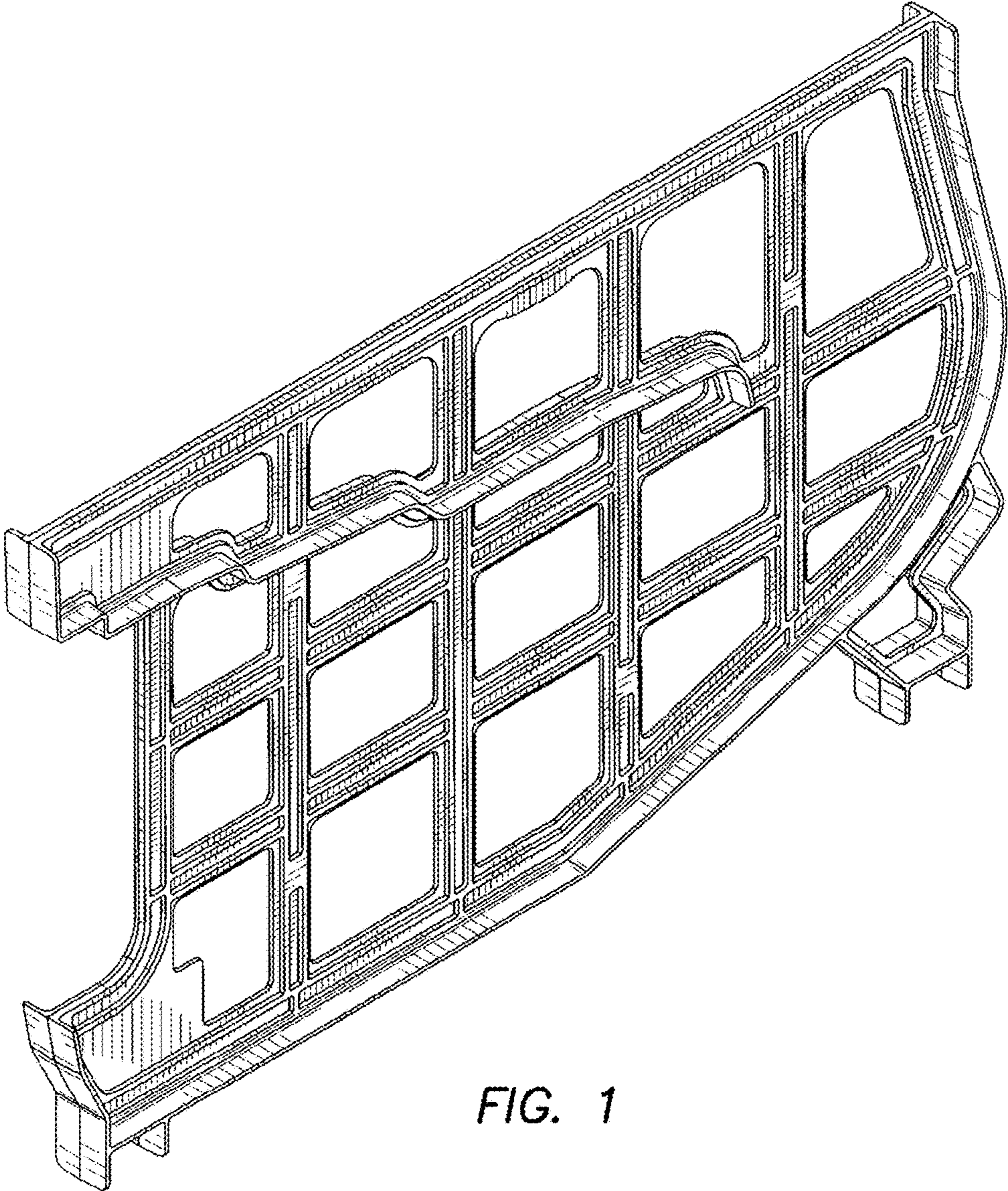


FIG. 1

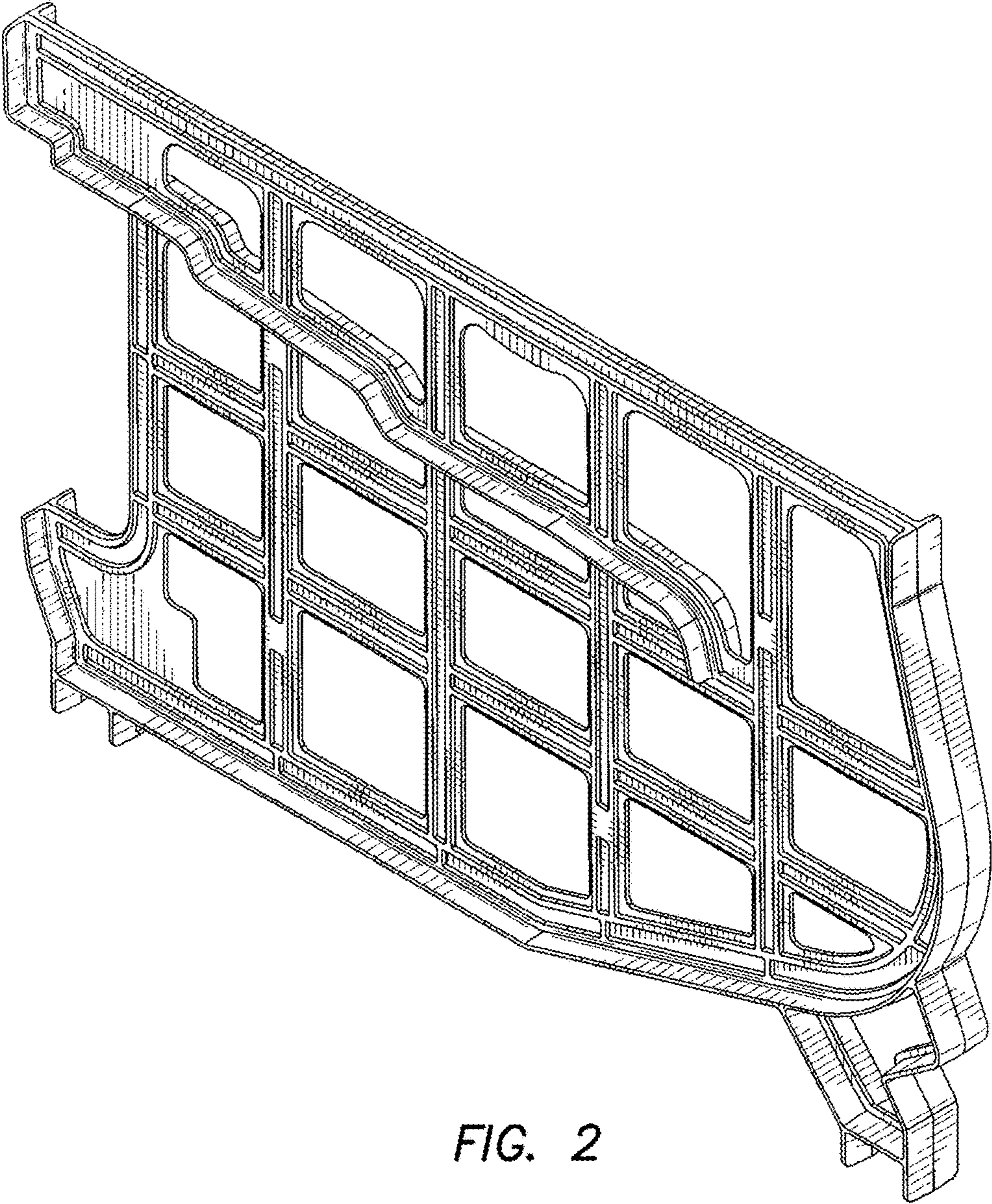


FIG. 2

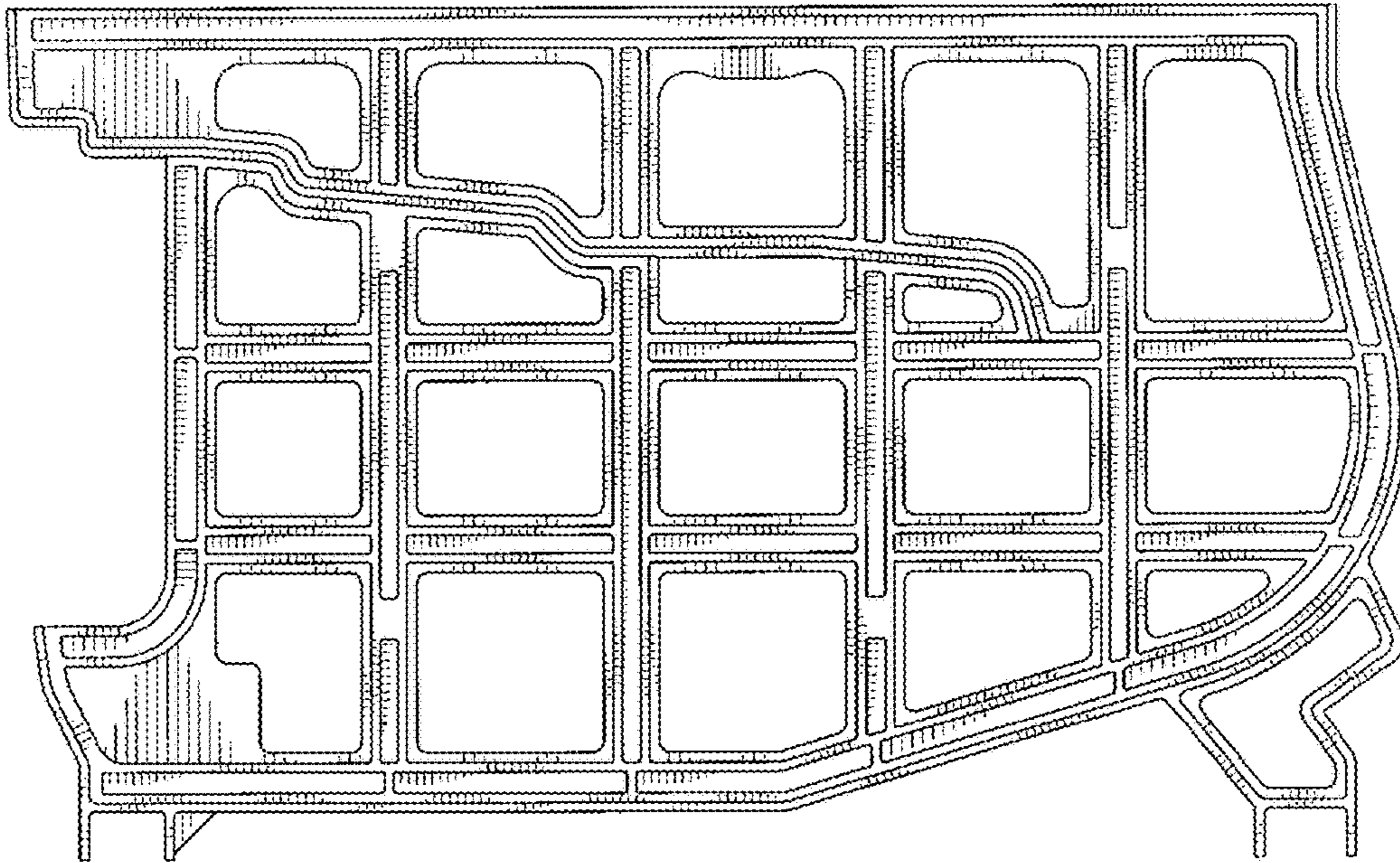


FIG. 3

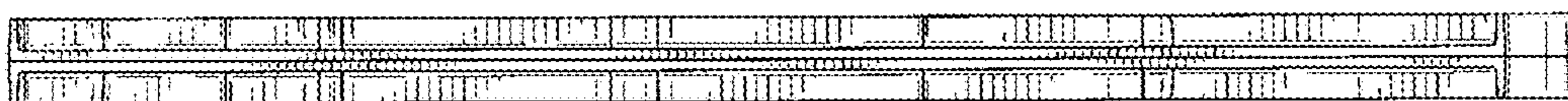


FIG. 4



FIG. 5

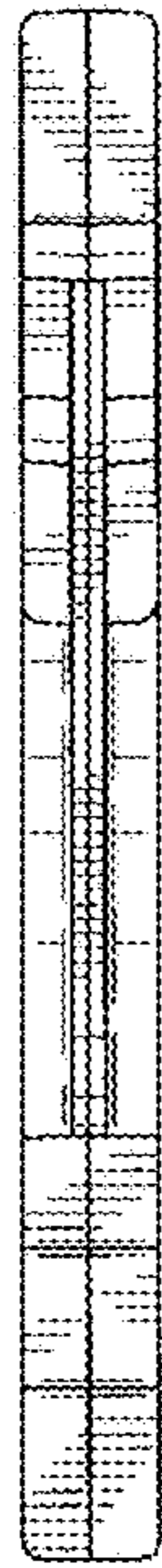


FIG. 6

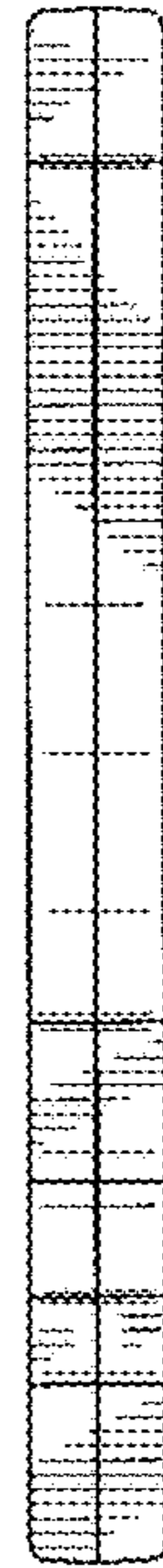


FIG. 7

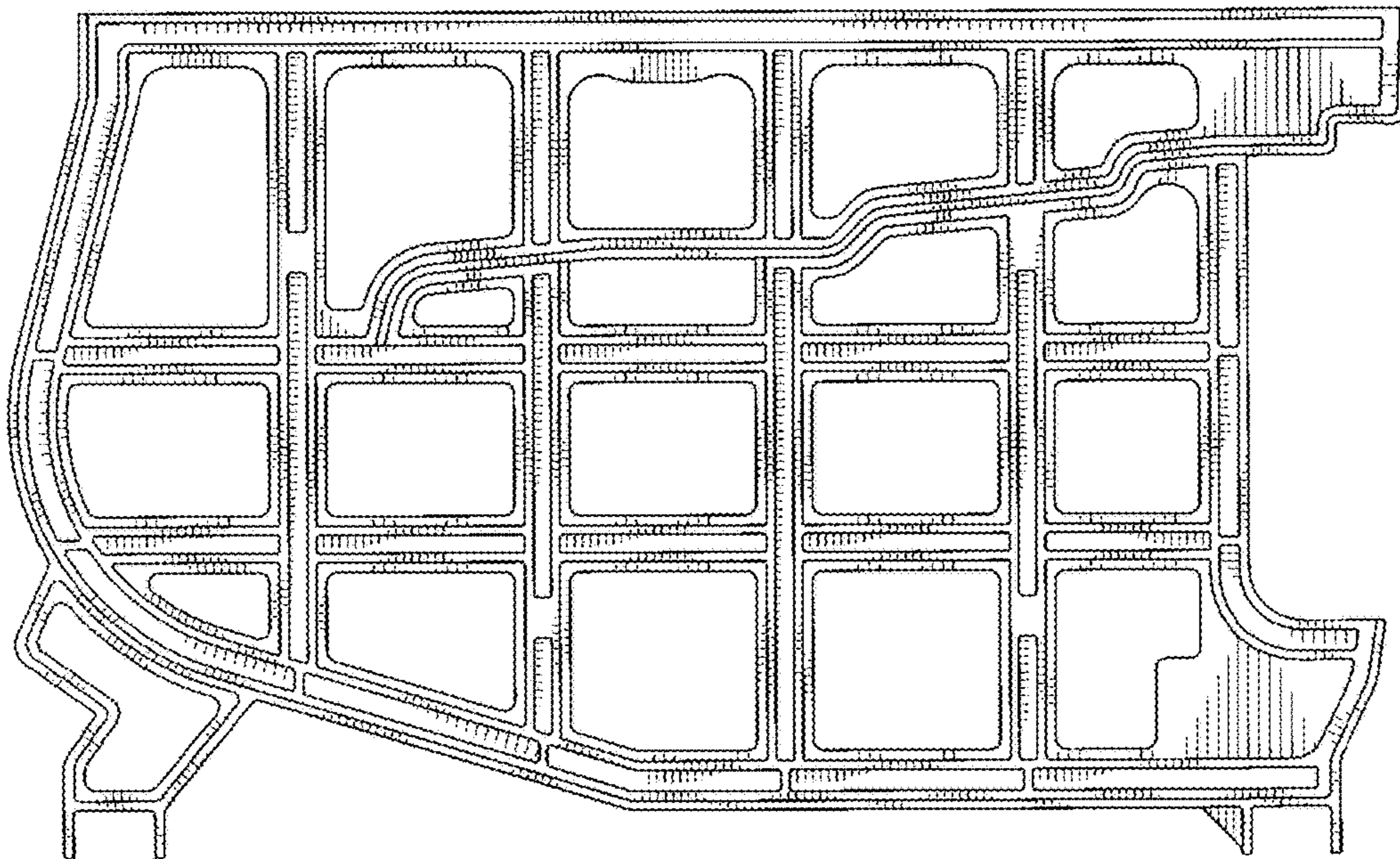


FIG. 8

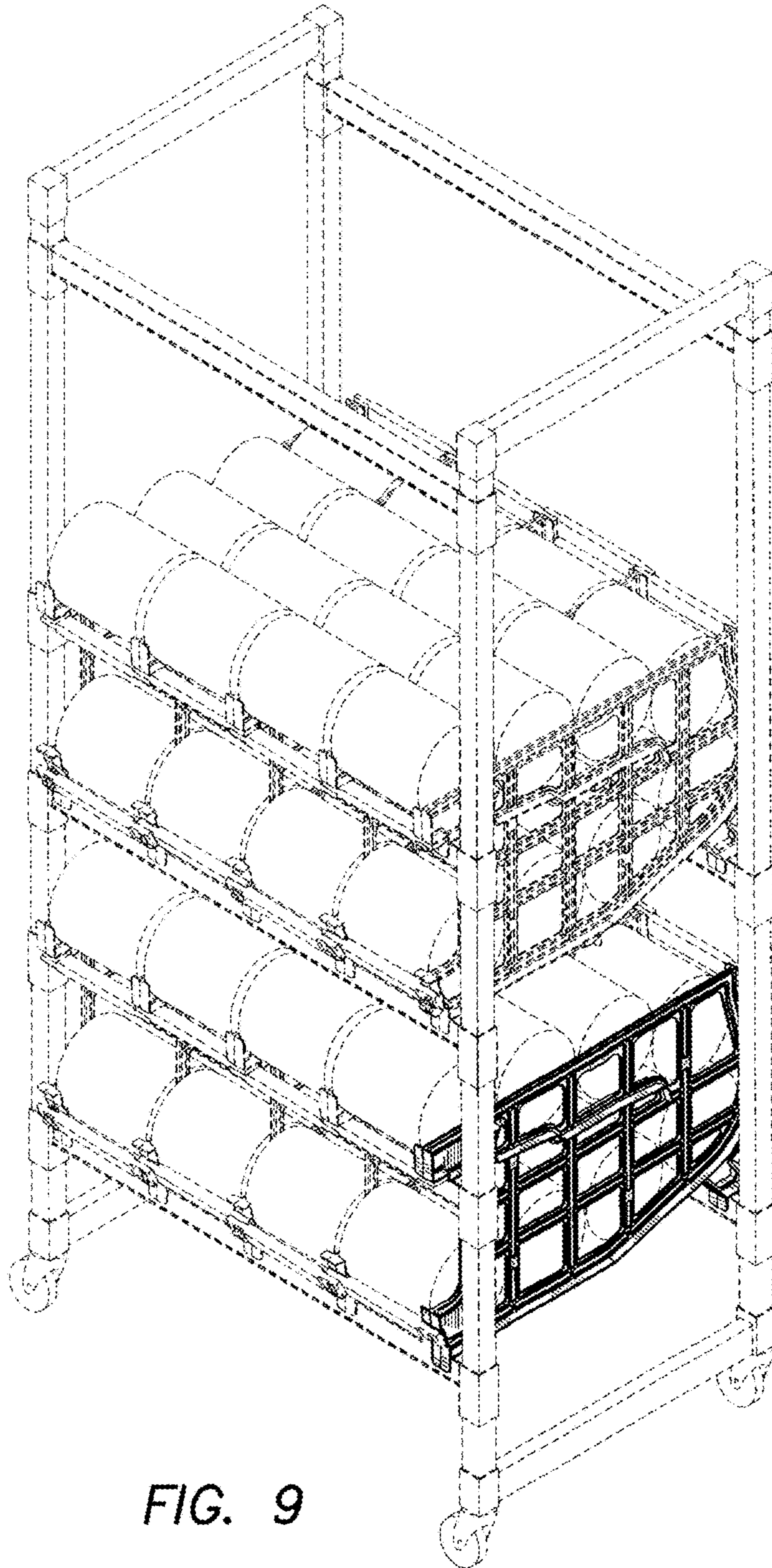


FIG. 9