



US00D827419S

(12) **United States Design Patent** (10) **Patent No.:** **US D827,419 S**  
**Hopkins** (45) **Date of Patent:** **\*\* \*Sep. 4, 2018**

(54) **HANGING DEVICE**  
(71) Applicant: **Casey Hopkins**, Portland, OR (US)  
(72) Inventor: **Casey Hopkins**, Portland, OR (US)  
(\* ) Notice: This patent is subject to a terminal disclaimer.  
(\*\*) Term: **15 Years**

6,196,511 B1 \* 3/2001 Beauchemin ..... A45F 3/00  
248/218.4  
D572,121 S \* 7/2008 Shiffler ..... D8/367  
D613,585 S \* 4/2010 Haddock ..... D8/367  
D621,241 S \* 8/2010 Mirer ..... D8/367  
D669,766 S \* 10/2012 Mirer ..... D8/367  
D674,680 S \* 1/2013 Mirer ..... D8/367  
D707,110 S \* 6/2014 Veilleux ..... D8/367  
D753,987 S \* 4/2016 Bernstein ..... D8/367  
D755,613 S \* 5/2016 Ajello ..... D8/372

\* cited by examiner

(21) Appl. No.: **29/595,127**  
(22) Filed: **Feb. 24, 2017**

*Primary Examiner* — Cynthia Underwood  
(74) *Attorney, Agent, or Firm* — Mohr Intellectual Property Law Solutions, PC

**Related U.S. Application Data**

(63) Continuation of application No. 14/617,493, filed on Feb. 9, 2015, now abandoned.

(57) **CLAIM**

(51) **LOC (11) Cl.** ..... **08-05**  
(52) **U.S. Cl.**  
USPC ..... **D8/367**

I claim the ornamental design for a hanging device, as shown and described.

(58) **Field of Classification Search**  
USPC ..... D8/367, 354, 349, 394, 372, 398, 382, 248/220.43, 220.42, 205.3; D13/156  
CPC ..... F16L 3/13; F16L 3/26; A47G 23/0225; A47G 25/06; A47G 1/16; A47F 5/0846; A47F 5/02; A47F 5/0823; H02G 11/003; D06F 55/00; E04H 17/10; A45F 5/02; F16B 45/02; F16B 45/00  
See application file for complete search history.

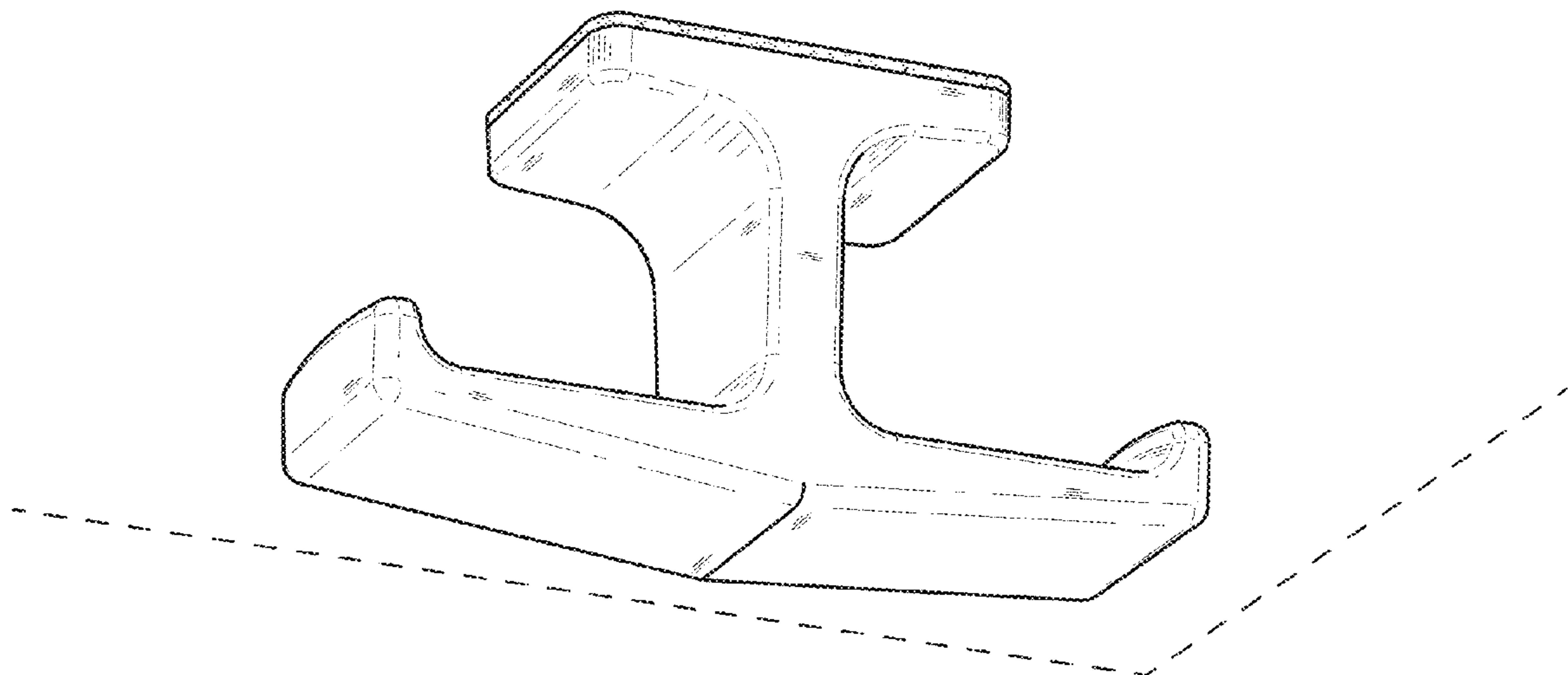
**DESCRIPTION**

FIG. 1 is a perspective view of a hanging device affixed the underside of a table.  
FIG. 2 is a second perspective view thereof.  
FIG. 3 is a first side elevation view thereof.  
FIG. 4 is a second side elevation view thereof.  
FIG. 5 is a first end elevation thereof.  
FIG. 6 is a second end elevation thereof.  
FIG. 7 is a top plan view thereof; and,  
FIG. 8 is a bottom plan view thereof. The stippling represents an adhesive material.  
The broken lines depict an environment of use which forms no part of the claim. The stippling represents an adhesive surface which is part of the claim.

(56) **References Cited**  
U.S. PATENT DOCUMENTS

D241,206 S \* 8/1976 Halsted ..... D6/323  
D401,838 S \* 12/1998 Beauchemin ..... D8/373

**1 Claim, 4 Drawing Sheets**



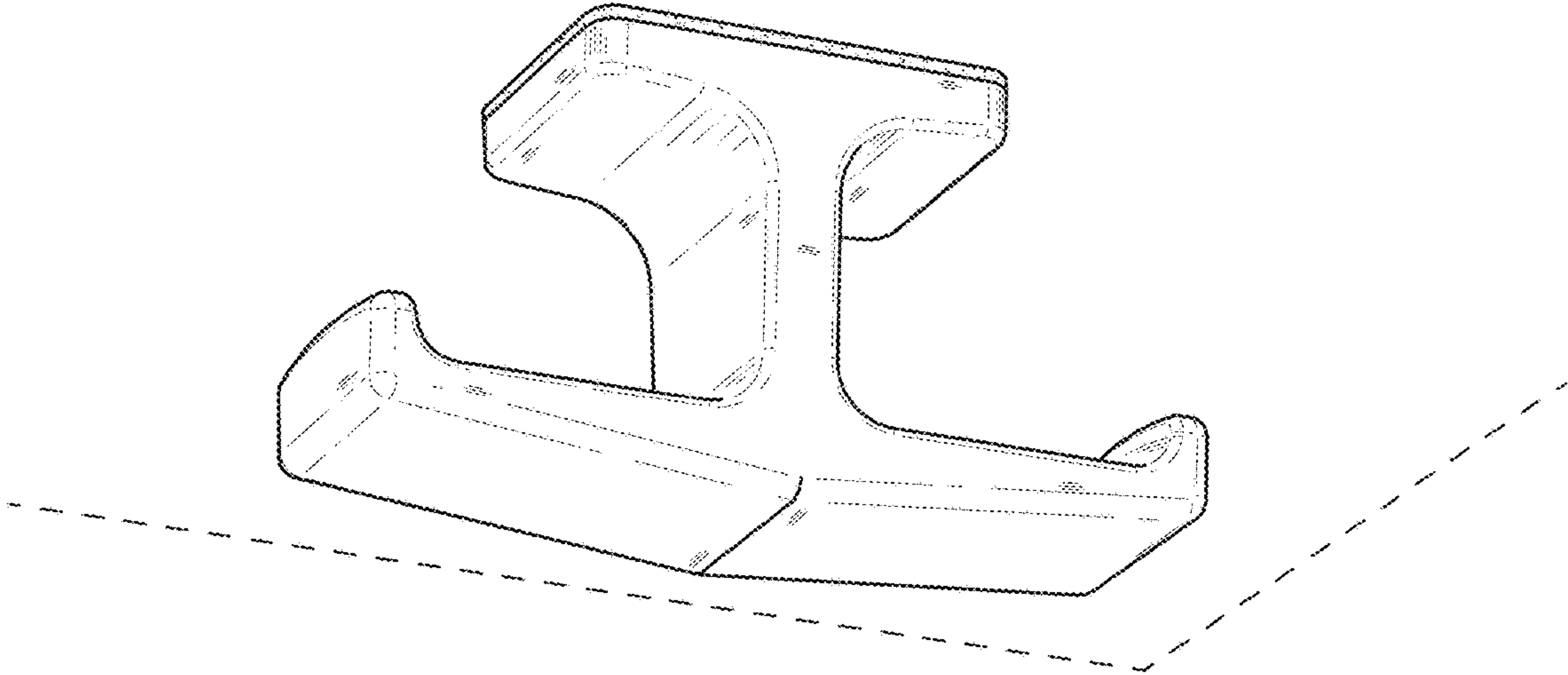


FIG. 1

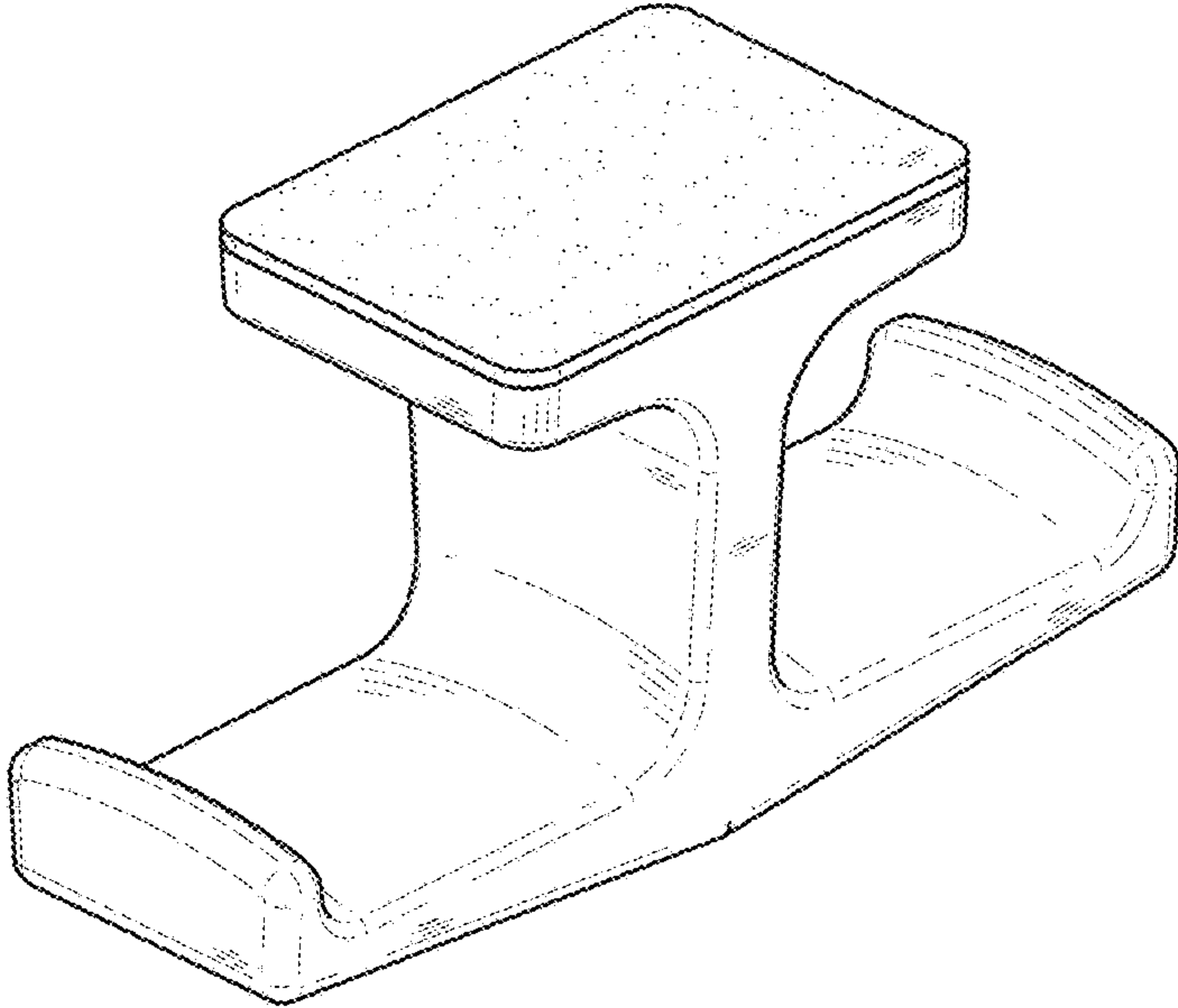


FIG. 2

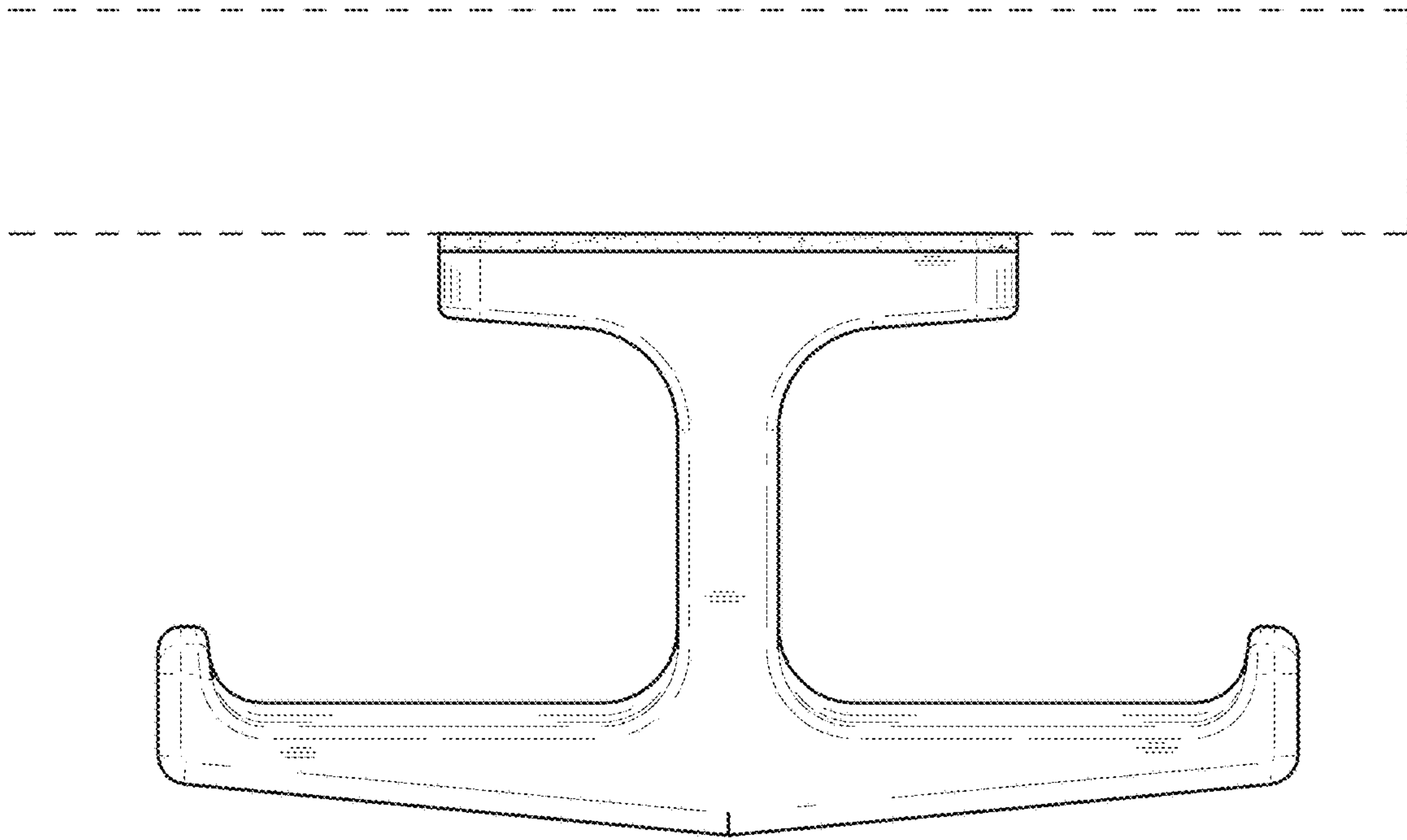


FIG. 3

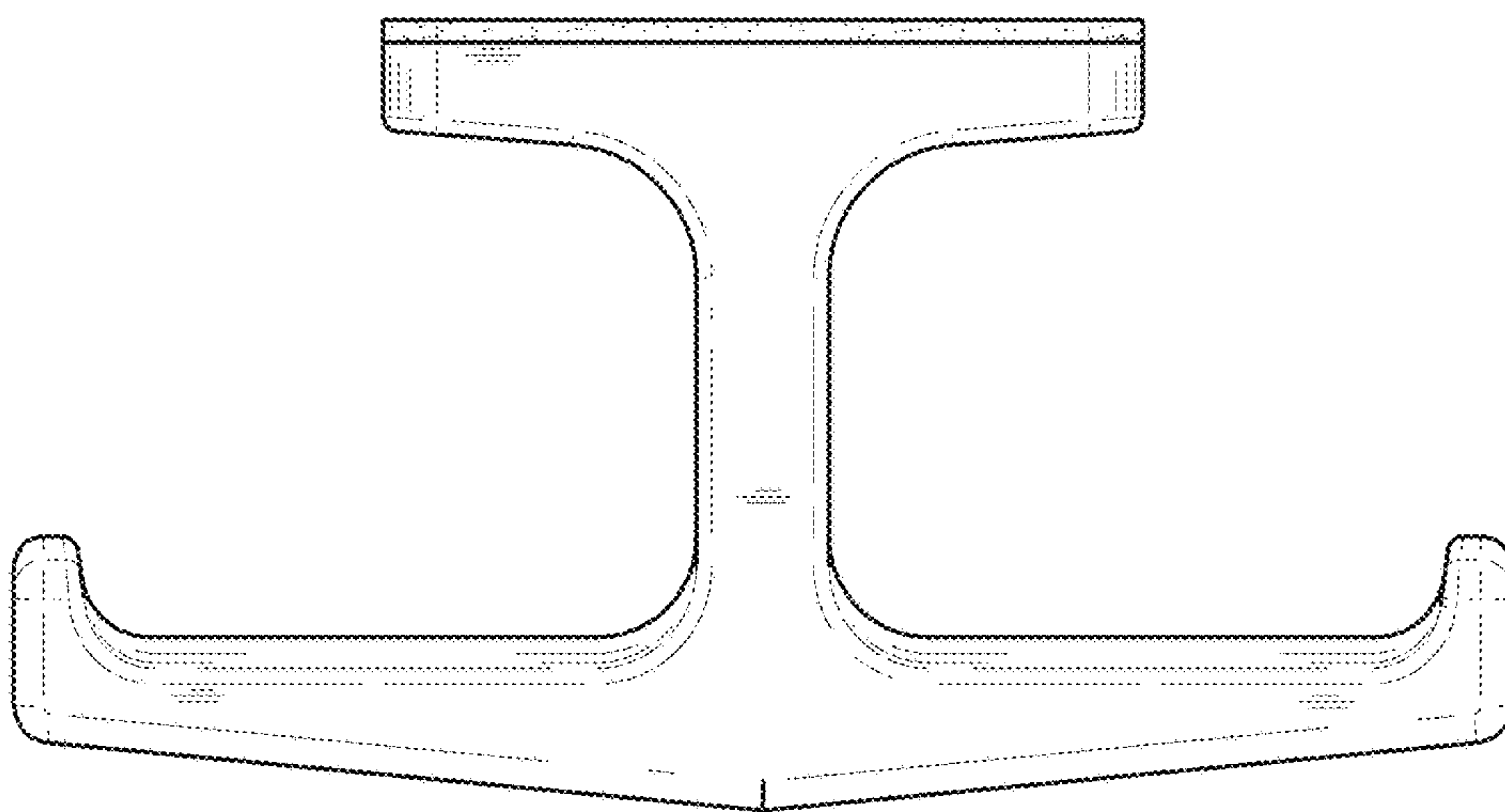


FIG. 4

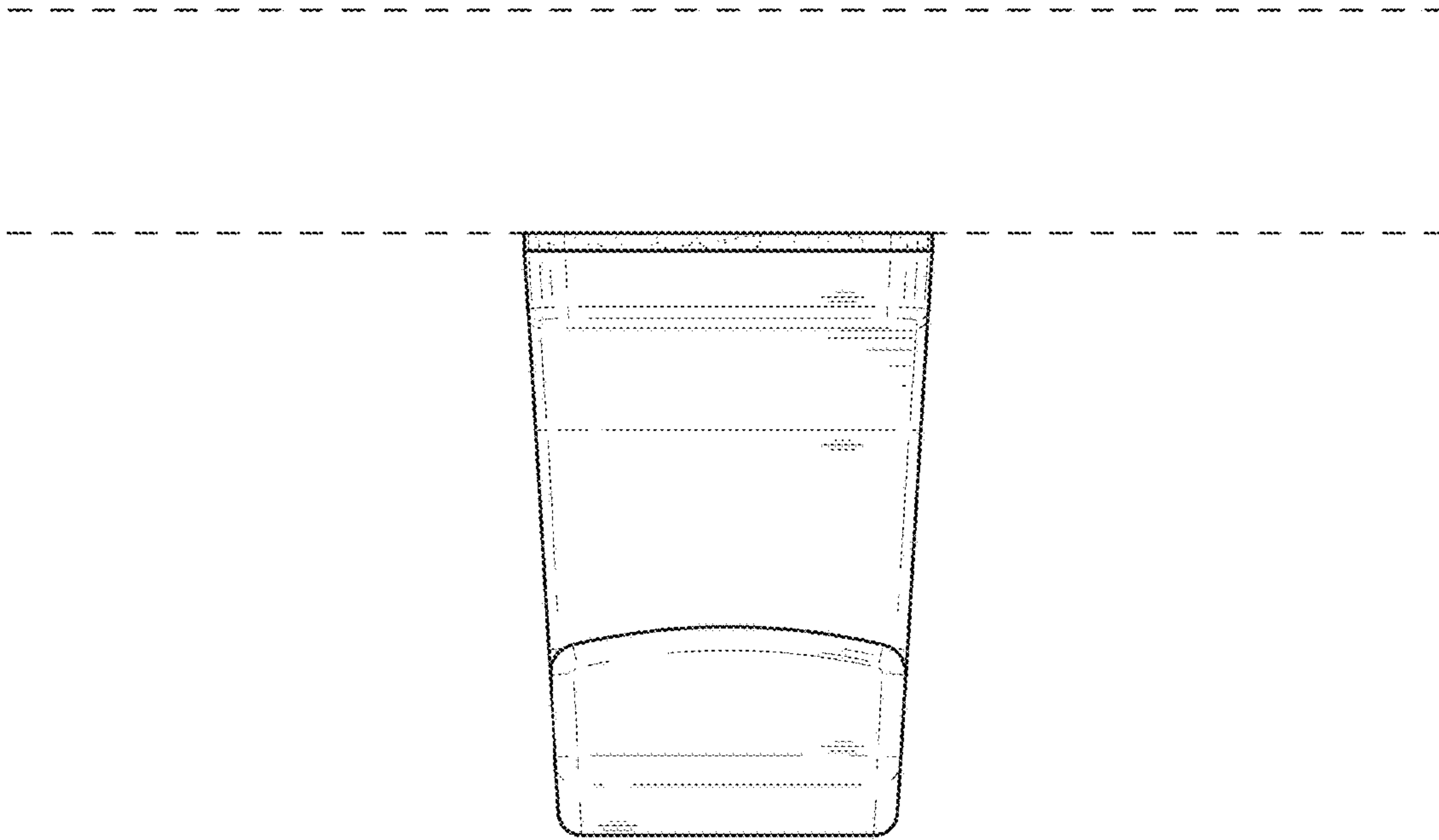


FIG. 5

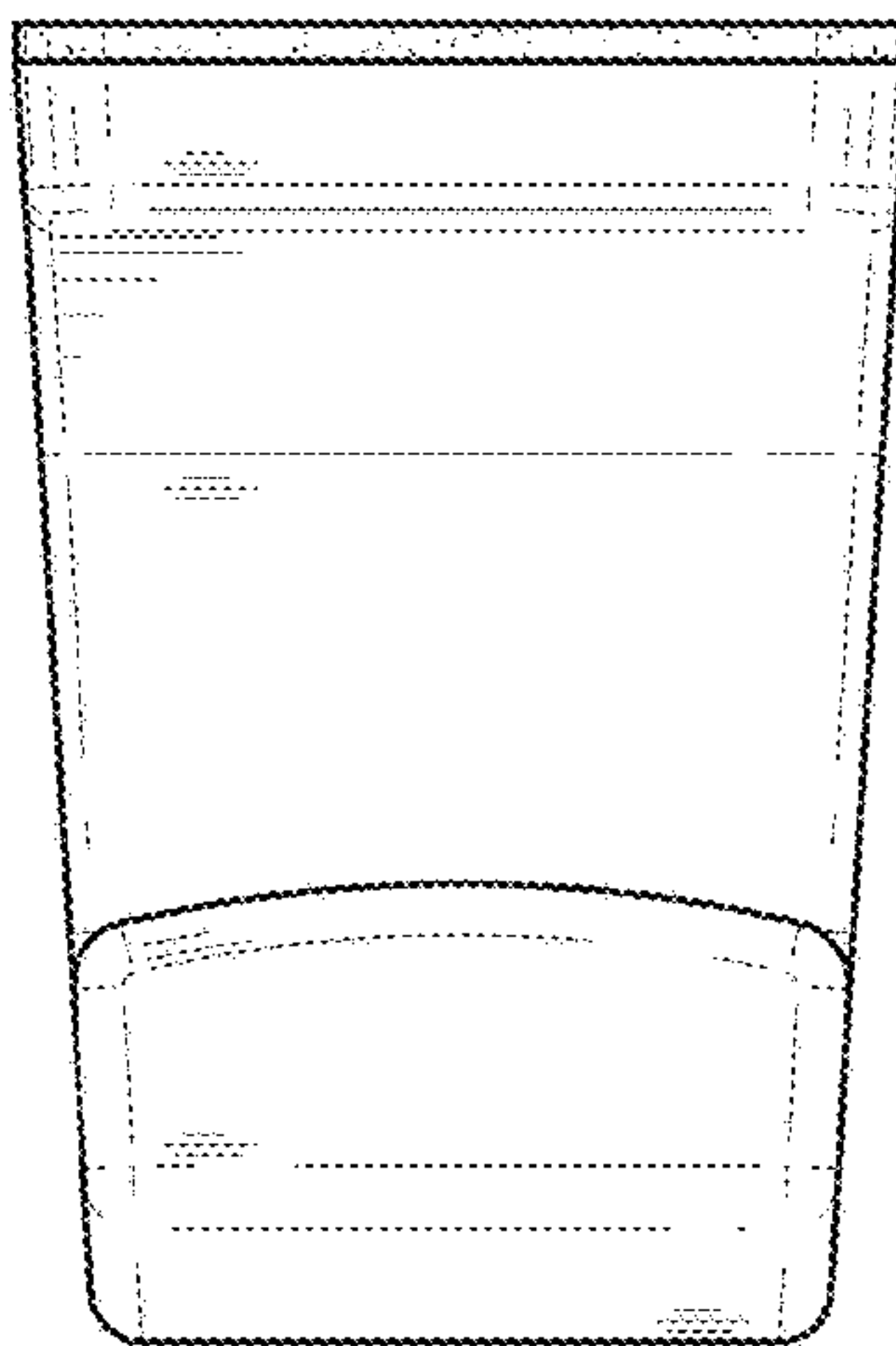


FIG. 6

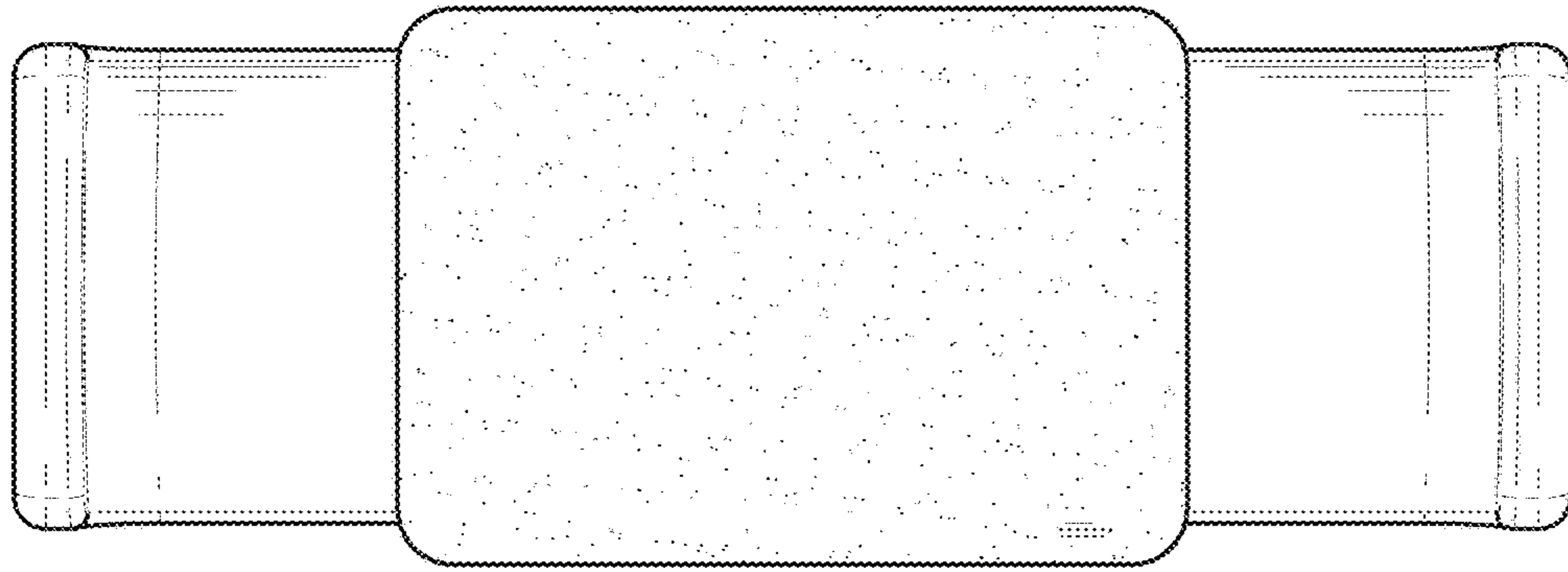


FIG. 7

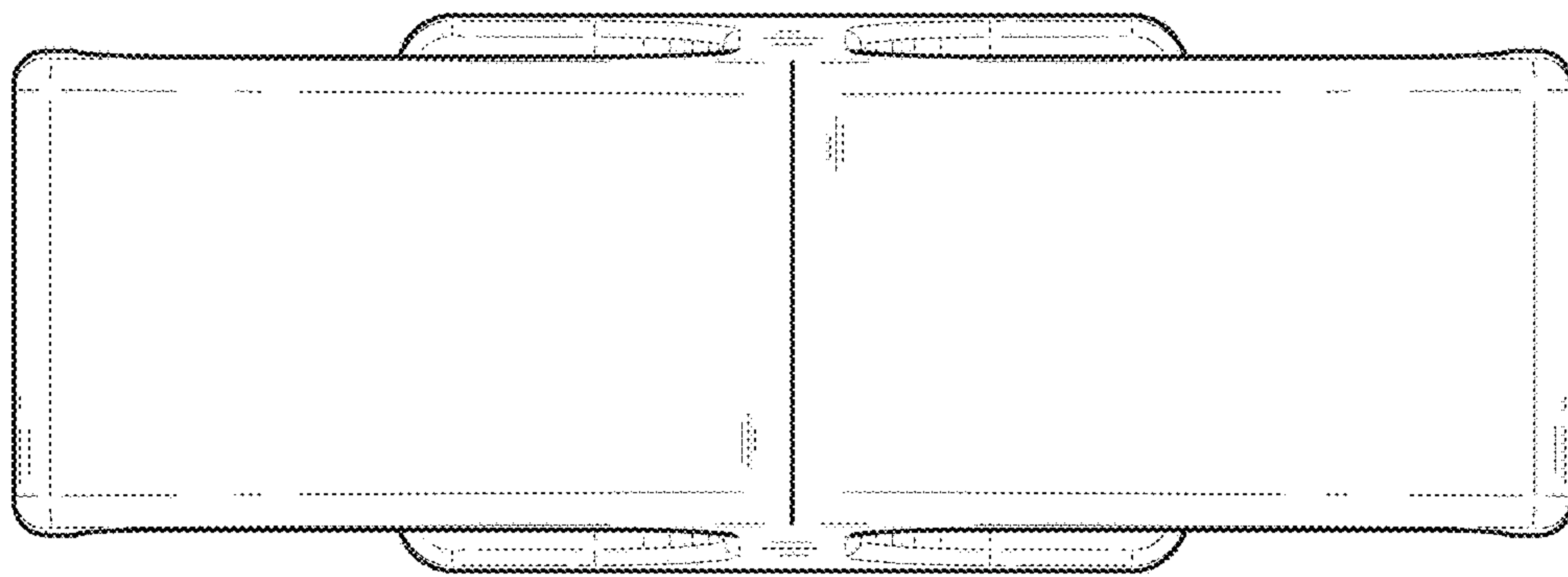


FIG. 8