



US00D827418S

(12) **United States Design Patent**
Austin

(10) **Patent No.:** **US D827,418 S**
(45) **Date of Patent:** **** Sep. 4, 2018**

- (54) **ROPE LINE ANCHOR WITH HOOK**
- (71) Applicant: **Daniel Austin**, Pomona, CA (US)
- (72) Inventor: **Daniel Austin**, Pomona, CA (US)
- (**) Term: **15 Years**
- (21) Appl. No.: **29/622,391**
- (22) Filed: **Oct. 17, 2017**

Related U.S. Application Data

- (63) Continuation-in-part of application No. 29/547,744, filed on Dec. 7, 2015.
- (51) **LOC (11) Cl.** **09-06**
- (52) **U.S. Cl.**
USPC **D8/356**
- (58) **Field of Classification Search**
USPC D8/367, 354, 349, 356
CPC . F16B 45/02; B66C 1/125; B66C 1/36; A62B 35/0037
See application file for complete search history.

7,540,074 B2	6/2009	Thompson	F16B 45/02	24/599.5
7,845,467 B2	12/2010	Petzl	A62B 1/14	182/193
7,922,220 B2 *	4/2011	Coulombe	F16B 45/02	24/600.1
7,946,006 B2	5/2011	Thompson	F16B 45/02	24/592.11
D649,018 S	11/2011	Kope	D8/367	
8,060,994 B2	11/2011	Petzl	F16B 45/02	24/599.9
D649,862 S	12/2011	Arvinte	D8/339	
8,276,247 B2	10/2012	Yang	F16B 45/02	24/599.5
D684,452 S	6/2013	Petzl	D8/356	
8,474,112 B2	7/2013	Thompson	F16B 45/02	24/582.11
D708,047 S	7/2014	Petzl	D8/356	

(Continued)

Primary Examiner — Cynthia R Underwood
(74) *Attorney, Agent, or Firm* — Kirk A. Buhler; Buhler & Associates

(57) **CLAIM**

The ornamental design for a rope line anchor with hook, as shown and described.

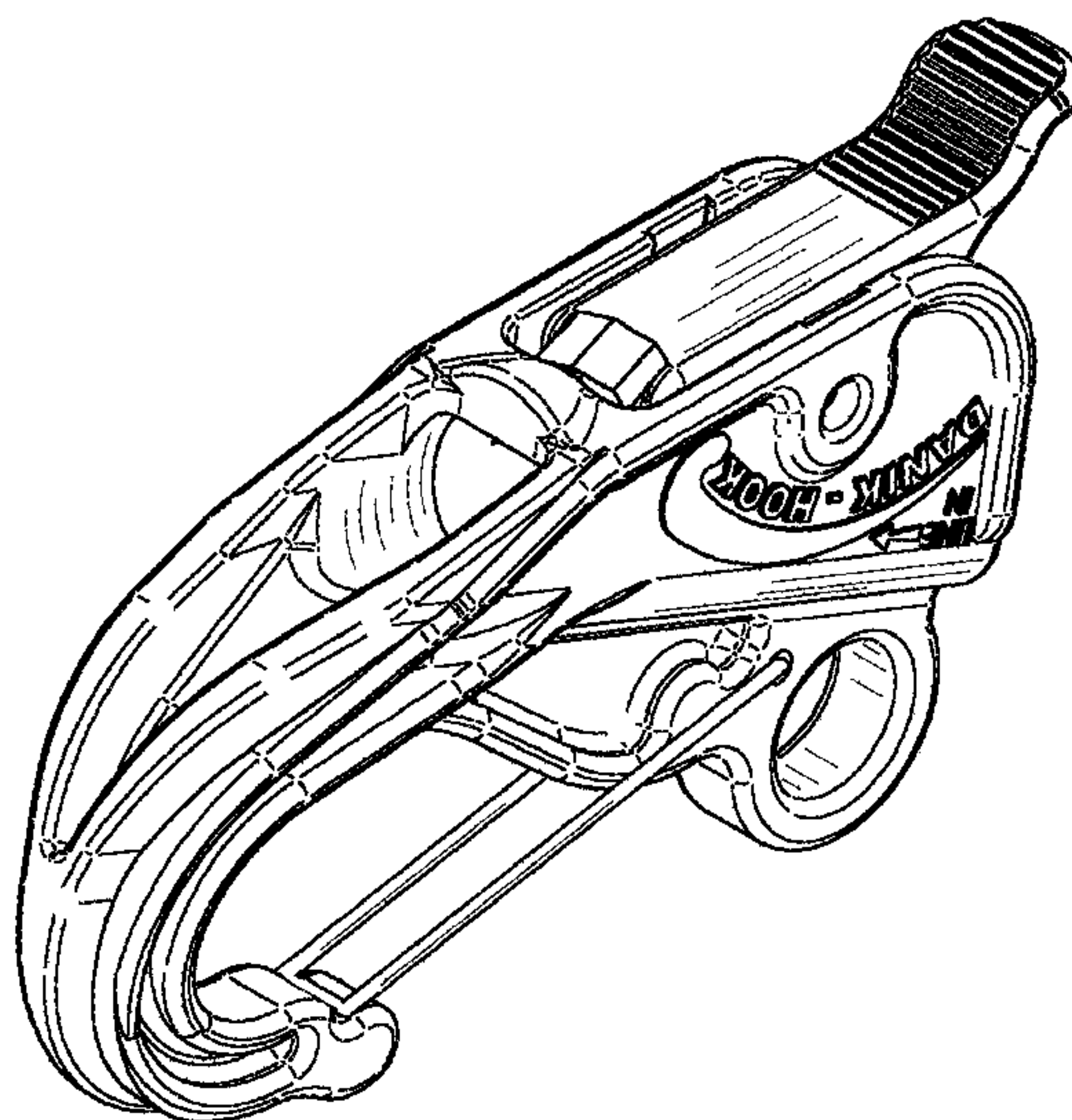
DESCRIPTION

FIG. 1 is a front perspective view of a rope line anchor with hook showing my new design;
FIG. 2 is a front elevation view thereof;
FIG. 3 is a rear elevation view thereof;
FIG. 4 is a bottom plan view thereof;
FIG. 5 is a top plan view thereof;
FIG. 6 is a rear elevation view thereof;
FIG. 7 is a front elevation view thereof; and,
FIG. 8 is a rear perspective view shown in an environment of use.
The broken lines in FIG. 8 depict environmental subject matter of a rope and forms no part of the claimed design

(56) **References Cited**
U.S. PATENT DOCUMENTS

3,446,484 A	5/1969	Walsh et al.	
D222,428 S	10/1971	Stein	
D246,286 S	11/1977	Moore	
D347,507 S	5/1994	Austin	
D349,839 S	8/1994	Gilardelli D8/331
D391,840 S	3/1998	Striebel D8/367
6,223,372 B1	5/2001	Barber B25F 1/00
			7/118
7,320,159 B2	1/2008	Petzl F16B 45/02
			24/599.5
7,444,723 B2 *	11/2008	Lin F16B 45/02
			24/600.1
7,475,456 B2	1/2009	Thompson F16B 45/02
			24/599.9

1 Claim, 4 Drawing Sheets



US D827,418 S

Page 2

(56)

References Cited

U.S. PATENT DOCUMENTS

8,905,449 B2	12/2014	Calvert	F16B 45/025	24/599.1
D726,123 S	4/2015	Su	D13/154	
9,003,617 B2	4/2015	Walker	F16B 45/02	24/599.1
D730,159 S	5/2015	Grimm	D8/356	
D730,722 S	6/2015	Grimm	D8/356	
9,091,295 B1	7/2015	Yang	F16B 45/02	
D743,778 S	11/2015	Huang	D8/367	
9,322,428 B2	4/2016	Perner	F16B 45/02	
D765,497 S	9/2016	Petzl	D8/356	
9,500,221 B2 *	11/2016	Kugimiya	F16B 45/02	
D788,572 S *	6/2017	Votel	D8/356	
D808,775 S *	1/2018	Ruddick	D8/356	
D819,429 S *	6/2018	Newing	D8/356	
2007/0062014 A1	3/2007	Casebolt	F16B 45/02	24/600.1
2007/0186393 A1	8/2007	Thompson	F16B 45/02	24/599.9
2008/0022497 A1	1/2008	Thompson	F16B 45/02	24/598.1
2008/0174130 A1	7/2008	Lin	F16B 45/02	294/82.2
2009/0056088 A1	3/2009	Petzl	F16B 45/02	24/599.9
2011/0023275 A1	2/2011	Thompson	F16B 45/02	24/594.1
2011/0138587 A1	6/2011	Walker	F16B 45/02	24/599.5
2012/0011688 A1	1/2012	Yang	F16B 45/02	24/599.8
2013/0219673 A1	8/2013	Perner	F16B 45/02	24/375
2014/0110956 A1	4/2014	Lin	F16B 45/02	294/82.2
2014/0123447 A1	5/2014	Calvert	F16B 45/025	24/599.9
2014/0138191 A1 *	5/2014	Chabod	A62B 1/14	188/65.1
2014/0245576 A1	9/2014	Perner	F16B 45/02	24/600.1
2015/0231423 A1	8/2015	Perner	A62B 35/0075	24/505
2016/0061251 A1	3/2016	Rogelja	F16B 45/02	24/598.3
2016/0101302 A1	4/2016	Perner	F16B 45/02	24/573.11
2016/0152453 A1	6/2016	Wescott	B66D 3/04	182/3
2016/0281766 A1	9/2016	Moine	A62B 35/0037	
2016/0361578 A1	12/2016	Casebolt	A62B 35/0037	
2016/0363159 A1	12/2016	Yeh	F16B 45/02	
2016/0376129 A1	12/2016	Hendrix	F16B 45/02	294/82.2

* cited by examiner

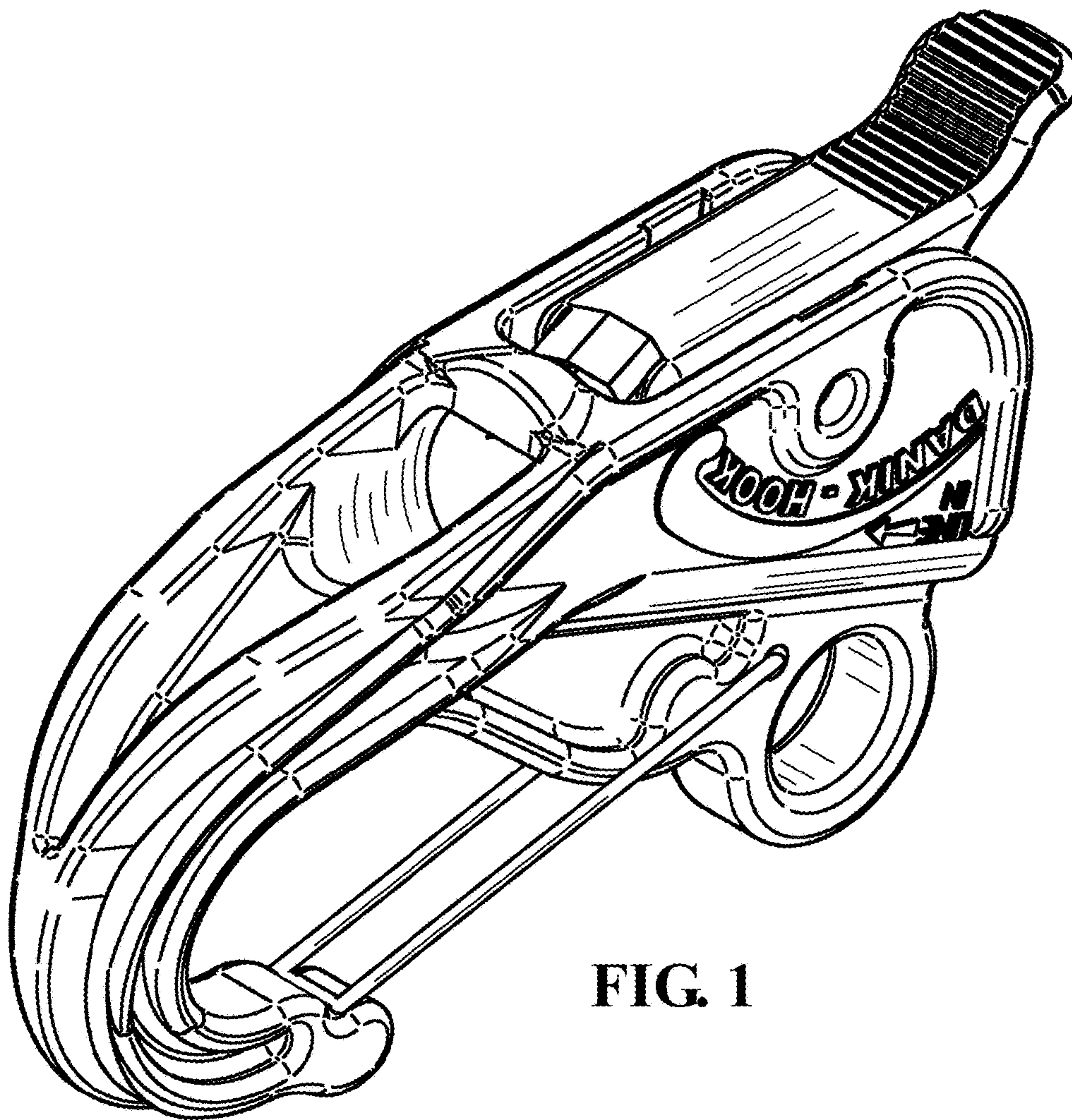


FIG. 1

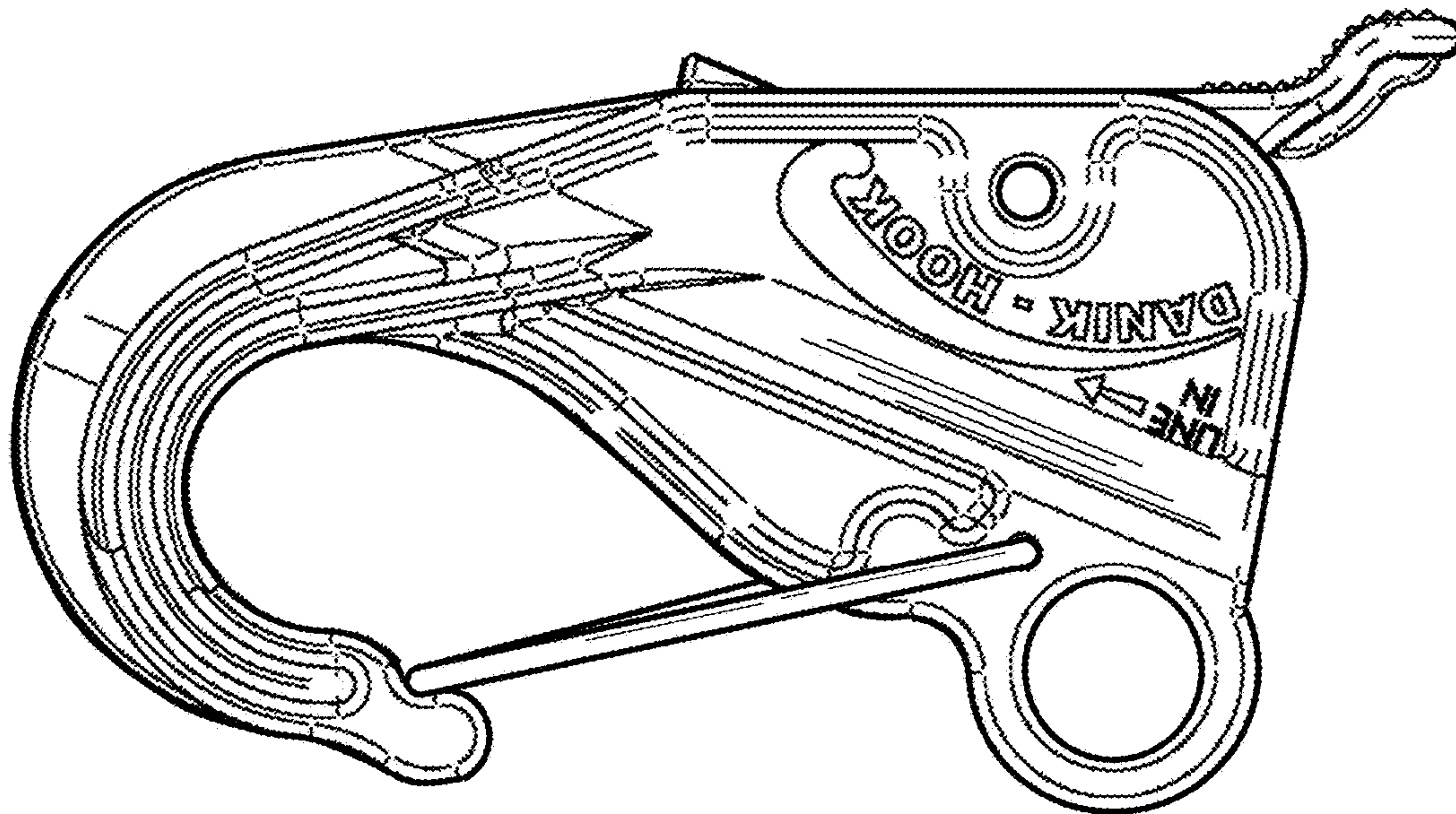


FIG. 2

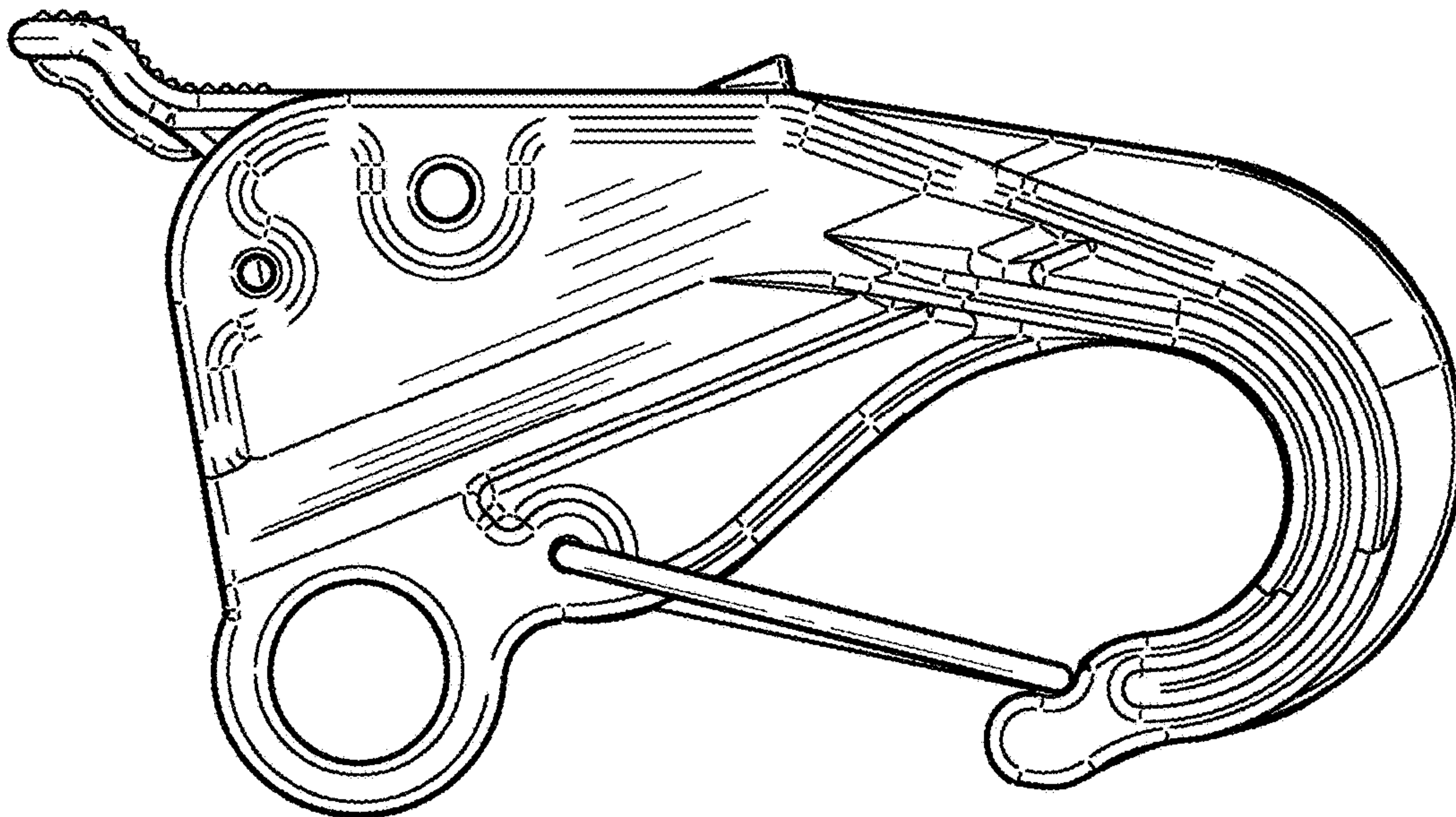


FIG. 3

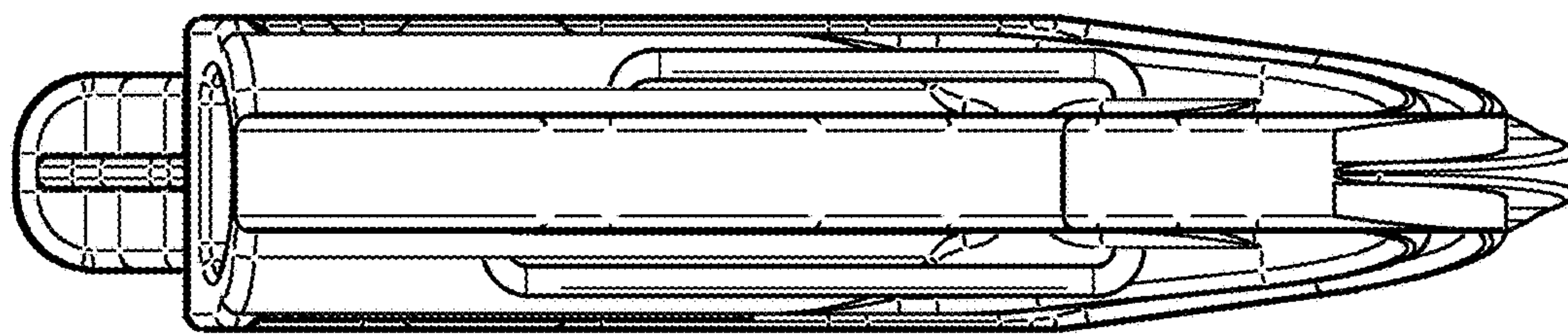


FIG. 4

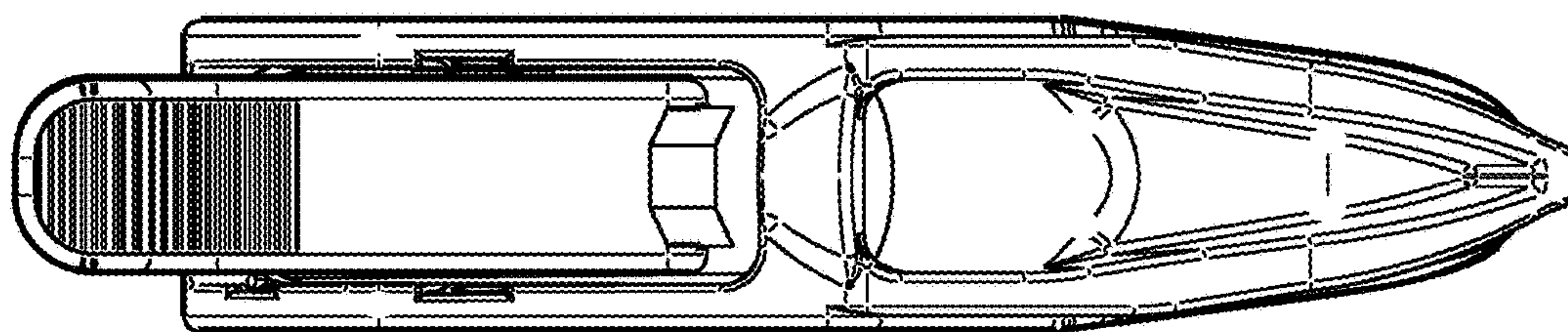


FIG. 5

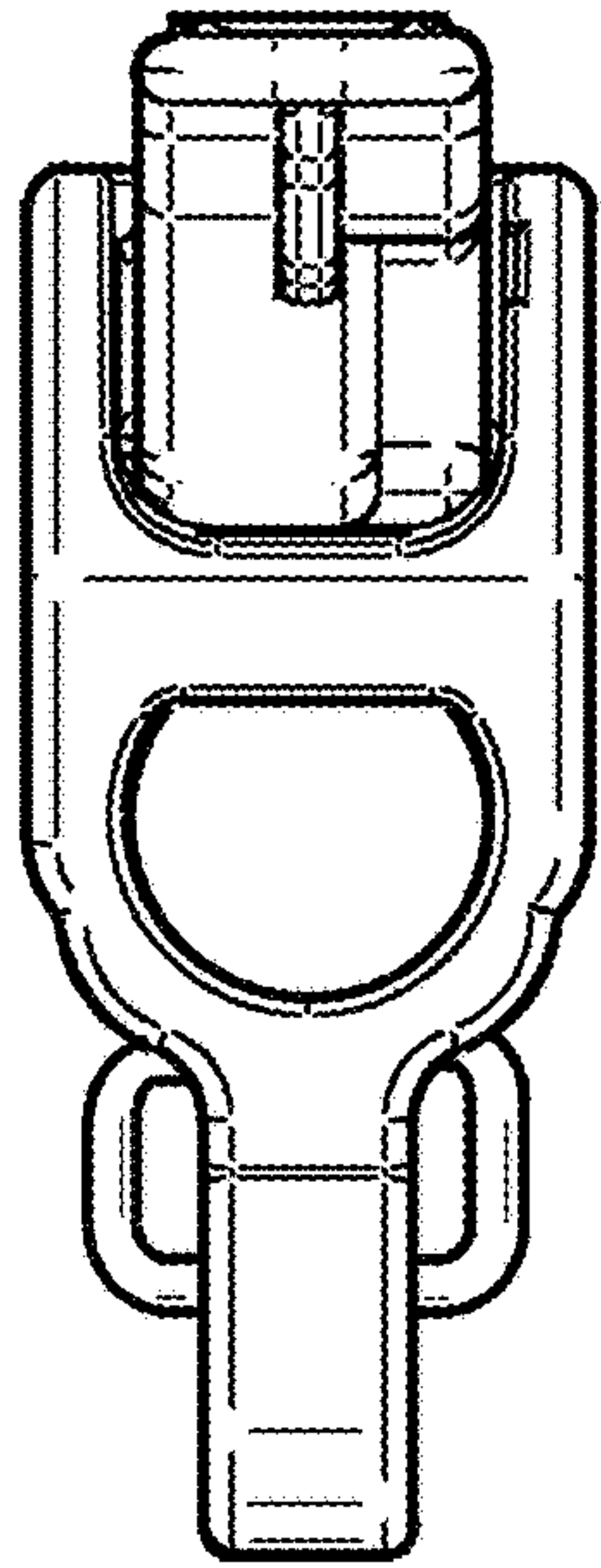


FIG. 6

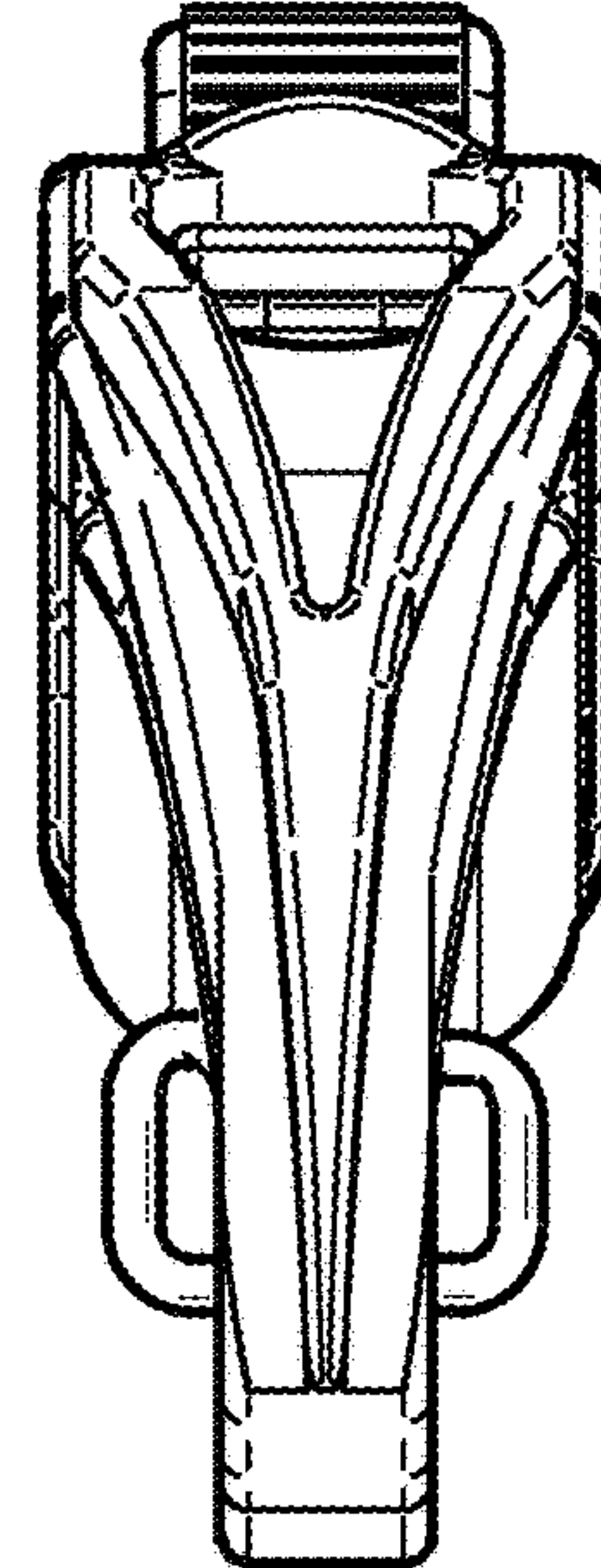


FIG. 7

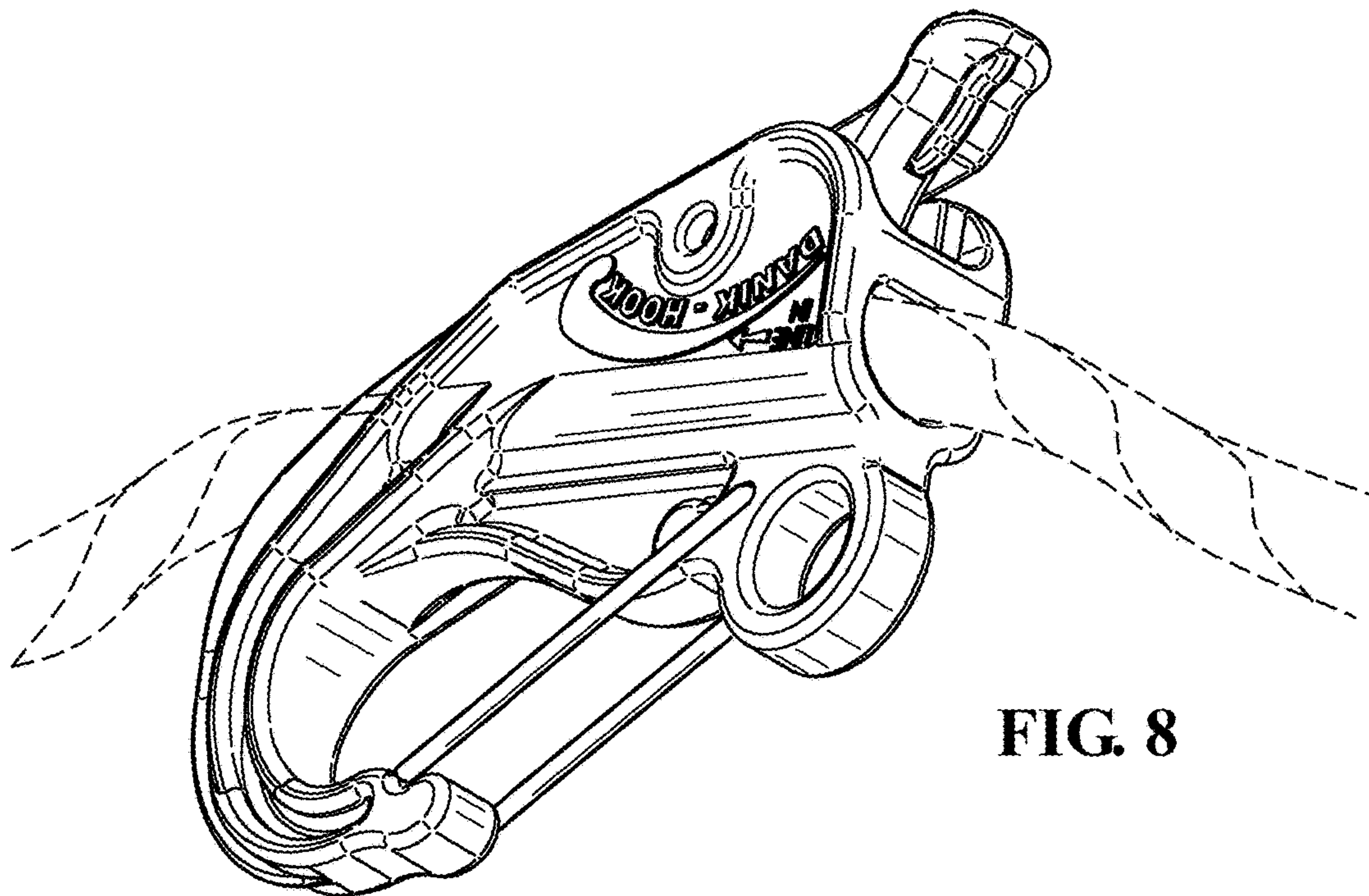


FIG. 8



US00D827418C1

(12) **EX PARTE REEXAMINATION CERTIFICATE** (11855th)
United States Patent
Austin

(10) **Number:** **US D827,418 C1**
(45) **Certificate Issued:** **May 27, 2021**

(54) **ROPE LINE ANCHOR WITH HOOK**
(71) Applicant: **Daniel Austin**, Pomona, CA (US)
(72) Inventor: **Daniel Austin**, Pomona, CA (US)

(51) **LOC (13) Cl.** 09-06
(52) **U.S. Cl.**
USPC **D8/356**
(58) **Field of Classification Search**
USPC D8/356
See application file for complete search history.

Reexamination Request:
No. 90/014,470, Mar. 3, 2020

Reexamination Certificate for:
Patent No.: **Des. 827,418**
Issued: **Sep. 4, 2018**
Appl. No.: **29/622,391**
Filed: **Oct. 17, 2017**

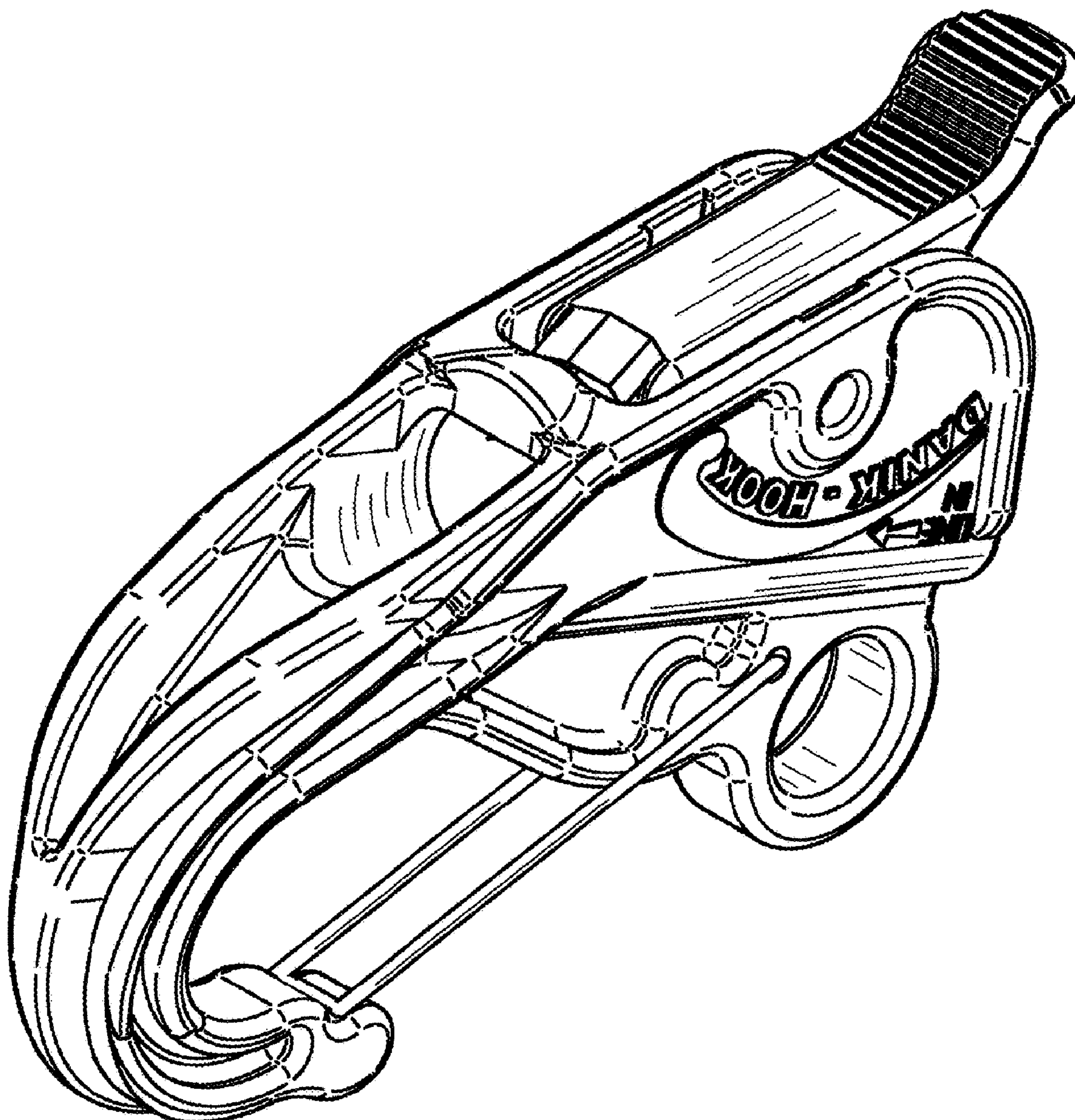
Related U.S. Application Data

(63) Continuation-in-part of application No. 29/547,744,
filed on Dec. 7, 2015, now abandoned.

(56) **References Cited**

To view the complete listing of prior art documents cited during the proceeding for Reexamination Control Number 90/014,470, please refer to the USPTO's public Patent Application Information Retrieval (PAIR) system under the Display References tab.

Primary Examiner — Kevin K Rudzinski



1
EX PARTE
REEXAMINATION CERTIFICATE

THE PATENT IS HEREBY AMENDED AS
INDICATED BELOW.

5

AS A RESULT OF REEXAMINATION, IT HAS BEEN
DETERMINED THAT:

The claim 1 is cancelled.

10

* * * * *