



US00D827417S

(12) **United States Design Patent** (10) **Patent No.:** **US D827,417 S**
Nelson et al. (45) **Date of Patent:** **** Sep. 4, 2018**

- (54) **CLIP FOR SECURING STRING OR ROPE** 1,366,212 A * 1/1921 Pollard F16G 11/00
24/129 B
- (71) Applicant: **Encore Packaging LLC**, Lake Bluff, IL (US) 1,583,343 A 5/1926 Duerden
1,666,623 A 4/1928 Hoover
2,229,935 A 1/1941 Powers
D258,044 S 1/1981 Kimball
- (72) Inventors: **Timothy H. Nelson**, Winnetka, IL (US); **Stephenson Nelson**, Winnetka, IL (US) 4,355,444 A 10/1982 Haney
D275,262 S 8/1984 Kimball
D287,329 S * 12/1986 Hamatani D8/14
D289,373 S 4/1987 Kimball
- (73) Assignee: **Encore Packaging LLC**, Lake Bluff, IL (US) 4,775,121 A * 10/1988 Carty F16L 3/2235
24/543
- (**) Term: **15 Years** 4,957,232 A 9/1990 Sprague
D311,487 S 10/1990 Platt
- (21) Appl. No.: **29/610,299** 5,232,193 A 8/1993 Skakoon
5,234,185 A 8/1993 Hoffman
D353,990 S 1/1995 Alfreds

(Continued)

Primary Examiner — Sandra S Snapp
Assistant Examiner — Ieisha N Price
(74) *Attorney, Agent, or Firm* — Fitch, Even, Tabin & Flannery LLP

(22) Filed: **Jul. 11, 2017**

Related U.S. Application Data

(60) Division of application No. 29/559,608, filed on Mar. 30, 2016, now Pat. No. Des. 791,582, which is a continuation-in-part of application No. 29/528,884, filed on Jun. 2, 2015, now Pat. No. Des. 753,985, which is a division of application No. 29/503,350, filed on Sep. 25, 2014, now Pat. No. Des. 731,296.

(51) **LOC (11) Cl.** **08-05**

(52) **U.S. Cl.**
USPC **D8/356**

(58) **Field of Classification Search**
USPC ... D8/71, 349, 354, 356, 382, 383, 394, 499
CPC F16G 11/00; F16G 11/02; F16G 11/103;
F16G 11/046; F16G 11/048; F16G 11/105; Y10T 24/39; Y10T 24/3971;
Y10T 24/3713; Y10T 24/44222
See application file for complete search history.

(56) **References Cited**

U.S. PATENT DOCUMENTS

- 423,312 A 3/1890 Clark
- 479,509 A 7/1892 Heaphy

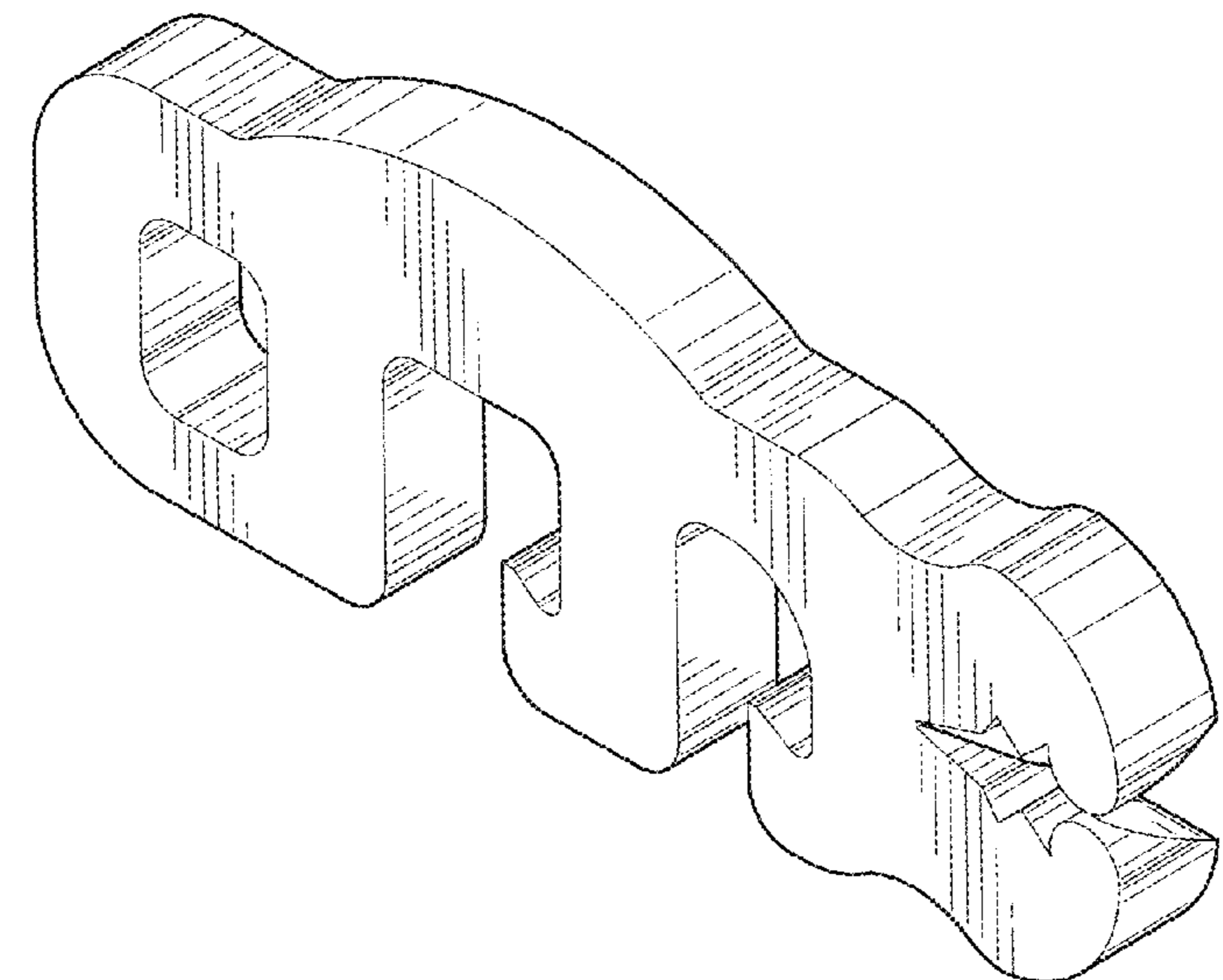
(57) **CLAIM**

I claim the ornamental design for a clip for securing string or rope, as shown and described.

DESCRIPTION

FIG. 1 is a front perspective view of the clip for securing string or rope;
FIG. 2 is a rear perspective view thereof;
FIG. 3 is a rear view thereof;
FIG. 4 is a front view thereof;
FIG. 5 is a right side view thereof;
FIG. 6 is a left side view thereof;
FIG. 7 is a top plan view thereof; and,
FIG. 8 is a bottom plan view thereof.
The broken lines in the drawings illustrate portions of the clip for securing string or rope and form no part of the claimed design.

1 Claim, 4 Drawing Sheets



(56)

References Cited

U.S. PATENT DOCUMENTS

D376,095 S *	12/1996	Curtis	D8/356	D675,123 S	1/2013	Nunez	
5,671,854 A	9/1997	Thomas		D676,310 S *	2/2013	Lowrance	D8/356
D390,447 S	2/1998	Colen, Jr.		D684,845 S	6/2013	Wood	
6,012,940 A	1/2000	Wheeler		8,615,849 B2	12/2013	Rothbaum	
6,092,444 A	7/2000	Hsiao		D702,109 S	4/2014	Weinberg	
D448,656 S	10/2001	Kalat		D708,045 S	7/2014	Ressler	
6,571,854 B1	6/2003	Palmer		D710,678 S	8/2014	Miller	
D494,450 S	8/2004	Schultz		D710,679 S	8/2014	Miller	
6,813,981 B2	11/2004	Urban		D713,240 S	9/2014	Chance	
7,195,511 B1	3/2007	Ornt		D730,159 S	5/2015	Grimm	
D587,988 S	3/2009	Johansson		D731,296 S	6/2015	Nelson	
D604,589 S	11/2009	Johansson		D732,933 S	6/2015	Jansen	
D613,137 S	4/2010	Wieberdink		D735,632 S	8/2015	Beidler	
D624,378 S	9/2010	Wysopal		D753,985 S	4/2016	Nelson	
D627,632 S	11/2010	Elmer		D791,582 S	7/2017	Nelson et al.	
D640,527 S *	6/2011	Hoek	D8/356	D801,784 S *	11/2017	Simon	D8/356
D657,869 S *	4/2012	Mammen	D24/128	D803,164 S *	11/2017	Noble	D13/155
D660,740 S	5/2012	Cullen		2005/0082115 A1	4/2005	Petzl	
D662,087 S	6/2012	Peller		2014/0196256 A1 *	7/2014	Garcia	F16G 11/046 24/129 R
				2018/0051828 A1 *	2/2018	Boriack	F16L 3/223

* cited by examiner

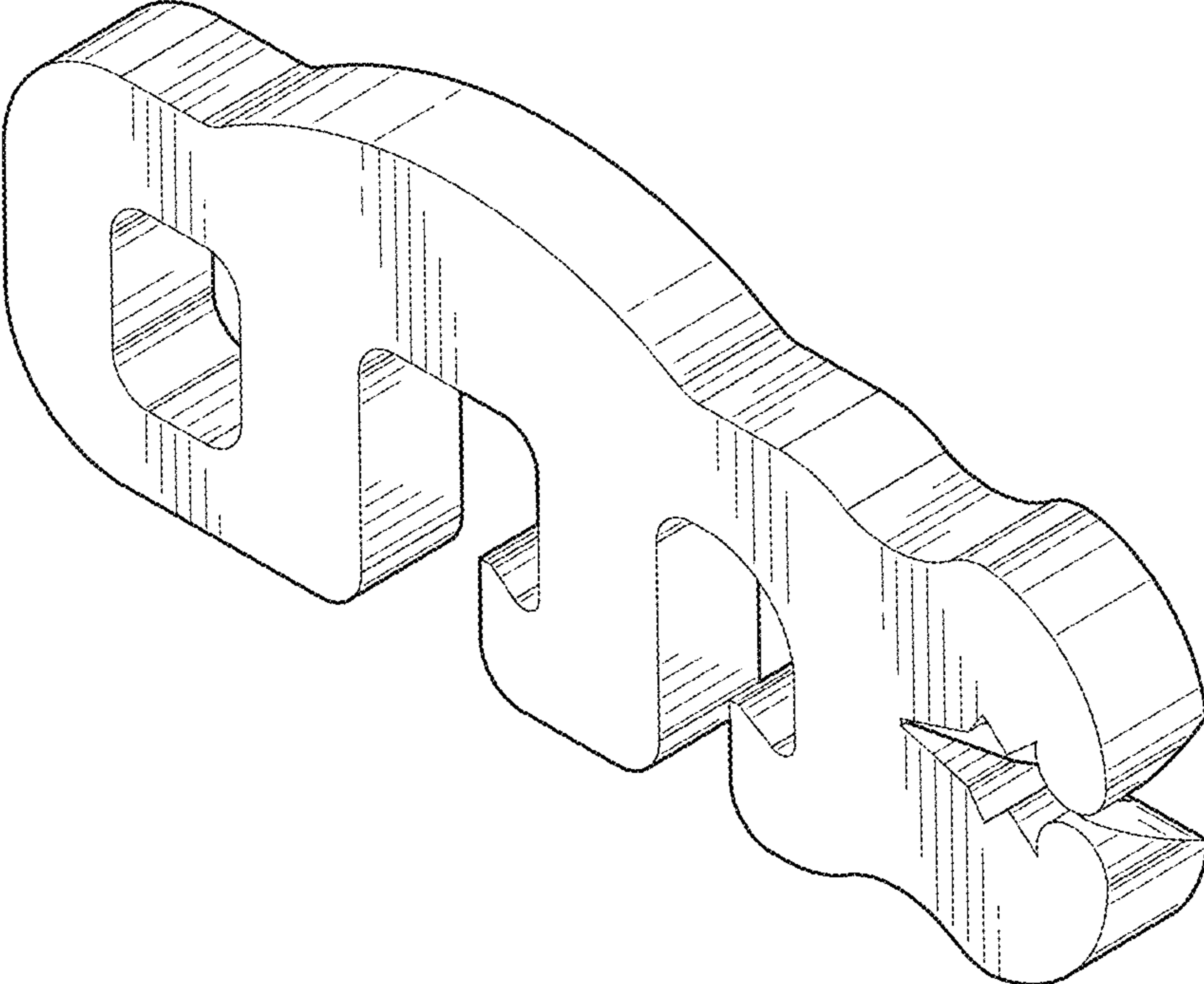


FIG. 1

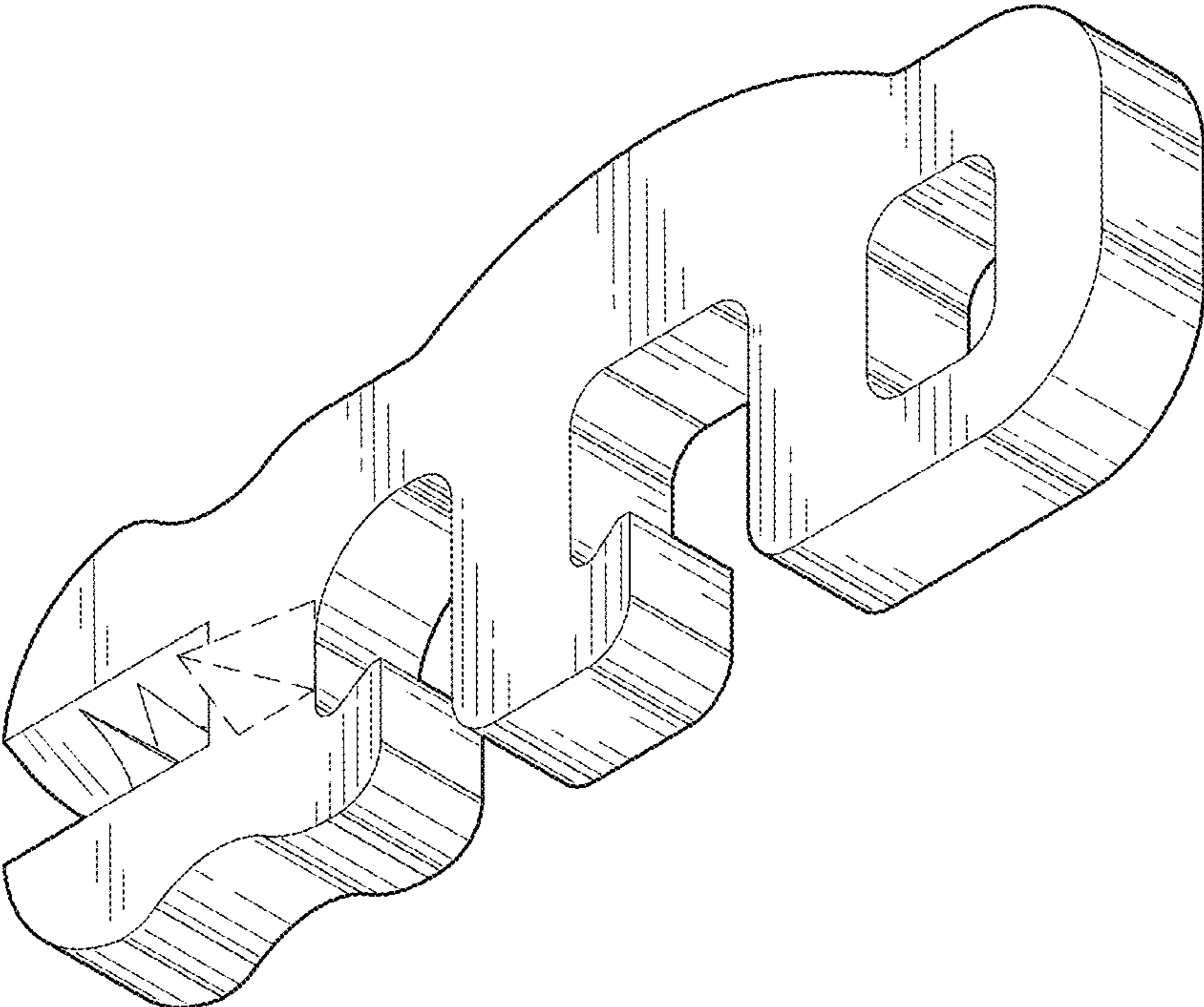


FIG. 2

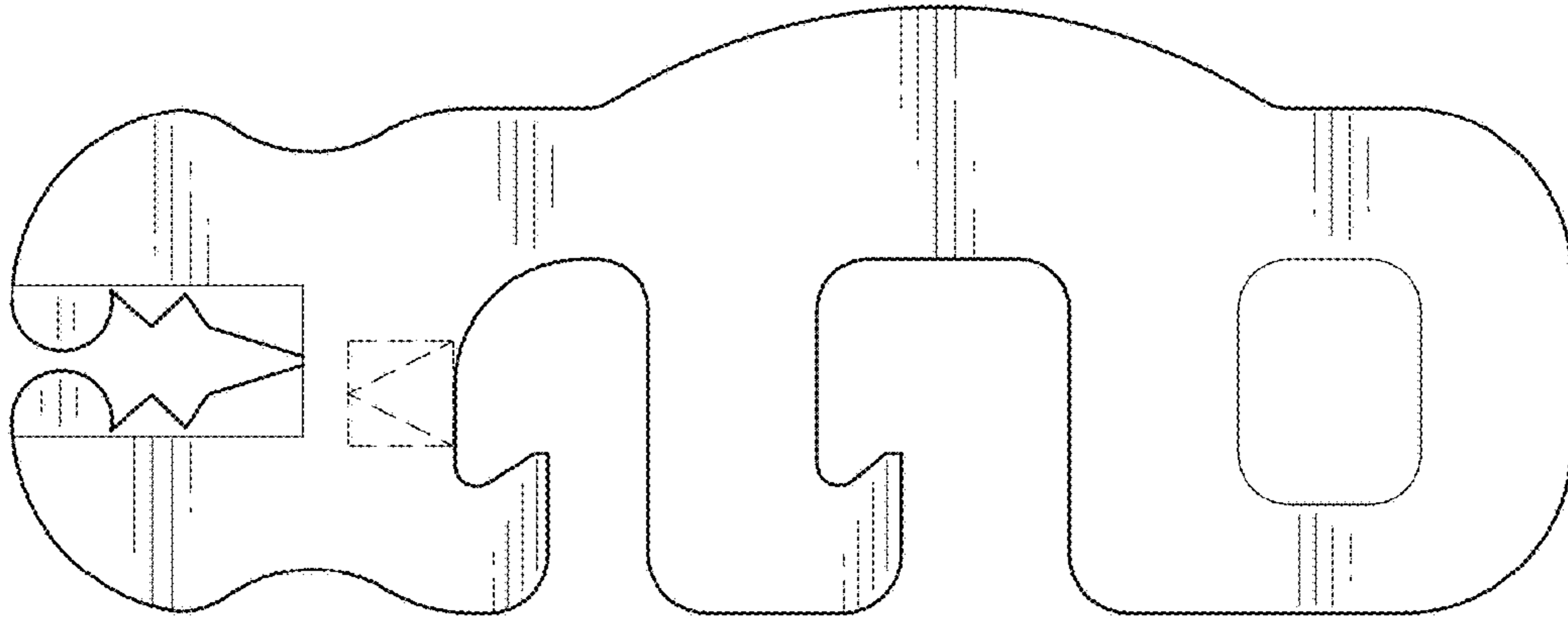


FIG. 3

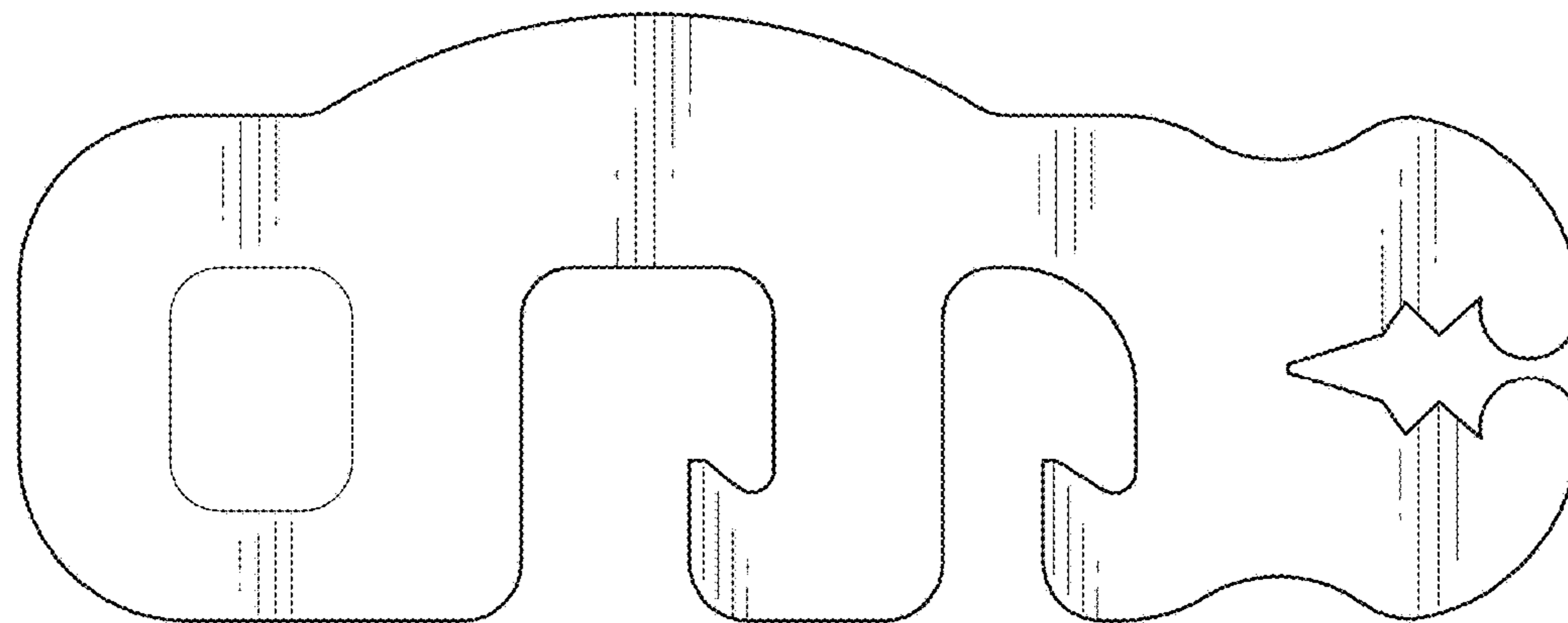


FIG. 4

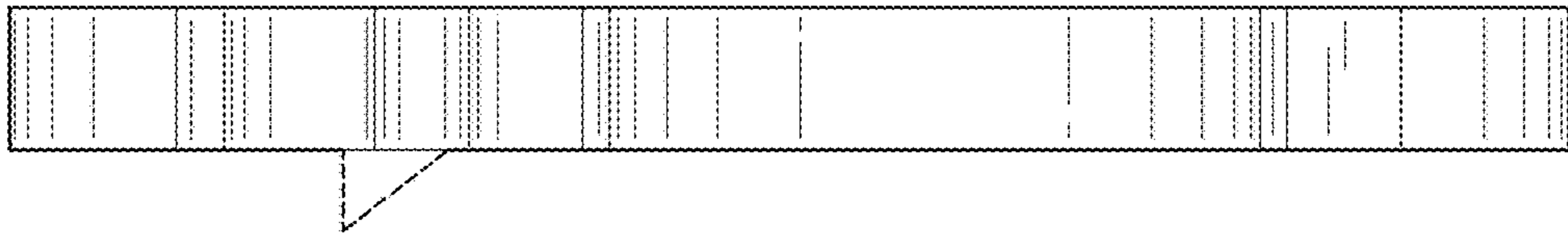


FIG. 5

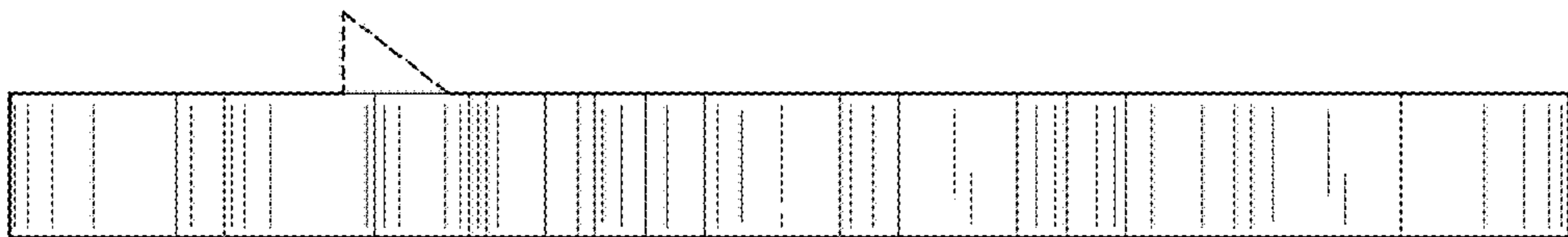


FIG. 6

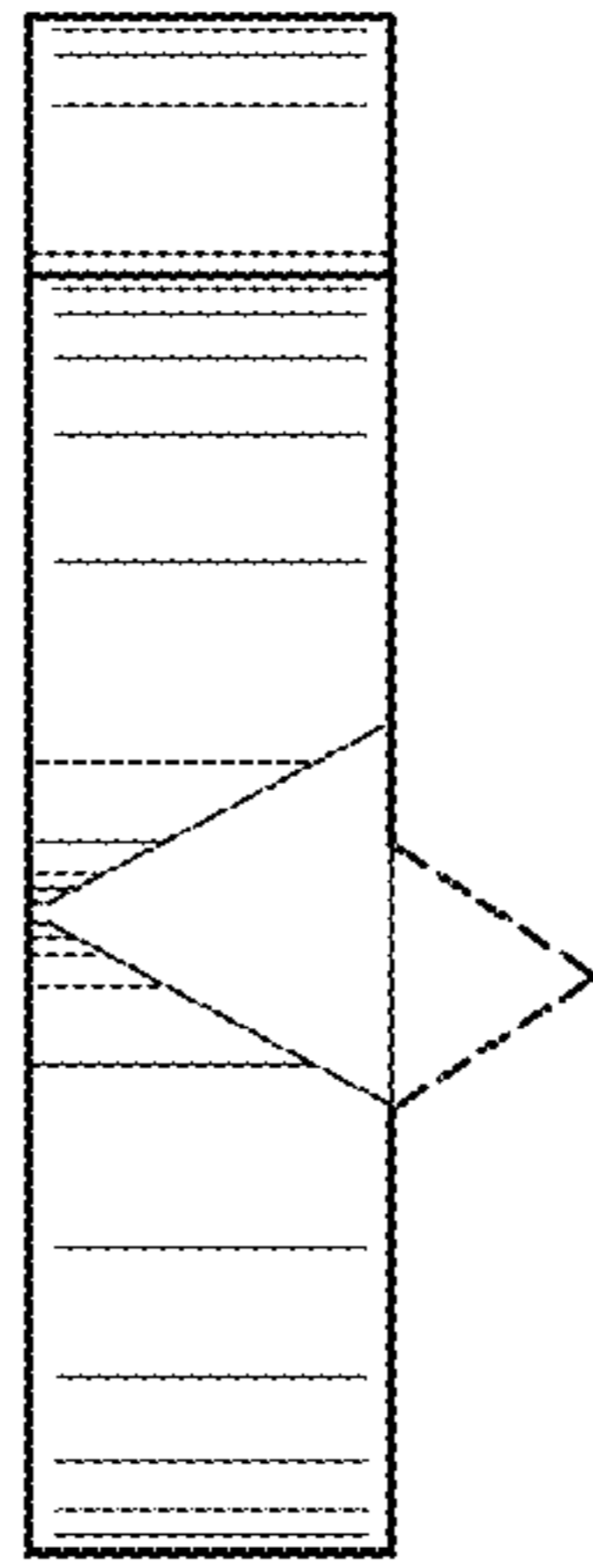


FIG. 7

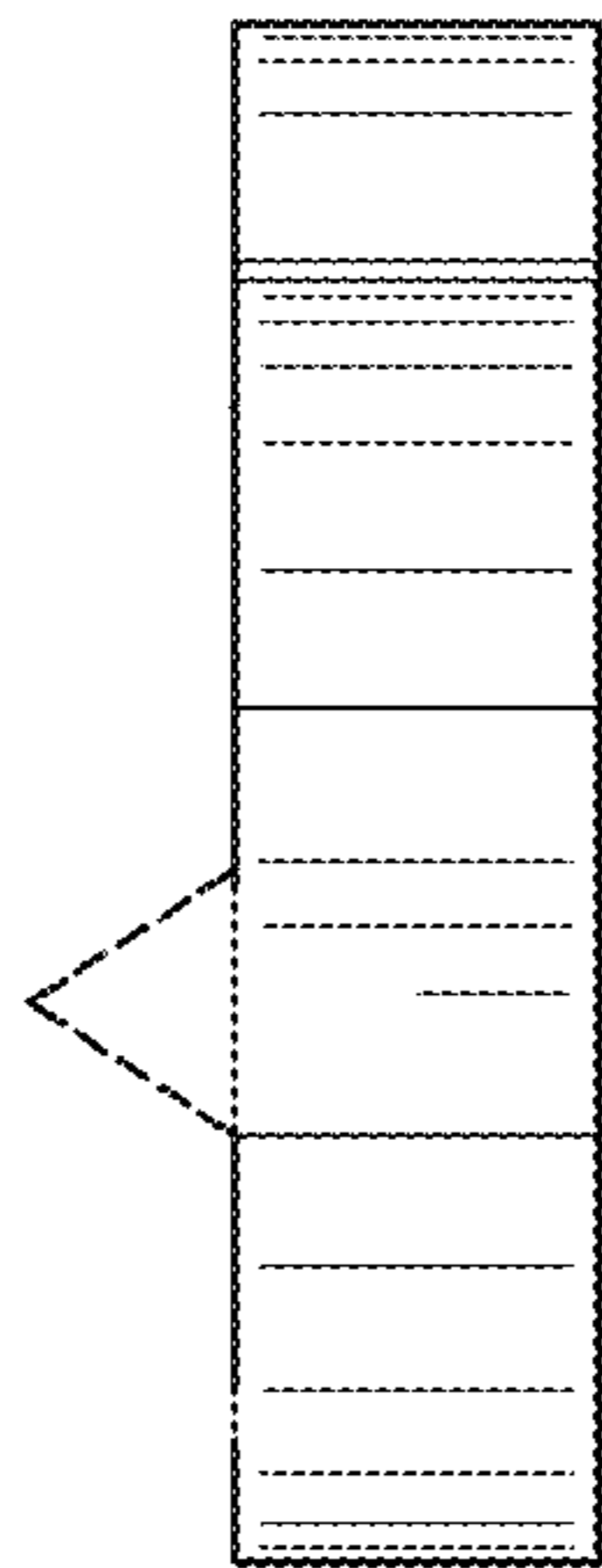


FIG. 8