

US00D827415S

(12) **United States Design Patent** (10) **Patent No.:** **US D827,415 S**  
**Macdonald et al.** (45) **Date of Patent:** **\*\* Sep. 4, 2018**

(54) **BOX PYRAMID PERIMETER STRIP FOR WALL PANEL SYSTEM**

(71) Applicant: **EXTERIOR WALL SYSTEMS LIMITED ONTARIO**, London (CA)

(72) Inventors: **Robert B. Macdonald**, London (CA);  
**Philip A. Macdonald**, London (CA);  
**Alexander K. Williams**, London (CA);  
**Jonathan W. Hoy**, London (CA)

(73) Assignee: **Exterior Wall Systems Limited**, London, Ontario

(\*\*) Term: **15 Years**

(21) Appl. No.: **29/592,503**

(22) Filed: **Jan. 31, 2017**

(51) **LOC (11) Cl.** ..... **08-08**

(52) **U.S. Cl.**  
USPC ..... **D8/349**; D25/124

(58) **Field of Classification Search**  
USPC ..... D8/349, 354, 382, 383, 384, 403;  
D25/113, 114, 119, 120–125, 131, 136,  
D25/199; D21/484, 486, 500, 501, 839,  
D21/468, 470, 471, 478, 479; D3/10  
CPC ... E04F 13/0826; E04F 13/12; E04F 13/0889;  
E04F 13/08; E04H 1/00  
See application file for complete search history.

(56) **References Cited**

**U.S. PATENT DOCUMENTS**

4,439,960	A	4/1984	Jenkins	
4,999,960	A	3/1991	Herwegh et al.	
D317,513	S *	6/1991	Miller	D13/155
5,067,293	A	11/1991	Reynolds	
5,094,051	A *	3/1992	Miller	E04F 13/0812 52/235
5,220,759	A	6/1993	Hossli	
5,226,274	A	7/1993	Sommerstein	

5,239,798	A	8/1993	Saito	
5,263,292	A	11/1993	Holland et al.	
5,301,484	A	4/1994	Jansson	
5,379,561	A	1/1995	Saito	
D360,267	S	7/1995	DiGiorgio	
5,522,193	A	6/1996	Sommerstein et al.	
D373,200	S	8/1996	Colitto	
D379,242	S	5/1997	Lin	
D388,887	S	1/1998	Hersh et al.	
D397,452	S *	8/1998	Franson	D25/124
D400,080	S	10/1998	Beard, Jr.	

(Continued)

**OTHER PUBLICATIONS**

Screen shots taken from [www.keithpanel.com](http://www.keithpanel.com) (Keith Panel Systems), accessed Mar. 6, 2017.

(Continued)

*Primary Examiner* — Jennifer Rivard

*Assistant Examiner* — Alson M Ofstun

(74) *Attorney, Agent, or Firm* — Peter L. Brewer; Thrive IP

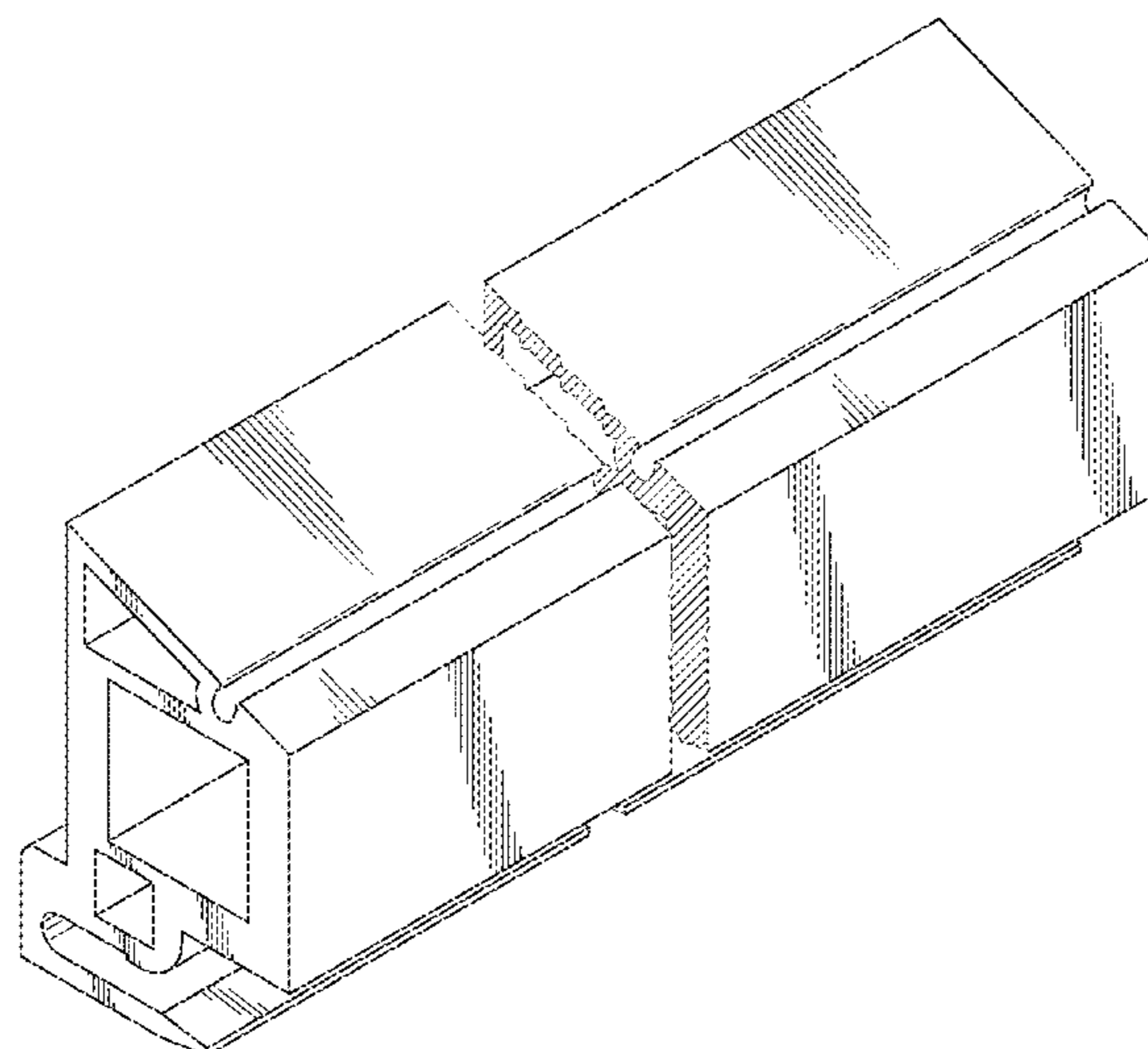
(57) **CLAIM**

The ornamental design for a box pyramid perimeter strip for wall panel system, as shown and described.

**DESCRIPTION**

FIG. 1 is a perspective view of a box pyramid perimeter strip for wall panel system, showing our new design.  
FIG. 2 is a front elevation view thereof.  
FIG. 3 is a rear elevation view thereof.  
FIG. 4 is a left side elevation view thereof.  
FIG. 5 is a right side elevation view thereof.  
FIG. 6 is a top plan view thereof; and,  
FIG. 7 is a bottom plan view thereof.  
The article is shown with a symbolic break in its length. The appearance of any portion of the article between the break lines forms no part of the claimed design.

**1 Claim, 3 Drawing Sheets**



(56)

References Cited

U.S. PATENT DOCUMENTS

D405,197 S 2/1999 Arcati et al.  
 D417,737 S 12/1999 Stansfield  
 D423,910 S 5/2000 Cyrell  
 6,065,259 A 5/2000 Clear  
 D429,347 S 8/2000 Doyle et al.  
 D432,675 S \* 10/2000 Grosfillex ..... D25/124  
 D437,945 S \* 2/2001 Mast ..... D25/199  
 D457,052 S \* 5/2002 Snyder ..... D8/349  
 D461,014 S 7/2002 Marshall  
 6,427,408 B1 8/2002 Krieger  
 6,484,465 B2 11/2002 Higgins  
 6,748,709 B1 6/2004 Sherman et al.  
 D496,248 S 9/2004 Liebendorfer  
 D501,936 S 2/2005 Kim  
 D541,955 S \* 5/2007 Simko ..... D25/125  
 D561,353 S \* 2/2008 Antonic ..... D25/122  
 D619,447 S 7/2010 Liu  
 D619,880 S 7/2010 MacDonald et al.  
 D626,663 S 11/2010 Stephens  
 8,166,716 B2 5/2012 Macdonald et al.  
 D662,805 S 7/2012 Macdonald et al.  
 D666,321 S 8/2012 Morton  
 D666,328 S \* 8/2012 Morton ..... D25/122  
 D666,329 S \* 8/2012 Morton ..... D25/122  
 D675,046 S 1/2013 Kloppers  
 D692,592 S 10/2013 Kosonen

8,595,996 B2 12/2013 Korman et al.  
 8,745,941 B2 6/2014 Macdonald et al.  
 D718,888 S 12/2014 Schwarz et al.  
 D731,677 S 6/2015 Bernier  
 D732,207 S \* 6/2015 Campbell ..... D25/124  
 9,068,358 B2 6/2015 Macdonald et al.  
 D736,958 S 8/2015 Chaney et al.  
 D744,667 S 12/2015 Macdonald et al.  
 D745,192 S 12/2015 Suciu et al.  
 D760,403 S 6/2016 Bilge  
 D767,786 S 9/2016 Smith  
 D775,373 S \* 12/2016 Veerasawmy ..... D25/124  
 D777,948 S \* 1/2017 Veerasawmy ..... D25/119  
 D778,465 S 2/2017 Zombek  
 D809,704 S \* 2/2018 Klus ..... D26/142  
 D815,308 S \* 4/2018 Schuit ..... D25/124  
 2007/0119105 A1 5/2007 MacDonald et al.  
 2015/0300027 A1 \* 10/2015 Day ..... E04F 13/0862  
 52/489.1

OTHER PUBLICATIONS

Screen shots taken from [www.dri-design.com](http://www.dri-design.com) (Dri-Design Wall Panel System), accessed Mar. 6, 2017.

Screen shots taken from [www.elward.com](http://www.elward.com) (Elward Systems Corporation), accessed Mar. 6, 2017.

\* cited by examiner

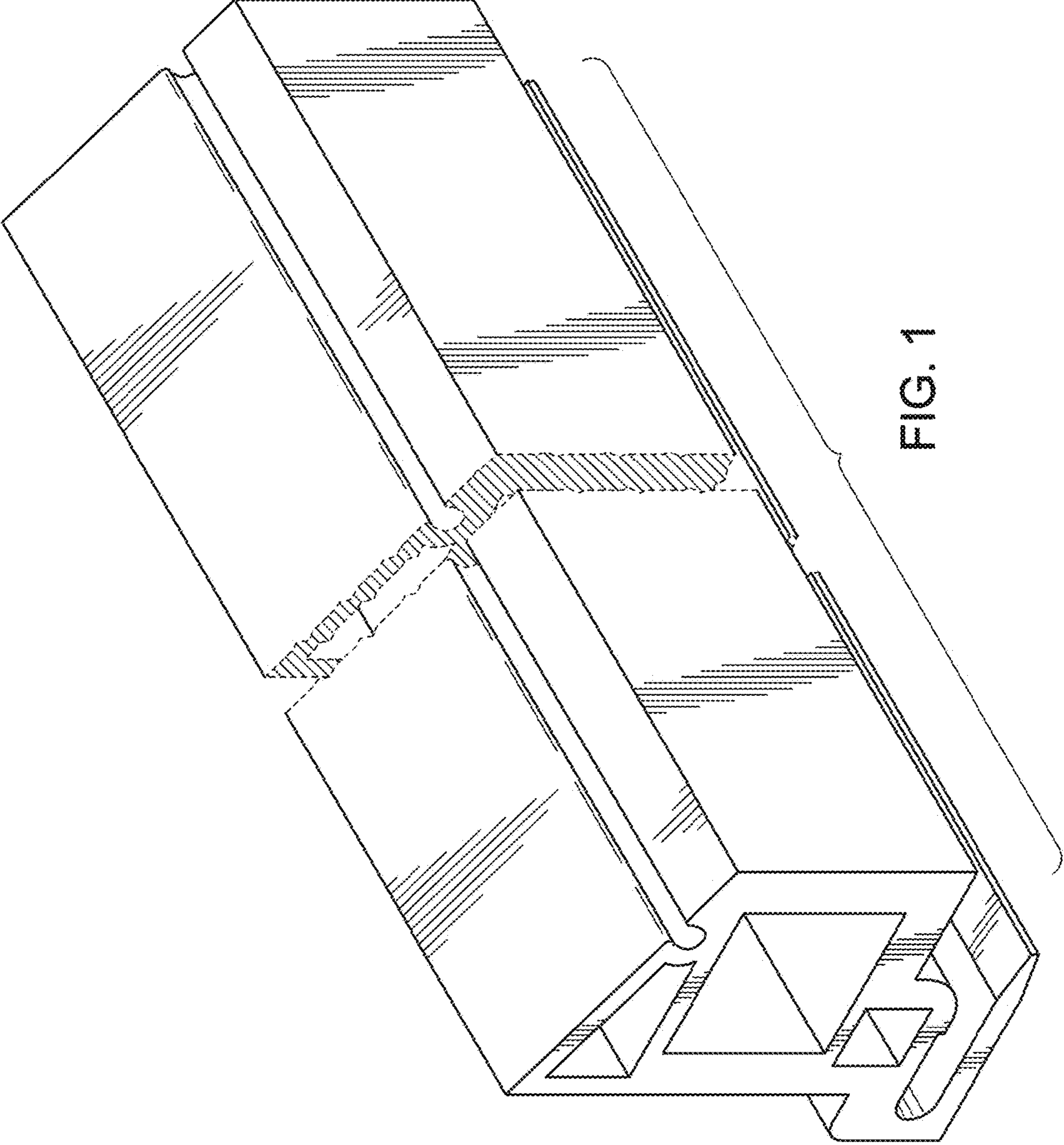


FIG. 1

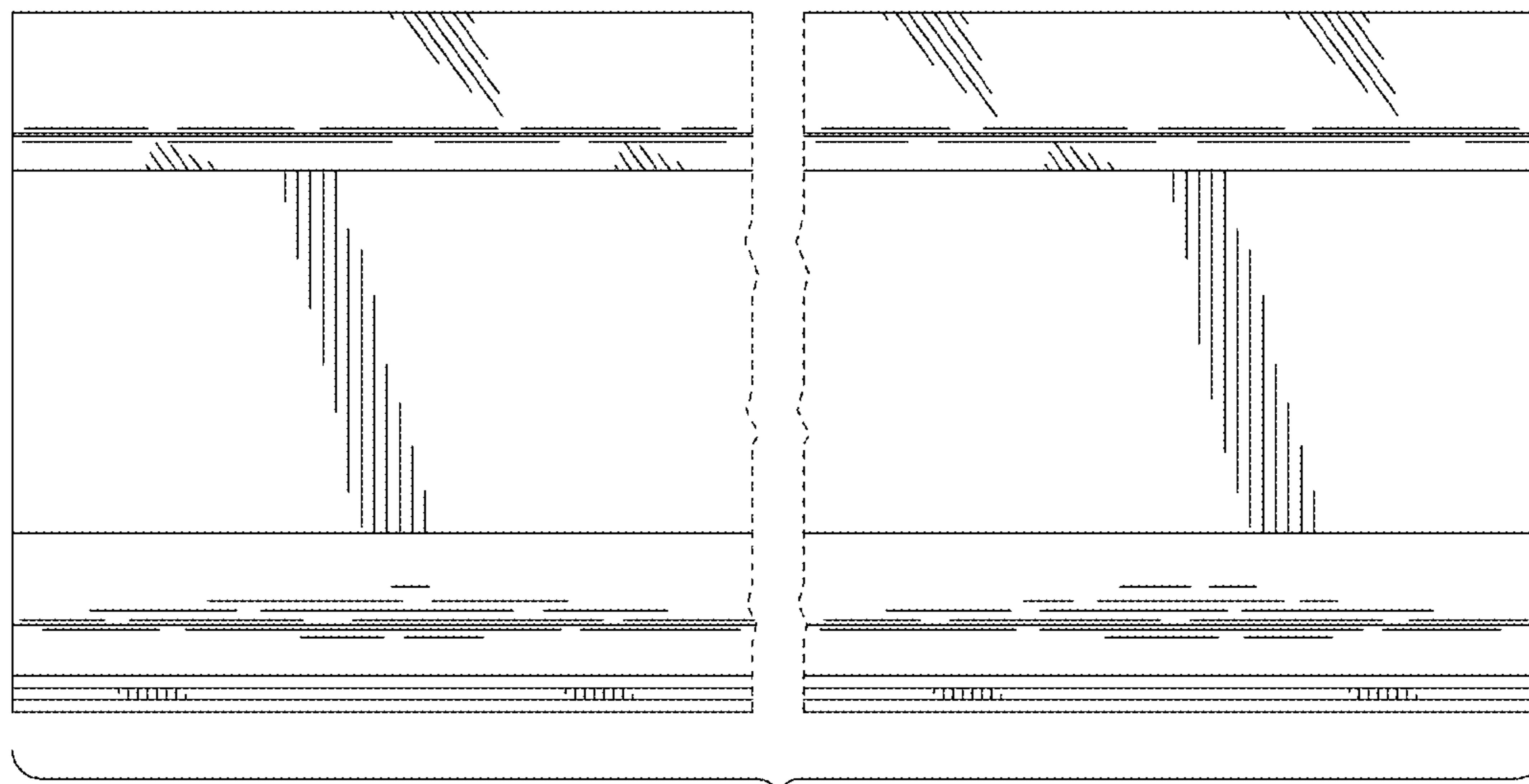


FIG. 2

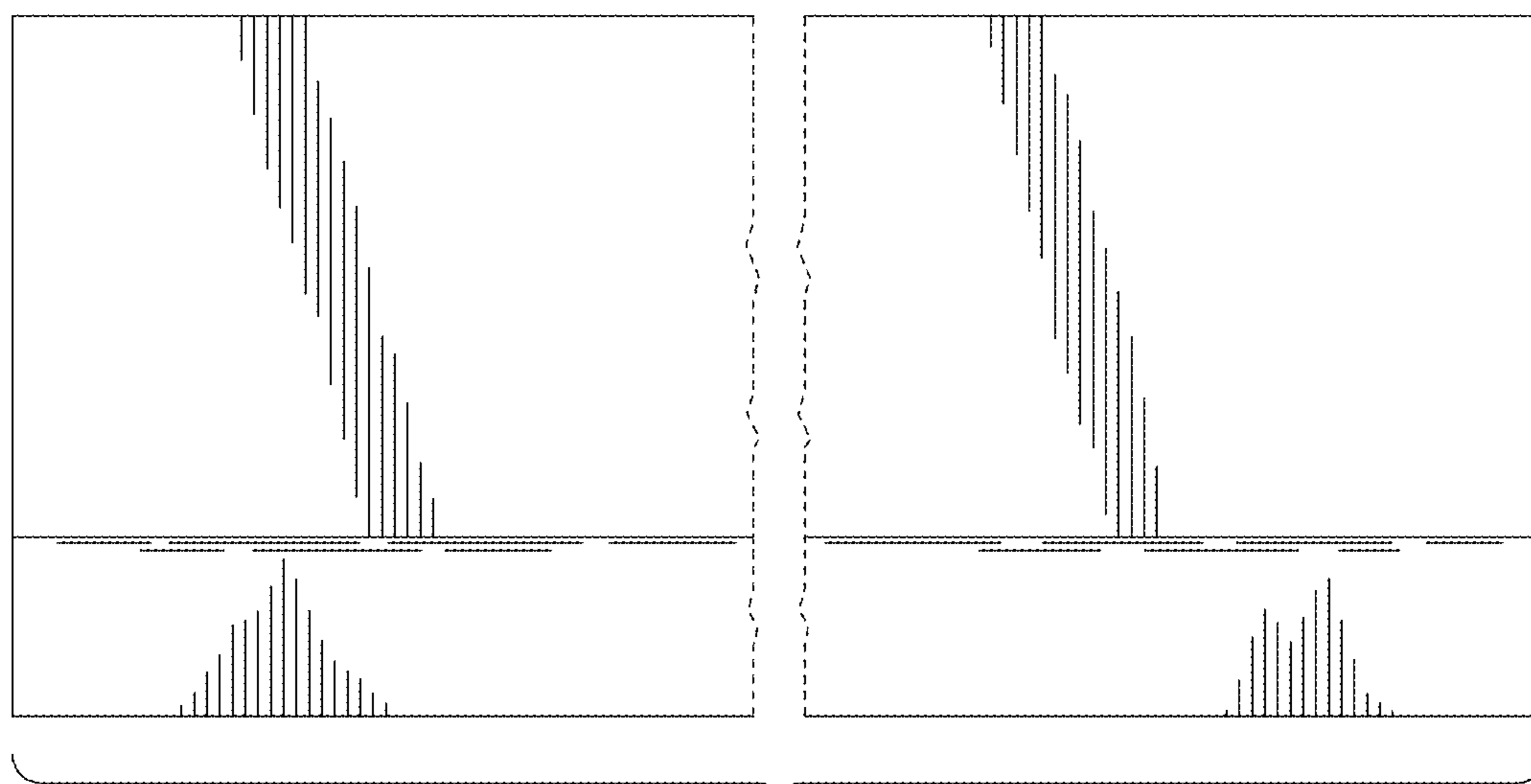


FIG. 3

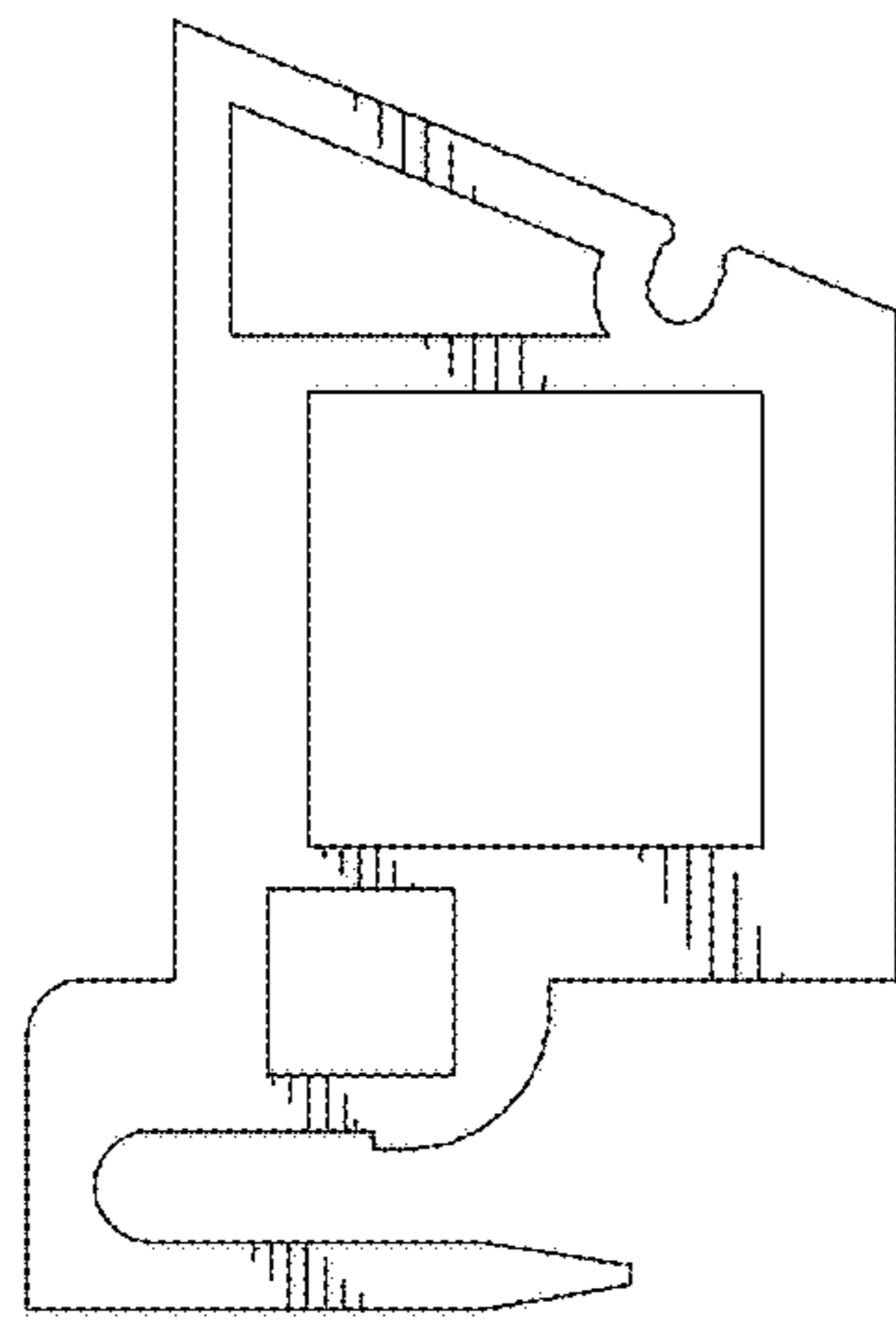


FIG. 4

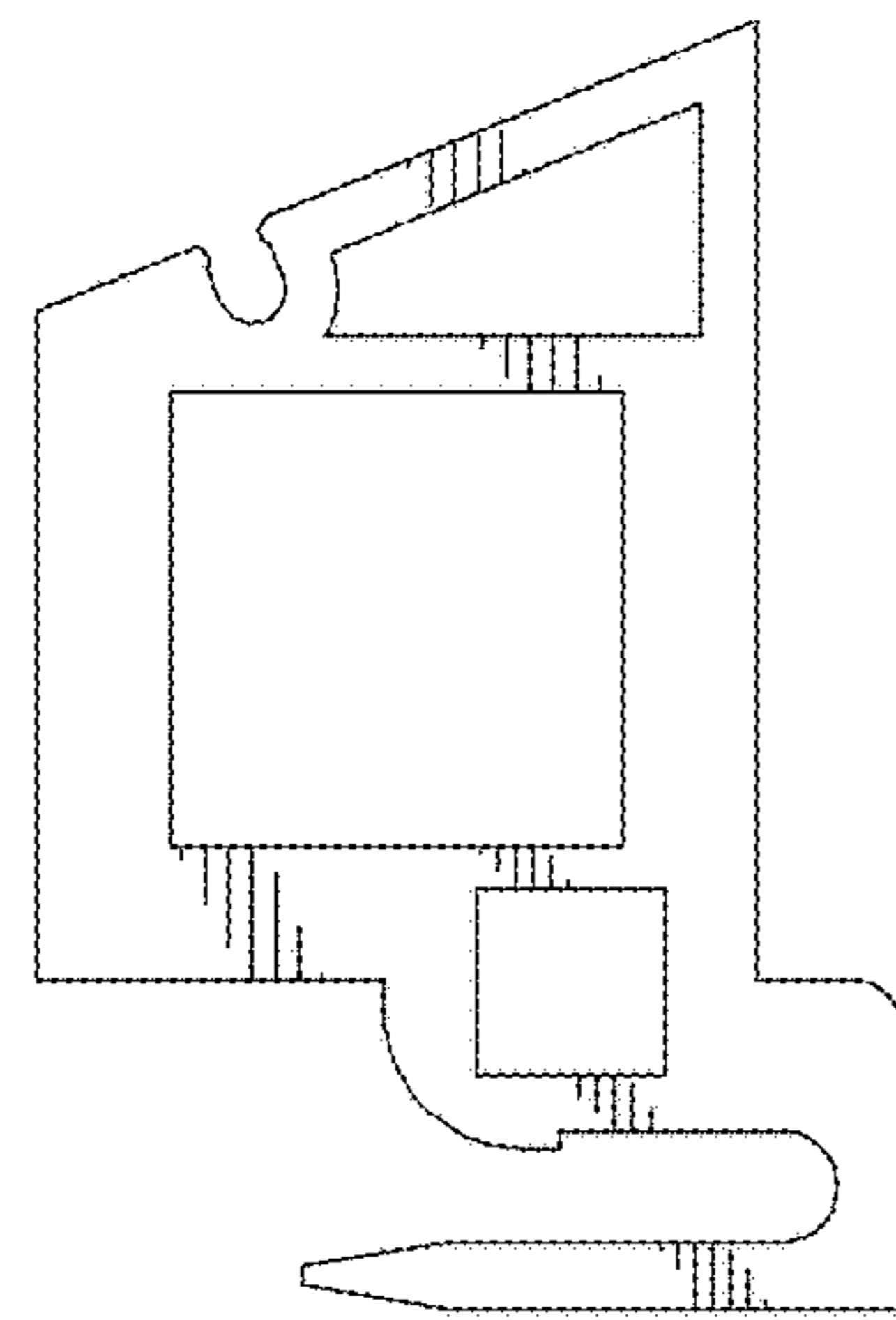


FIG. 5

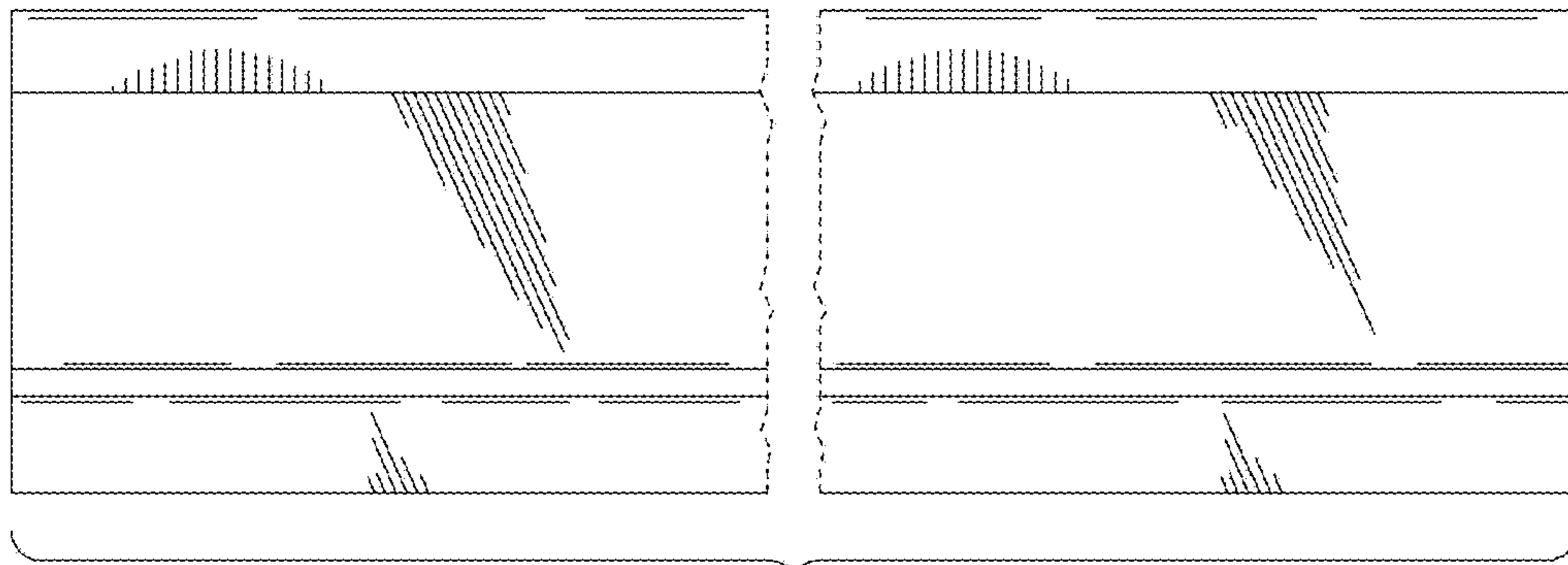


FIG. 6

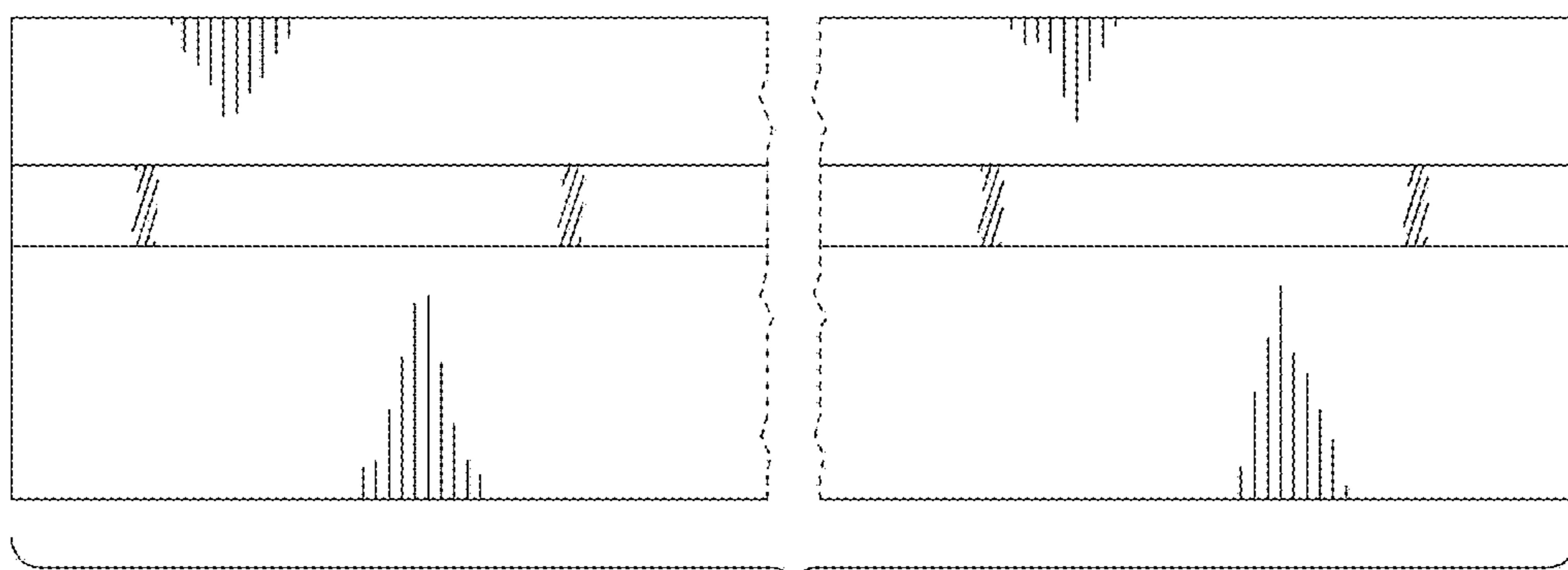


FIG. 7