



US00D827414S

(12) **United States Design Patent**
Macdonald et al.

(10) **Patent No.:** **US D827,414 S**
(45) **Date of Patent:** **** Sep. 4, 2018**

(54) **PYRAMID CORNER CONNECTOR FOR WALL PANEL SYSTEM**

3,424,178 A * 1/1969 Yazaki A01G 9/16
135/157

(71) Applicant: **EXTERIOR WALL SYSTEMS LIMITED ONTARIO**
PANELIZATION, London (CA)

4,439,960 A 4/1984 Jenkins
4,999,960 A 3/1991 Herwegh et al.
5,067,293 A 11/1991 Reynolds
5,220,759 A 6/1993 Hossli
5,226,274 A 7/1993 Sommerstein
5,239,798 A 8/1993 Saito
5,263,292 A 11/1993 Holland et al.
5,301,484 A 4/1994 Jansson
5,379,561 A 1/1995 Saito
D360,267 S 7/1995 DiGiorgio
5,522,193 A 6/1996 Sommerstein et al.

(72) Inventors: **Robert B. Macdonald**, London (CA);
Philip A. Macdonald, London (CA);
Alexander K. Williams, London (CA);
Jonathan W. Hoy, London (CA)

(73) Assignee: **Exterior Wall Systems Limited**,
London, Ontario

(Continued)

(**) Term: **15 Years**

(21) Appl. No.: **29/592,489**

(22) Filed: **Jan. 31, 2017**

(51) **LOC (11) Cl.** **08-08**

(52) **U.S. Cl.**
USPC **D8/349**

(58) **Field of Classification Search**
USPC D8/349, 354, 382, 383, 384, 403;
D25/113, 114, 119, 120-125, 131, 136,
D25/199; D21/484, 486, 500, 501, 839,
D21/468, 470, 471, 478, 479; D3/10
CPC ... E04F 13/0826; E04F 13/12; E04F 13/0889;
E04F 13/08; E04H 1/00; E04B
2001/5856; Y10T 403/349; Y10T
403/341; Y10T 403/347
See application file for complete search history.

(56) **References Cited**

U.S. PATENT DOCUMENTS

D174,951 S * 6/1955 Frishberg 446/111
2,869,692 A * 1/1959 Hassett B01D 46/10
446/127
2,926,941 A * 3/1960 Thompson A47B 47/0008
403/173

OTHER PUBLICATIONS

Screen shots taken from www.keithpanel.com (Keith Panel Systems), accessed Mar. 6, 2017.

(Continued)

Primary Examiner — Jennifer Rivard

Assistant Examiner — Alison M Ofstun

(74) *Attorney, Agent, or Firm* — Peter L. Brewer; Thrive IP

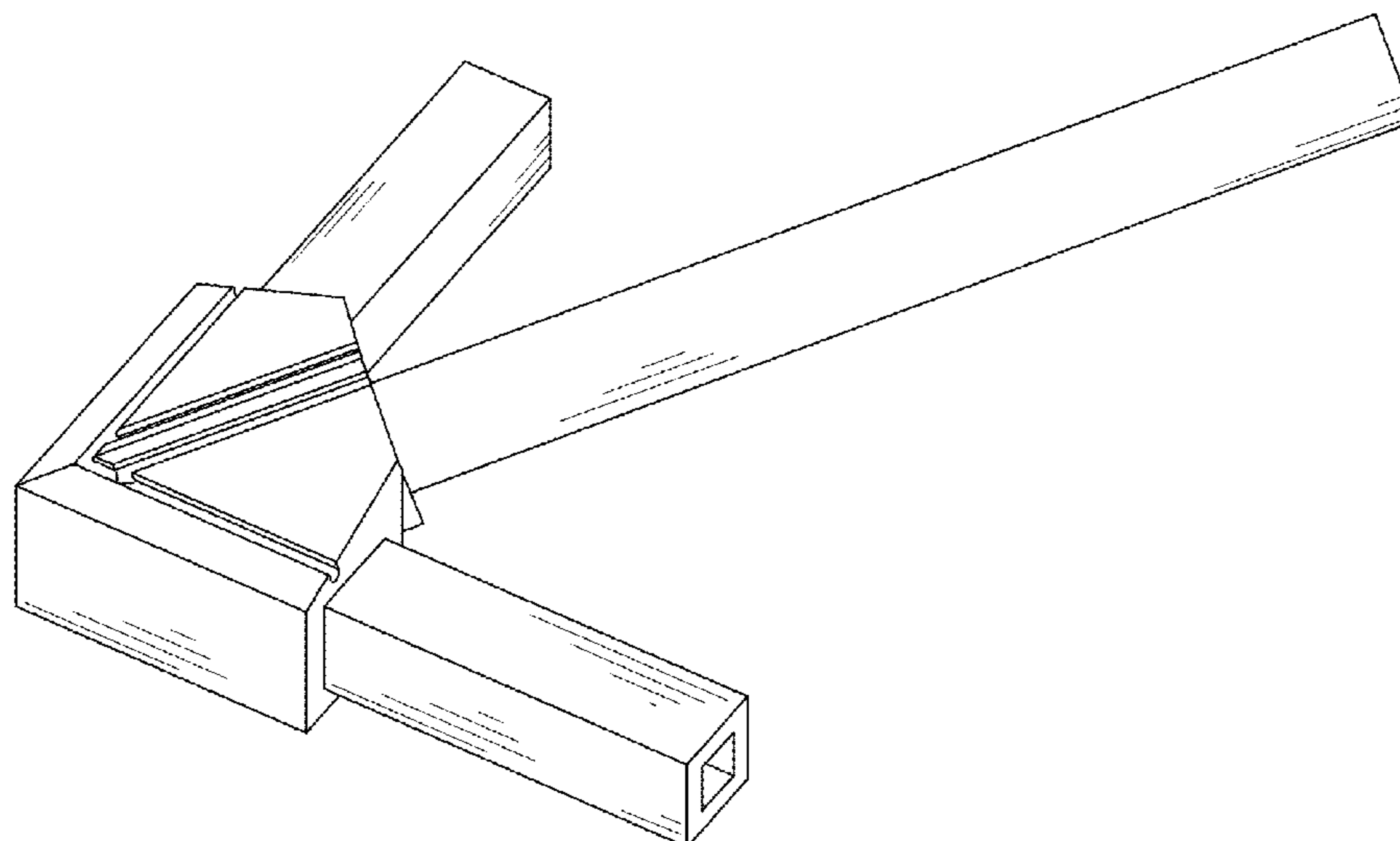
(57) **CLAIM**

The ornamental design for a pyramid corner connector for wall panel system, as shown and described.

DESCRIPTION

FIG. 1 is a first perspective view of a pyramid corner connector for a wall panel system showing our new design. FIG. 2 is a second perspective view thereof. FIG. 3 is a front plan view thereof. FIG. 4 is a rear plan view thereof. FIG. 5 is a top plan view thereof. FIG. 6 is a bottom plan view thereof. FIG. 7 is a right side elevation view thereof; and, FIG. 8 is a left side elevation view thereof.

1 Claim, 4 Drawing Sheets



(56)

References Cited

U.S. PATENT DOCUMENTS

D373,200 S 8/1996 Colitto
 5,556,218 A * 9/1996 Homer E04B 1/5831
 403/170
 5,590,974 A * 1/1997 Yang A47B 47/005
 403/171
 D379,242 S 5/1997 Lin
 5,690,446 A * 11/1997 Poissant A63H 33/10
 403/169
 D388,887 S 1/1998 Hersh et al.
 D400,080 S 10/1998 Beard, Jr.
 D405,197 S 2/1999 Arcati et al.
 D409,083 S * 5/1999 Bernstein D8/382
 D417,737 S 12/1999 Stansfield
 D423,910 S 5/2000 Cyrell
 D425,402 S * 5/2000 Welborn D8/354
 6,065,259 A 5/2000 Clear
 D429,347 S 8/2000 Doyle et al.
 D461,014 S 7/2002 Marshall
 6,427,408 B1 8/2002 Krieger
 6,484,465 B2 11/2002 Higgins
 6,748,709 B1 6/2004 Sherman et al.
 D496,248 S 9/2004 Liebendorfer
 D501,936 S 2/2005 Kim
 D619,447 S 7/2010 Liu
 D619,880 S 7/2010 MacDonald et al.
 D622,864 S * 8/2010 Bajrami D25/35
 D626,663 S 11/2010 Stephens
 8,166,716 B2 5/2012 Macdonald et al.

D662,805 S 7/2012 Macdonald et al.
 D666,321 S 8/2012 Morton
 D675,046 S 1/2013 Kloppers
 D692,592 S 10/2013 Kosonen
 8,595,996 B2 12/2013 Korman et al.
 8,745,941 B2 6/2014 Macdonald et al.
 D718,888 S 12/2014 Schwarz et al.
 D731,298 S * 6/2015 Therrien D8/382
 D731,677 S 6/2015 Bernier
 9,068,358 B2 6/2015 Macdonald et al.
 D733,543 S * 7/2015 White D8/382
 D736,958 S 8/2015 Chaney et al.
 9,163,394 B1 * 10/2015 Barker E04H 6/025
 D744,319 S * 12/2015 White D8/354
 D745,192 S 12/2015 Macdonald et al.
 D745,192 S 12/2015 Suciu et al.
 D756,202 S * 5/2016 Leduc D8/354
 D760,403 S 6/2016 Bilge
 D767,786 S 9/2016 Smith
 D775,512 S * 1/2017 White D8/354
 D778,465 S 2/2017 Zombek
 D783,390 S * 4/2017 Nelson D8/349
 2007/0119105 A1 5/2007 MacDonald et al.

OTHER PUBLICATIONS

Screen shots taken from www.dri-design.com (Dri-Design Wall Panel System), accessed Mar. 6, 2017.
 Screen shots taken from www.elward.com (Elward Systems Corporation), accessed Mar. 6, 2016.

* cited by examiner

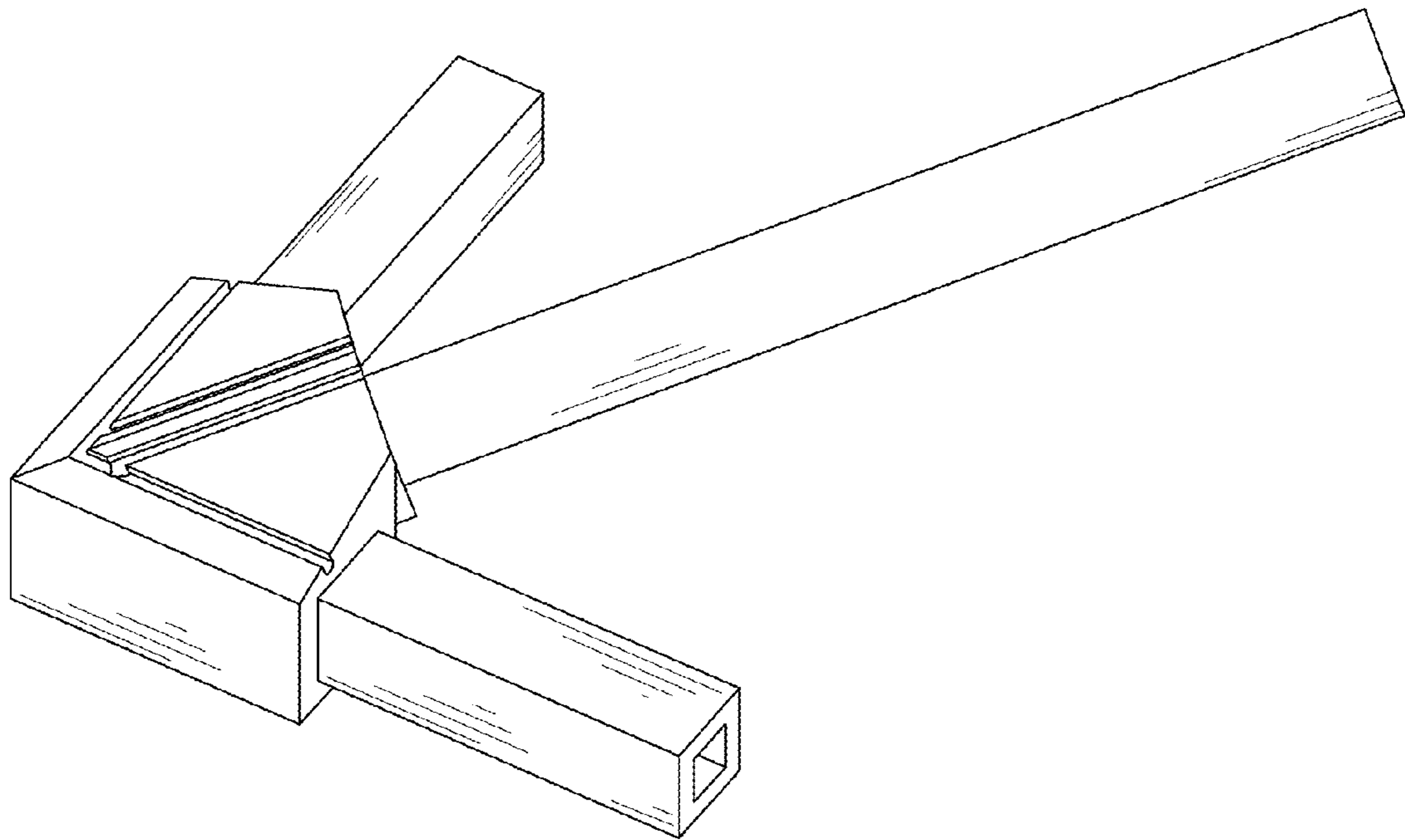


FIG. 1

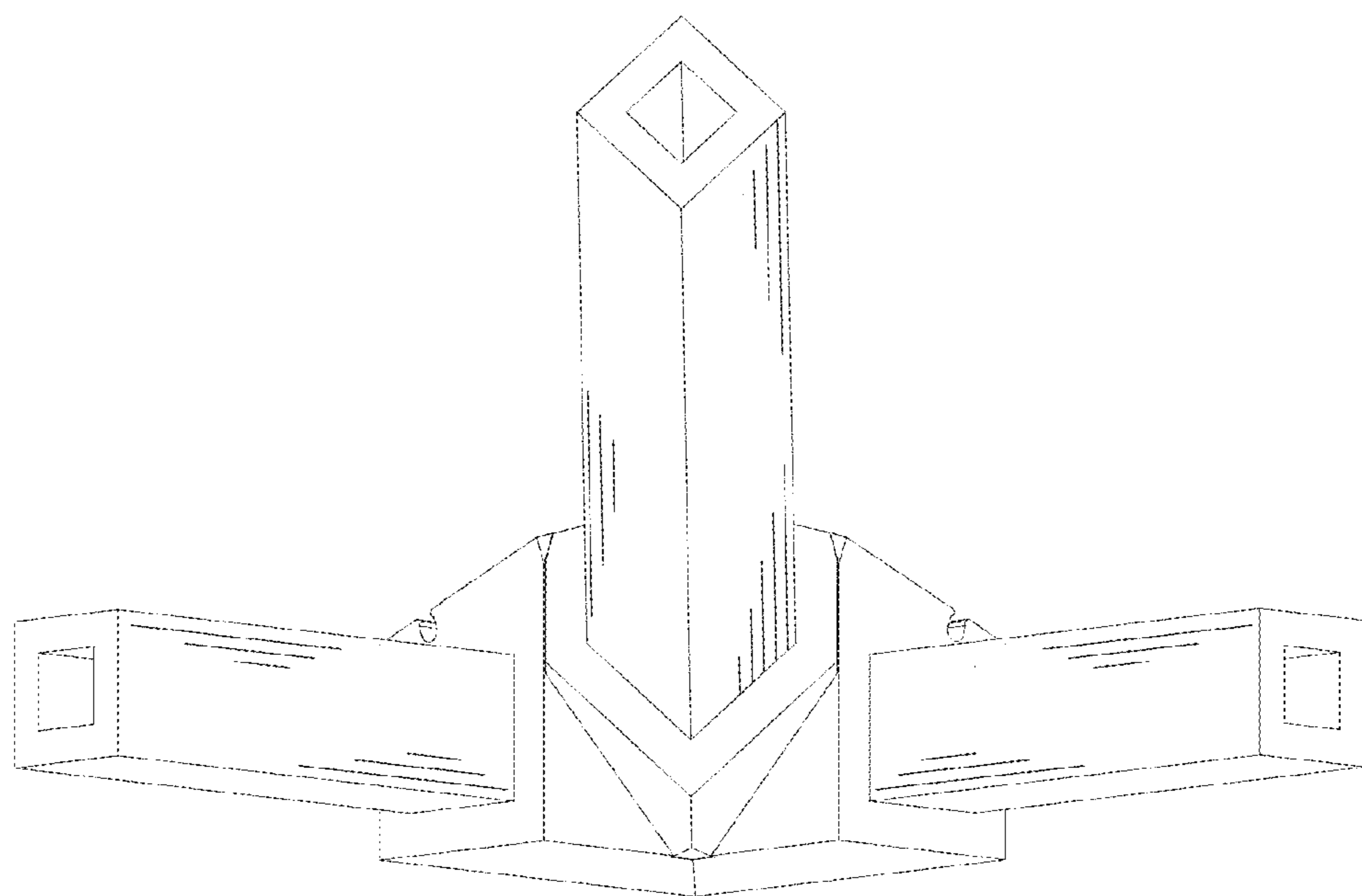


FIG. 2

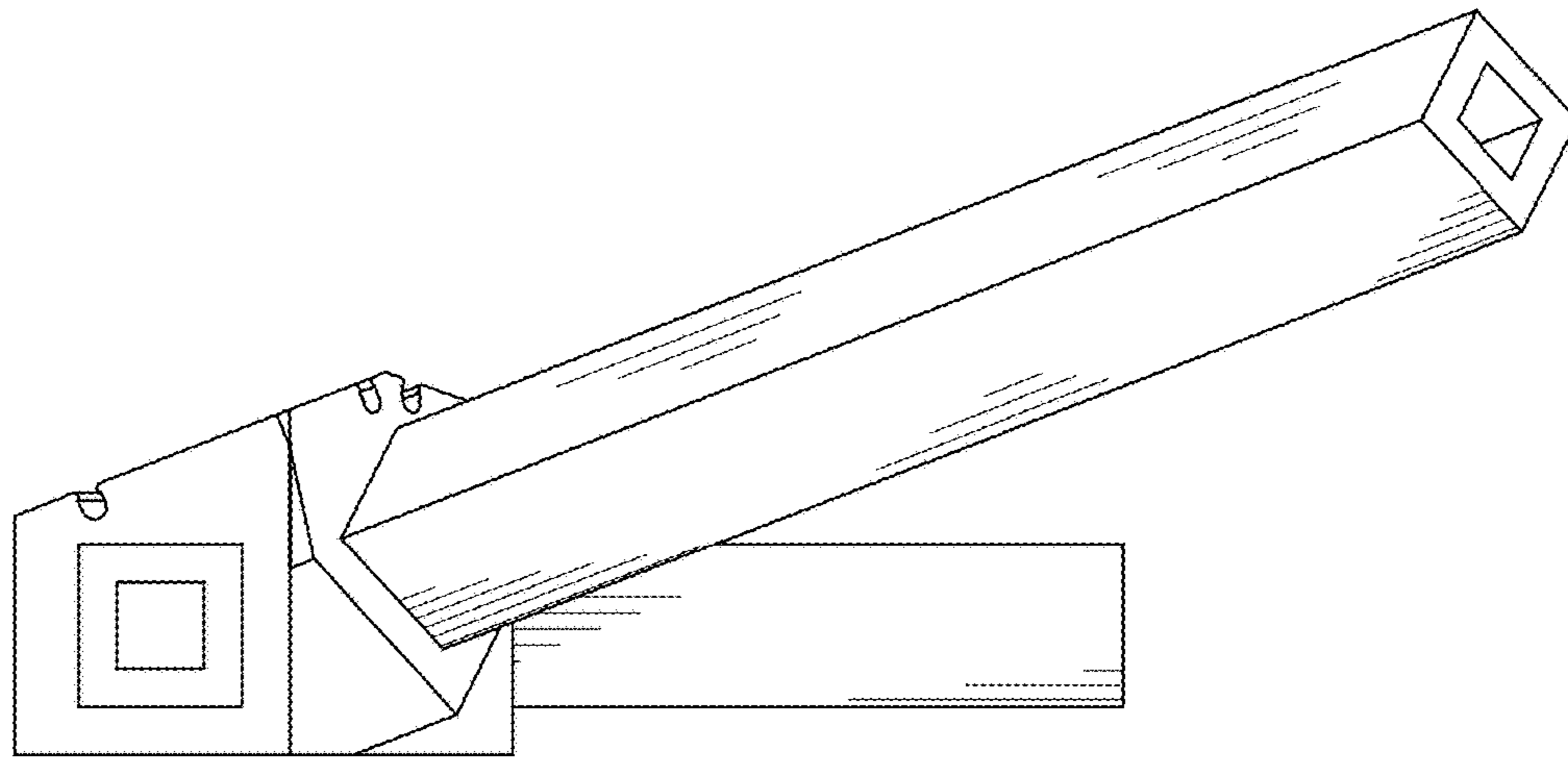


FIG. 3

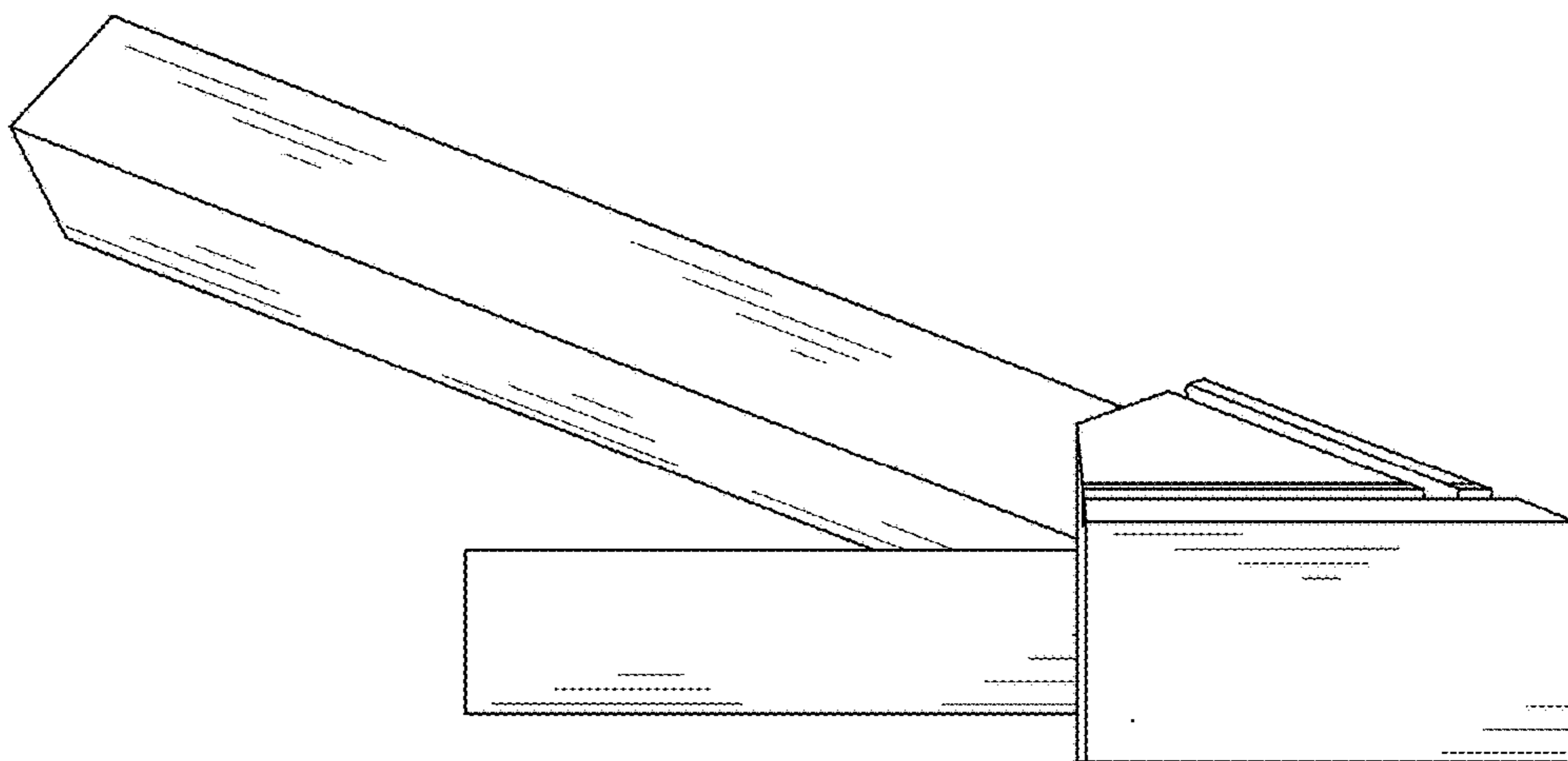


FIG. 4

FIG. 5

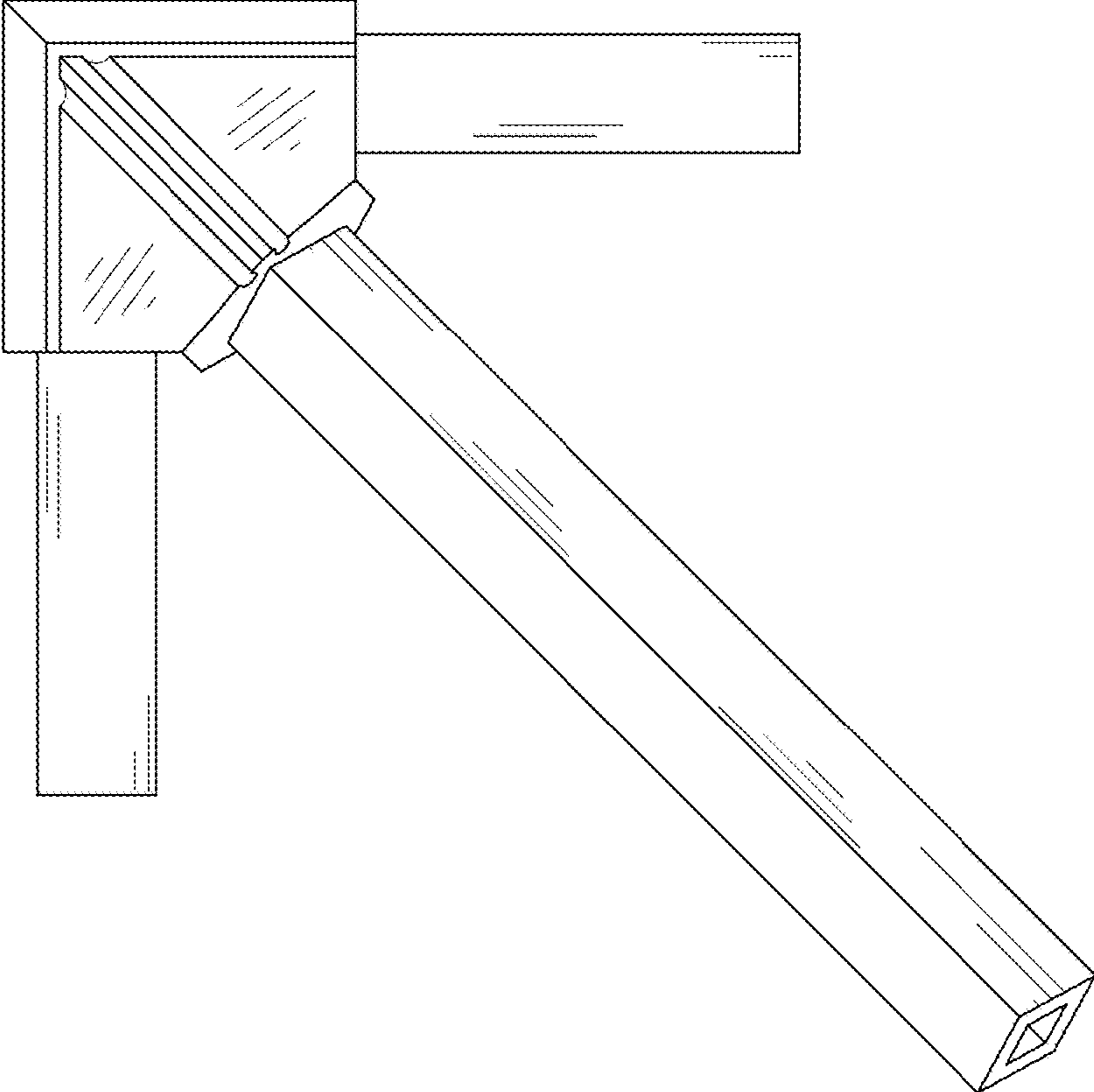
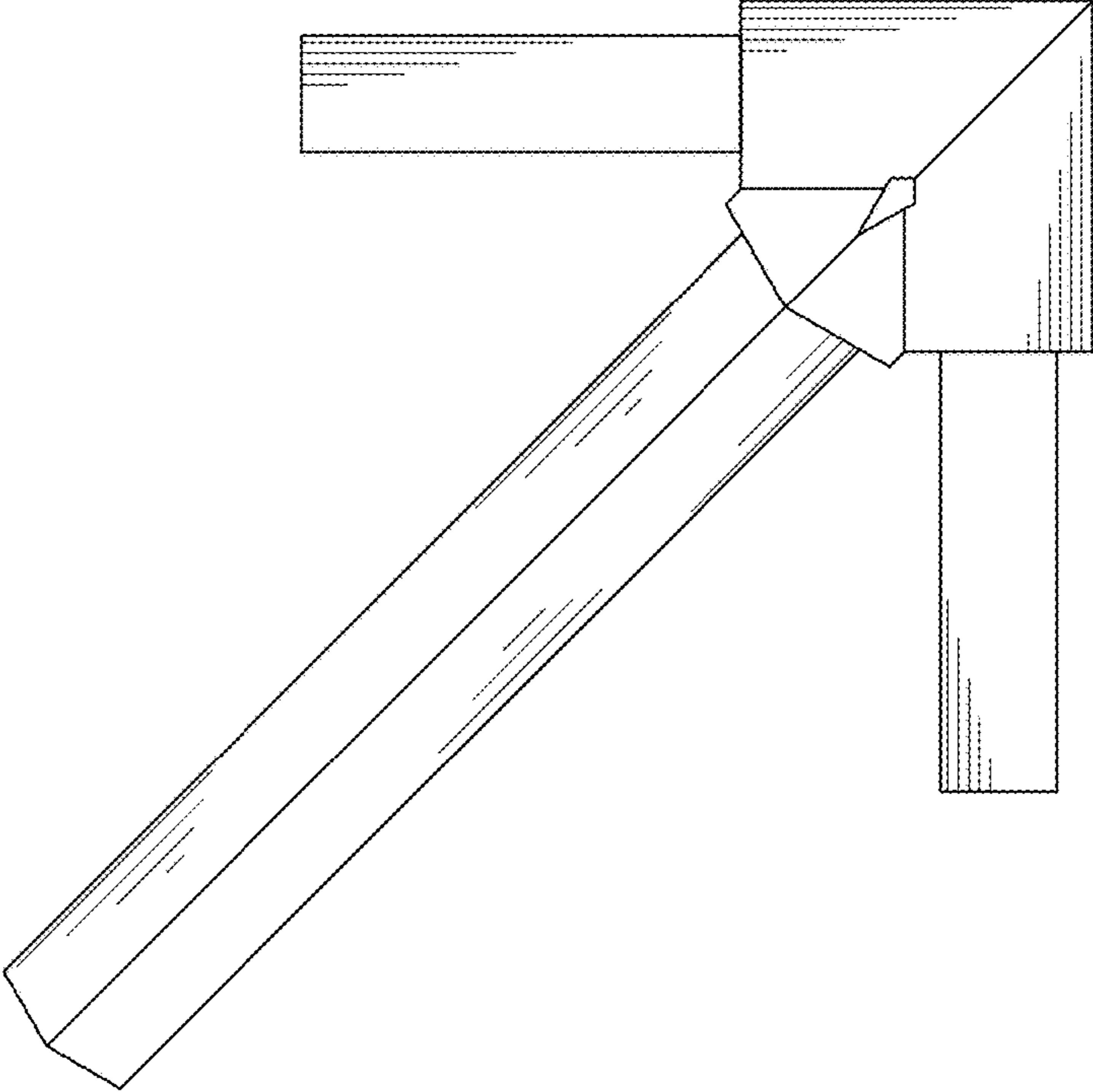


FIG. 6



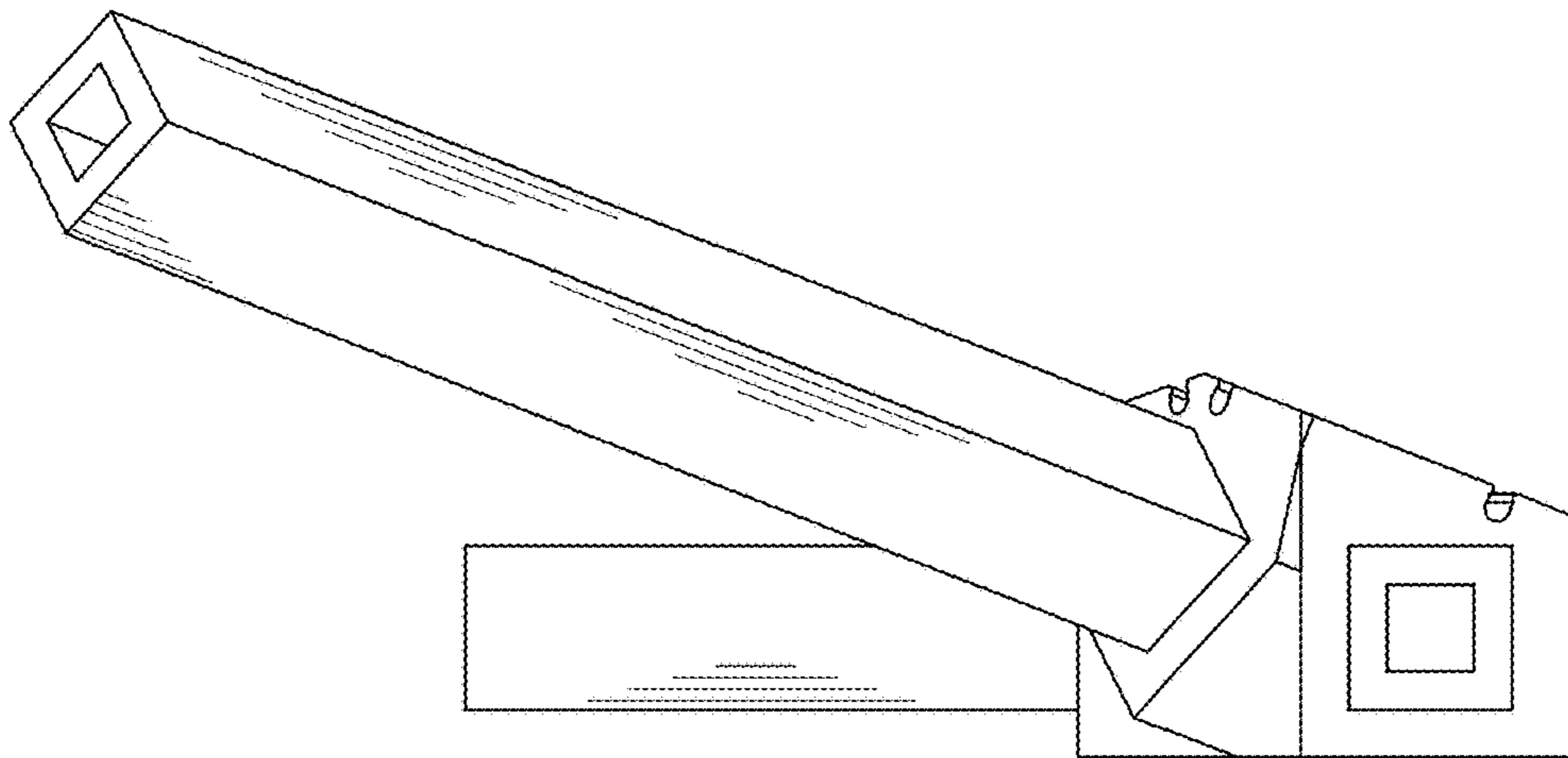


FIG. 7

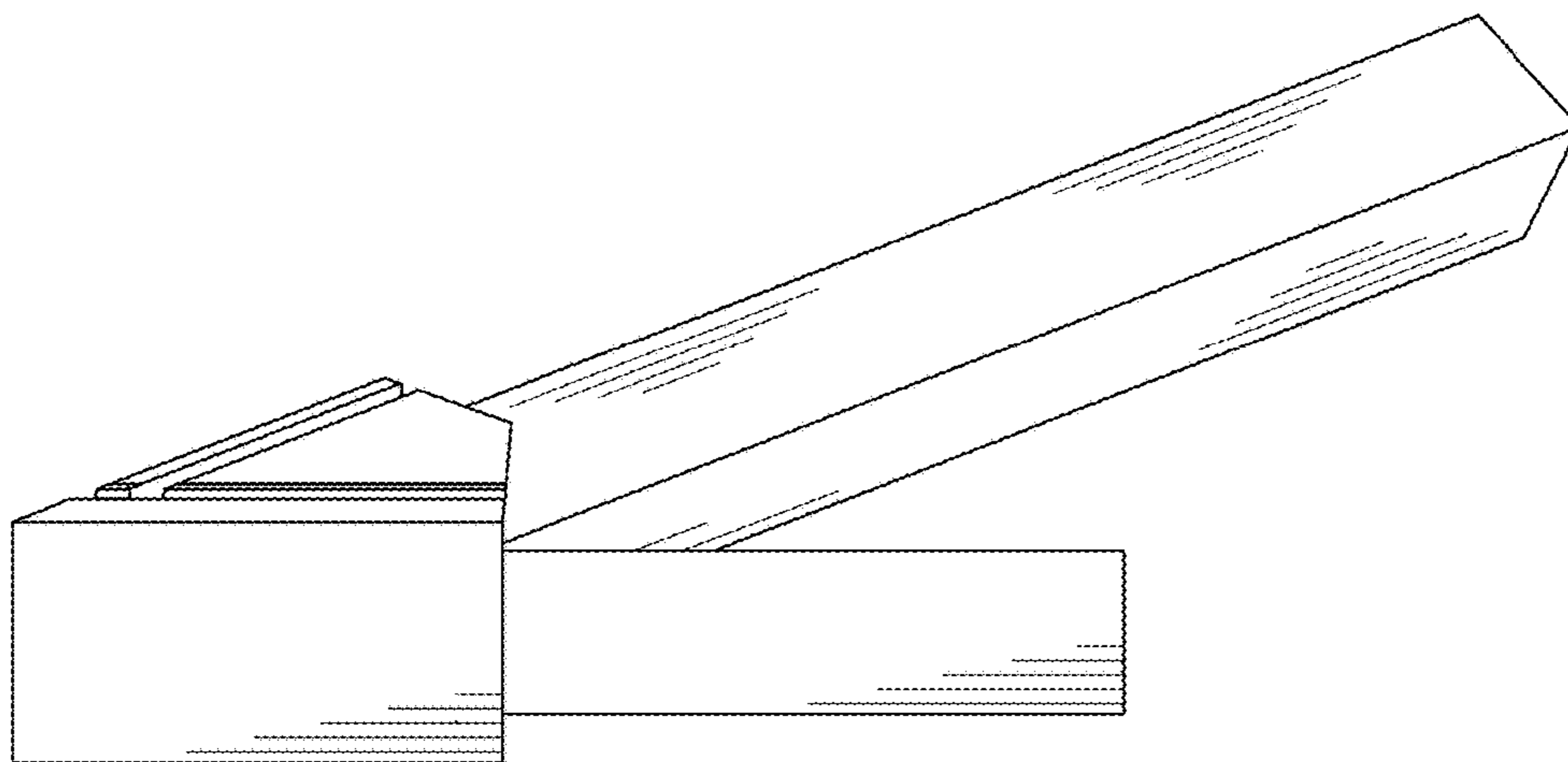


FIG. 8