



US00D827413S

(12) **United States Design Patent**
Romanowski

(10) **Patent No.:** **US D827,413 S**
(45) **Date of Patent:** **** Sep. 4, 2018**

- (54) **LOCKING HANDLES FOR RANGE DRAWERS**
- (71) Applicant: **Steven John Romanowski**, Middlebury, IN (US)
- (72) Inventor: **Steven John Romanowski**, Middlebury, IN (US)
- (**) Term: **15 Years**
- (21) Appl. No.: **29/620,285**
- (22) Filed: **Sep. 15, 2016**
- (51) **LOC (11) Cl.** **08-09**
- (52) **U.S. Cl.**
USPC **D8/339; D8/331**
- (58) **Field of Classification Search**
USPC D8/330, 331, 333, 336, 343, 346, 349; 70/14, 20, 51-56, 57, 57.1, 141, 142, 70/224, 237, 266, 431, DIG. 9, DIG. 4, 70/DIG. 26, DIG. 80, 85, 86, 88, 90, 117, 70/118, 129, 132, 207-211, 230, DIG. 78; 292/2, 32, 281, 288, 289, 358, 359, 292/DIG. 5
CPC B65B 1/04; E05C 5/00; E05C 9/00; E05C 17/00; E05C 19/00
See application file for complete search history.

- 3,466,076 A * 9/1969 Bisbing E05C 19/14 292/109
- 4,290,349 A * 9/1981 Fiorenza A47J 37/0694 16/361
- 4,807,395 A * 2/1989 Kelly E05D 15/06 49/407
- 5,606,880 A * 3/1997 Viggiano E05B 9/08 70/370
- D414,673 S * 10/1999 Dickinson D8/331
- D481,293 S * 10/2003 Ayrest D8/331
- 8,562,060 B2 * 10/2013 Kato B60N 2/01583 296/65.09
- D781,129 S * 3/2017 Pittman D8/331
- D782,274 S * 3/2017 Herrick D8/330

* cited by examiner

Primary Examiner — Prabhakar G Deshmukh
(74) *Attorney, Agent, or Firm* — Ryan M. Fountain

(56) **References Cited**

U.S. PATENT DOCUMENTS

- 2,643,150 A * 6/1953 Giles B65D 45/32 24/71 A
- 3,181,905 A * 5/1965 Bisbing E05C 19/14 292/109

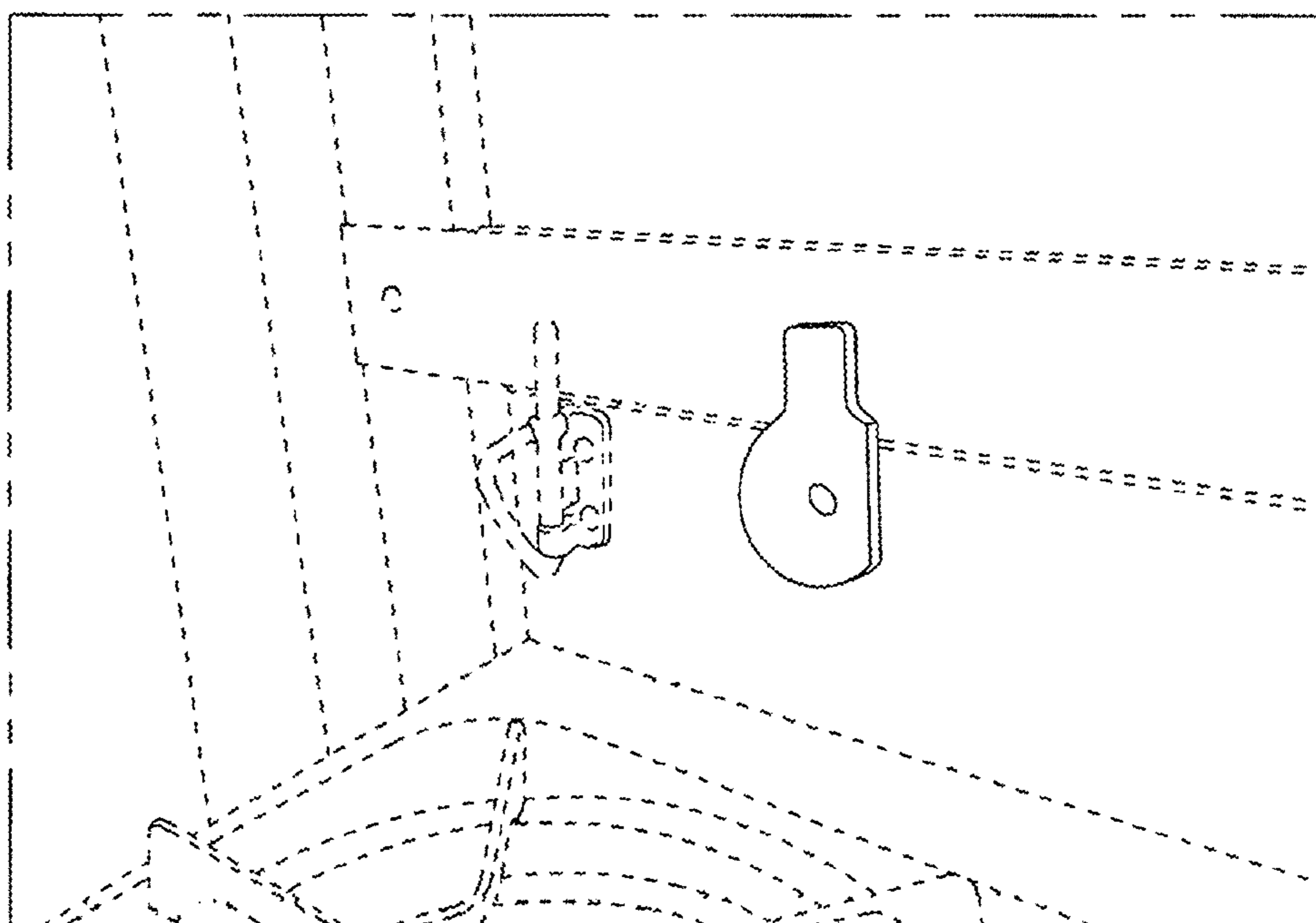
(57) **CLAIM**

The ornamental design for a locking handle for range drawers, as shown and described.

DESCRIPTION

FIG. 1 is a front elevational view of a locking handle for range drawers showing my new design; FIG. 2 is a top front perspective view thereof; FIG. 3 is an enlarged top, front, right perspective view thereof; and, FIG. 4 is another front right perspective view thereof, shown in an alternate position. The broken lines illustrate environment and forms no part of the claimed design.

1 Claim, 3 Drawing Sheets



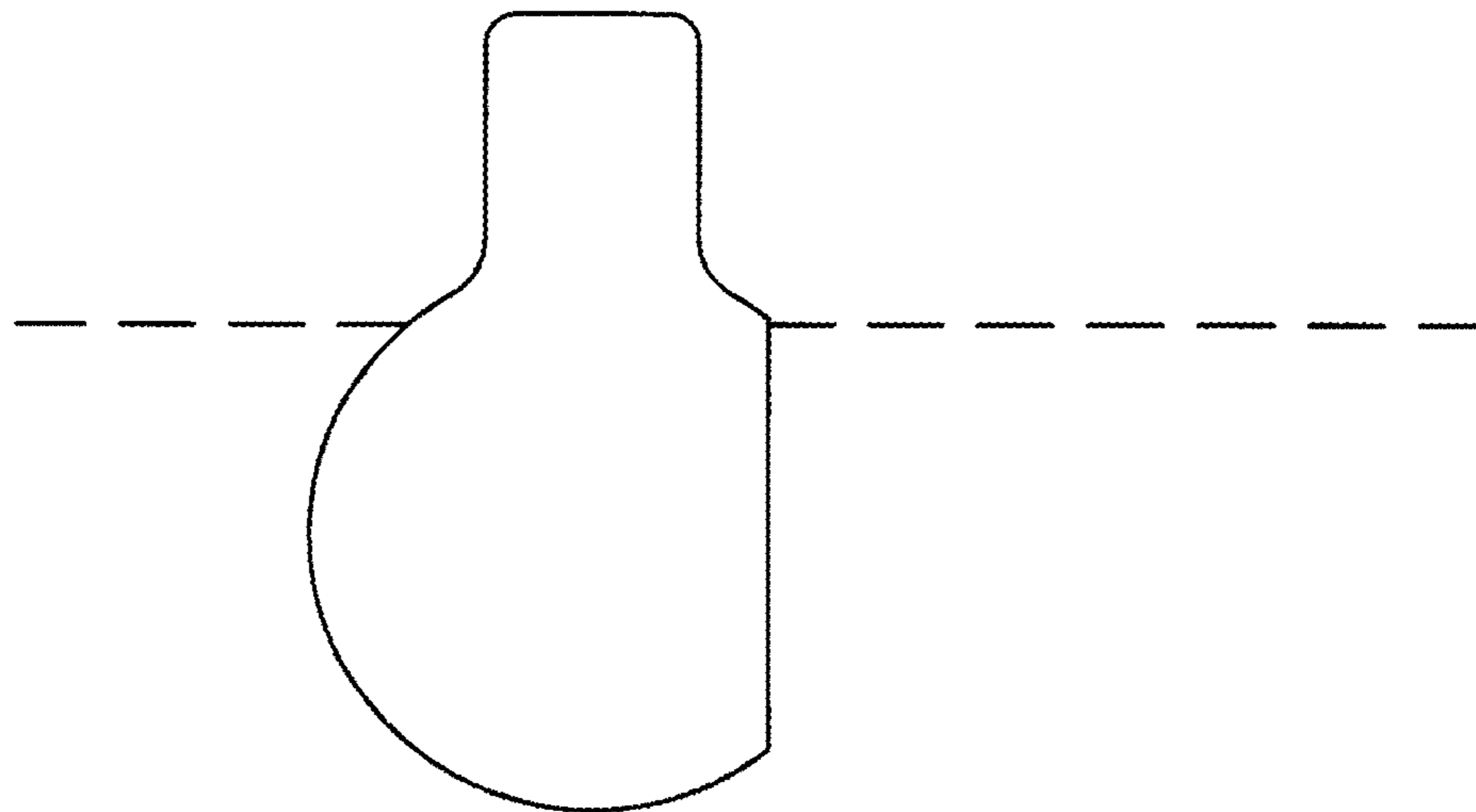


FIG. 1

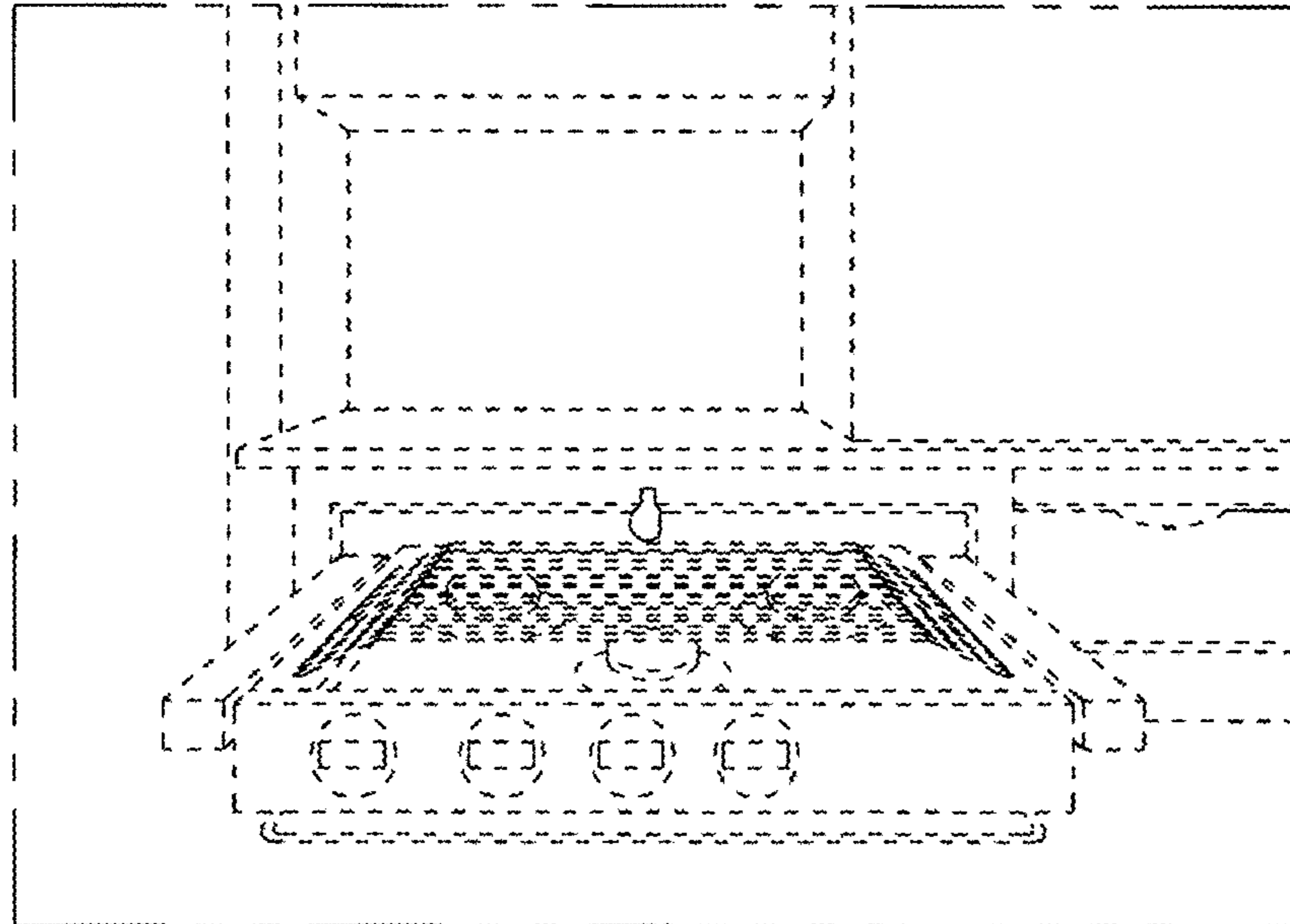


FIG. 2

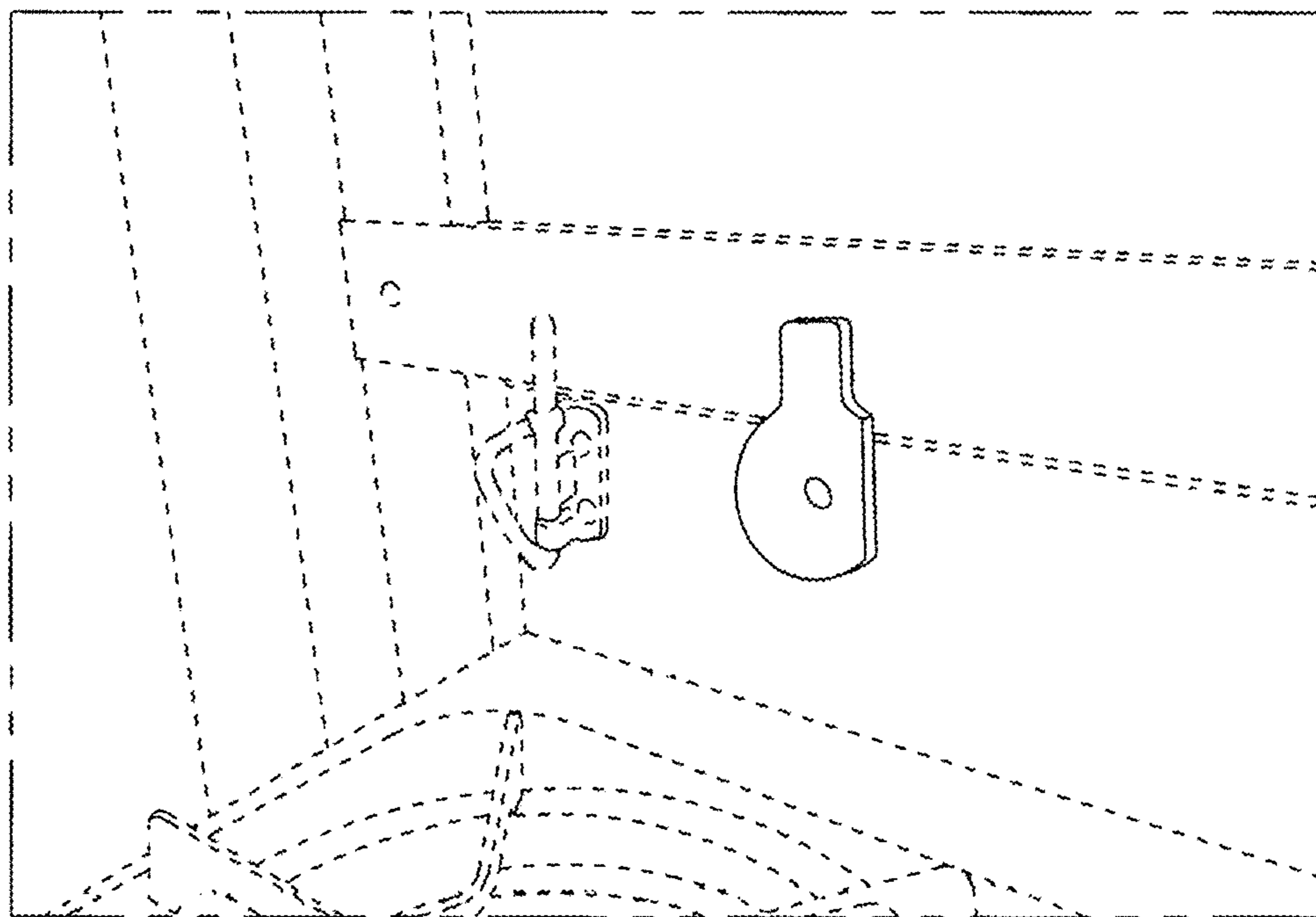


FIG. 3

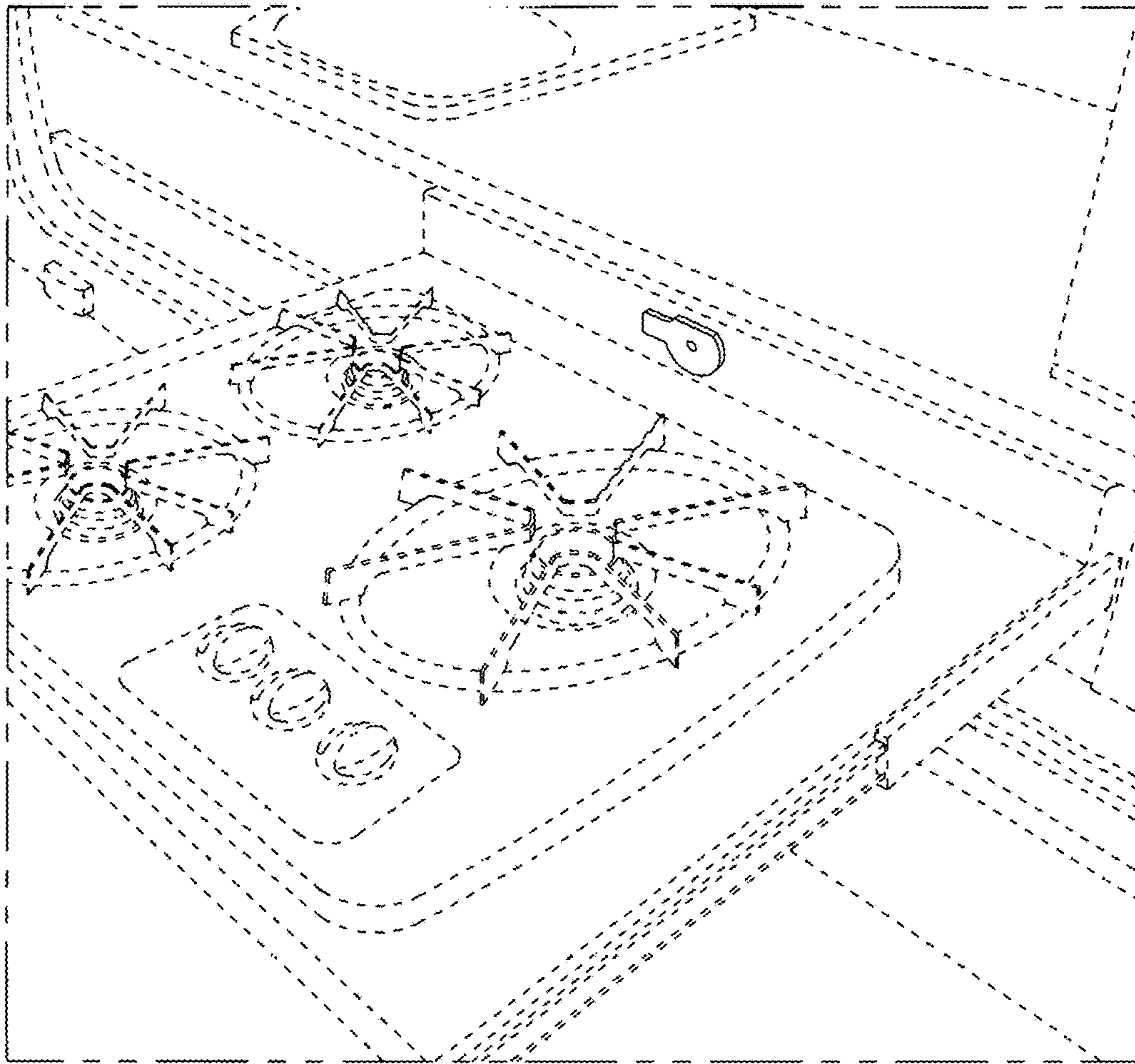


FIG. 4