



US00D827411S

(12) **United States Design Patent** (10) **Patent No.:** **US D827,411 S**
Earley (45) **Date of Patent:** **** Sep. 4, 2018**

(54) **DOOR HANDLE OR REPLICA THEREOF**

(71) Applicant: **Aston Martin Lagonda Limited,**
Warwick (GB)

(72) Inventor: **Leighanne Earley,** Warwick (GB)

(73) Assignee: **Aston Martin Lagonda Limited** (GB)

(**) Term: **15 Years**

(21) Appl. No.: **29/582,156**

(22) Filed: **Oct. 25, 2016**

(30) **Foreign Application Priority Data**

Apr. 26, 2016 (EM) 003094820-0001
Apr. 26, 2016 (EM) 003094820-0002
Apr. 26, 2016 (EM) 003094820-0003

(51) **LOC (11) Cl.** **08-06**

(52) **U.S. Cl.**
USPC **D8/318**

(58) **Field of Classification Search**
USPC D8/310, 312, 315-320, 300, 302, 308,
D8/309; 248/205.5, 205.8, 207; 16/406,
16/413, 422, 412, 415, 420, 443-444;
294/185-189; D15/89, 142; D3/300,
D3/317-319; D23/250; D7/349, 350.1;
292/336.3
CPC A47K 3/003; E05B 1/0053; E05B 1/0038;
E05B 1/0015; Y10T 16/498; Y10T
16/458
See application file for complete search history.

(56) **References Cited**

U.S. PATENT DOCUMENTS

D289,369 S * 4/1987 Foshee D8/308
D344,228 S * 2/1994 Woolf D8/315
D346,205 S * 4/1994 Sauter D23/252
D346,739 S * 5/1994 Tinz D15/142
D348,822 S * 7/1994 Donofrio D8/308

D356,241 S * 3/1995 Decursu D8/302
D360,345 S * 7/1995 Swan D8/308
D368,637 S * 4/1996 Rochette D8/308
D369,086 S * 4/1996 Bergen D8/308
D369,964 S * 5/1996 Decursu D8/302
D375,445 S * 11/1996 Harrison D8/309
D380,133 S * 6/1997 Rochette D8/301
D524,140 S * 7/2006 Kirar D8/308

(Continued)

FOREIGN PATENT DOCUMENTS

DE 2727517 A1 12/1978
DE 4321969 A1 2/1994

(Continued)

OTHER PUBLICATIONS

“2009 Aston Martin Vantage 2-door Coupe Man Grille”. Found online Mar. 21, 2016 at motorauthority.com. Page dated c. 2009. Retrieved from http://www.motorauthority.com/image/100236184_2009-aston-martin-vantage-2-door-coupe-man-grille.

(Continued)

Primary Examiner — Lakiya G Rogers
Assistant Examiner — Altaira J Swangin
(74) *Attorney, Agent, or Firm* — Dorsey & Whitney LLP

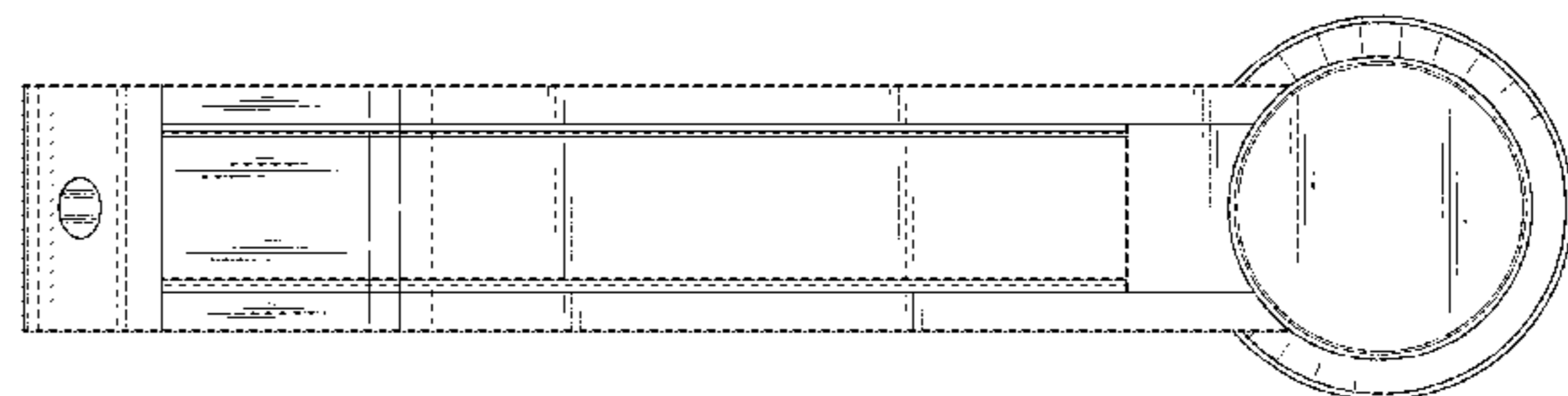
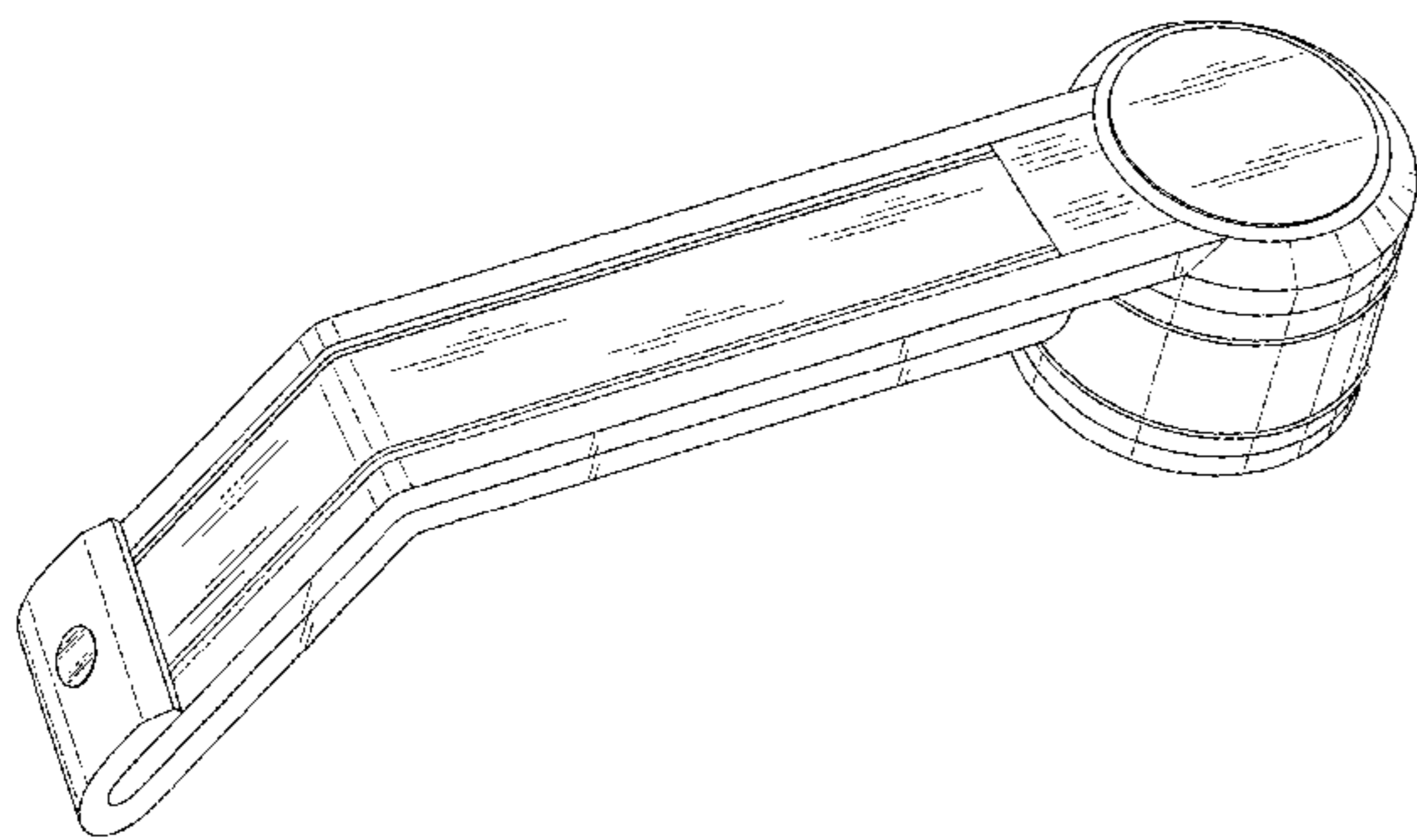
(57) **CLAIM**

The ornamental design for a door handle or replica thereof, as shown and described.

DESCRIPTION

FIG. 1 is an isometric view of a door handle or replica thereof in accordance with the present design;
FIG. 2 is a front elevation view thereof;
FIG. 3 is a rear elevation view thereof;
FIG. 4 is a top plan view thereof;
FIG. 5 is a bottom plan view thereof;
FIG. 6 is a right side elevation view thereof; and,
FIG. 7 is a left side elevation view thereof.

1 Claim, 2 Drawing Sheets



(56)

References Cited

U.S. PATENT DOCUMENTS

D579,524 S * 10/2008 Bickler D23/250
 D581,022 S * 11/2008 Gilbert D23/250
 D582,246 S * 12/2008 Veltz D8/308
 D587,345 S * 2/2009 Montgomery D23/254
 D620,396 S 7/2010 Reichman et al.
 D626,466 S 11/2010 Reichman et al.
 D629,718 S 12/2010 Reichman et al.
 D629,719 S 12/2010 Reichman et al.
 D629,725 S 12/2010 Reichman et al.
 D630,140 S 1/2011 Reichman et al.
 D670,640 S 11/2012 Reichman et al.
 D674,057 S * 1/2013 Lord D23/252
 D687,348 S 8/2013 Nurnberger
 D689,812 S 9/2013 Reichman et al.
 D691,019 S * 10/2013 Sakuma D8/314
 D692,800 S 11/2013 Wiltshire
 D694,088 S * 11/2013 Le D8/308
 D694,369 S * 11/2013 Mendoza D23/242
 D704,027 S * 5/2014 Trunek B25G 1/04
 D8/308
 D704,102 S 5/2014 Nurnberger
 D704,601 S 5/2014 Nurnberger
 D722,259 S * 2/2015 Conner D8/300
 D726,079 S 4/2015 Reichman et al.
 D727,804 S 4/2015 Nurnberger
 D730,147 S * 5/2015 Wu D8/308
 D730,777 S 6/2015 Nurnberger
 D735,014 S * 7/2015 Groleski D8/308
 D739,789 S 9/2015 Payne
 D740,725 S 10/2015 Payne
 D757,908 S * 5/2016 Fritz D23/252
 D758,247 S 6/2016 Nurnberger et al.
 D766,474 S 9/2016 Holgate et al.
 D772,128 S 11/2016 Platt
 D774,950 S 12/2016 Holgate et al.
 D774,995 S 12/2016 Holgate et al.
 D776,509 S * 1/2017 Fagan D8/300
 D777,070 S 1/2017 Nurnberger
 D778,790 S 2/2017 Nurnberger
 D780,632 S 3/2017 Nurnberger
 D780,633 S 3/2017 Payne et al.
 D780,634 S 3/2017 Segui et al.
 D780,636 S 3/2017 Kahn
 D785,525 S 5/2017 Nurnberger
 D786,155 S 5/2017 Holgate et al.
 D786,407 S * 5/2017 Clarke D23/252
 D786,652 S * 5/2017 Lira-Nunez D8/321
 D786,744 S 5/2017 Nurnberger et al.
 D789,765 S * 6/2017 Wang D8/308
 D792,951 S * 7/2017 Fritz D23/242
 D793,538 S * 8/2017 Fritz D23/252
 D796,404 S 9/2017 Nurnberger
 D796,935 S * 9/2017 Groleski D8/308
 D797,541 S * 9/2017 Groleski D8/308
 D800,619 S 10/2017 Platt
 D801,558 S 10/2017 Nurnberger et al.
 9,828,789 B2 * 11/2017 Balancea E05B 17/002
 D805,877 S * 12/2017 Malkoc D8/331
 9,834,956 B2 * 12/2017 Hogan E05B 13/106
 9,836,903 B2 * 12/2017 Comerford G08B 13/06
 9,859,069 B2 * 1/2018 Sambar H01H 9/223
 D810,152 S * 2/2018 Yamada D15/89
 D812,197 S * 3/2018 Garland D23/252
 2016/0145895 A1 * 5/2016 Kankkunen E05B 17/10
 70/432

FOREIGN PATENT DOCUMENTS

EM 0002129230001 10/2004
 EM 0002129230002 10/2004
 EM 0010678390001 1/2009
 EM 0016500520001 12/2009
 EM 0016746310001 2/2010
 EM 0016746310002 2/2010

EM 0016746310003 2/2010
 EM 0016746310005 2/2010
 EM 0019998480001 2/2012
 EM 0019998480003 2/2012
 EM 0020336210001 4/2012
 EM 0020336210003 4/2012
 EM 0020336210005 4/2012
 EM 0020336210006 4/2012
 EM 0020479770002 5/2012
 EM 0021714880001 1/2013
 EP 0896892 A1 2/1999
 EP 0906863 A2 7/1999
 EP 2476603 A2 7/2012
 GB 2327912 A 2/1999
 GB 3013456 7/2003
 GB 2396881 A 7/2004
 GB 3024223 3/2006
 JP 1400694 8/2010
 JP 1444677 6/2012
 WO 0212028 A1 2/2002

OTHER PUBLICATIONS

“2011 Aston Martin One-77.” Electronic Brochure., Jun. 22, 2010 [online], [retrieved on Sep. 5, 2014]. Retrieved from the Internet <URL: http://www.auto-brochures.com/makes/Aston_Martin/one-77/Aston%20Martin_int%20ne-77.pdf>.
 “2012 Aston Martin Virage”, Online Review dated Mar. 21, 2012 (Retrieved from the Internet Jan. 20, 2016), Available at <http://www.autoblog.com/2012/03/21/2012-aston-martin-virage-review-road-test>.
 “Aston Martin Sedan/Lagonda Spy Photos”. Found online Mar. 21, 2016 at forums.nasioc.com. Page dated May 9, 2014. Retrieved from <http://forums.nasioc.com/forums/showthread.php?t=2628222>.
 “Car Wheels Design”, Online Blog dated Oct. 13, 2011 (Retrieved from the Internet Jan. 20, 2016), Available at <http://wheelsdesigns.blogspot.com/2011/10/aston-martin-wheels.html>.
 “eAutoZine: Aston Martin Lagonda Returns in Summer 2014”. Found online Mar. 21, 2016 at [eautozine.com](http://www.eautozine.com). Page dated Jun. 22, 2014. Retrieved from <http://www.eautozine.com/page/4/>.
 2003 Aston Martin DB7 Vantage, [online], [site visited Jan. 3, 2014], Available from Internet, <URL: <http://www.conceptcarz.com/view/photo/291097,6877/2003-Aston-Martin-DB7-Vantage.aspx>>, 2 pages.
 2011 Aston Martin Rapide, [online article Feb. 4, 2010, [site visited Jan. 3, 2014], Available from Internet, <URL: http://www.roadandtrack.com/car-reviews/first-drives/photos-2011-aston-martin-rapide?click=rnain_sr#slide-1>, 6 pages.
 2014 Aston Martin Rapide S, announced Dec. 30, 2013, [online], [site visited Jan. 3, 2014], Available from Internet, <URL: <http://www.astonmartin.com/en-us/cars/rapide-s>>, 35 pages.
 Aston Martin DB9 Brochure; Website[online]: <http://www.auto-brochures.com>, Jan. 27, 2012 [retrieved on Oct. 22, 2013]. Retrieved from the internet: <URL: http://www.auto-brochures.com/makes/Aston_Martin/db9/Aston%20Martin_int%20DB9_1.pdf>; 41 pages.
 Aston Martin IDBS Brochure; Website[online]: <http://www.auto-brochures.com>, Jan. 27, 2012 [retrieved on Oct. 22, 2013]. Retrieved from the internet: <URL: http://www.auto-brochures.com/makes/Aston_Martin/dbs/Aston%20Martin_int%20DBS_1.pdf>; 62 pages.
 Aston Martin, “Vulcan”, <http://www.astonmartin.com/vulcan> [Retrieved from the Internet on Oct. 21, 2016], 2 Pages.
 European Patent Office; PCT International Preliminary Examination Report dated Dec. 5, 2002; PCT/GB01/03563; 11 pages.
 European Patent Office; PCT International Search Report dated Nov. 21, 2001; PCT/GB01/03563; 3 pages.
 European Patent Office; PCT Written Opinion dated Aug. 21, 2002; PCT/GB01/03563; 5 pages.
 European Patent Office; PCT Written Opinion dated Mar. 6, 2002; PCT/GB01/03563; 5 pages.

(56)

References Cited

OTHER PUBLICATIONS

Youtube, "First Look: Aston Martin Vulcan—Geneva 2015", <https://www.youtube.com/watch?v=weY6qeOJIBe>, Published Mar. 5, 2015, 2 Pages.

"Extremely Striking 'Bespoke' Aston Martin Super-Saloon Spied". Found online Mar. 21, 2016 at forums.vwvortex.com. Page dated May 8, 2014., Retrieved from <http://forums.vwvortex.com/showthread.php?6969673-Extremely-striking-quot-Bespoke-quot-Aston-Martin-super-saloon-spied-Built-by-0-by-Aston-Martin-will-be-very-limited-run-could-be-badged-Lagonda>.

Carrion, Annette. "2014 Aston Martin Vanquish Volante Neiman Marcus . . ." *European Car Web.*, Jun. 22, 2010 [online], [retrieved on Sep. 5, 2014]., Retrieved from the Internet <URL: http://www.europeancarweb.com/news/1311_2014_aston_martin_vanquish_volante_neiman_marcus_edition/photo_06.html>.

Vijayenthiran, Viknesh. "Aston Martin Builds and Sells Two CC100 Speedsters: Report." *Motor Authority.*, Jul. 26, 2013 [online], [retrieved on Sep. 5, 2014]., Retrieved from the Internet <URL: http://www.motorauthority.com/news/1085797_aston-martin-builds-and-sells-two-cc100-speedsters-report>.

2008 Aston Martin DB9 Grill & Front View Photo. Website[online]: <http://www.motortrend.com>, Jun. 12, 2008 [retrieved on Oct. 22, 2013]., Retrieved from the internet: <URL: http://www.motortrend.com/cars/2008/aston_martin/db9/photos/exterior/grill_front_view.html>; 1 page.

U.S. Appl. No. 29/542,940, filed Oct. 19, 2015, Kahn.
U.S. Appl. No. 29/573,909, filed Aug. 10, 2016, Cooper.
U.S. Appl. No. 29/582,165, filed Oct. 25, 2016, Earley.
U.S. Appl. No. 29/582,167, filed Oct. 25, 2016, Earley.
U.S. Appl. No. 29/582,170, filed Oct. 25, 2016, Earley.

U.S. Appl. No. 29/582,592, filed Oct. 28, 2016, Reichman et al.
U.S. Appl. No. 29/583,268, filed Nov. 3, 2016, Nurnberger et al.
U.S. Appl. No. 29/583,272, filed Nov. 3, 2016, Nurnberger et al.
U.S. Appl. No. 29/583,278, filed Nov. 3, 2016, Nurnberger et al.
U.S. Appl. No. 29/584,625, filed Nov. 16, 2016, Nurnberger et al.
U.S. Appl. No. 29/584,629, filed Nov. 16, 2016, Nurnberger et al.
U.S. Appl. No. 29/589,582, filed Jan. 3, 2017, Nurnberger et al.
U.S. Appl. No. 29/589,583, filed Jan. 3, 2017, Nurnberger et al.
U.S. Appl. No. 29/589,586, filed Jan. 3, 2017, Nurnberger et al.
U.S. Appl. No. 29/589,618, filed Jan. 3, 2017, Nurnberger et al.
U.S. Appl. No. 29/589,621, filed Jan. 3, 2017, Nurnberger et al.
U.S. Appl. No. 29/595,005, filed Feb. 24, 2017, Nurnberger et al.
U.S. Appl. No. 29/604,102, filed May 15, 2017, Nurnberger et al.
U.S. Appl. No. 29/616,003, filed Sep. 1, 2017, Re et al.
U.S. Appl. No. 29/616,006, filed Sep. 1, 2017, Re et al.
U.S. Appl. No. 29/616,008, filed Sep. 1, 2017, Re et al.
U.S. Appl. No. 29/616,010, filed Sep. 1, 2017, Re et al.
U.S. Appl. No. 29/616,014, filed Sep. 1, 2017, Re et al.
U.S. Appl. No. 29/621,813, filed Oct. 11, 2017, Nurnberger et al.
U.S. Appl. No. 29/621,815, filed Oct. 11, 2017, Nurnberger et al.
U.S. Appl. No. 29/626,411, filed Nov. 16, 2017, Nurnberger et al.
U.S. Appl. No. 29/626,415, filed Nov. 16, 2017, Nurnberger et al.
U.S. Appl. No. 29/626,419, filed Nov. 16, 2017, Hill et al.
U.S. Appl. No. 29/626,801, filed Nov. 20, 2017, Hill et al.
U.S. Appl. No. 29/631,883, filed Jan. 3, 2018, Hill et al.
U.S. Appl. No. 29/631,887, filed Jan. 3, 2018, Hill et al.
Aston Martin 2013, "Aston Martin Centenary Celebration Programme," 2013; 204 pages.
1976 and 1987 Aston Martin Lagonda, [online], [site visited Jul. 24, 2014], Available from Internet, <URL: <http://www.astonmartin.com/heritage/past-models/lagonda>>, 2 pages.

* cited by examiner

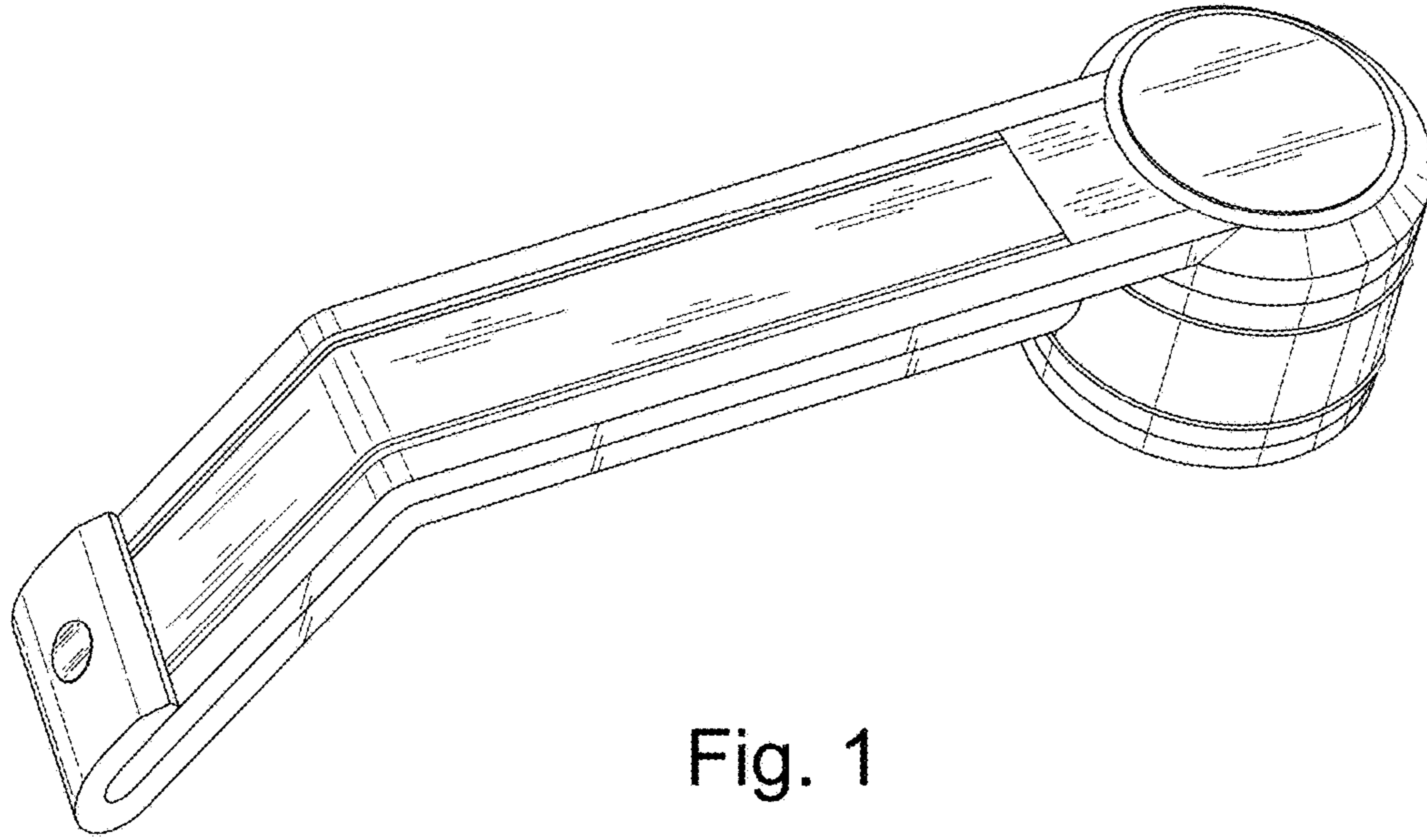


Fig. 1

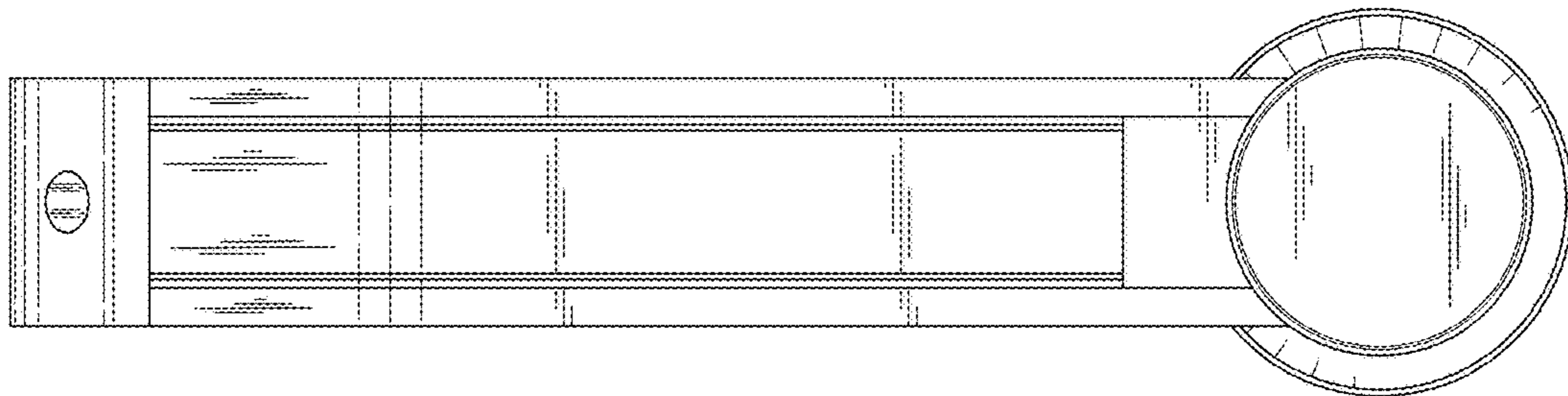


Fig. 2

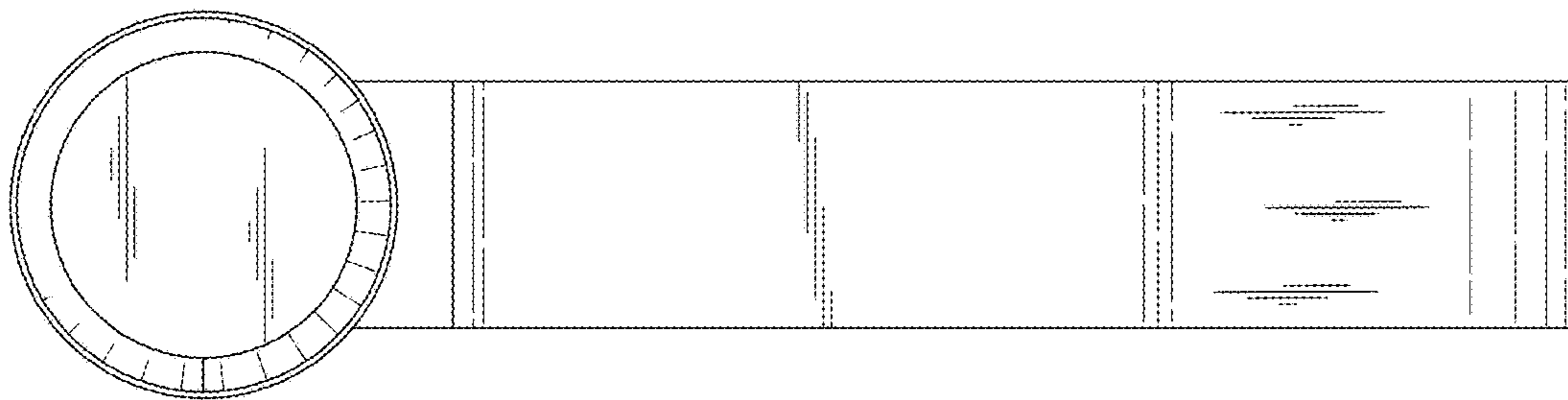


Fig. 3

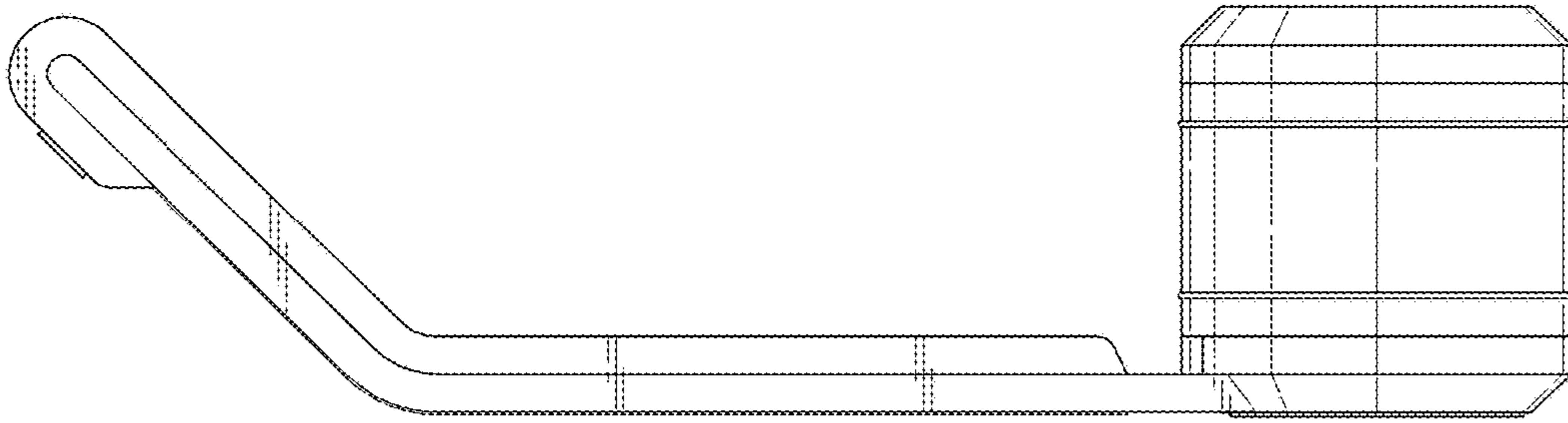


Fig. 4

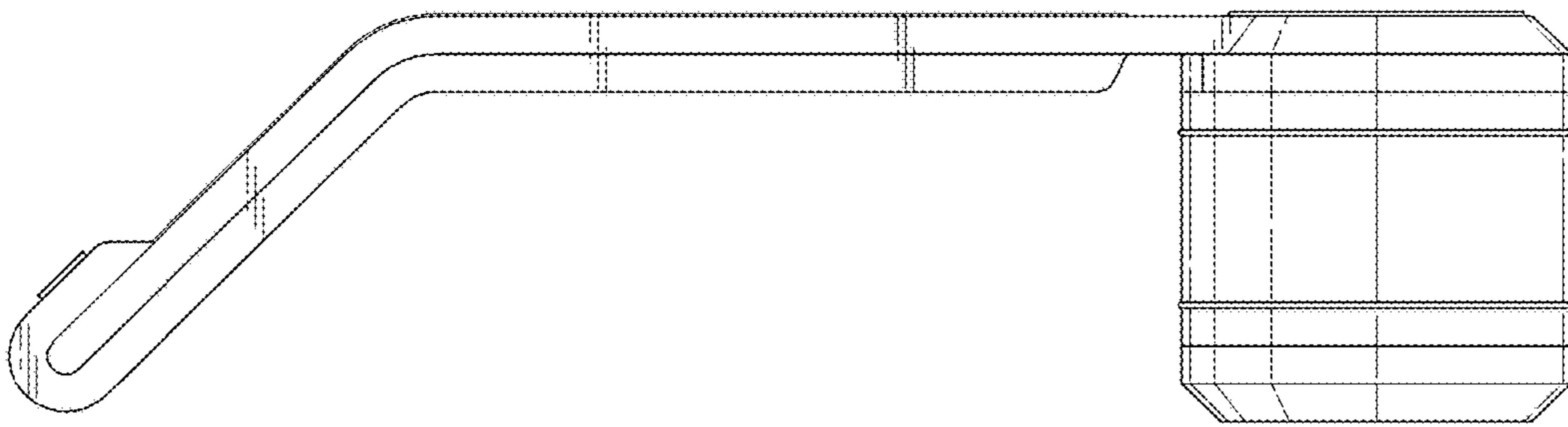


Fig. 5

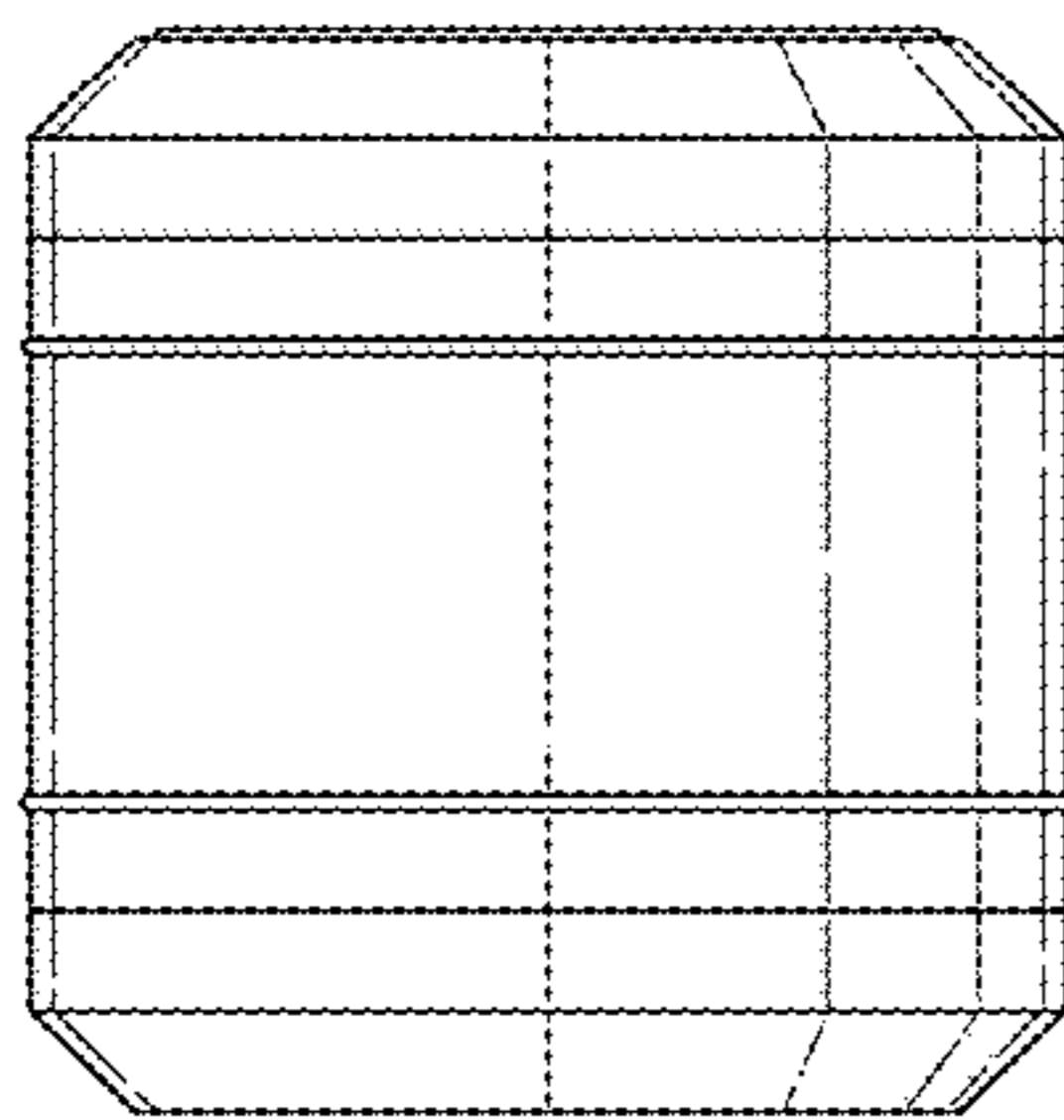


Fig. 6

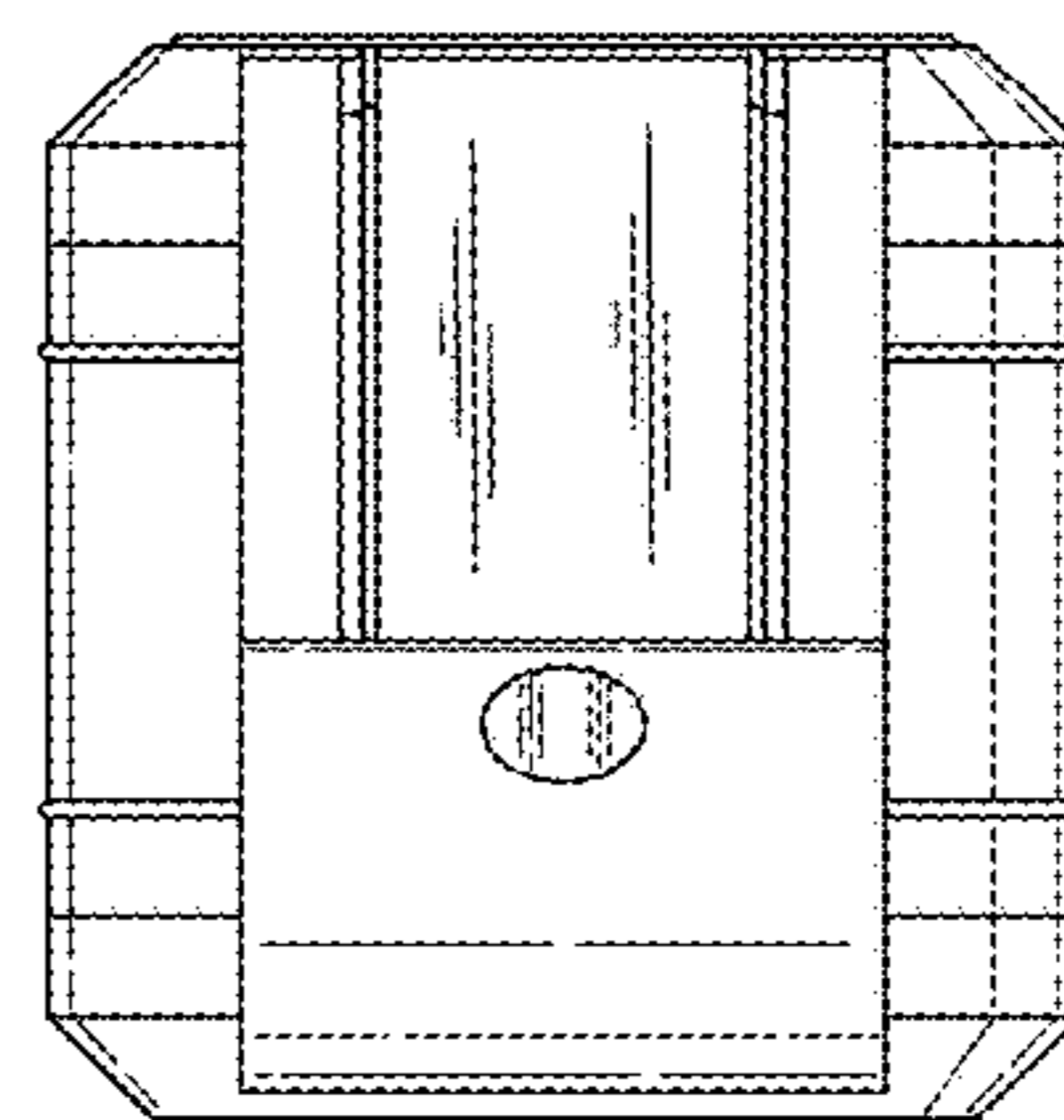


Fig. 7