



US00D827410S

(12) **United States Design Patent** (10) **Patent No.:** **US D827,410 S**  
**Earley** (45) **Date of Patent:** **\*\* Sep. 4, 2018**

(54) **PULL FOR CABINET**

(71) Applicant: **Aston Martin Lagonda Limited**,  
Warwick (GB)

(72) Inventor: **Leighanne Earley**, Warwick (GB)

(73) Assignee: **Aston Martin Lagonda Limited** (GB)

(\*\*) Term: **15 Years**

(21) Appl. No.: **29/582,165**

(22) Filed: **Oct. 25, 2016**

(30) **Foreign Application Priority Data**

Apr. 26, 2016 (EM) ..... 003094820-0004  
 Apr. 26, 2016 (EM) ..... 003094820-0007  
 Apr. 26, 2016 (EM) ..... 003094820-0008  
 Apr. 26, 2016 (EM) ..... 003094820-0009  
 Apr. 26, 2016 (EM) ..... 003094820-0010  
 Apr. 26, 2016 (EM) ..... 003094820-0011  
 Apr. 26, 2016 (EM) ..... 003094846-0006

(51) **LOC (11) Cl.** ..... **08-06**

(52) **U.S. Cl.**  
USPC ..... **D8/313**; D12/400

(58) **Field of Classification Search**  
 USPC ..... D8/300, 301, 302, 313, 315, 316, 318,  
 D8/319, 320, 331; D6/546, 549;  
 D7/393, 394; D15/89; D12/400, 415,  
 D12/425  
 CPC ..... Y10T 16/469; Y10T 16/44; Y10T 16/498;  
 Y10T 16/459; Y10T 74/20732; Y10T  
 16/462; Y10T 29/49826; Y10T 16/4559;  
 Y10T 74/20864; Y10T 16/4628; Y10T  
 407/1825; Y10T 408/96; Y10T 74/20612;  
 Y10T 137/6024; B25G 1/10; B25G 1/00;  
 B25G 3/00

See application file for complete search history.

(56) **References Cited**

U.S. PATENT DOCUMENTS

1,781,813 A \* 11/1930 Goodwin ..... E05B 17/2003  
 292/346  
 D199,731 S \* 12/1964 Fountain ..... D25/123  
 D220,936 S \* 6/1971 Horgan ..... D8/319  
 D415,406 S \* 10/1999 Weinerman ..... D8/331  
 D521,791 S \* 5/2006 Spence ..... D6/580  
 D564,331 S \* 3/2008 Borgonovo ..... D8/307  
 D567,064 S \* 4/2008 Samhammer ..... D8/331  
 D570,666 S \* 6/2008 Samhammer ..... D8/303  
 D571,633 S \* 6/2008 Shuman ..... D8/300  
 D620,396 S 7/2010 Reichman et al.  
 D626,466 S 11/2010 Reichman et al.  
 D629,718 S 12/2010 Reichman et al.  
 D629,719 S 12/2010 Reichman et al.  
 D629,725 S 12/2010 Reichman et al.

(Continued)

OTHER PUBLICATIONS

U.S. Appl. No. 29/604,102 , filed May 15, 2017, Nurnberger et al.  
(Continued)

*Primary Examiner* — Lauren R Calve  
(74) *Attorney, Agent, or Firm* — Dorsey & Whitney LLP

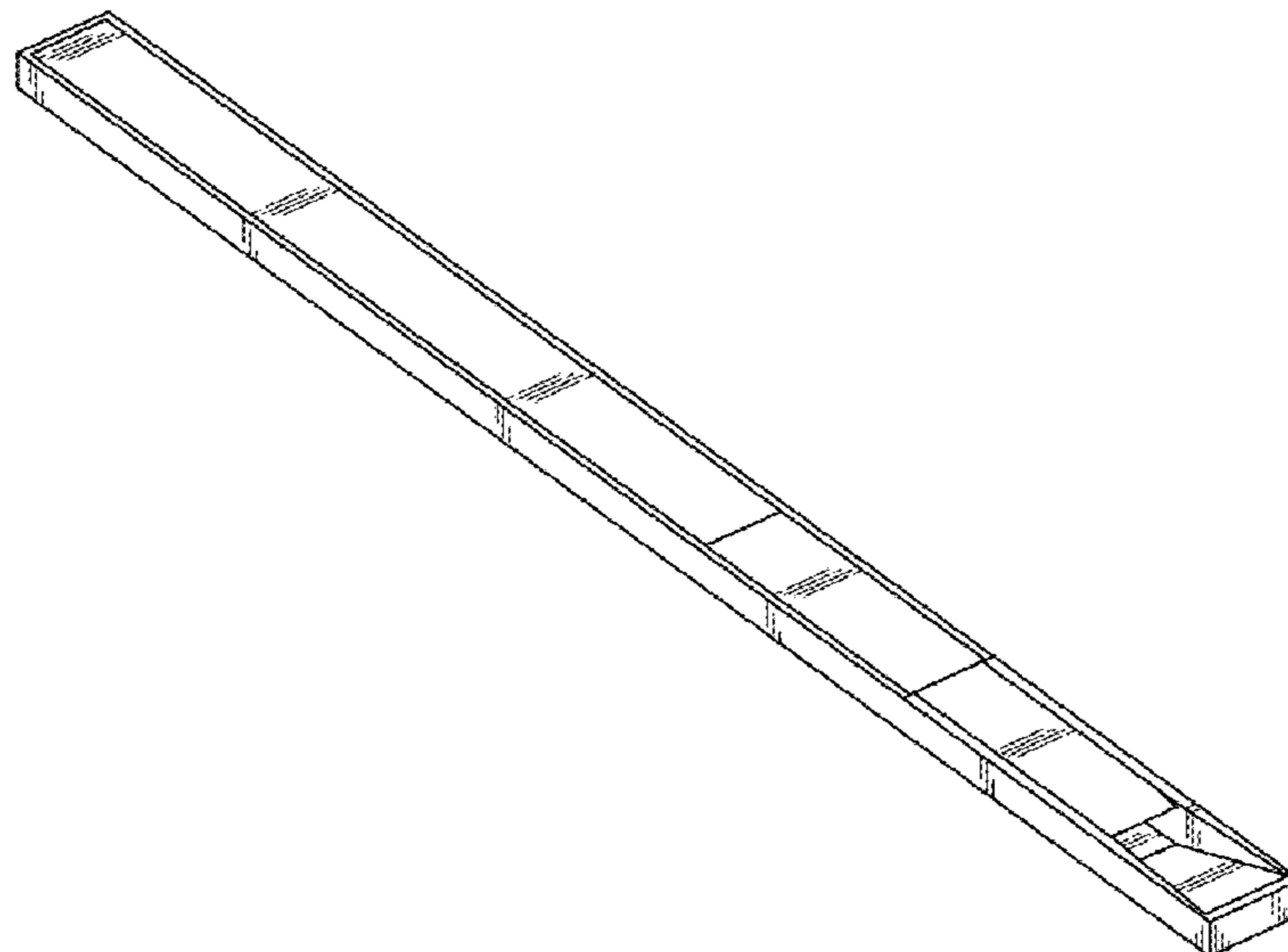
(57) **CLAIM**

The ornamental design for a pull for cabinet, as shown.

**DESCRIPTION**

FIG. 1 is an isometric view of a pull for cabinet in accordance with the present design;  
 FIG. 2 is a top plan view thereof;  
 FIG. 3 is a bottom plan view thereof;  
 FIG. 4 is a front elevation view thereof;  
 FIG. 5 is a rear elevation view thereof;  
 FIG. 6 is a right side elevation view thereof; and,  
 FIG. 7 is a left side elevation view thereof.

**1 Claim, 1 Drawing Sheet**



(56)

References Cited

U.S. PATENT DOCUMENTS

D630,140 S 1/2011 Reichman et al.  
 D670,640 S 11/2012 Reichman et al.  
 D687,348 S 8/2013 Nurnberger  
 D689,812 S 9/2013 Reichman et al.  
 D692,800 S 11/2013 Wiltshire  
 D704,102 S 5/2014 Nurnberger  
 D704,601 S 5/2014 Nurnberger  
 D720,982 S \* 1/2015 Kaishian ..... D8/313  
 D726,079 S 4/2015 Reichman et al.  
 D727,804 S 4/2015 Nurnberger  
 D730,777 S 6/2015 Nurnberger  
 D739,789 S 9/2015 Payne  
 D740,725 S 10/2015 Payne  
 D758,247 S 6/2016 Nurnberger et al.  
 D766,474 S 9/2016 Holgate et al.  
 D772,128 S 11/2016 Platt  
 D774,950 S 12/2016 Holgate et al.  
 D774,995 S 12/2016 Holgate et al.  
 D777,070 S 1/2017 Nurnberger  
 D778,790 S 2/2017 Nurnberger  
 D780,632 S 3/2017 Nurnberger  
 D780,633 S 3/2017 Nurnberger et al.  
 D780,634 S 3/2017 Nurnberger et al.  
 D780,636 S 3/2017 Kahn  
 D785,525 S 5/2017 Nurnberger  
 D786,155 S 5/2017 Holgate et al.  
 D786,744 S 5/2017 Nurnberger et al.  
 D796,404 S 9/2017 Nurnberger  
 D800,619 S 10/2017 Platt  
 D801,558 S 10/2017 Nurnberger et al.

OTHER PUBLICATIONS

U.S. Appl. No. 29/542,940, filed Oct. 19, 2015, Kahn.  
 U.S. Appl. No. 29/573,909, filed Aug. 10, 2016, Cooper.

U.S. Appl. No. 29/582,156, filed Oct. 25, 2016, Earley.  
 U.S. Appl. No. 29/582,167, filed Oct. 25, 2016, Earley.  
 U.S. Appl. No. 29/582,170, filed Oct. 25, 2016, Earley.  
 U.S. Appl. No. 29/582,592, filed Oct. 28, 2016, Reichman et al.  
 U.S. Appl. No. 29/583,268, filed Nov. 3, 2016, Nurnberger et al.  
 U.S. Appl. No. 29/583,272, filed Nov. 3, 2016, Nurnberger et al.  
 U.S. Appl. No. 29/583,278, filed Nov. 3, 2016, Nurnberger et al.  
 U.S. Appl. No. 29/584,625, filed Nov. 16, 2016, Nurnberger et al.  
 U.S. Appl. No. 29/584,629, filed Nov. 16, 2016, Nurnberger et al.  
 U.S. Appl. No. 29/589,582, filed Jan. 3, 2017, Nurnberger et al.  
 U.S. Appl. No. 29/589,583, filed Jan. 3, 2017, Nurnberger et al.  
 U.S. Appl. No. 29/589,586, filed Jan. 3, 2017, Nurnberger et al.  
 U.S. Appl. No. 29/589,618, filed Jan. 3, 2017, Nurnberger et al.  
 U.S. Appl. No. 29/589,621, filed Jan. 3, 2017, Nurnberger et al.  
 U.S. Appl. No. 29/595,005, filed Feb. 24, 2017, Nurnberger et al.  
 U.S. Appl. No. 29/616,003, filed Sep. 1, 2017, Re et al.  
 U.S. Appl. No. 29/616,006, filed Sep. 1, 2017, Re et al.  
 U.S. Appl. No. 29/616,008, filed Sep. 1, 2017, Re et al.  
 U.S. Appl. No. 29/616,010, filed Sep. 1, 2017, Re et al.  
 U.S. Appl. No. 29/616,014, filed Sep. 1, 2017, Re et al.  
 U.S. Appl. No. 29/621,813, filed Oct. 11, 2017, Nurnberger et al.  
 U.S. Appl. No. 29/621,815, filed Oct. 11, 2017, Nurnberger et al.  
 U.S. Appl. No. 29/626,411, filed Nov. 16, 2017, Nurnberger et al.  
 U.S. Appl. No. 29/626,415, filed Nov. 16, 2017, Nurnberger et al.  
 U.S. Appl. No. 29/626,801, filed Nov. 20, 2017, Hill et al.  
 U.S. Appl. No. 29/626,419, filed Nov. 16, 2017, Hill et al.  
 U.S. Appl. No. 29/631,883, filed Jan. 3, 2018, Hill et al.  
 U.S. Appl. No. 29/631,887, filed Jan. 3, 2018, Hill et al.  
 Aston Martin 2013, "Aston Martin Centenary Celebration Programme," 2013; 204 pages.  
 1976 and 1987 Aston Martin Lagonda, [online], [site visited Jul. 24, 2014], Available from Internet, <URL: <http://www.astonmartin.com/heritage/past-models/lagonda>>, 2 pages.

\* cited by examiner

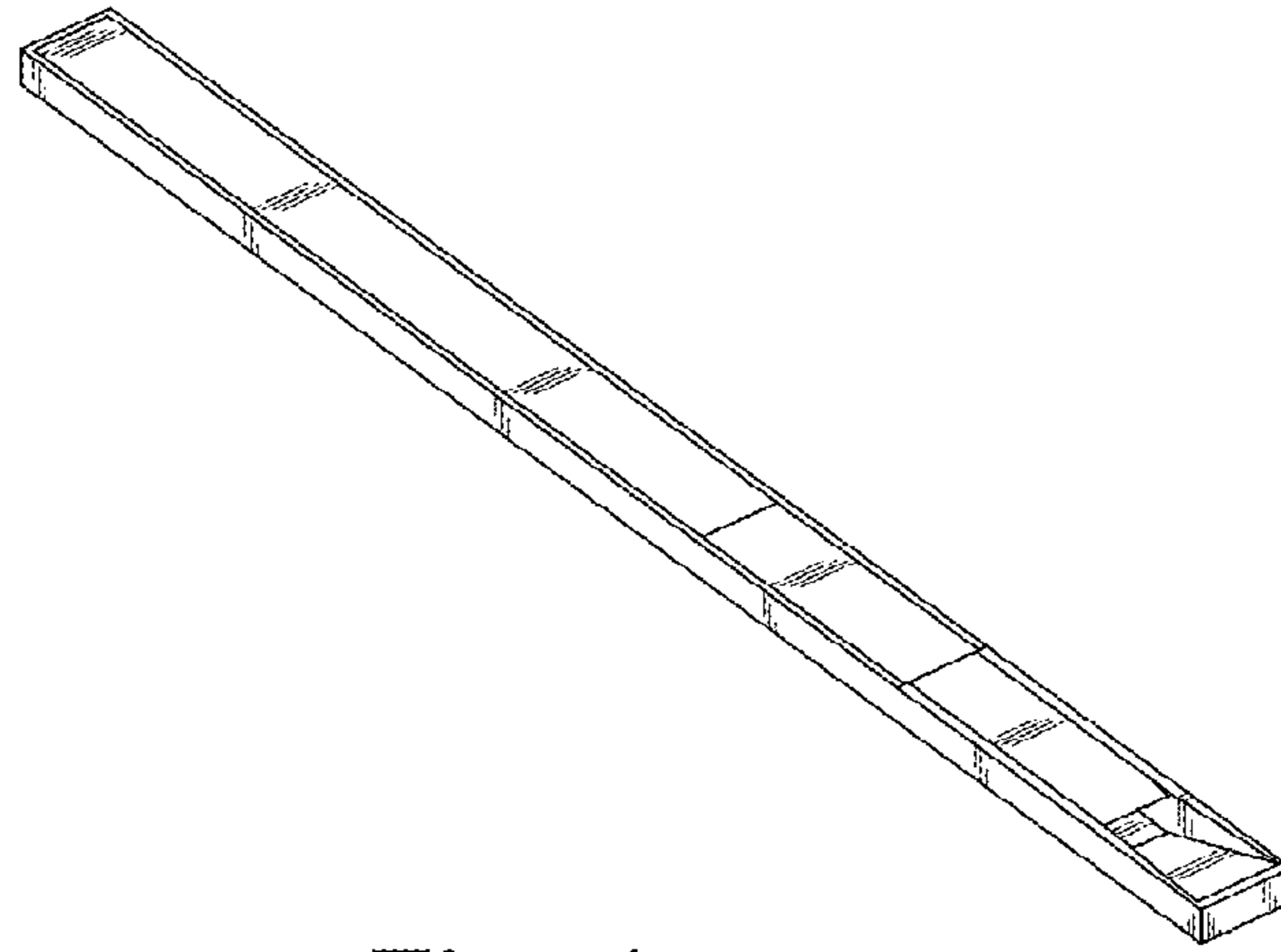


Fig. 1

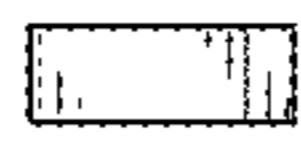


Fig. 2

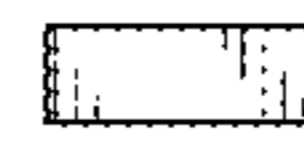


Fig. 3

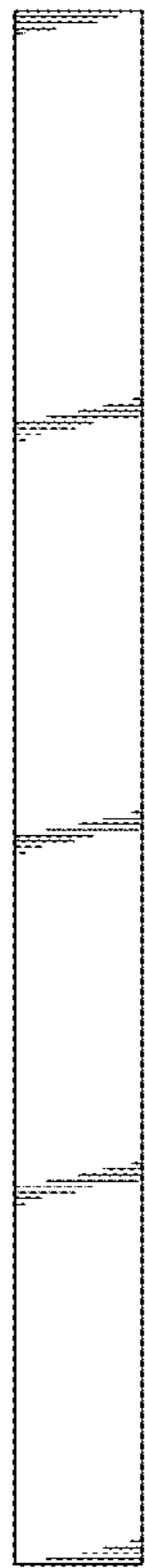


Fig. 4

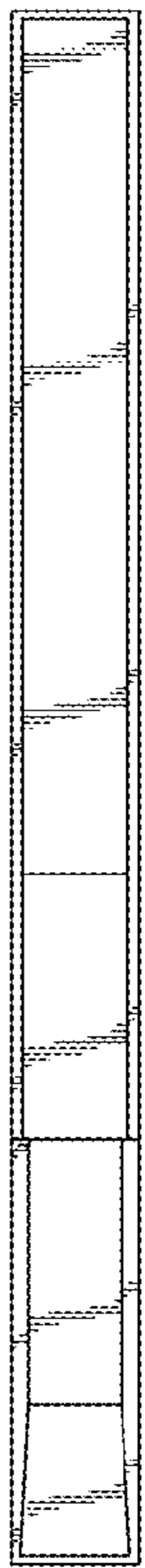


Fig. 5

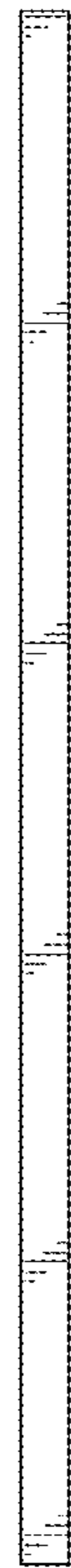


Fig. 6

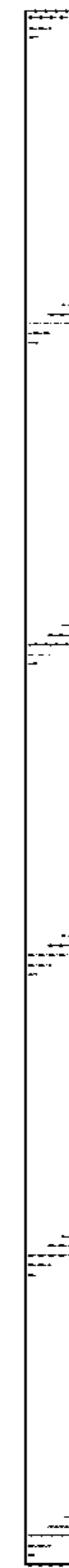


Fig. 7