



US00D827408S

(12) **United States Design Patent**
Stefanczyk-Lacor

(10) **Patent No.:** **US D827,408 S**

(45) **Date of Patent:** **** Sep. 4, 2018**

(54) **ASSEMBLABLE TOOL SET FOR BICYCLES**

(71) Applicant: **Tyler A Stefanczyk-Lacor**, Shaker Heights, OH (US)

(72) Inventor: **Tyler A Stefanczyk-Lacor**, Shaker Heights, OH (US)

(73) Assignee: **Tyler A. Stefanczyk-Lacor**, Shaker Heights, OH (US)

(**) Term: **15 Years**

(21) Appl. No.: **29/620,468**

(22) Filed: **Dec. 30, 2016**

(51) **LOC (11) Cl.** **08-05**

(52) **U.S. Cl.**
USPC **D8/105**

(58) **Field of Classification Search**

USPC D3/207, 208, 210, 318; D7/318, D7/354-361, 393-397, 401.2, 533-537, D7/622, 623; D8/12, 14, 16-19, 34, 51, D8/52, 56, 75, 76, 77, 78, 79, 80, 81, 82, D8/83, 94, 98, 99, 101, 102, 103, 104, D8/105, 107, 300, 302, 303, 305, 306, D8/307, 308, 309, 310, 315, 318, 321, D8/349, 354, 355, 356, 358, 359, 382, D8/391, 392.1, 393, 394, 396.2, 397, 398, D8/402, 503, 505, 507, 509, 510, 511, D8/523, 524, 525, 526, 527, 528, 529, D8/530, 531, 533, 538, 541, 542, 549, D8/500, 590, 605, 608, 629, 672, 703,
(Continued)

(56) **References Cited**

U.S. PATENT DOCUMENTS

D53,352 S * 5/1919 Brace 132/76.4
D116,179 S * 8/1939 Yates D8/17
D257,383 S 10/1980 Davenport D22/31

(Continued)

OTHER PUBLICATIONS

Cardsmart: 30 tools in 1 Credit Card Multitool: Site Visited [Feb. 8, 2018]. Available from Internet URL: <https://www.trueutility.com/product/cardsmart/>.*

(Continued)

Primary Examiner — Jennifer Rivard

Assistant Examiner — Catherine S Posthauer

(57) **CLAIM**

The ornamental design for an assemblable tool set for bicycles, as shown and described.

DESCRIPTION

FIG. 1 is a first perspective view showing the two components of my new design separated one from the other, with the view showing mainly front, bottom and left end features of each of the two components of the set;

FIG. 2 is a second perspective view of the two components when assembled, with the view showing mainly front, bottom and left end features of the components;

FIG. 3 is an inverted rear view of the assembled components;

FIG. 4 is a front view of one of the components;

FIG. 5 is a top view thereof;

FIG. 6 is a bottom view thereof;

FIG. 7 is a right end view thereof;

FIG. 8 is a left end view thereof;

FIG. 9 is an inverted rear view thereof;

FIG. 10 is a front view of the other of the two components of the set;

FIG. 11 is a top view thereof;

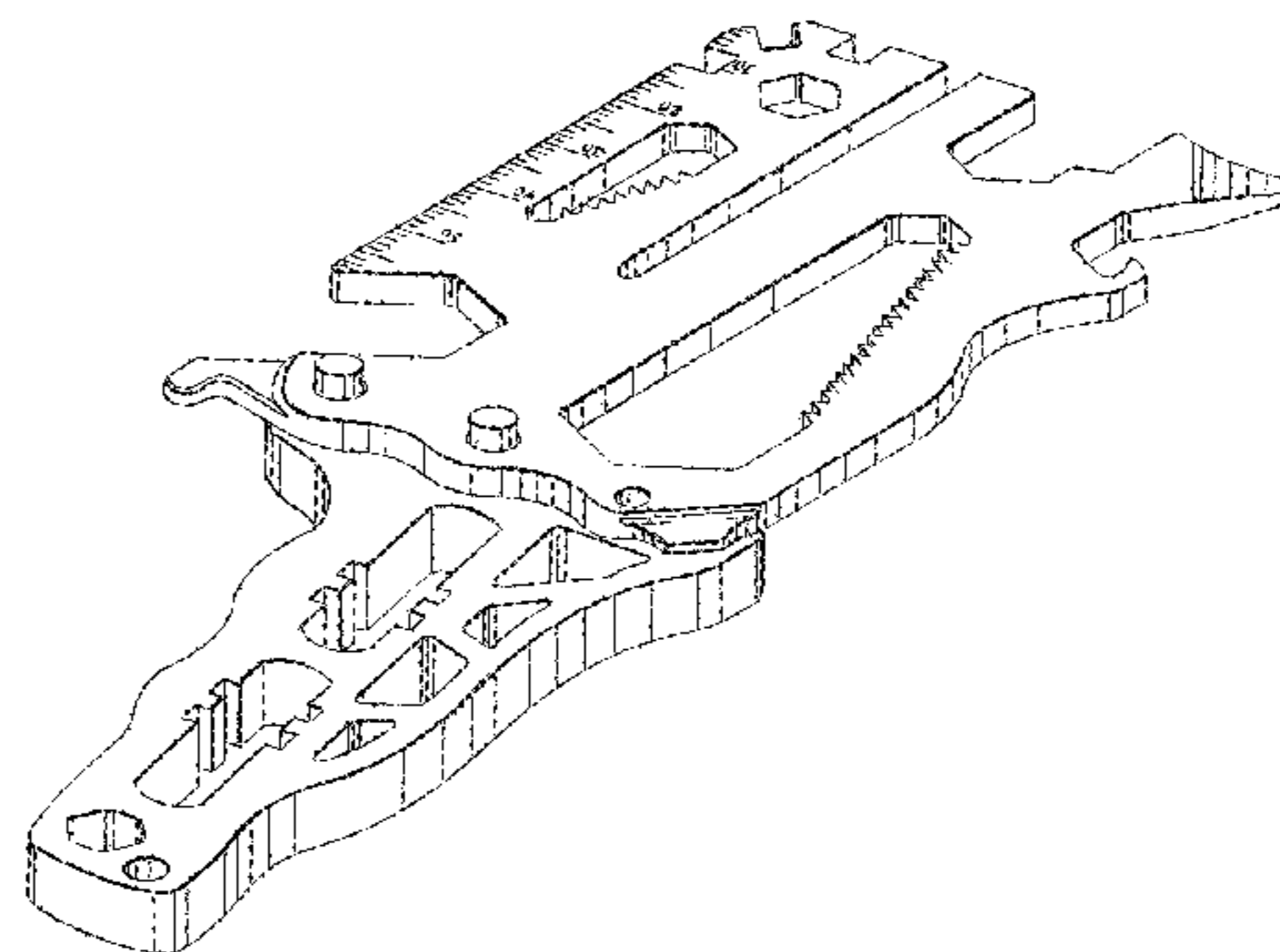
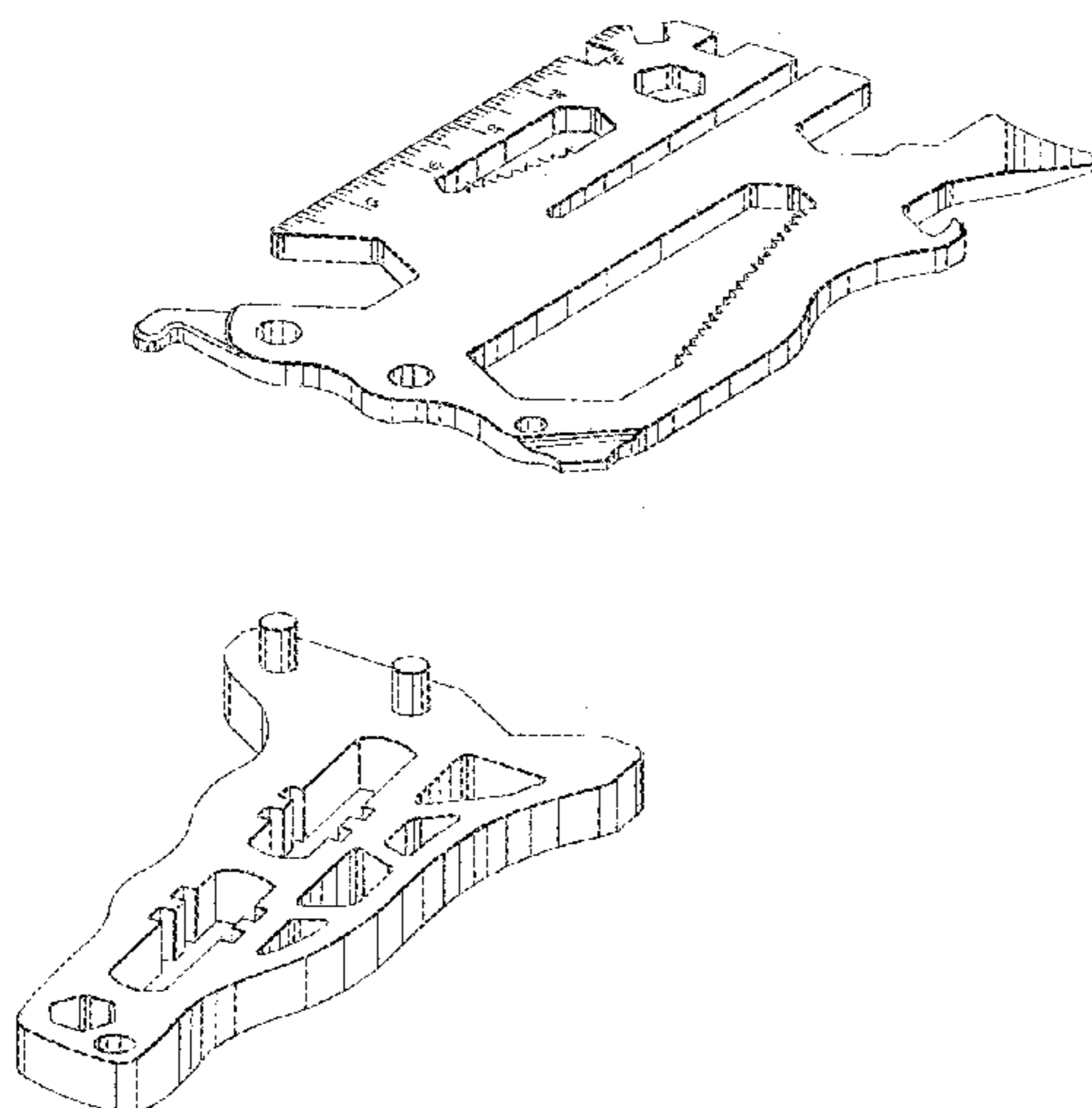
FIG. 12 is a bottom view of thereof;

FIG. 13 is a right end view thereof;

FIG. 14 is a left end view thereof; and,

FIG. 15 is an inverted rear view thereof.

1 Claim, 4 Drawing Sheets



(58) **Field of Classification Search**

USPC D8/900, 46, 47, 35, 499; D15/135;
 D32/46-49; D9/434, 443, 455, 907
 CPC B65B 69/0008; B65B 69/0033; B65B
 69/005; B25F 1/00; B25F 1/02; B25F
 1/04; B25F 3/00; B26B 11/00; B26B
 23/00; B08B 1/00; B08B 3/026; B08B
 7/02; B63B 2059/082; B63B 59/06; B63B
 59/08; B25G 1/085; A45C 11/324; Y10T
 279/3406

See application file for complete search history.

(56) **References Cited**

U.S. PATENT DOCUMENTS

D266,479 S	*	10/1982	Hayakawa	D8/17
D302,232 S	*	7/1989	Hoffman	D8/18
D346,732 S	*	5/1994	Riblett	D8/306
D393,578 S	*	4/1998	Keddie	81/124.4
D395,999 S	*	7/1998	Schmidt	D8/358
D417,372 S	*	12/1999	Cachot	D8/17
D436,311 S	*	1/2001	Edvardsson	D8/382
D458,828 S	*	6/2002	Starrett	D8/51
D517,902 S	*	3/2006	Peterson	D8/358
D552,969 S	*	10/2007	Bobrowski	D8/354
D553,969 S	*	10/2007	Allsopp	D8/394
D554,477 S	*	11/2007	Conley	D8/354
D564,864 S	*	3/2008	Johnson	D8/354
D666,883 S		9/2012	Howard et al.	D8/19
D686,486 S	*	7/2013	Densmore	D8/349
D705,034 S		5/2014	Connell	D8/105
D707,091 S		6/2014	Barr	D8/16
D726,517 S		4/2015	Fischer	D8/17
D743,760 S		11/2015	Barr et al.	D8/19
D747,947 S		1/2016	Ma	D8/105

D748,956 S		2/2016	Goeckel	D8/19
D751,877 S		3/2016	Shlaferman	D8/19
D756,178 S		5/2016	Kelleghan	D8/19
D758,824 S		6/2016	Kelleghan	D8/105
D763,235 S	*	8/2016	Brown	D14/239
D767,363 S		9/2016	Barr	D8/99
D770,775 S	*	11/2016	Robertson, III	D3/318
D772,678 S		11/2016	Haarburger	D8/105
D780,550 S	*	3/2017	Manor	D8/105
D787,917 S	*	5/2017	Kennelly	D8/354
D792,749 S	*	7/2017	Faro	D8/19
D799,297 S	*	10/2017	Manor	D8/105
D799,301 S	*	10/2017	Cetera	D8/105
D801,139 S	*	10/2017	Cheng	D8/19
D804,608 S	*	12/2017	Menard-Oxman	D22/149
D808,765 S	*	1/2018	Kisling	D8/105
2014/0143958 A1	*	5/2014	Barr	B25F 1/00 7/138
2015/0240524 A1	*	8/2015	Olroyd	E05B 19/20 81/15.9

OTHER PUBLICATIONS

Lever Gear Toolcard Pro with Clip: Announced Dec. 5, 2016 [online]. Site Visited [Feb. 16, 2018]. Available from Internet URL: <https://www.amazon.com/Lever-Gear-Toolcard-Pro-Clip/product-reviews/B01N00RERR/r>.*

Credit Card Multi-Tool (1 Page) Bed Bath & Beyond On-Line Site, Mar. 9, 2017.

Broke Bike Alley Business Card Tool (1 Page) Broke Bike Alley On-Line Site Mar. 9, 2017.

Silverback 12 Function Multi-Tool (1 Page) homedepot.com Website Mar. 9, 2017.

CHA/O/HA Multi-Tool EDC Card (1 Page) CHA/O/HA On-line Website Mar. 9, 2017.

* cited by examiner

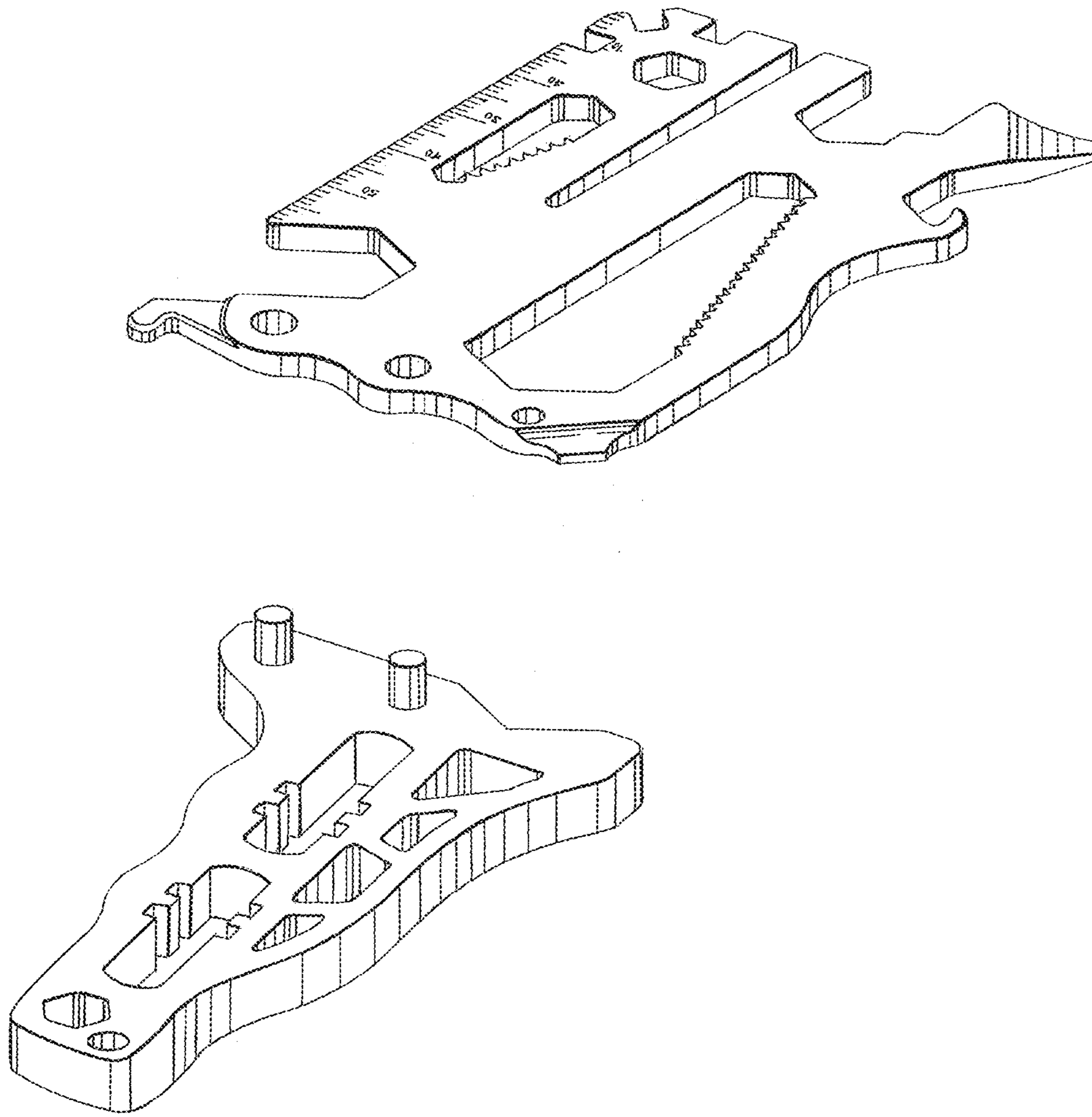


FIG. 1

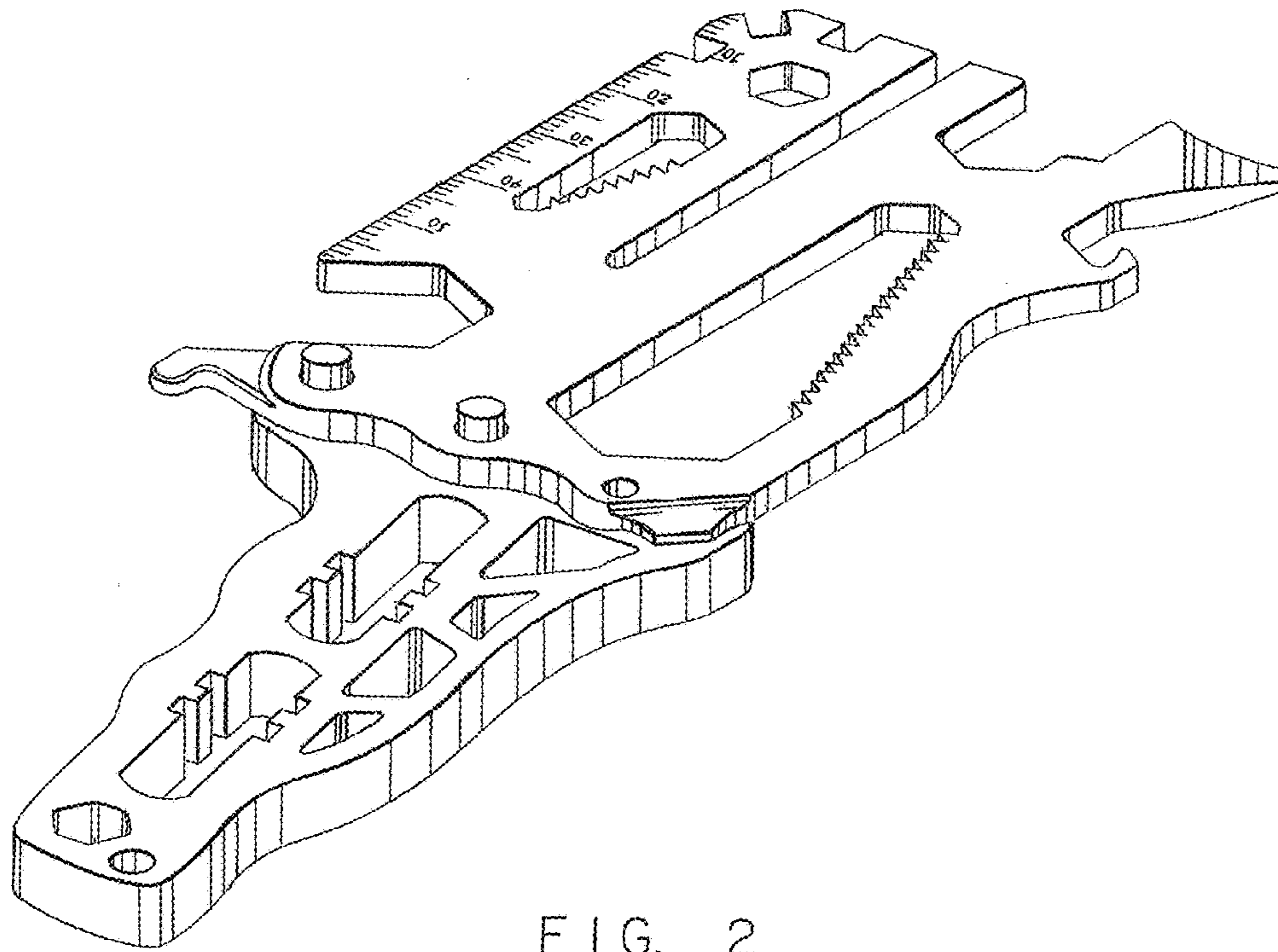


FIG. 2

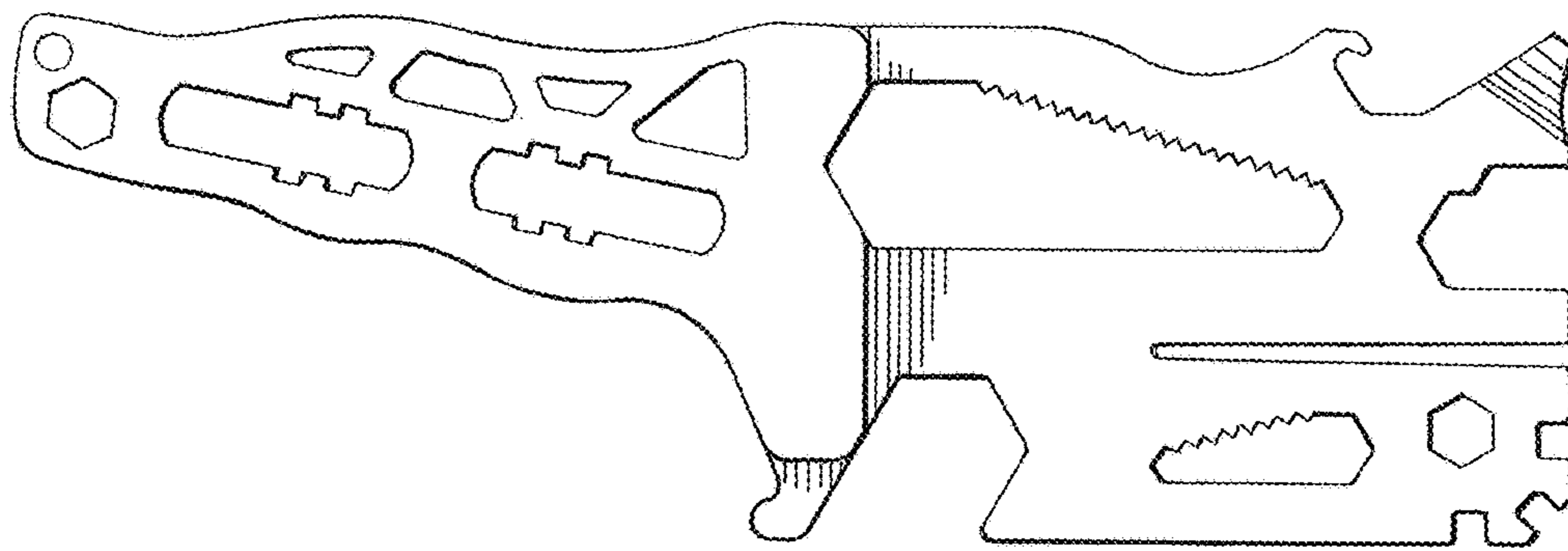


FIG. 3

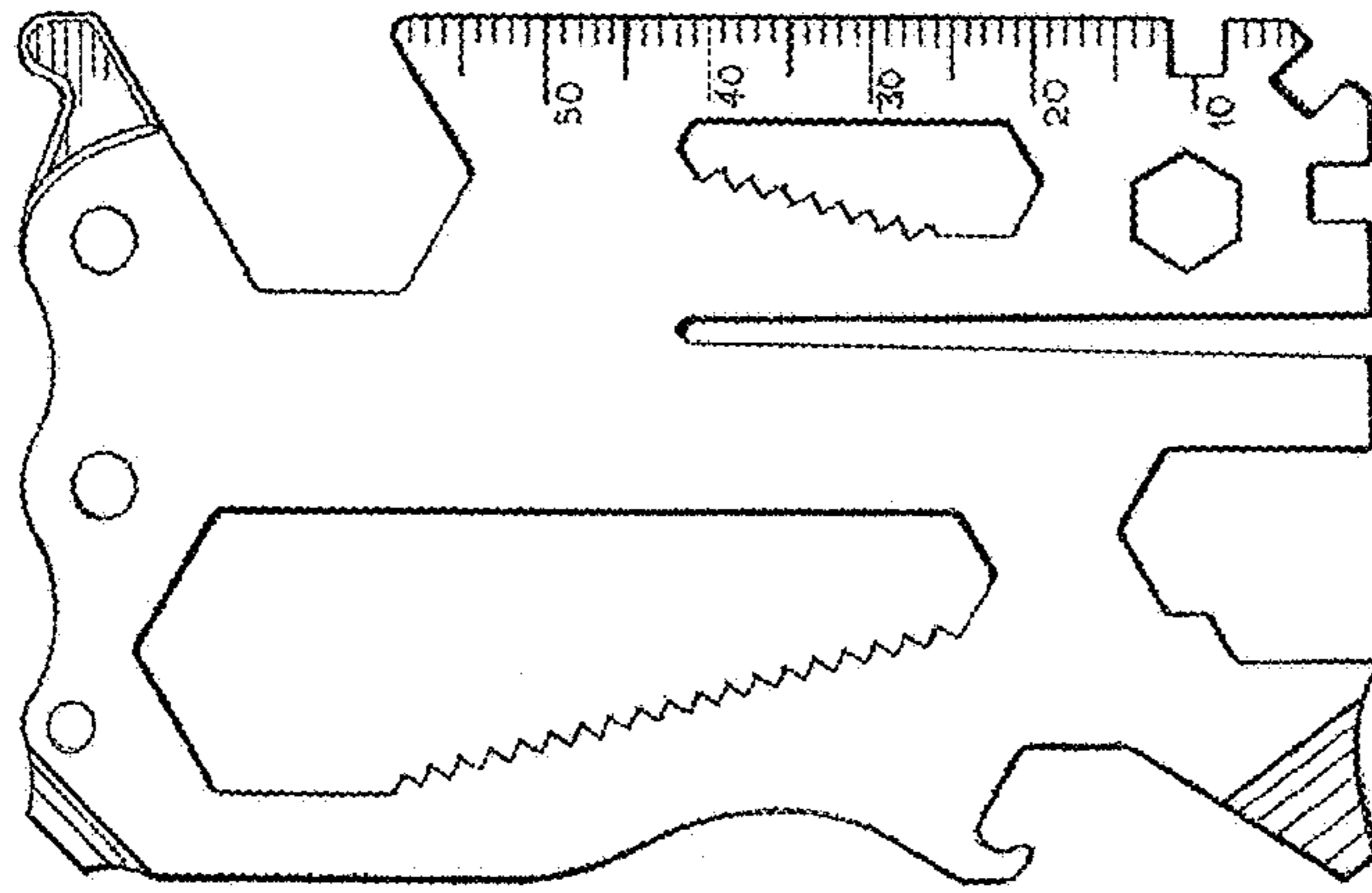


FIG. 4

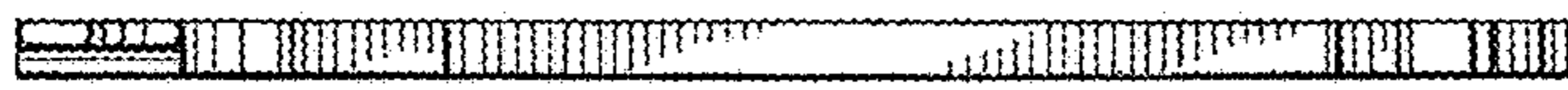


FIG. 5



FIG. 6

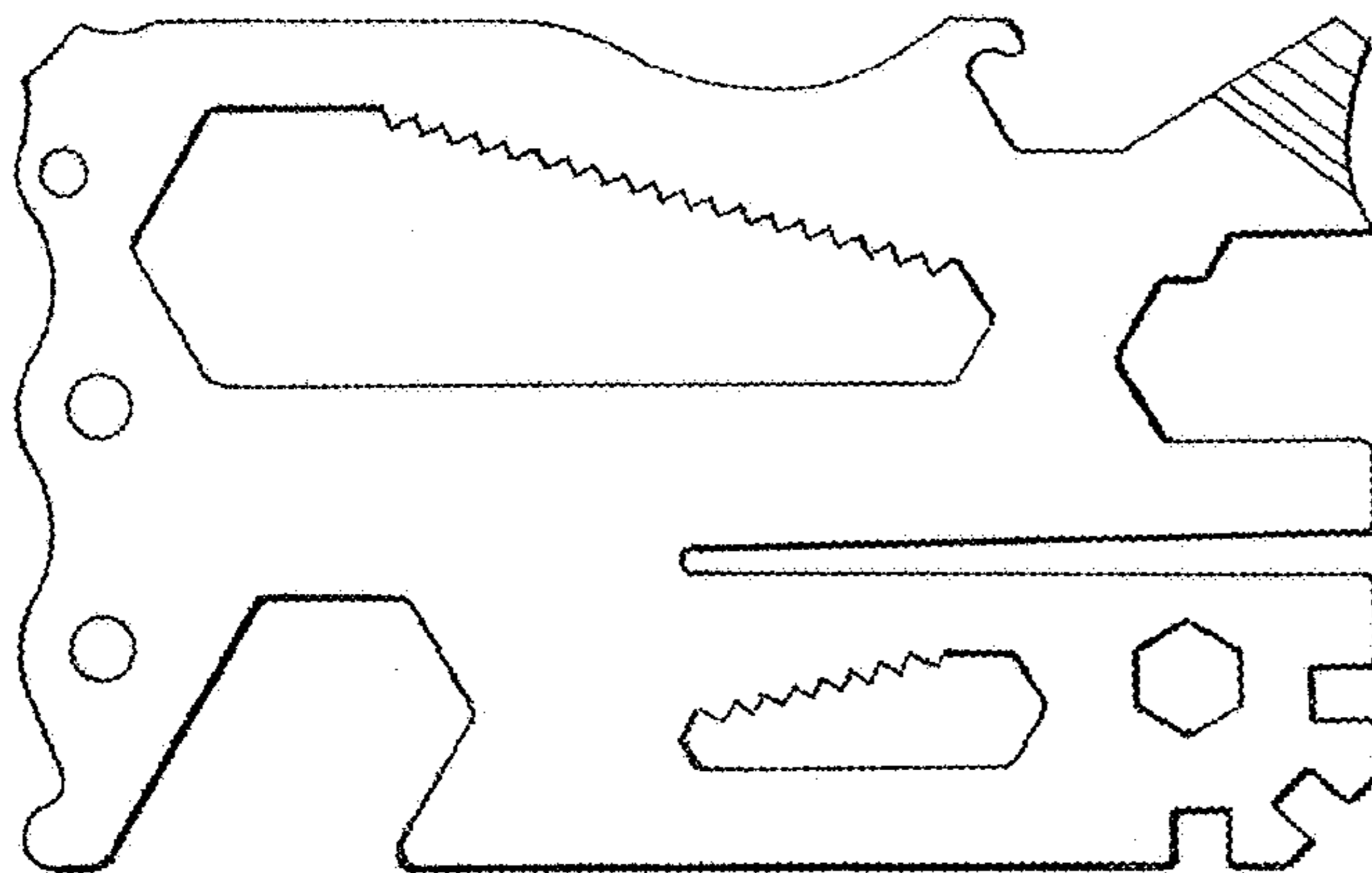


FIG. 9



FIG. 7

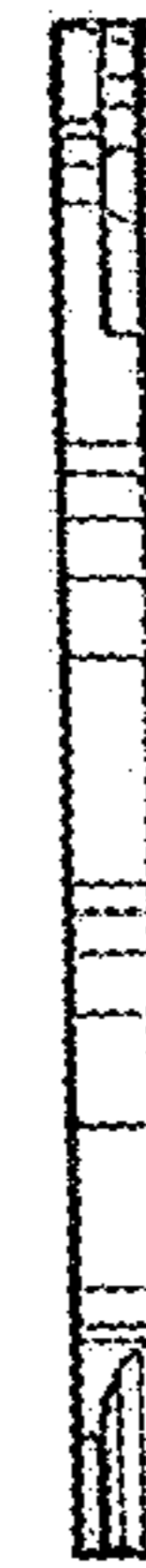


FIG. 8

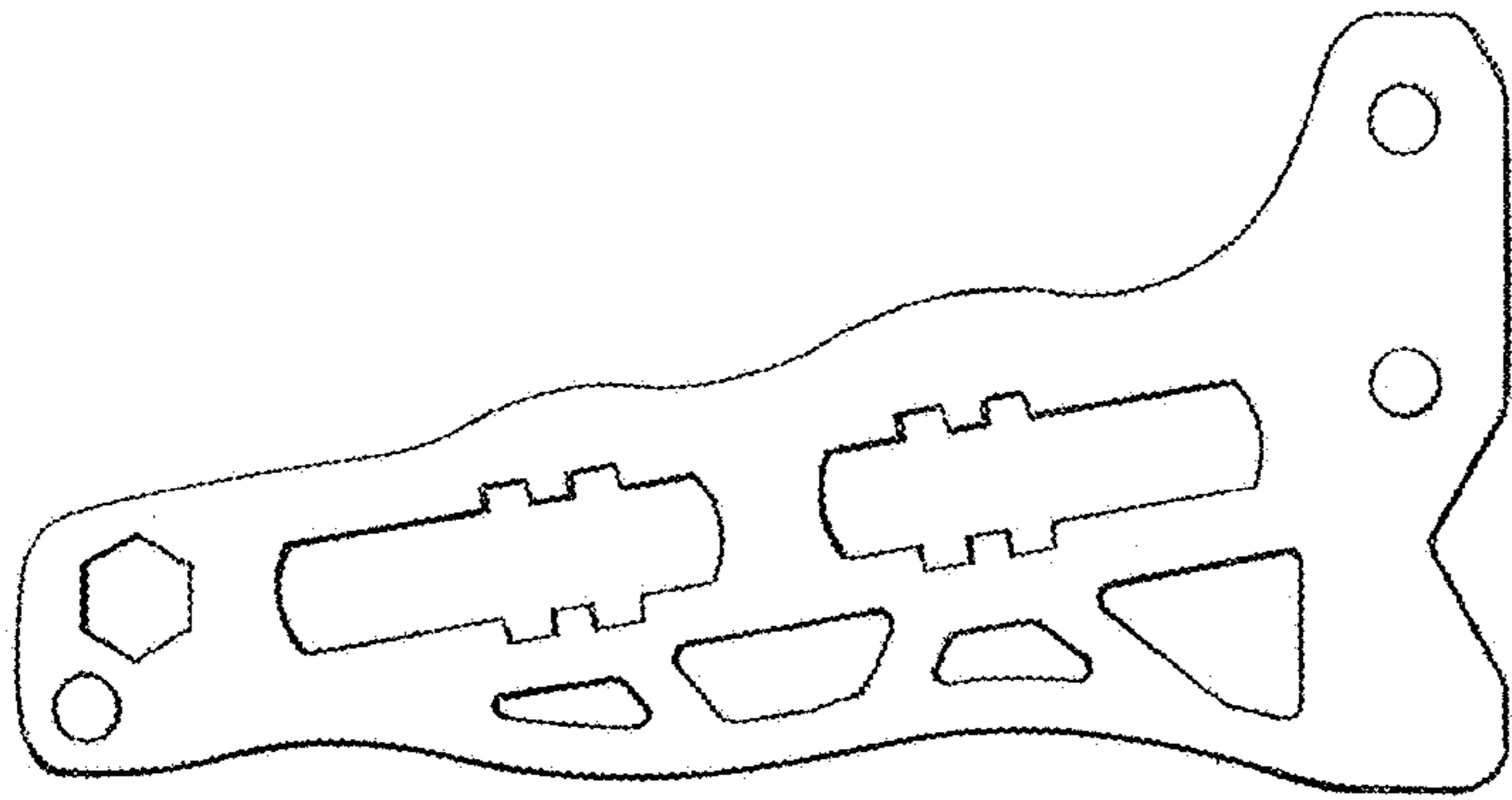


FIG. 10

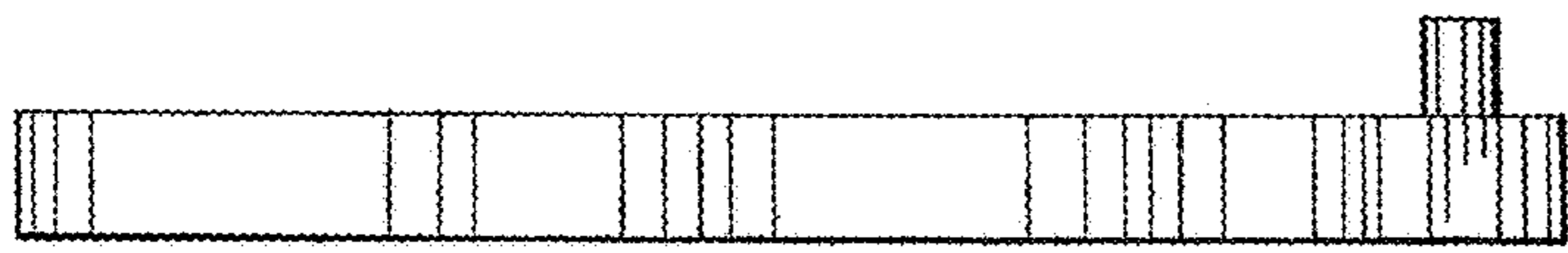


FIG. 11

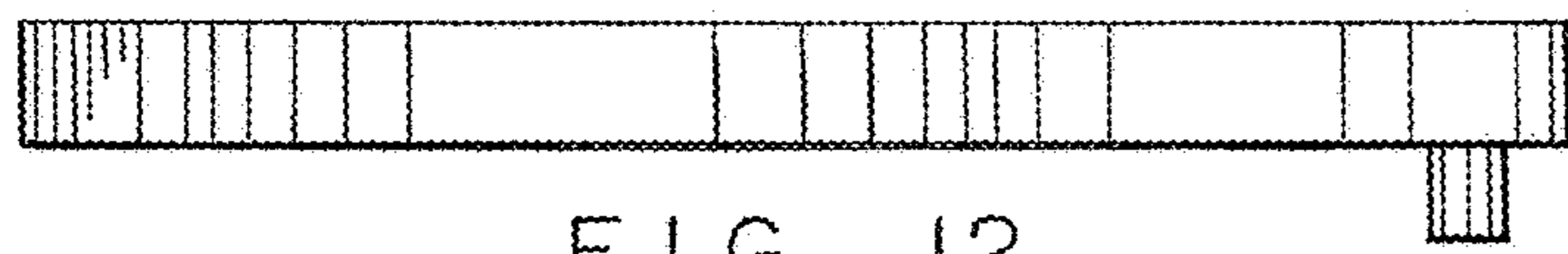


FIG. 12

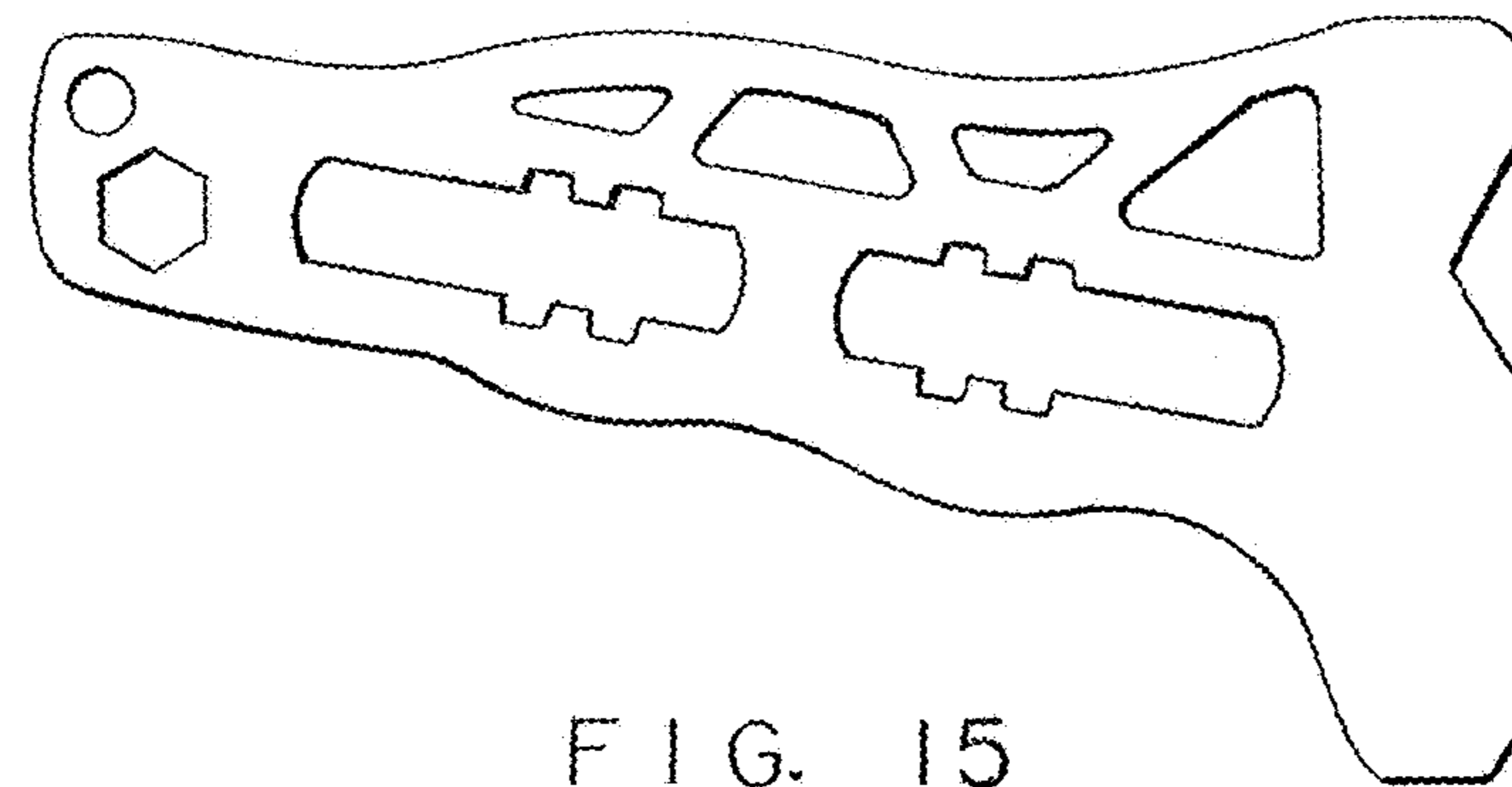


FIG. 15

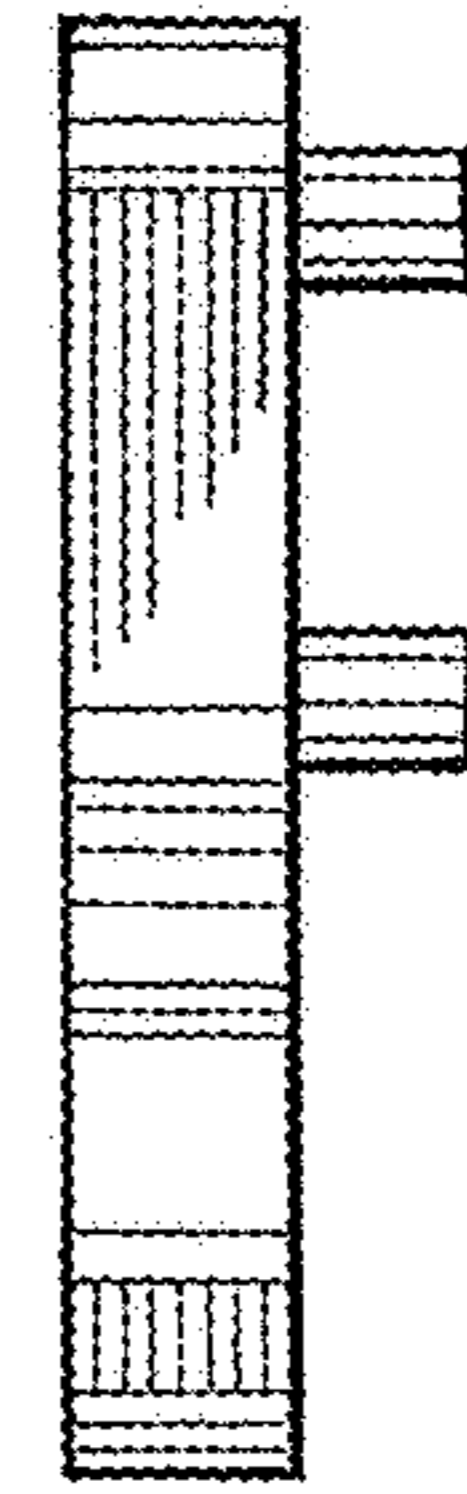


FIG. 13

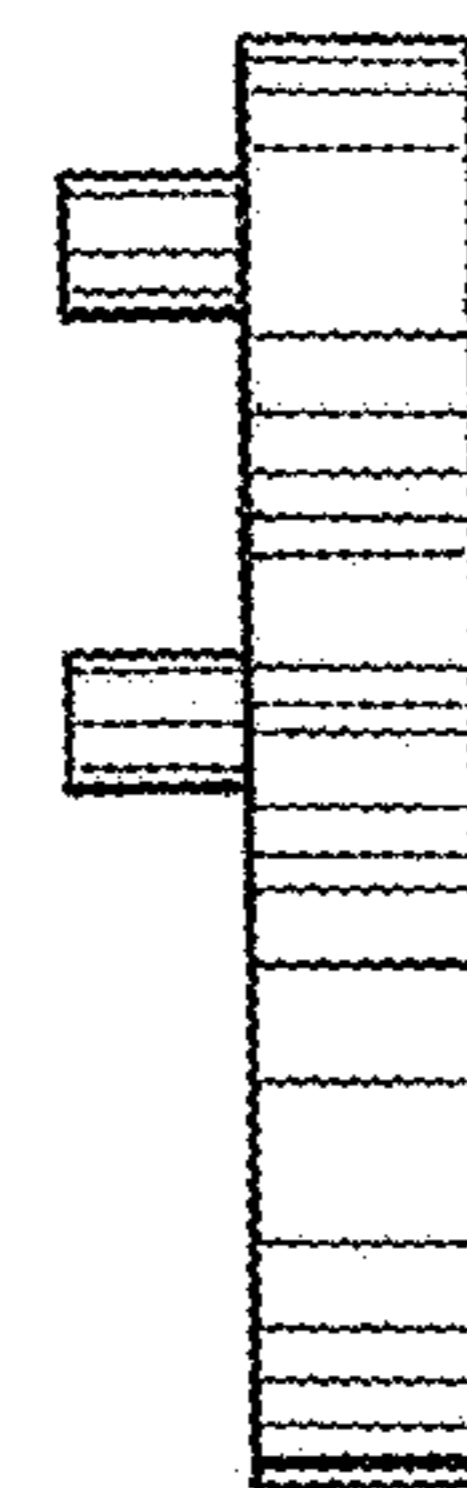


FIG. 14