



US00D827407S

(12) **United States Design Patent**  
**Ryan et al.**

(10) **Patent No.:** **US D827,407 S**  
(45) **Date of Patent:** **\*\* Sep. 4, 2018**

- (54) **CONFORMABLE SANDING BLOCK**
- (71) Applicant: **Malco Products, Inc.**, Annandale, MN (US)
- (72) Inventors: **John Thomas Ryan**, Dassel, MN (US); **Anthony Mark Rea**, Cedar, MN (US); **Scott A. Olson**, Chippewa Falls, WI (US); **Andrew J. Janetski**, Birchwood, WI (US); **Tyler Buchanan**, Chippewa Falls, WI (US)
- (73) Assignee: **Malco Products, Inc.**, Annandale, MN (US)

- 5,007,483 A 4/1991 McGuire
- 5,022,190 A 6/1991 Hutchins
- 5,203,123 A 4/1993 Travis
- 5,662,519 A \* 9/1997 Arnold ..... B24D 15/04  
451/495
- 6,261,031 B1 7/2001 Stipe et al.
- D451,778 S \* 12/2001 Wheeler ..... D8/90
- 8,007,349 B2 \* 8/2011 Turnbull ..... B24D 15/04  
451/523
- 8,062,101 B1 11/2011 Friend
- 8,834,235 B1 \* 9/2014 Foster ..... B24D 15/04  
451/344
- 9,156,135 B1 \* 10/2015 Foster ..... B24D 15/04  
(Continued)

(\*\*) Term: **15 Years**

(21) Appl. No.: **29/593,821**

(22) Filed: **Feb. 13, 2017**

(51) **LOC (11) Cl.** ..... **08-05**

(52) **U.S. Cl.**  
USPC ..... **D8/90**

(58) **Field of Classification Search**  
USPC ..... D8/90  
CPC ..... B24D 15/00; B24D 15/02; B24D 15/04;  
B24D 18/0009

See application file for complete search history.

(56) **References Cited**

**U.S. PATENT DOCUMENTS**

- 2,256,098 A 9/1941 Mauldin
- 3,089,294 A \* 5/1963 Cowley ..... B24D 13/14  
451/490
- 4,206,574 A 6/1980 Dotsko
- 4,640,060 A 2/1987 Lukianoff
- 4,671,019 A 6/1987 Hutchins
- 4,671,020 A 6/1987 Hutchins
- 4,839,995 A 6/1989 Hutchins
- 4,887,396 A 12/1989 Lukianoff
- 5,005,005 A 4/1991 Brossia et al.

**OTHER PUBLICATIONS**

Wurth, Flex Sanders, Feb. 2012.

(Continued)

*Primary Examiner* — Philip S Hyder

(74) *Attorney, Agent, or Firm* — Briggs and Morgan, P.A.; Gerald E. Helget

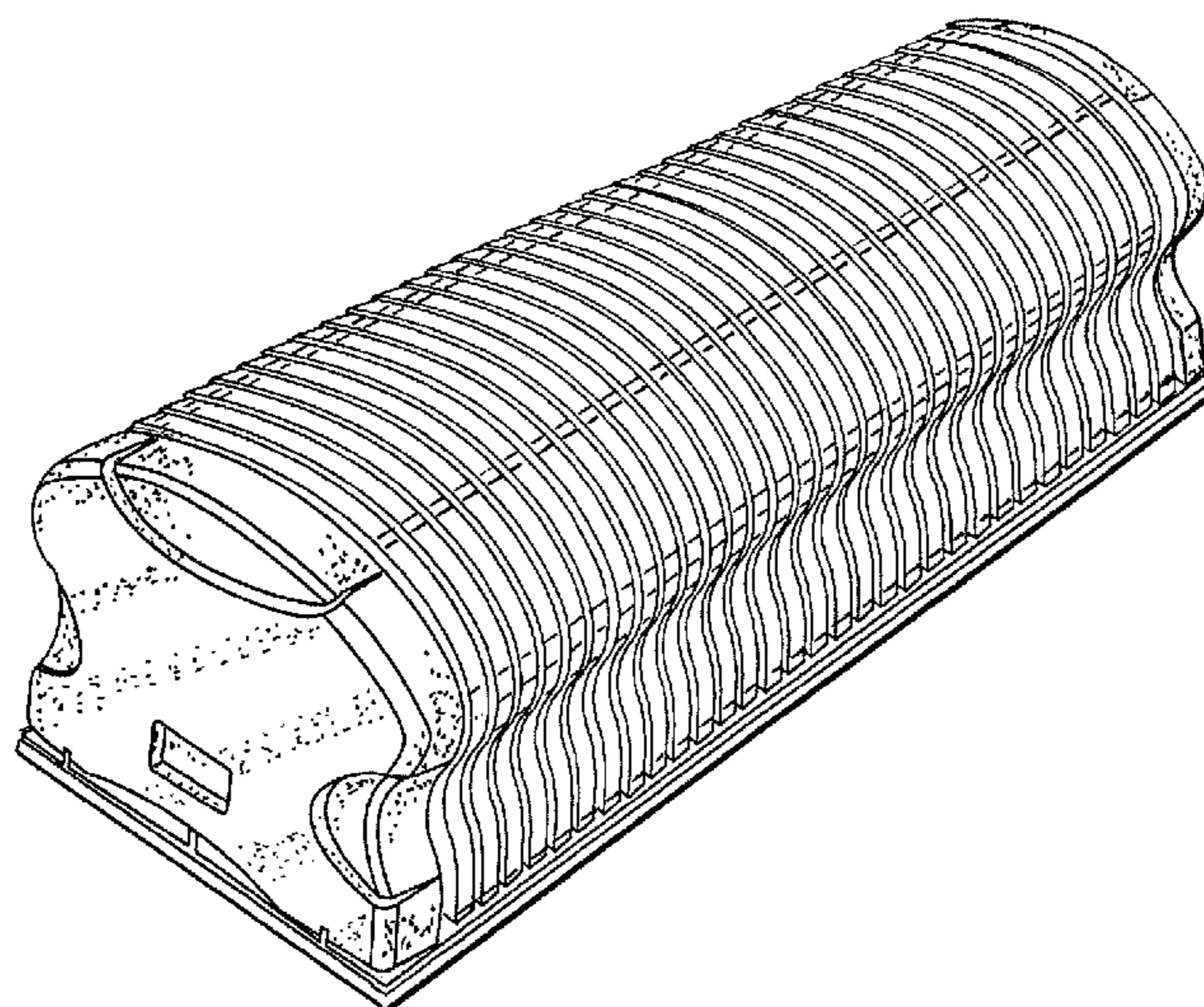
(57) **CLAIM**

The ornamental design for a conformable sanding block, as shown and described.

**DESCRIPTION**

FIG. 1 is a perspective view showing my new design for a conformable sanding block;  
 FIG. 2 is a left side elevational view which is a mirror image of the right side elevational view;  
 FIG. 3 is a front elevational view which is a mirror image of the rear elevational view;  
 FIG. 4 is a bottom plan view;  
 FIG. 5 is a top plan view;  
 FIG. 6 is a front elevational view in a convex condition; and,  
 FIG. 7 is a front elevational view in a concave condition.

**1 Claim, 3 Drawing Sheets**



(56)

**References Cited**

U.S. PATENT DOCUMENTS

2017/0320194 A1\* 11/2017 Ryan ..... B24D 15/04

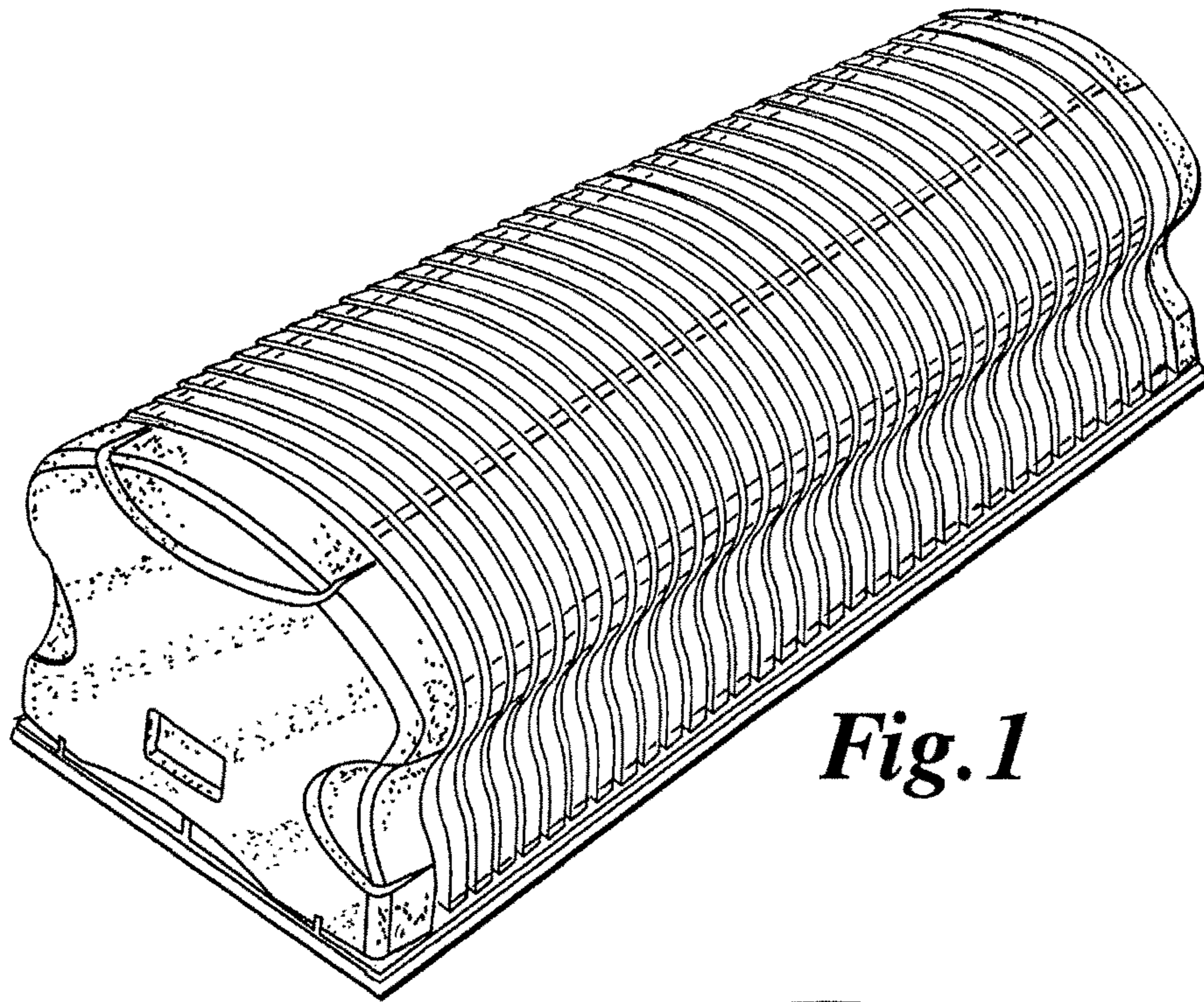
OTHER PUBLICATIONS

Greenlight Surfboard Supply, Hook & Loop Sandpaper Strips for Sanding Blocks, Dec. 20, 2016.

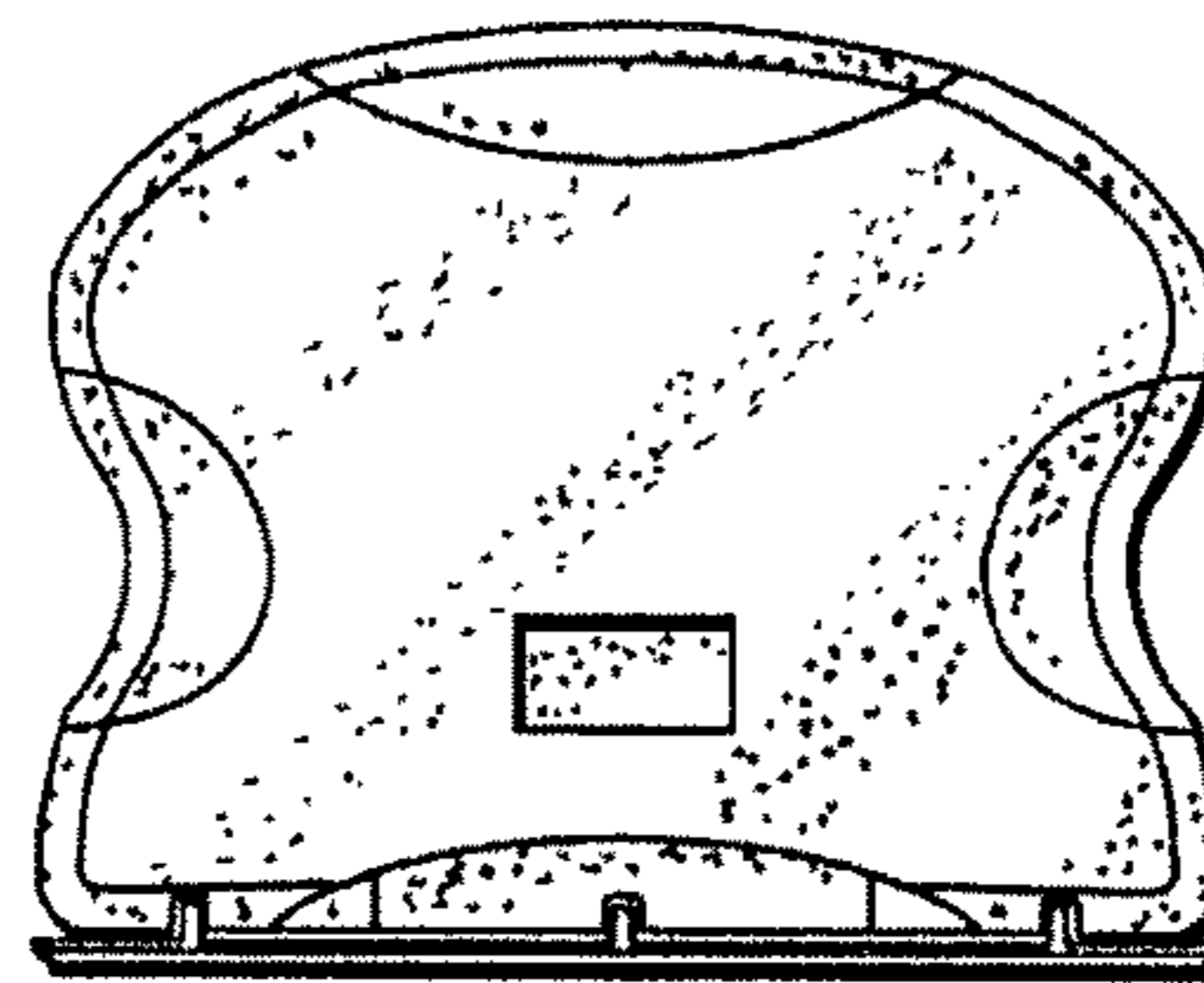
3M Automotive Aftermarket Division, Paper, Sand. Clean Sanding Sheet Rolls.

\* cited by examiner

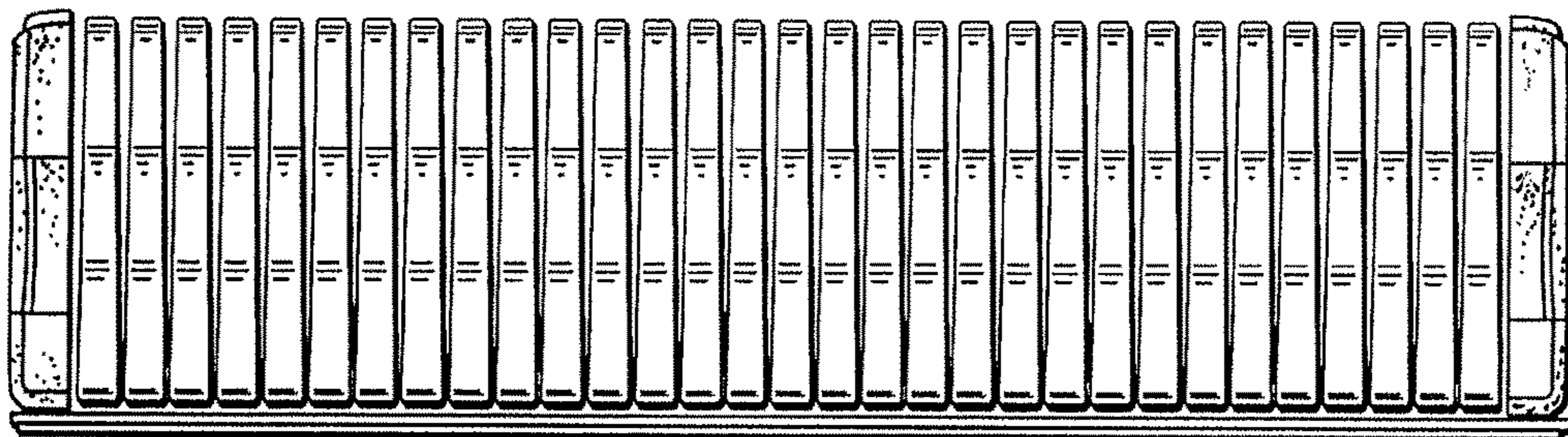




*Fig. 1*

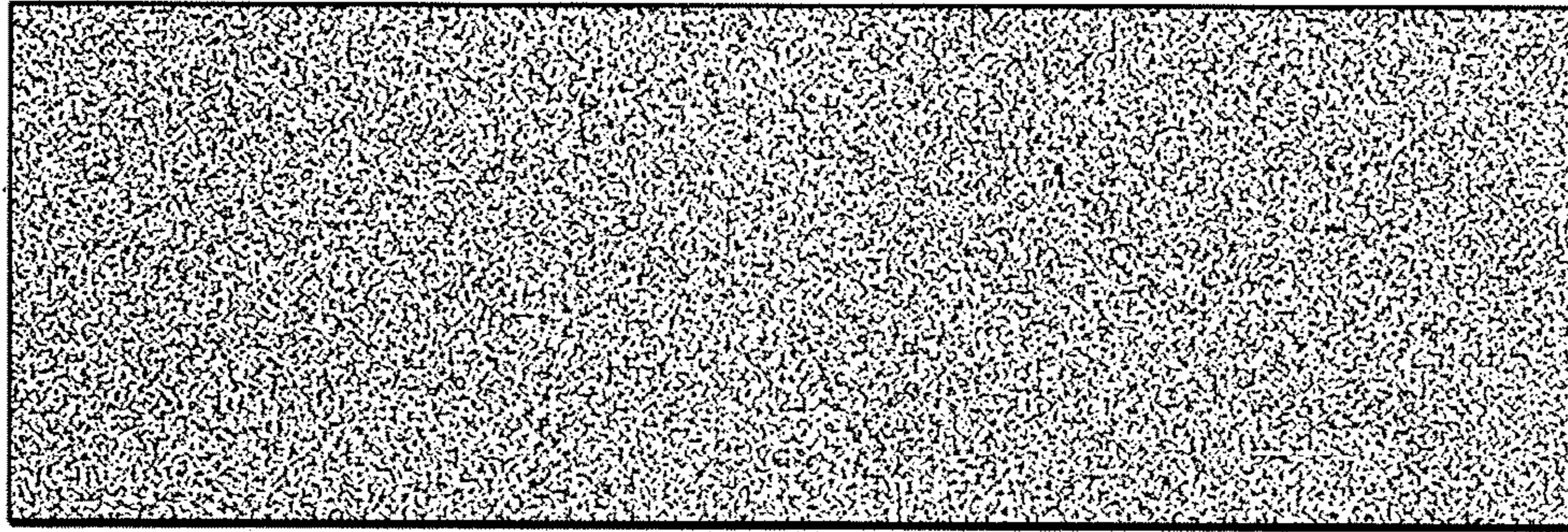


*Fig. 2*

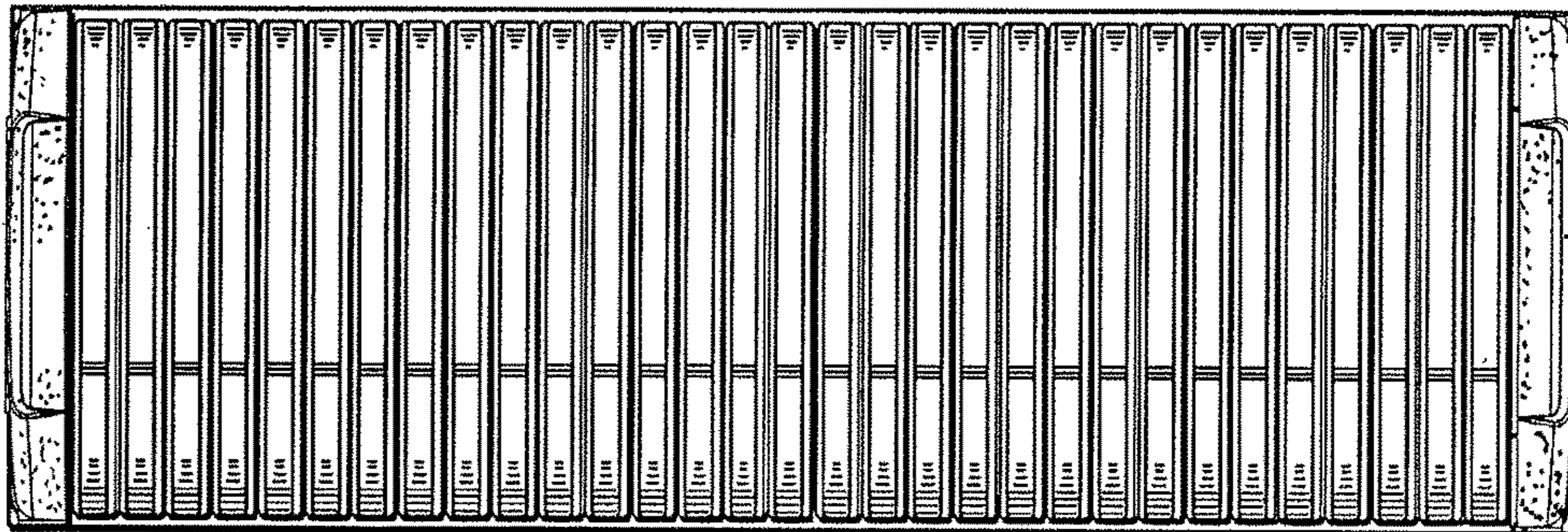


*Fig. 3*

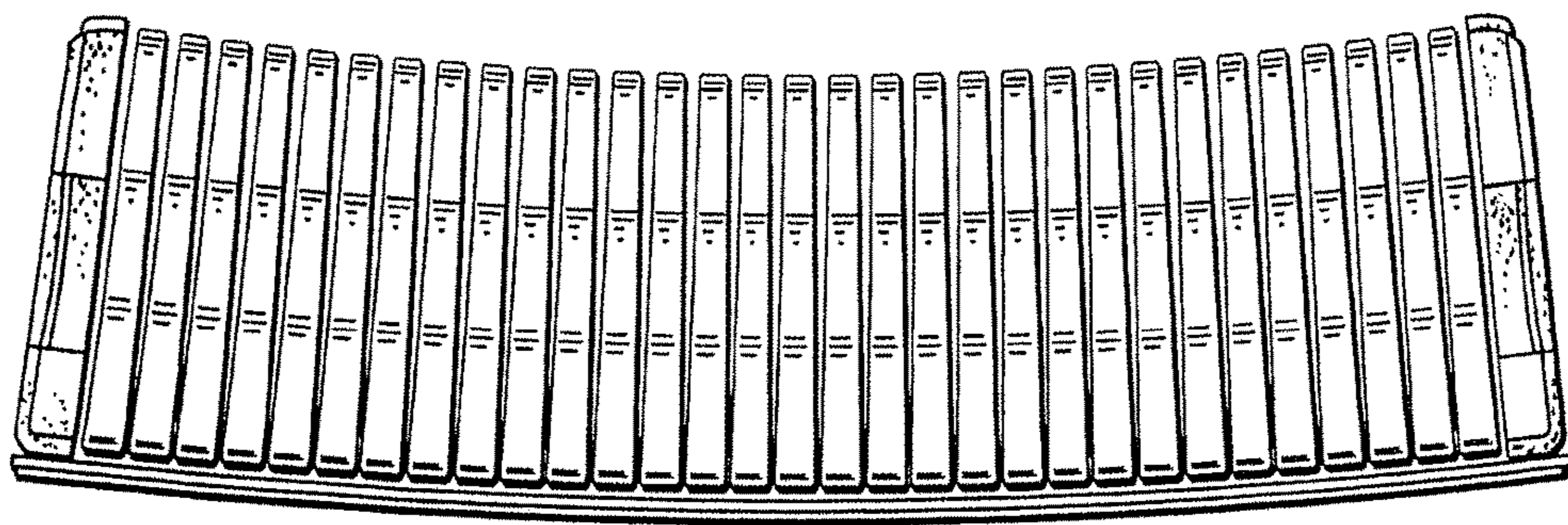




*Fig. 4*

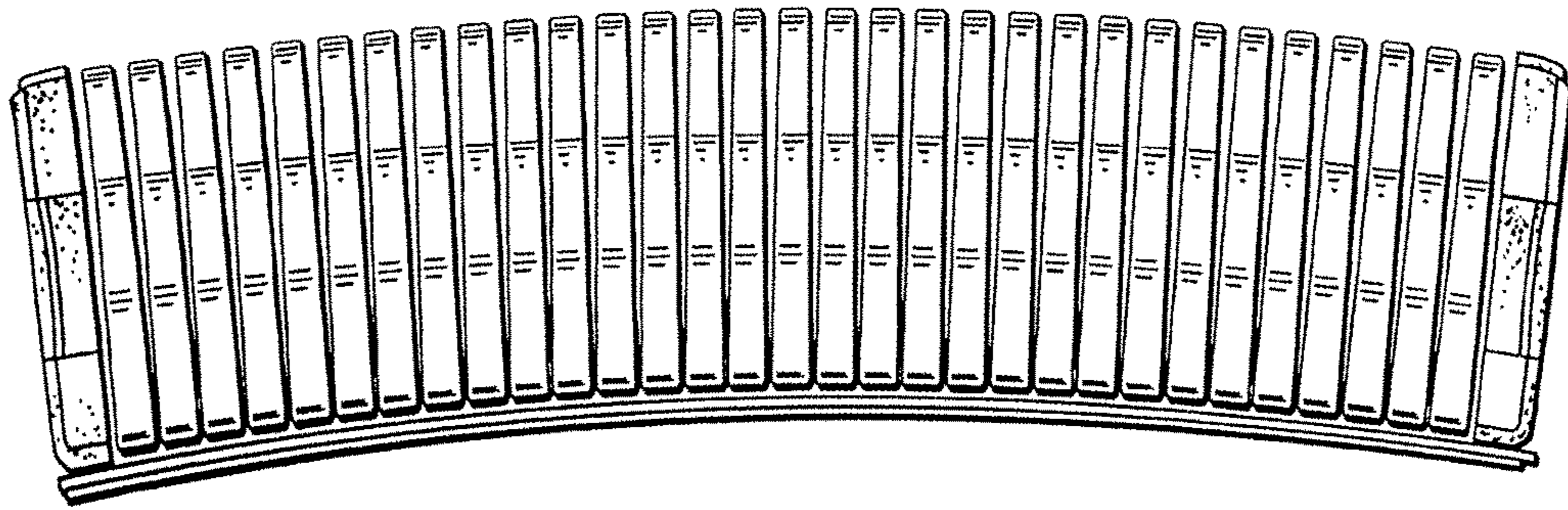


*Fig. 5*



*Fig. 6*





*Fig. 7*