



US00D827405S

(12) **United States Design Patent**
Chun

(10) **Patent No.:** **US D827,405 S**

(45) **Date of Patent:** **** Sep. 4, 2018**

(54) **ADJUSTABLE SCREW CLAMP**

(71) Applicant: **James Chun**, Fremont, WA (US)

(72) Inventor: **James Chun**, Fremont, WA (US)

(**) Term: **15 Years**

(21) Appl. No.: **29/603,395**

(22) Filed: **May 9, 2017**

(51) **LOC (11) Cl.** **08-05**

(52) **U.S. Cl.**
USPC **D8/72**

(58) **Field of Classification Search**

USPC D8/71-74, 394-399, 354, 355, 356, 59;
248/62, 63, 72, 74.1, 689, 124.2; 81/487,
81/385, 386, 388-390; 269/3, 4, 6, 143,
269/165, 240, 243, 246-249, 254 R,
269/147-149; 29/256, 257, 276;
D15/140; D24/143; 408/103, 104-109;
D7/683, 685, 686; D6/684
CPC B25B 1/00; B25B 5/00; B25B 1/2478;
B25B 1/103; B25B 1/22; B25B 1/2405;
B25B 1/2457

See application file for complete search history.

(56) **References Cited**

U.S. PATENT DOCUMENTS

D140,862 S * 4/1945 Conlan D13/161
D269,064 S * 5/1983 Ericsson D8/356
D269,065 S * 5/1983 Hough, Jr. D8/356
D406,036 S * 2/1999 Flachslaender D8/74
D559,672 S * 1/2008 Alexander D8/384
D576,479 S * 9/2008 Alexander D8/384

D607,711 S * 1/2010 Adams D8/354
D658,977 S * 5/2012 Riddell D8/394
D739,410 S * 9/2015 Chun D14/447
D780,743 S * 3/2017 Chun D14/253
D783,014 S * 4/2017 Chun D14/253
D801,797 S * 11/2017 Powers D8/394
D804,289 S * 12/2017 Wengreen D8/354

* cited by examiner

Primary Examiner — David Muller

Assistant Examiner — Nathan Johnston

(74) *Attorney, Agent, or Firm* — Dean Craine; Marisa Whitaker

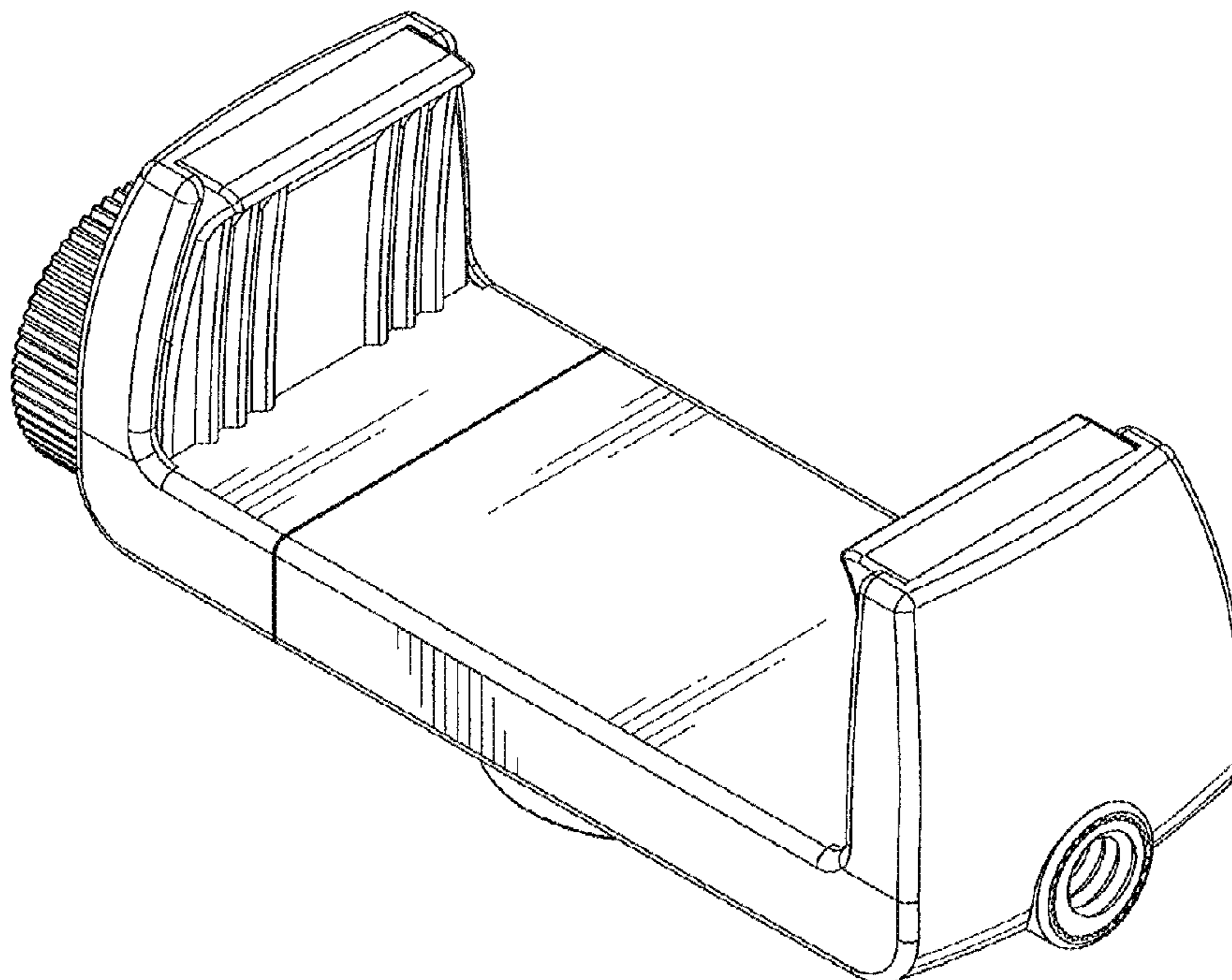
(57) **CLAIM**

The ornamental design for an adjustable screw clamp, as shown and described.

DESCRIPTION

FIG. 1 is a top perspective view of an adjustable screw clamp shown in a closed configuration showing my design. FIG. 2 is a top plan view thereof. FIG. 3 is a front elevational view thereof. FIG. 4 is a bottom view thereof. FIG. 5 is a rear elevational view thereof. FIG. 6 is a left side elevation view thereof. FIG. 7 is a right side elevation view thereof. FIG. 8 is a bottom perspective view thereof. FIG. 9 is a top perspective view of an adjustable screw clamp shown in an expanded configuration. FIG. 10 is a top plan view thereof; and, FIG. 11 is a front elevational view thereof. The broken lines show portions of the design that form no part of the claimed design.

1 Claim, 4 Drawing Sheets



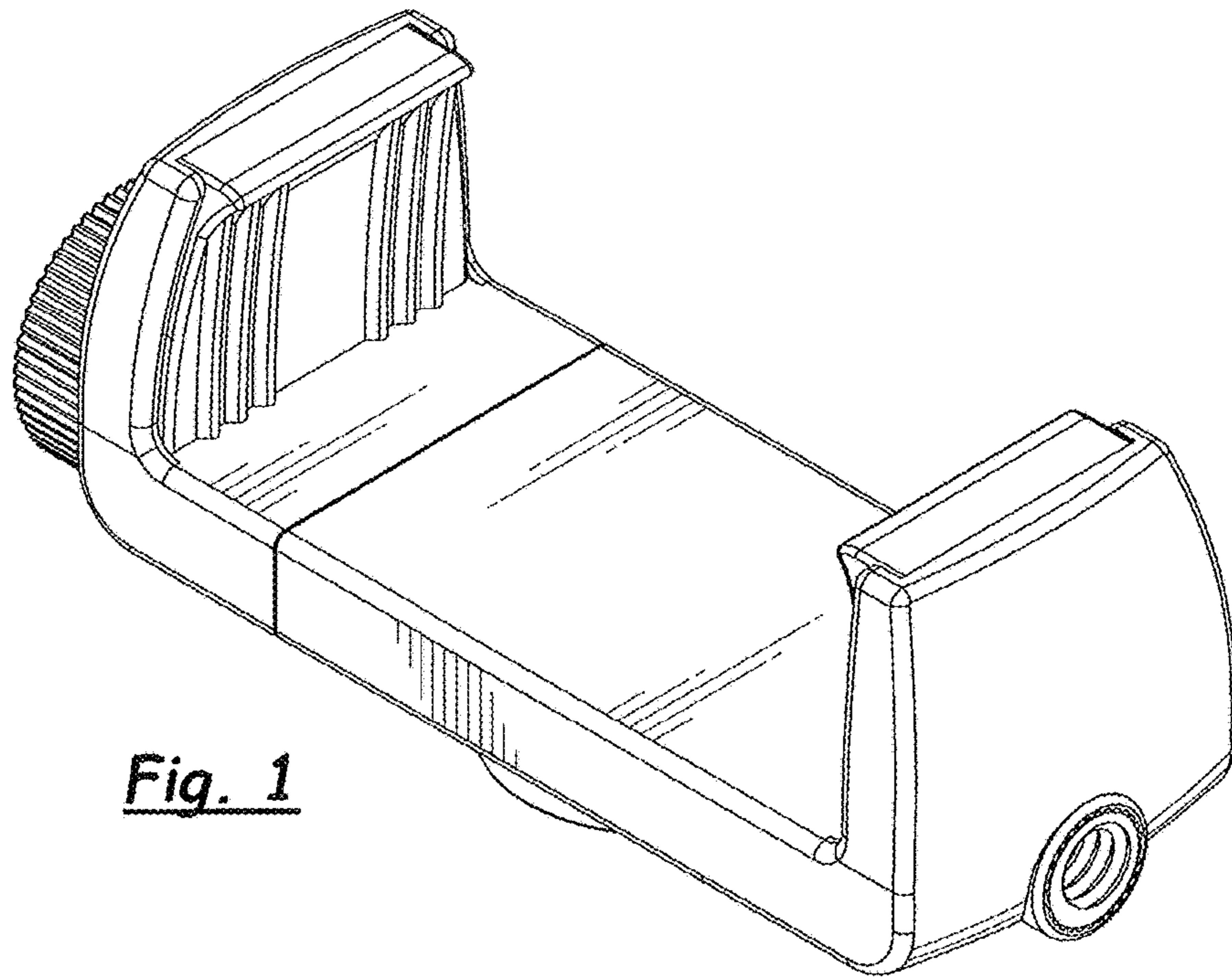


Fig. 1

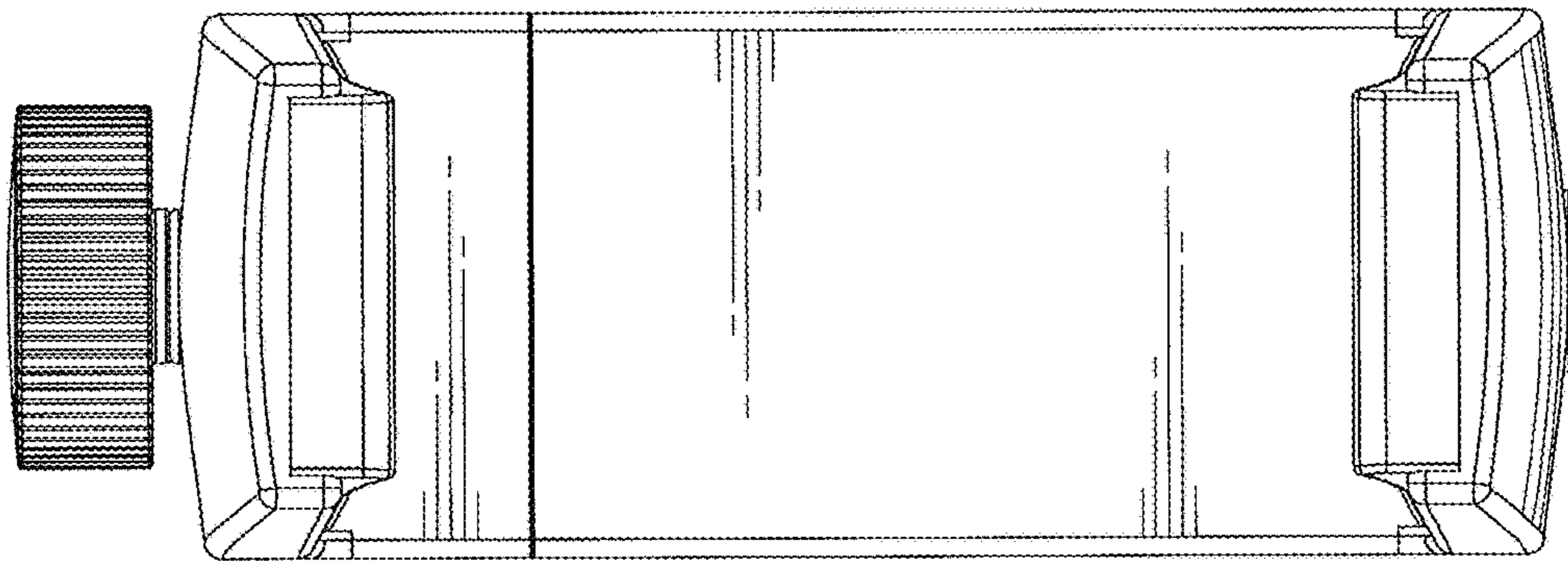


Fig. 2

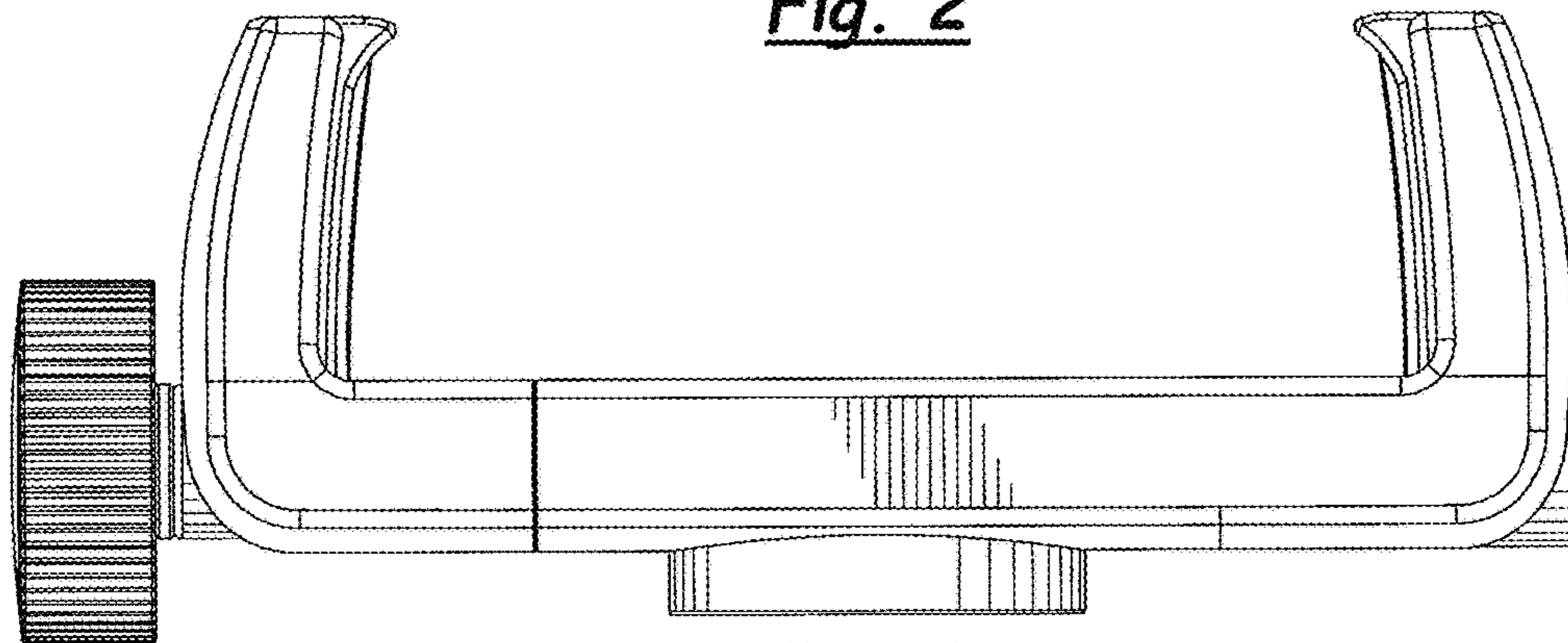


Fig. 3

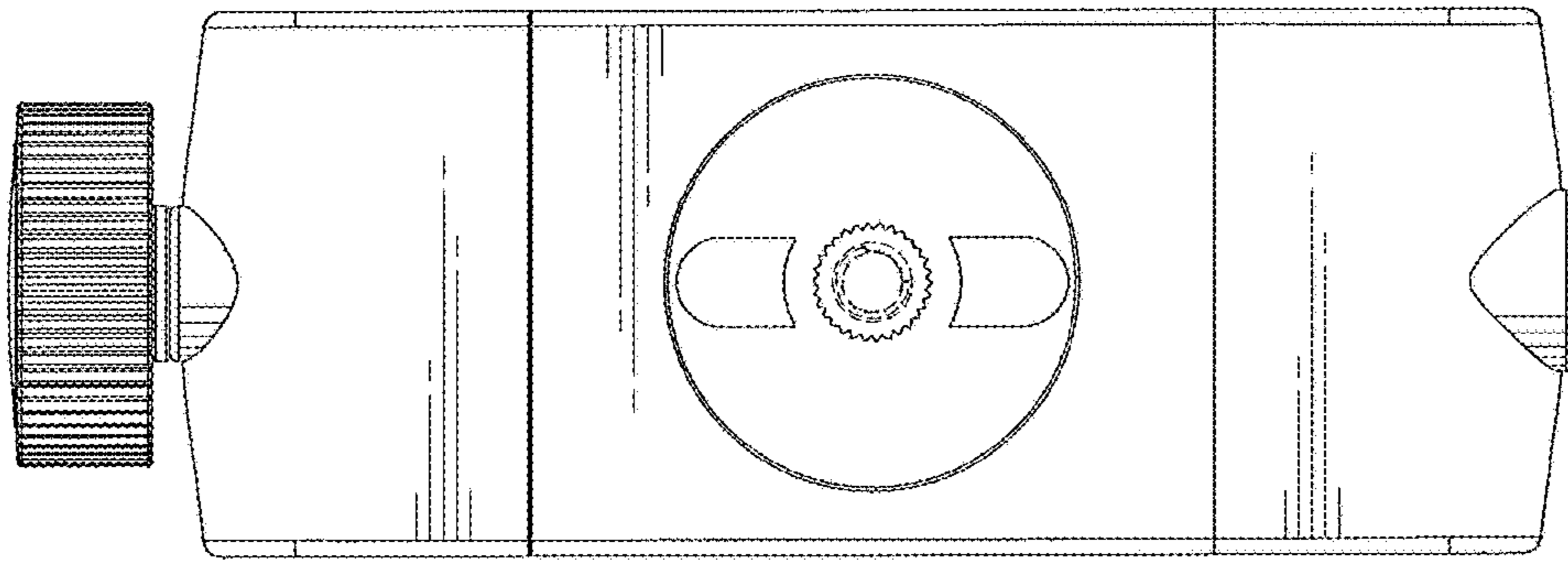


Fig. 4

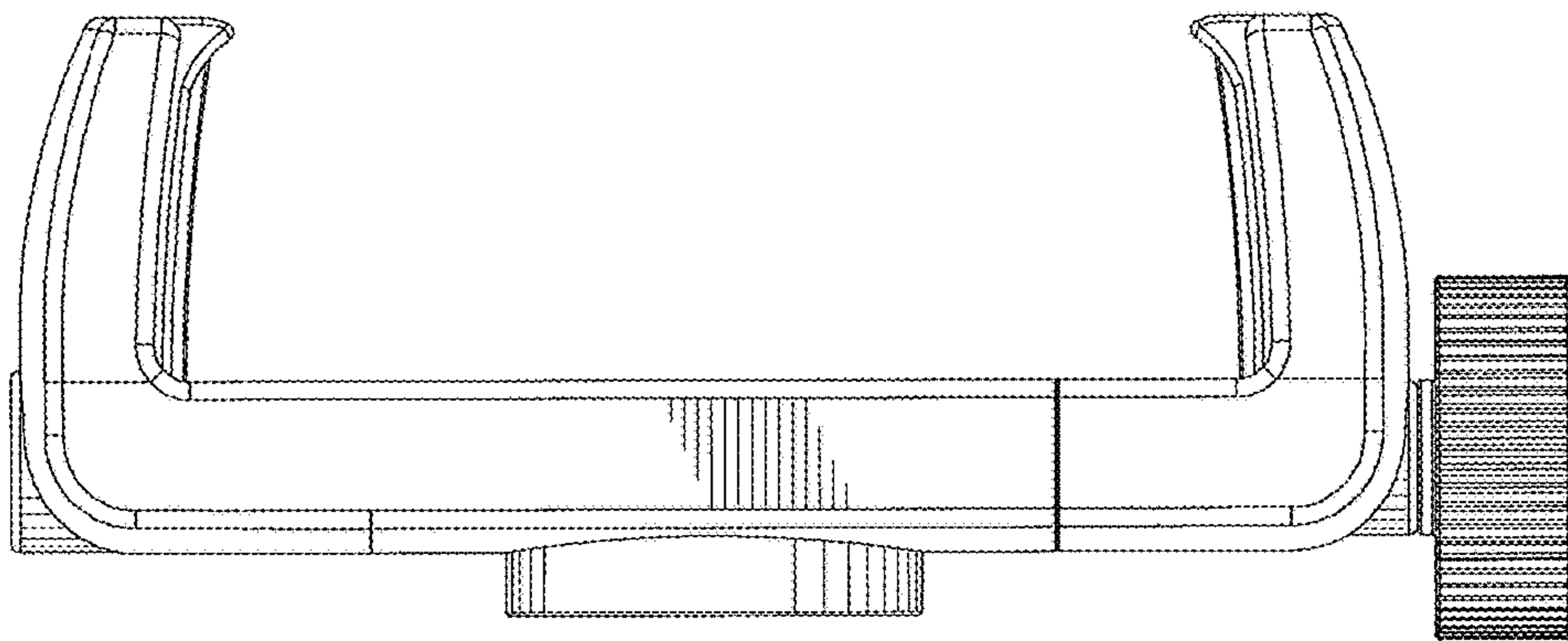


Fig. 5

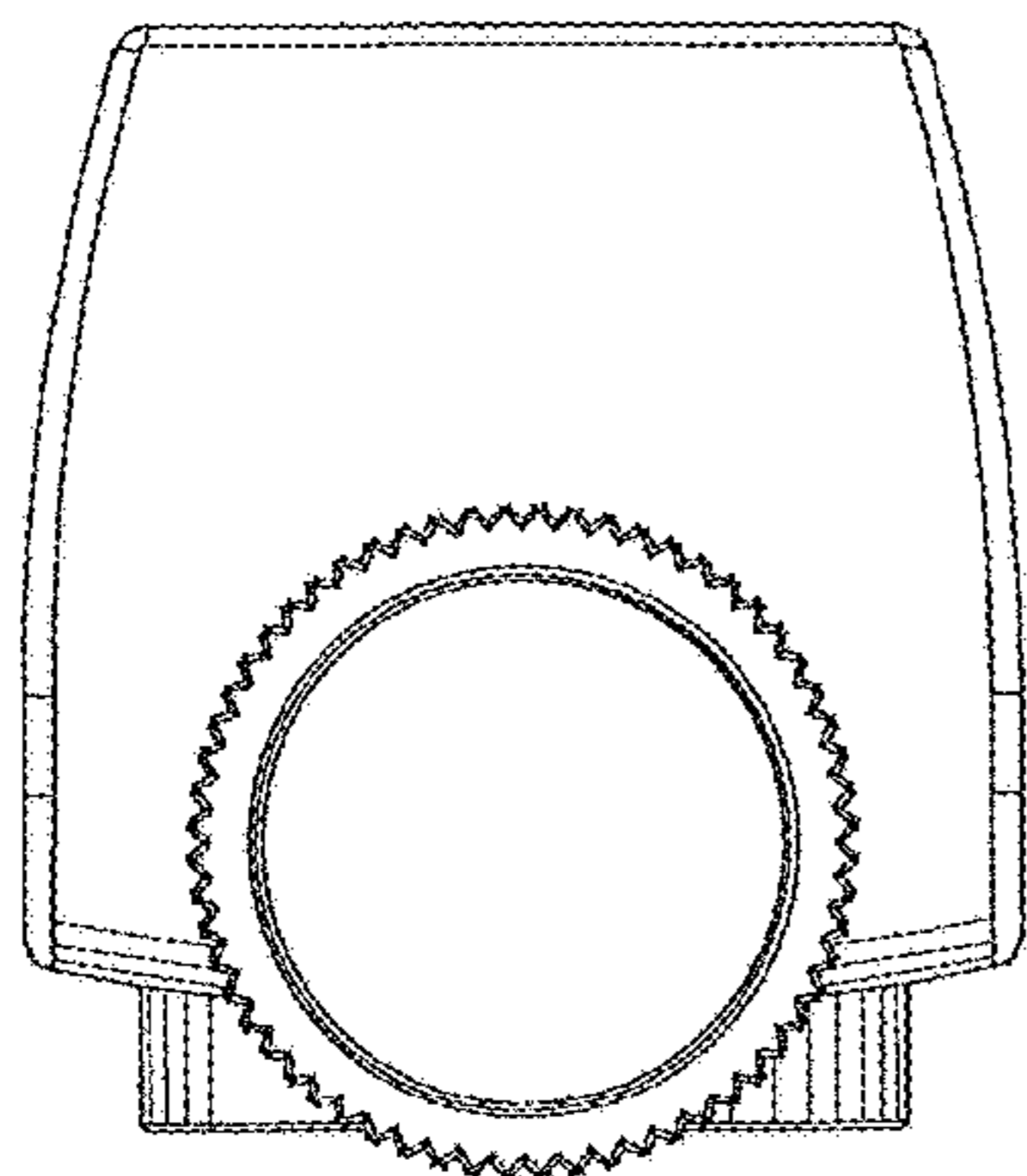


Fig. 6

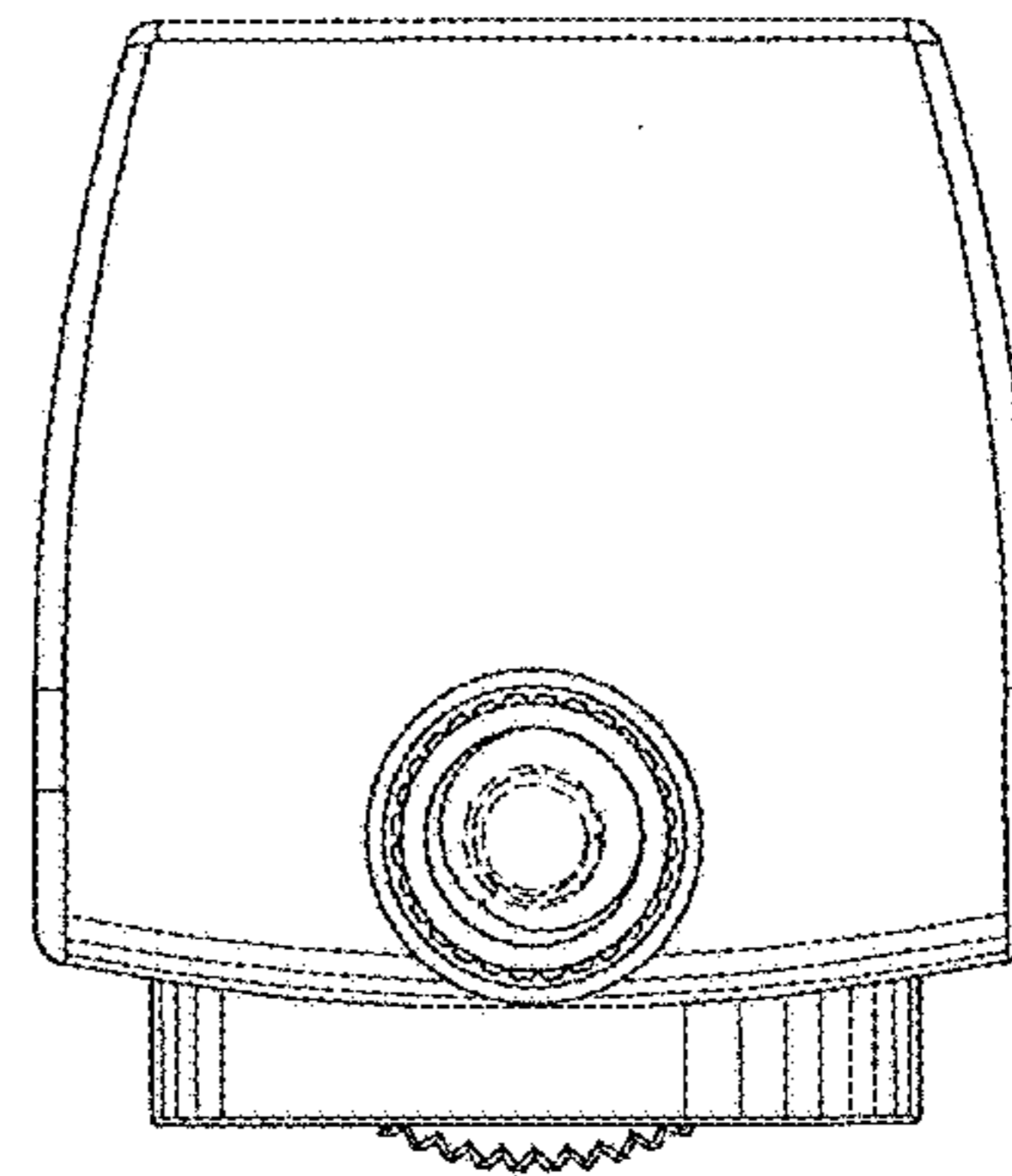


Fig. 7

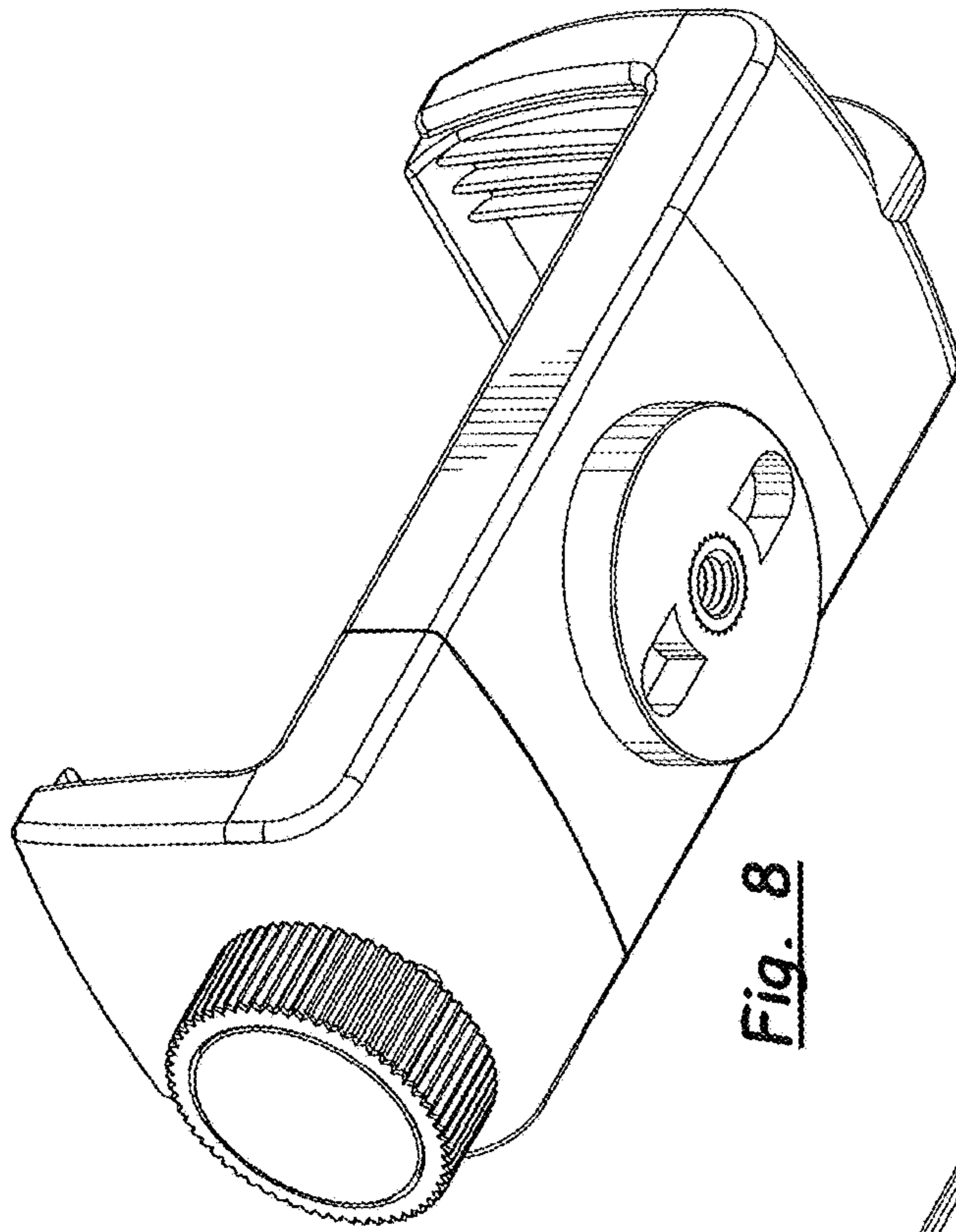


Fig. 8

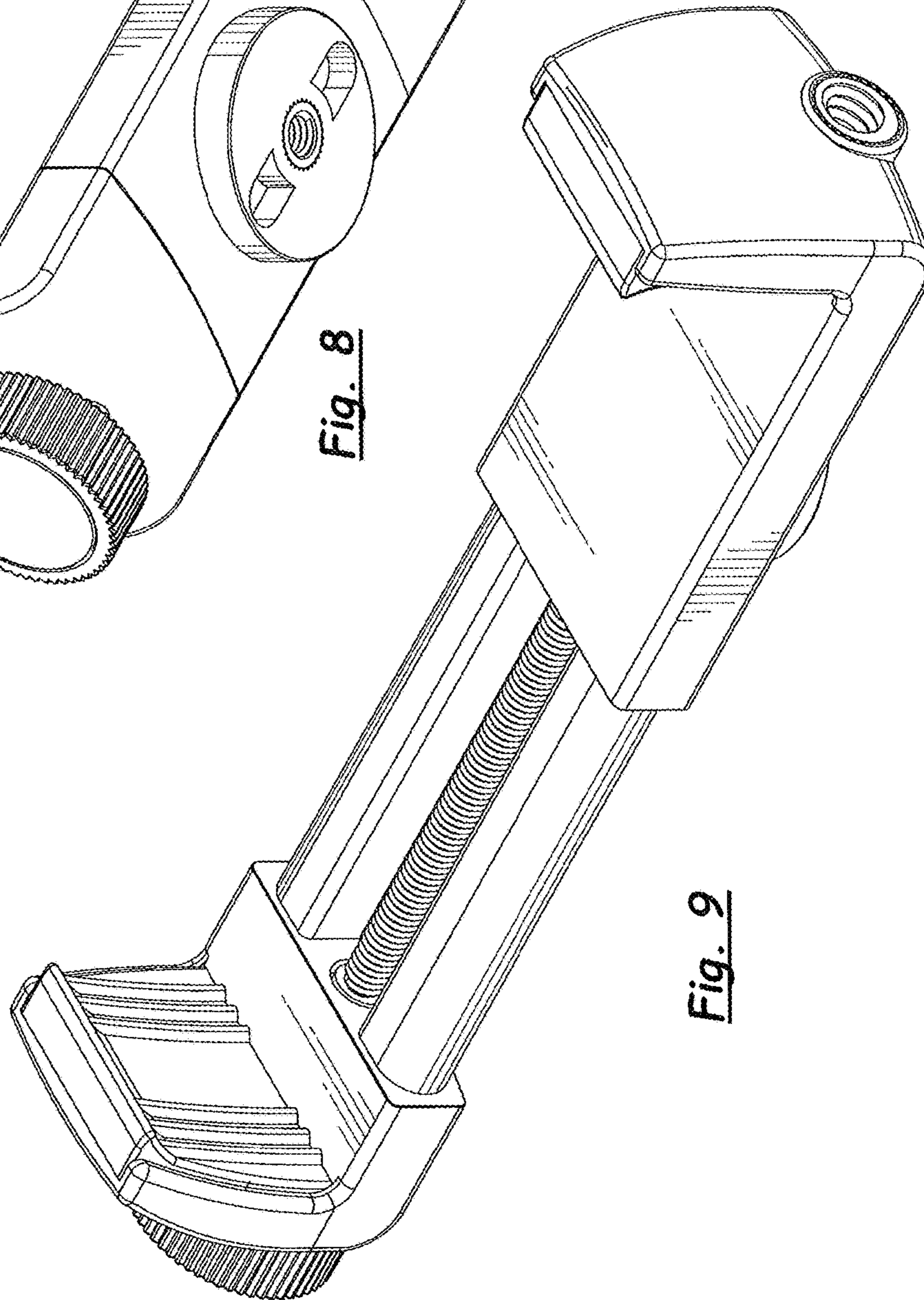


Fig. 9

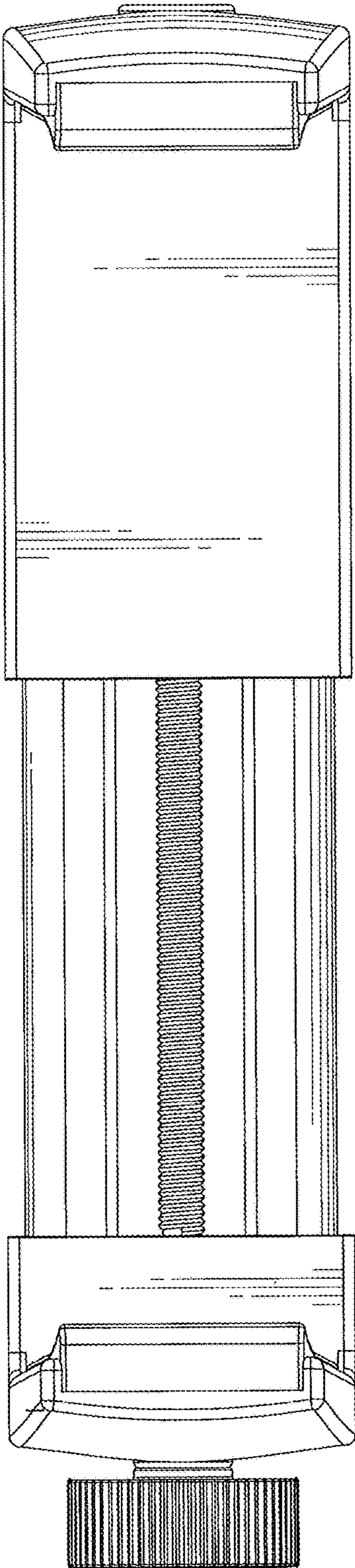


Fig. 10

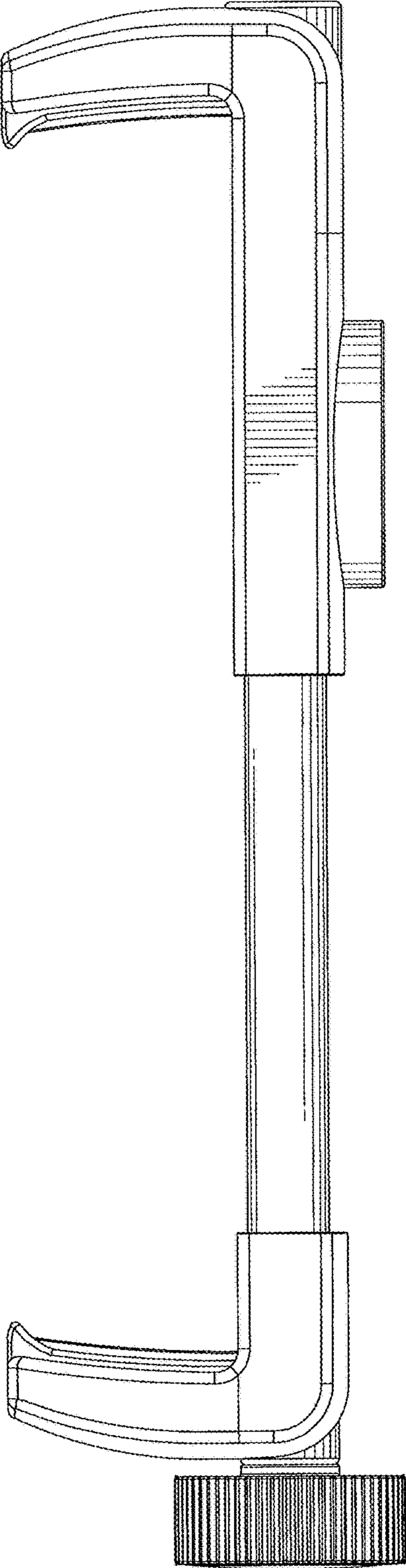


Fig. 11