



US00D827404S

(12) **United States Design Patent**
Schneider

(10) **Patent No.:** **US D827,404 S**

(45) **Date of Patent:** **** Sep. 4, 2018**

(54) **ROTARY POLISHER**

(71) Applicant: **SMART, INC.**, Gardena, CA (US)

(72) Inventor: **Paul Schneider**, Gardena, CA (US)

(73) Assignee: **SMART, INC.**, Gardena, CA (US)

(**) Term: **15 Years**

(21) Appl. No.: **29/615,696**

(22) Filed: **Aug. 30, 2017**

(51) **LOC (11) Cl.** **08-03**

(52) **U.S. Cl.**
USPC **D8/62**

(58) **Field of Classification Search**
USPC D8/69, 68, 67, 66, 64, 61, 70; 83/698.41,
83/747, 166.3, 374, 373, 375, 376, 391,
83/377, 390, 388, 389; 125/13.01;
144/218; D21/532
CPC B24B 23/028; B24B 47/12; B24B 7/186;
B25F 5/001; B25F 5/02
See application file for complete search history.

(56) **References Cited**

U.S. PATENT DOCUMENTS

D587,081 S *	2/2009	Steinfels	D8/62
D602,756 S *	10/2009	Henssler	D8/61
D606,828 S *	12/2009	Misaki	D8/62
D685,240 S *	7/2013	Waldron	D8/62

D685,241 S *	7/2013	Waldron	D8/62
D710,171 S *	8/2014	Aglassinger	D8/62
D715,616 S *	10/2014	Aglassinger	D8/62
D746,118 S *	12/2015	Xu	D8/62
D784,782 S *	4/2017	Fahrner	D8/62
D787,908 S *	5/2017	Hebert	D8/62
D790,299 S *	6/2017	Waldron	D8/62
D813,631 S *	3/2018	Croghan	D8/62

* cited by examiner

Primary Examiner — Austin Murphy

(74) *Attorney, Agent, or Firm* — Hackler Daghighian
Martino & Novak

(57) **CLAIM**

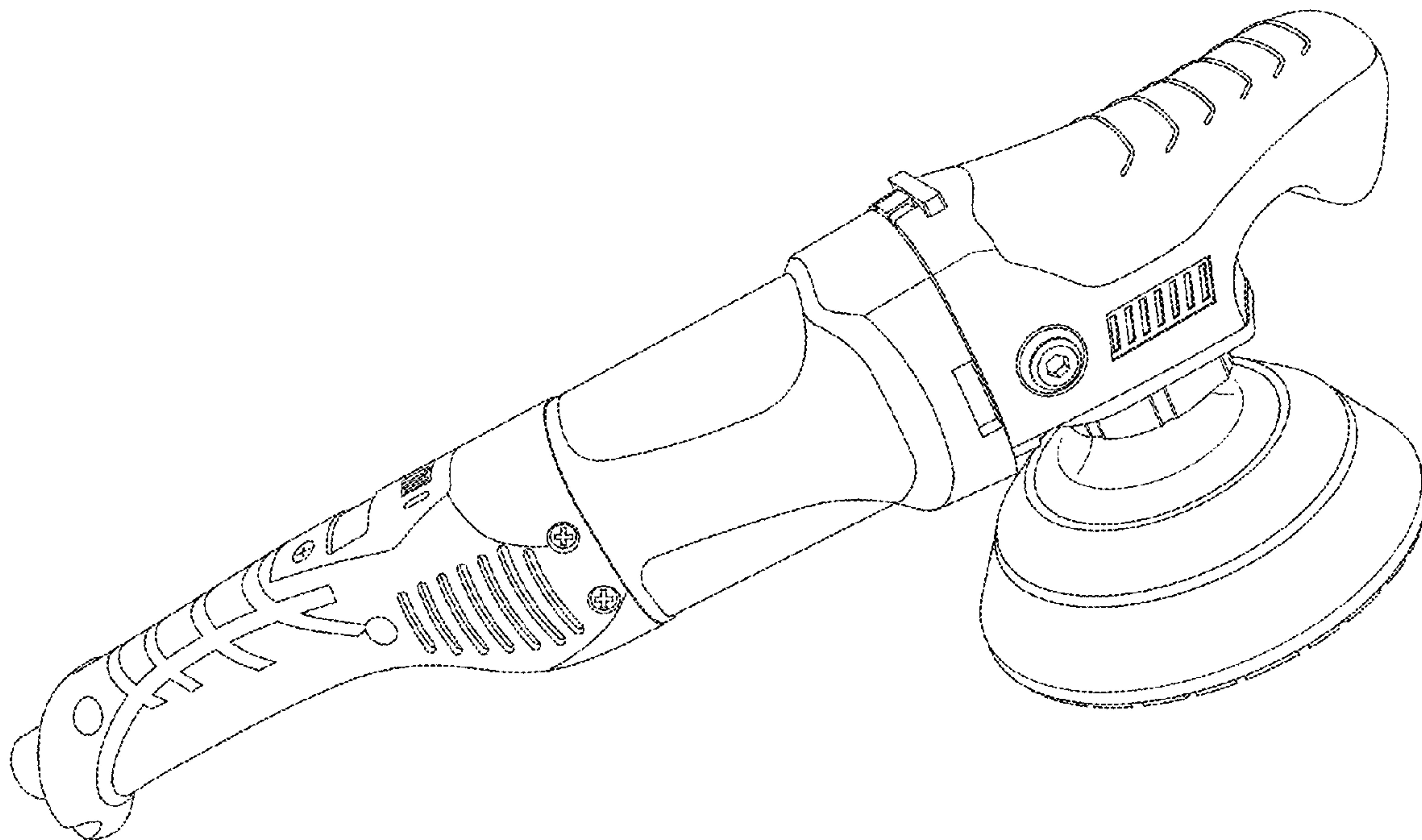
The ornamental design for a rotary polisher, as shown and described.

DESCRIPTION

FIG. 1 is a right side perspective view of a rotary polisher showing my new design;
FIG. 2 is a right side view thereof;
FIG. 3 is a left side view thereof;
FIG. 4 is a top view thereof;
FIG. 5 is a bottom view thereof;
FIG. 6 is a front view thereof; and,
FIG. 7 is a back view thereof.

The broken lines depict portions of the rotary polisher in which the design is embodied that form no part of the claimed design. All surfaces and all sides not shown form no part of the claimed design.

1 Claim, 4 Drawing Sheets



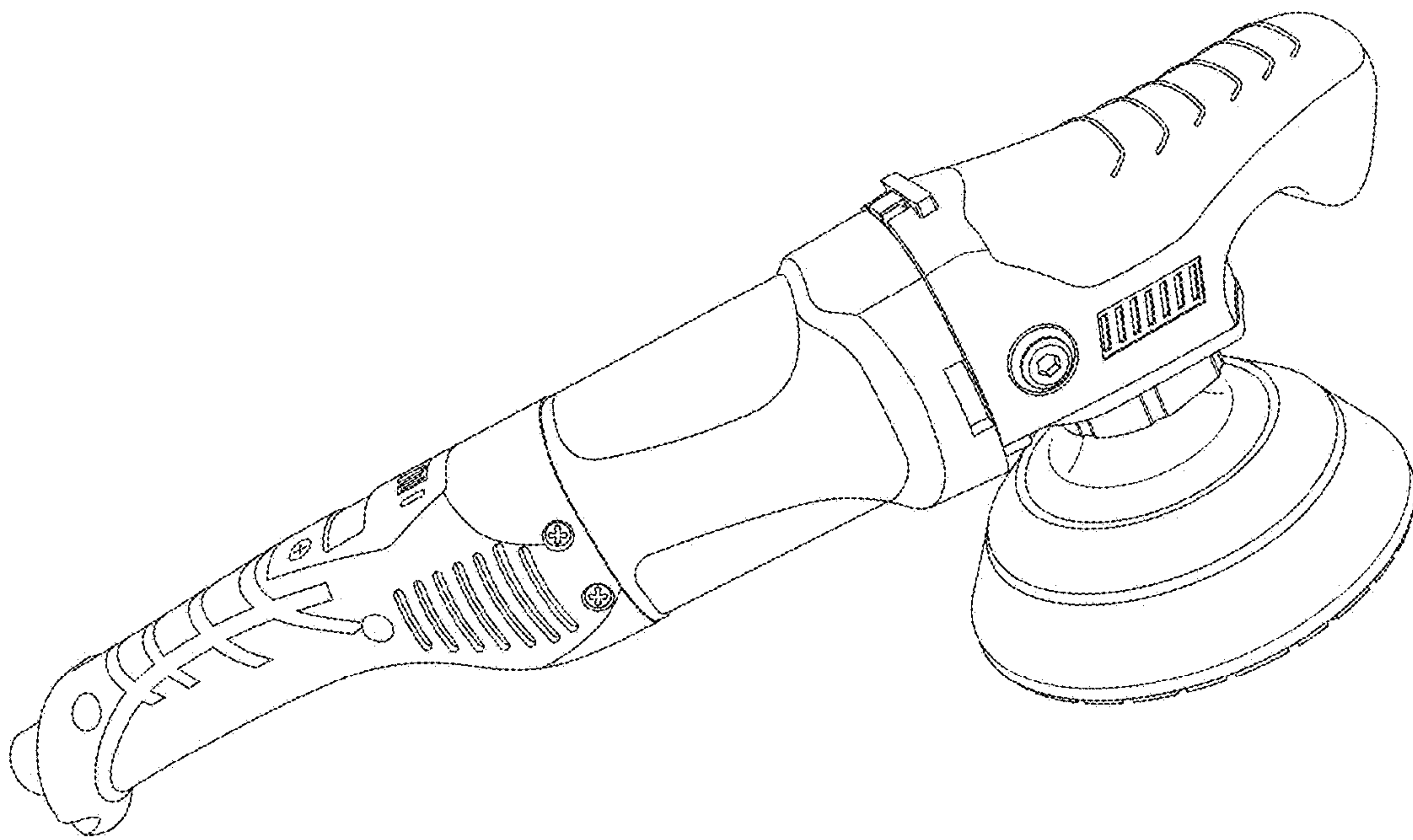


FIG. 1

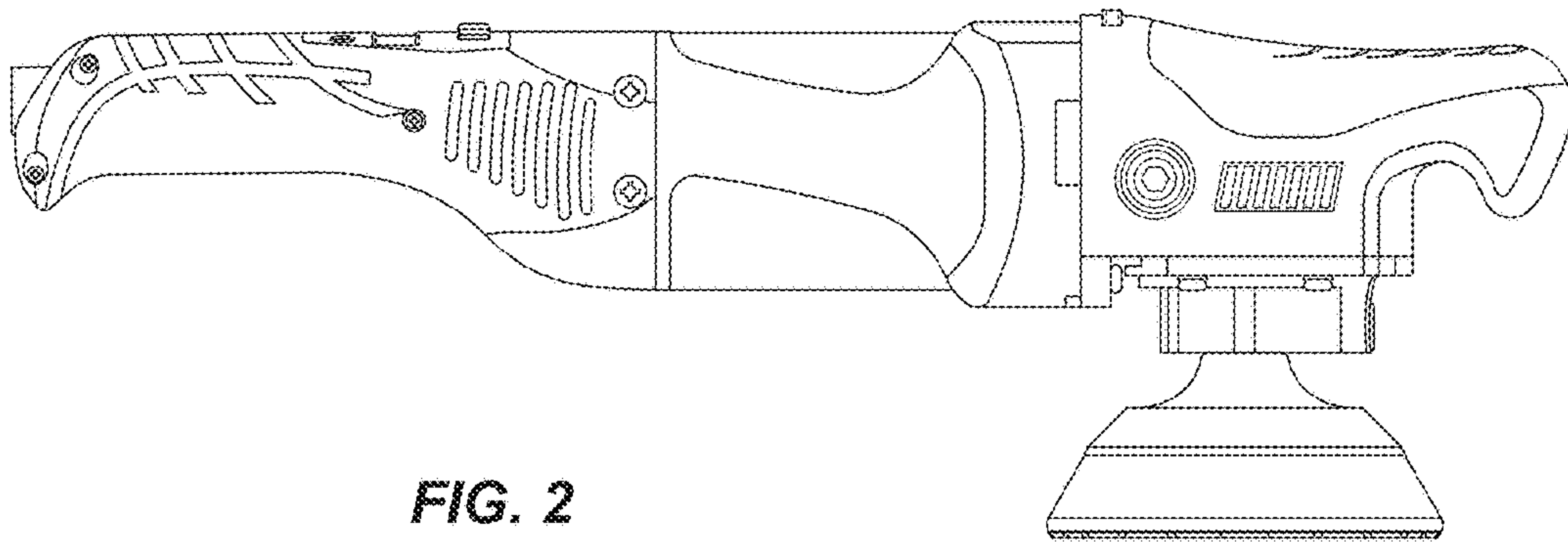


FIG. 2

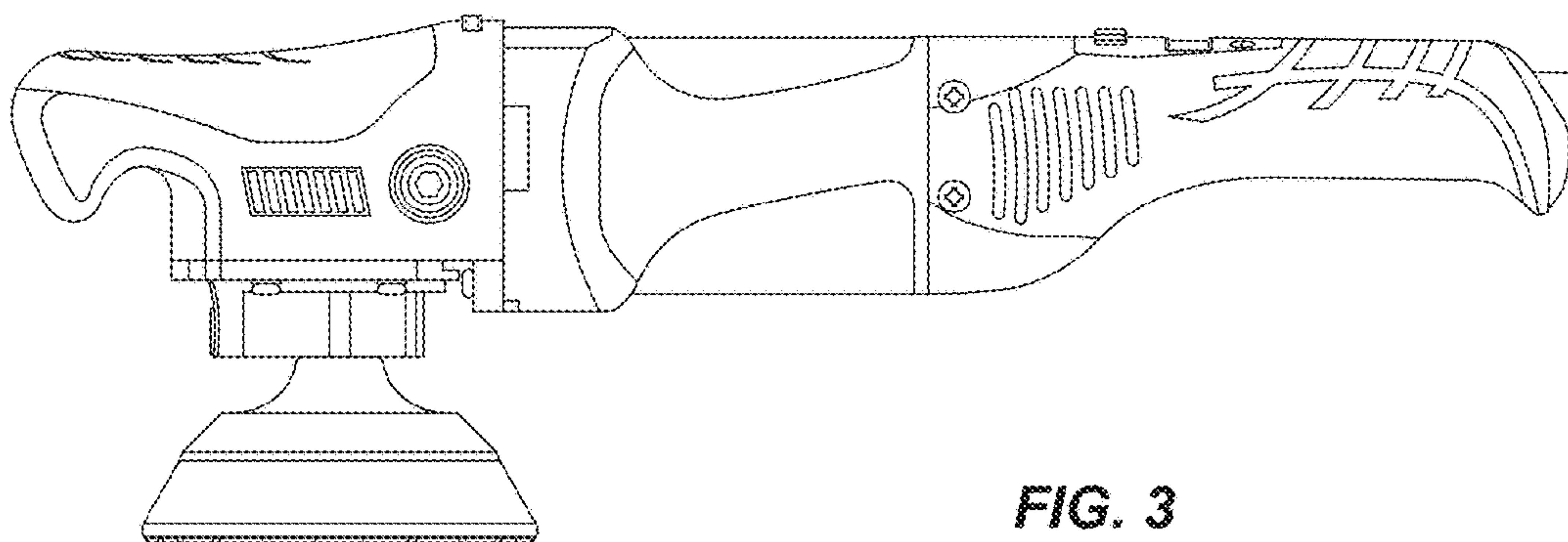


FIG. 3

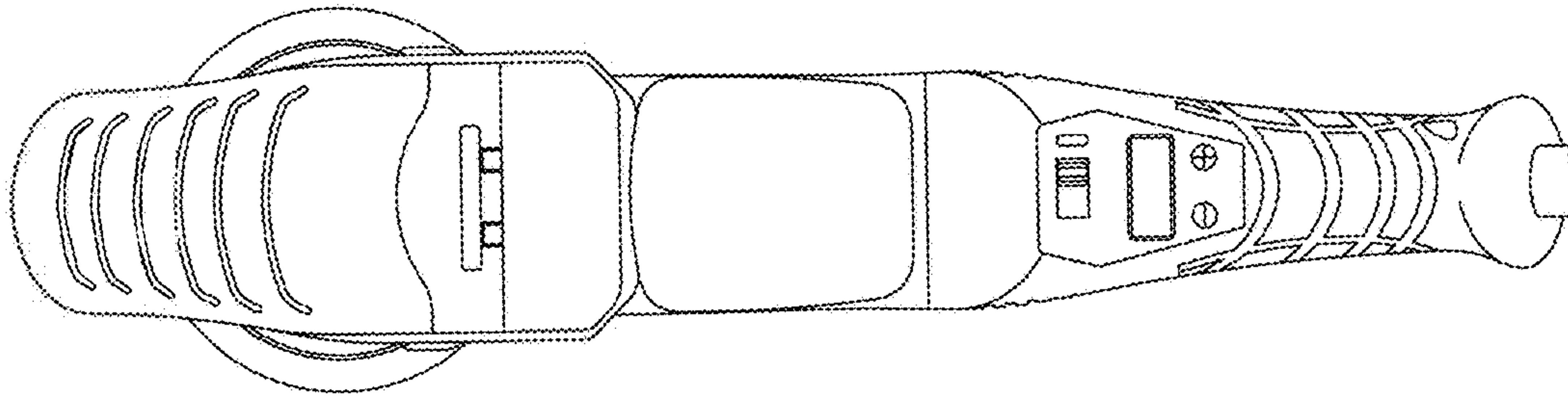


FIG. 4

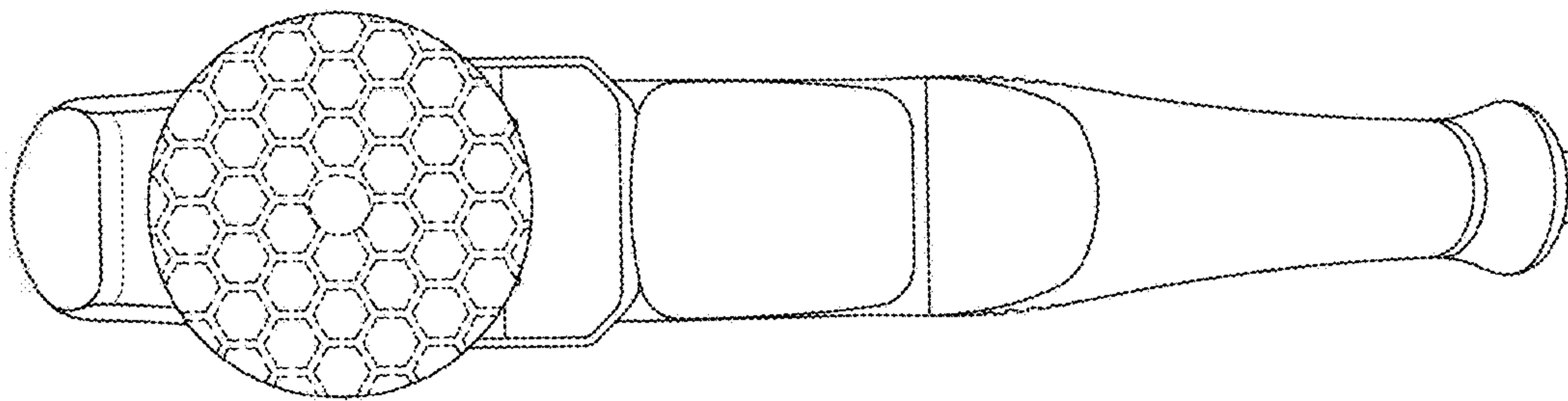


FIG. 5

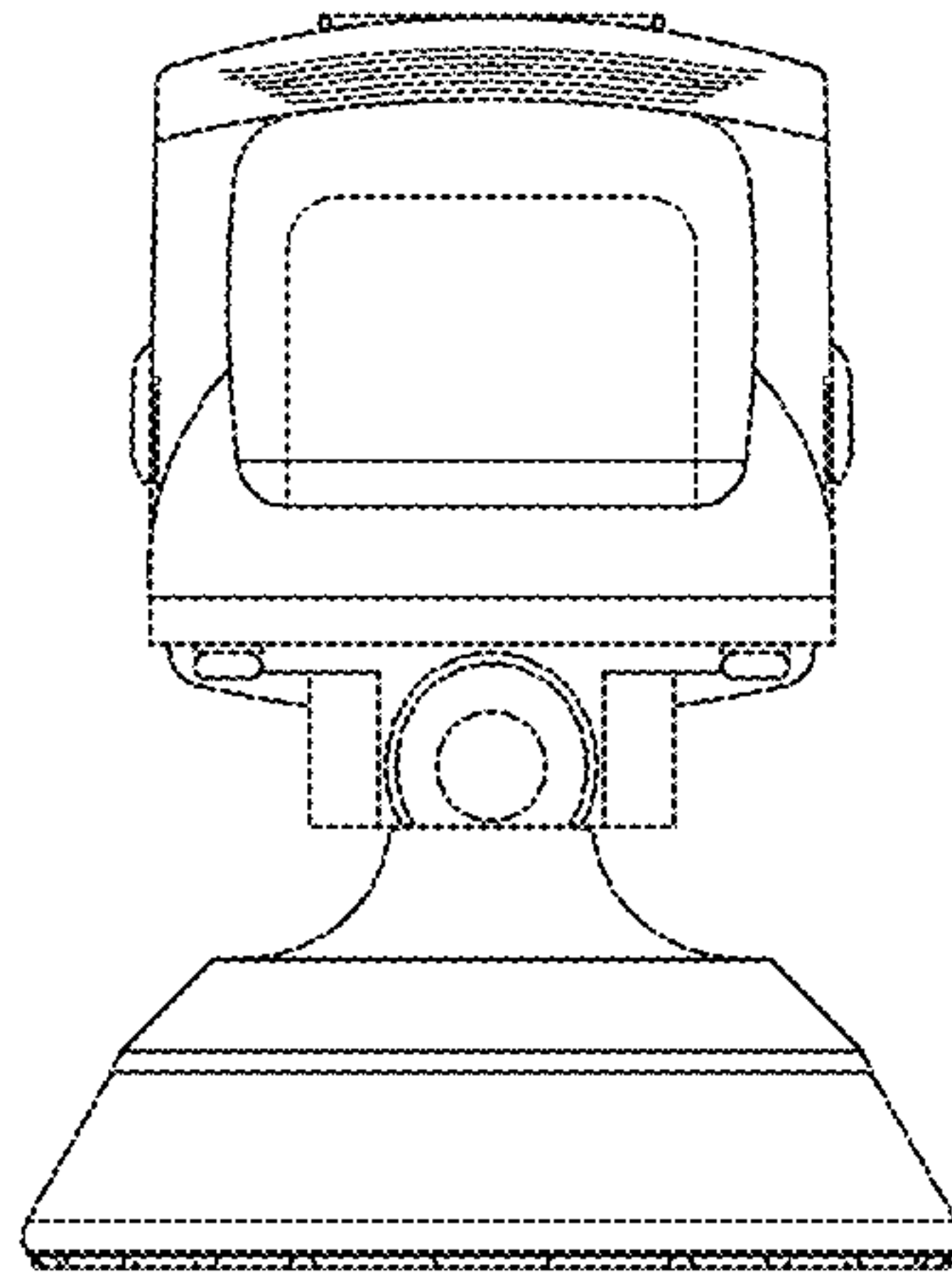


FIG. 6

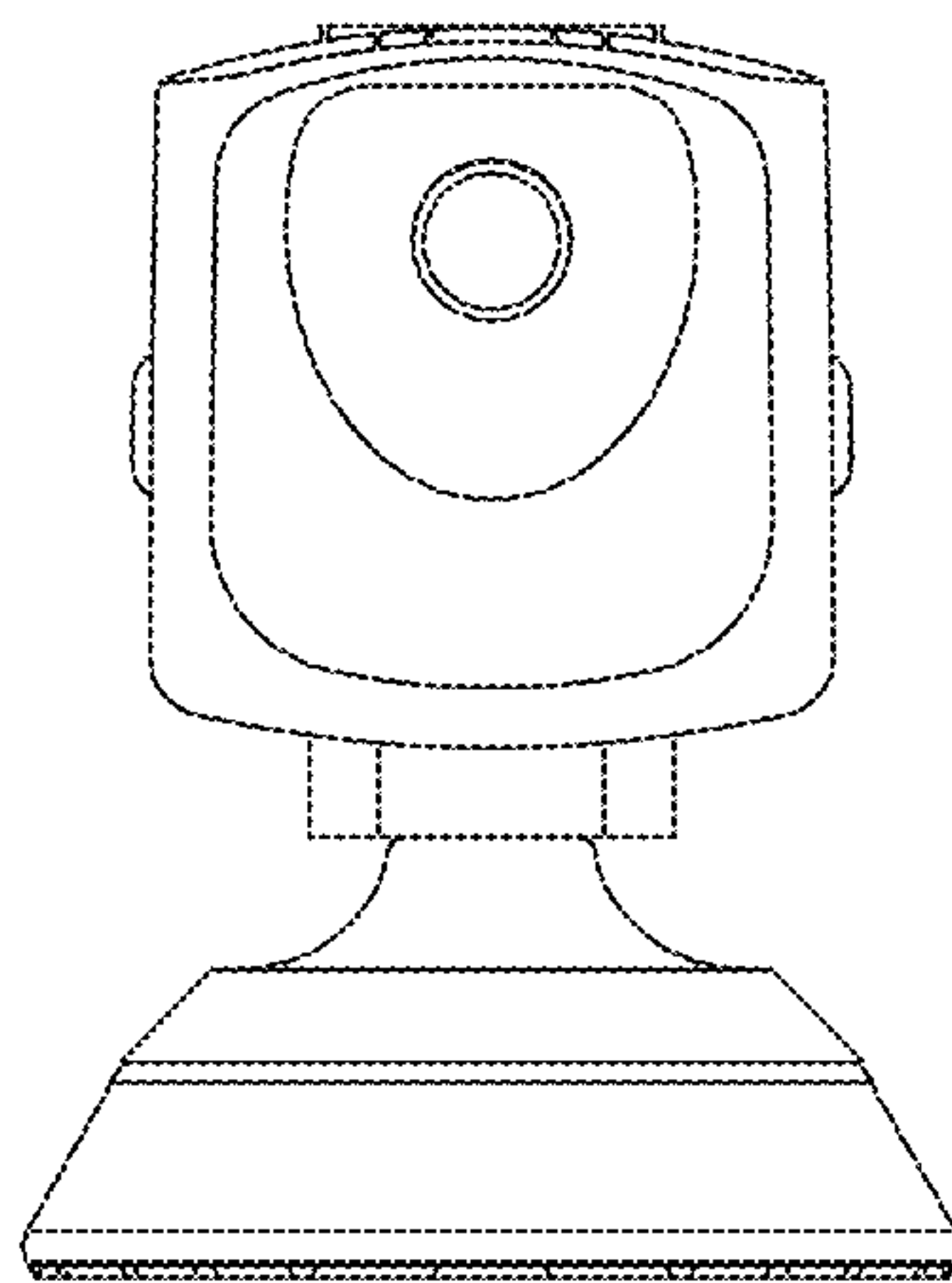


FIG. 7